



US00D370576S

United States Patent [19]

Lechman et al.

[11] Patent Number: **Des. 370,576**

[45] Date of Patent: ****Jun. 11, 1996**

- [54] HUTCH
- [75] Inventors: **John N. Lechman; Thomas Wegman,**
both of Effingham, Ill.
- [73] Assignee: **Nova Office Furniture, Inc.,**
Effingham, Ill.
- [**] Term: **14 Years**
- [21] Appl. No.: **653,444**
- [22] Filed: **Feb. 5, 1991**
- [52] U.S. Cl. **D6/476; D6/467; D19/90**
- [58] Field of Search **D6/449, 476, 466,**
D6/467, 477-479; D19/90, 91; 211/189,
45, 13; 108/108, 111

4,801,022 1/1989 Colby 211/45 X
 4,949,853 8/1990 Klein et al. 108/111 X

OTHER PUBLICATIONS

Global Equipment Co. Catalog, ©1974, p. 88, "Desk Organizers" Model No. 300416.

Primary Examiner—Jeffrey Asch
Attorney, Agent, or Firm—Olson & Hierl, Ltd.

[57] CLAIM

The ornamental design for a hutch, as shown and described.

DESCRIPTION

FIG. 1 is a perspective view of a hutch showing our new design;
 FIG. 2 is a right side elevational view, the left side being a mirror image thereof;
 FIG. 3 is a top plan view;
 FIG. 4 is a front elevational view; and,
 FIG. 5 is a rear elevational view thereof.

[56] **References Cited**
U.S. PATENT DOCUMENTS

- D. 217,775 6/1970 Pond D6/476
- D. 264,894 6/1982 Halder D6/476 X
- 4,410,093 10/1983 Chiariello et al. 211/189 X

1 Claim, 1 Drawing Sheet

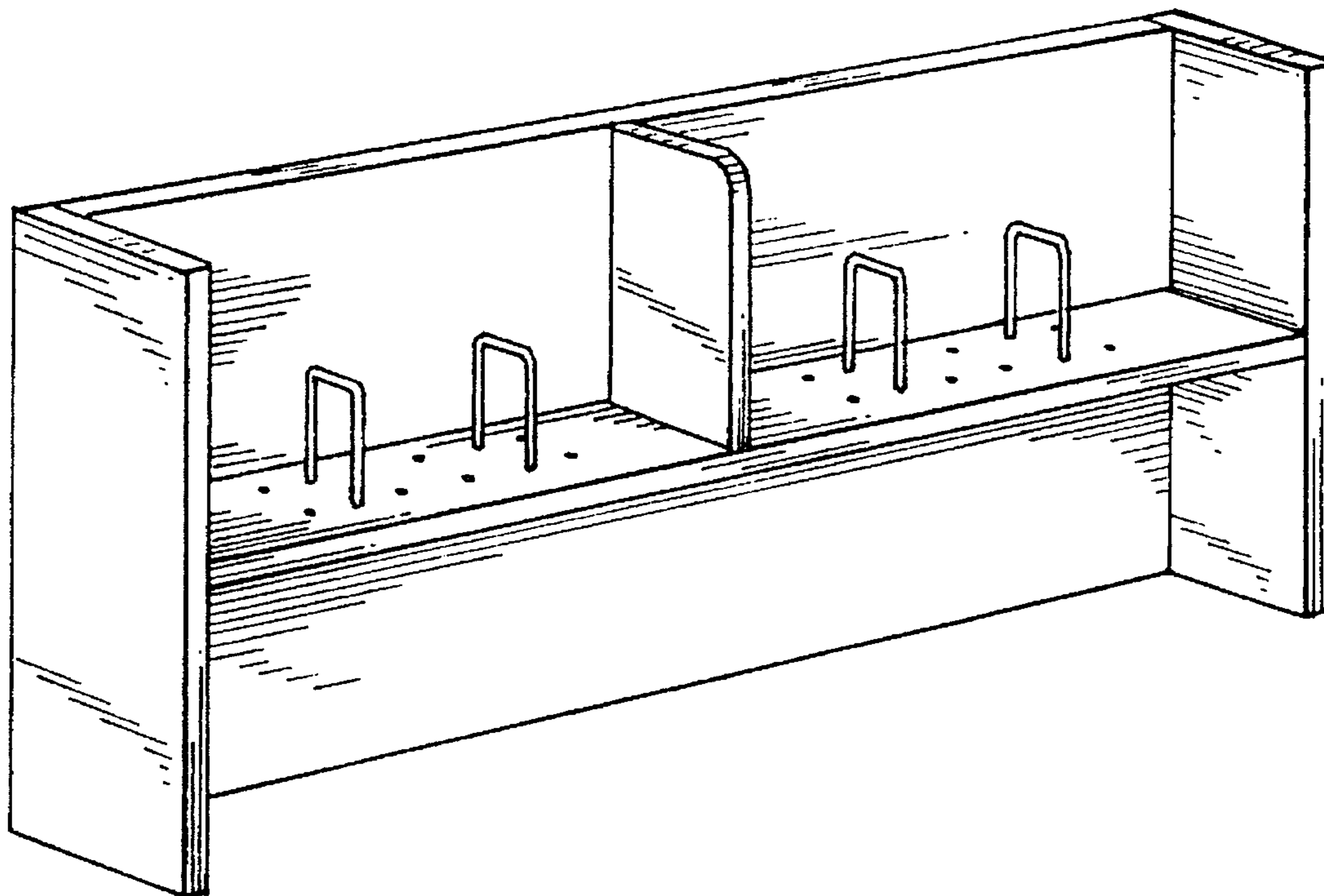


FIG. 1

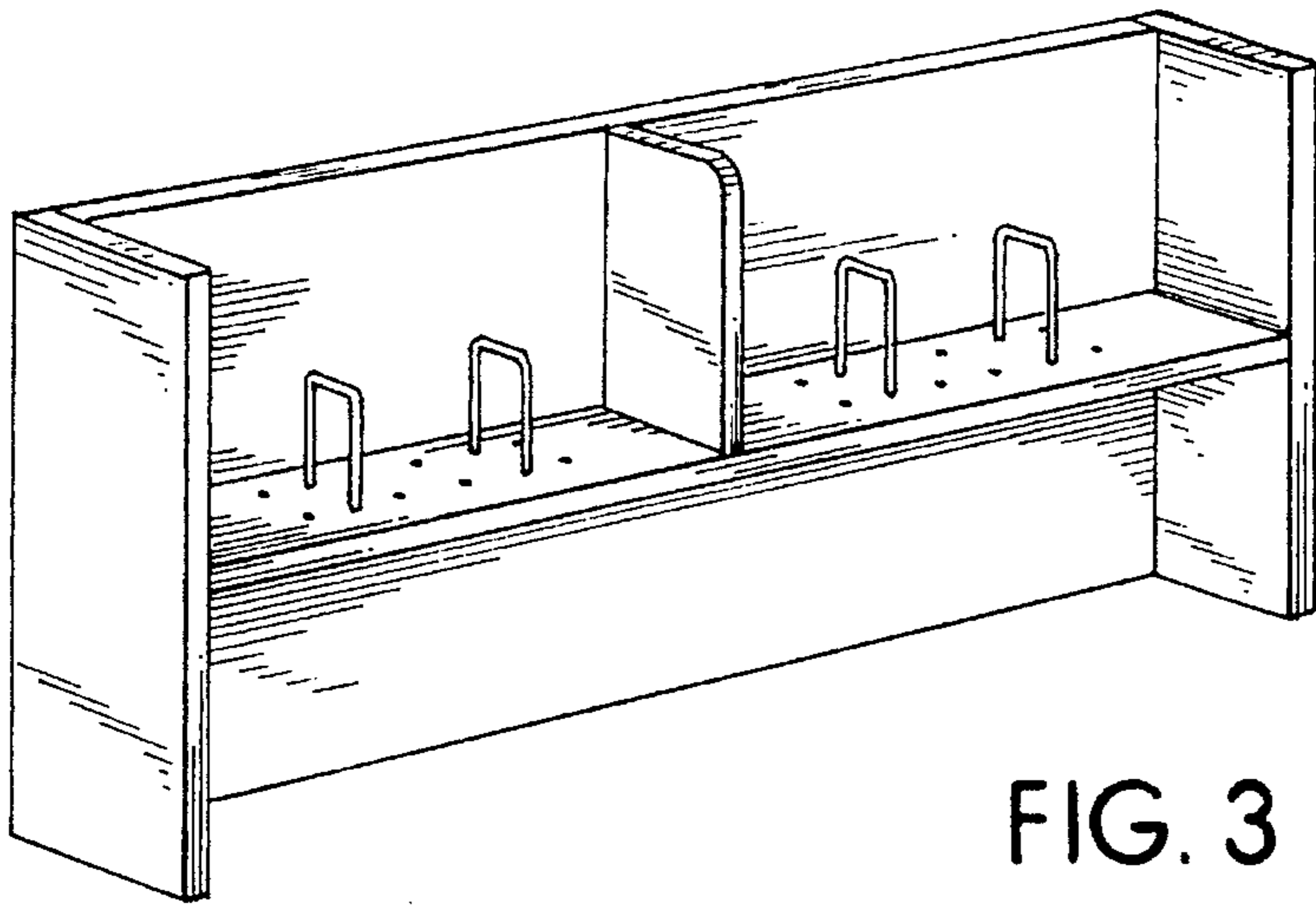


FIG. 2

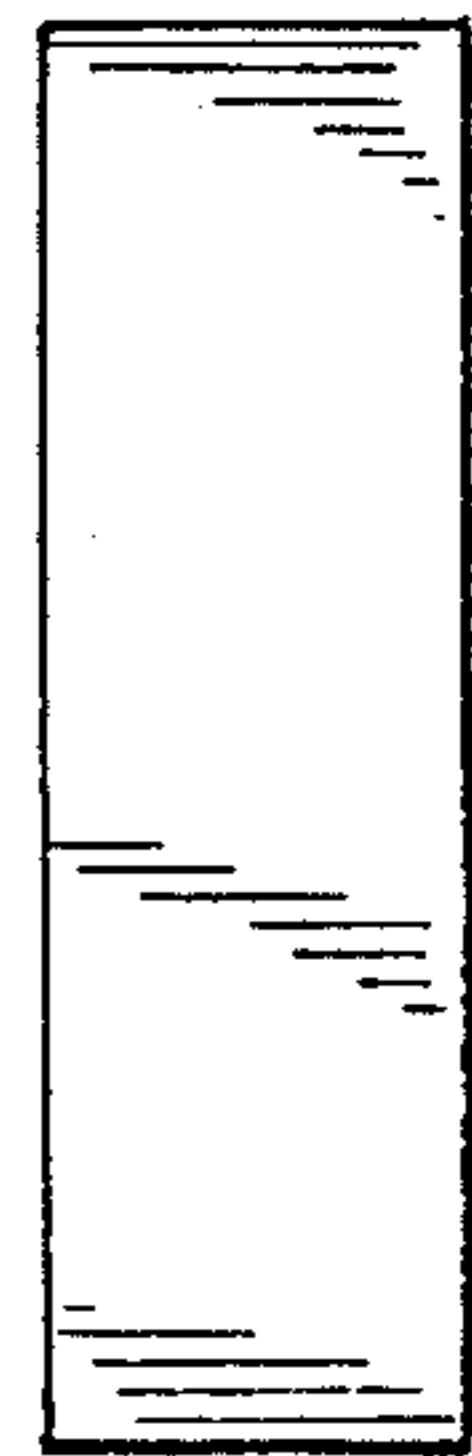


FIG. 3

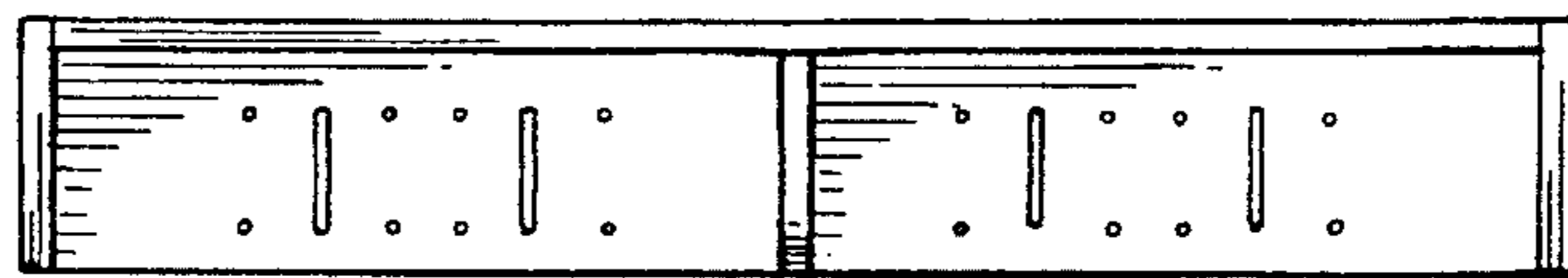


FIG. 4

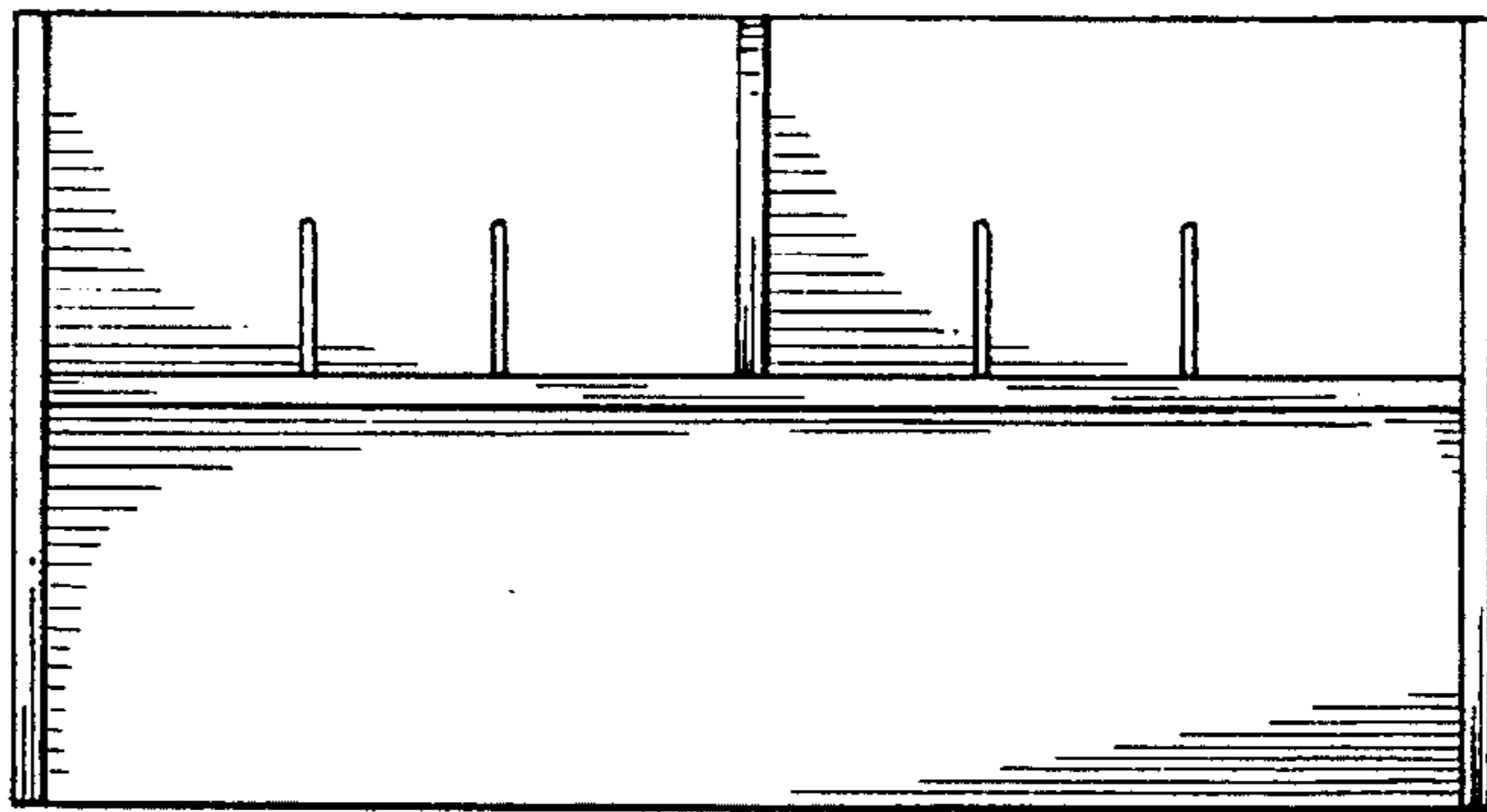


FIG. 5

