



US00D370575S

# United States Patent [19]

Lechleiter et al.

[11] Patent Number: **Des. 370,575**

[45] Date of Patent: **\*\*Jun. 11, 1996**

[54] **MONITOR AND KEYBOARD STAND**

[75] Inventors: **Paul R. Lechleiter, Powell; Mark B. Artus, Beechwold, both of Ohio**

[73] Assignee: **Blockbuster Entertainment Inc., Ft. Lauderdale, Fla.**

[\*\*] Term: **14 Years**

[21] Appl. No.: **36,262**

[22] Filed: **Mar. 16, 1995**

[52] U.S. Cl. .... **D6/475**

[58] Field of Search ..... D6/470, 471, 472, D6/473, 474, 475, 449; 312/33, 114, 116; 248/441.1

[56] **References Cited**

**U.S. PATENT DOCUMENTS**

D. 252,729	8/1979	Leahy, Jr. ....	D6/449	X
827,913	8/1906	Jensen .....	312/33	X
3,405,985	10/1968	Higer .....	312/114	

*Primary Examiner*—Alan P. Douglas  
*Assistant Examiner*—S. Snapp  
*Attorney, Agent, or Firm*—Akin, Gump, Strauss, Hauer & Feld

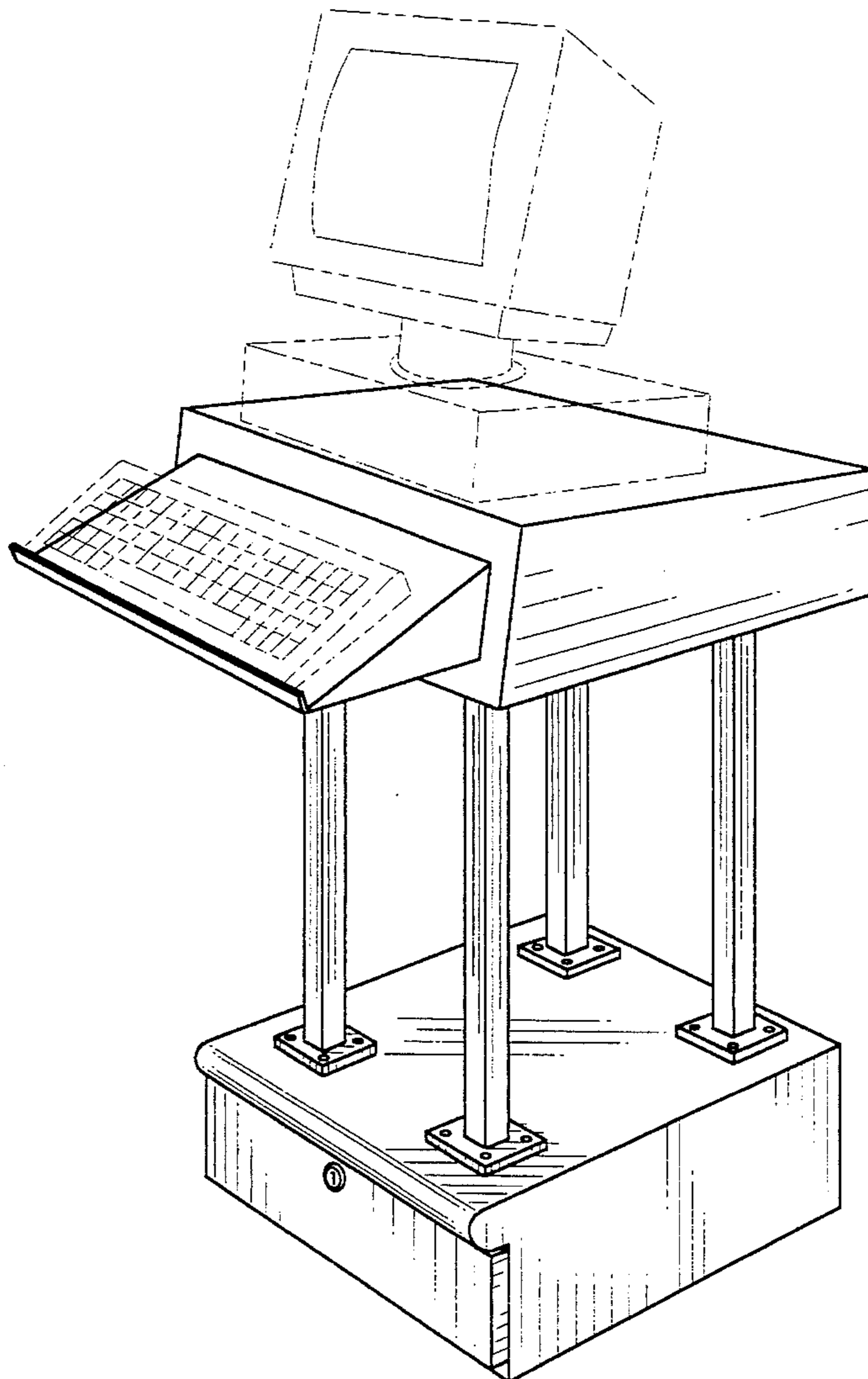
[57] **CLAIM**

The ornamental design for a monitor and keyboard stand, as shown and described.

**DESCRIPTION**

FIG. 1 is a perspective view of a monitor and keyboard stand showing our new design; FIG. 2 is a left side elevational view thereof; FIG. 3 is a front elevational view thereof; FIG. 4 is a top plan view thereof; FIG. 5 is a right side elevational view thereof; FIG. 6 is a rear elevational view thereof; and, FIG. 7 is a bottom plan view thereof. The broken line showing of a computer and keyboard is for illustrative purposes only and forms no part of the claimed design.

**1 Claim, 3 Drawing Sheets**



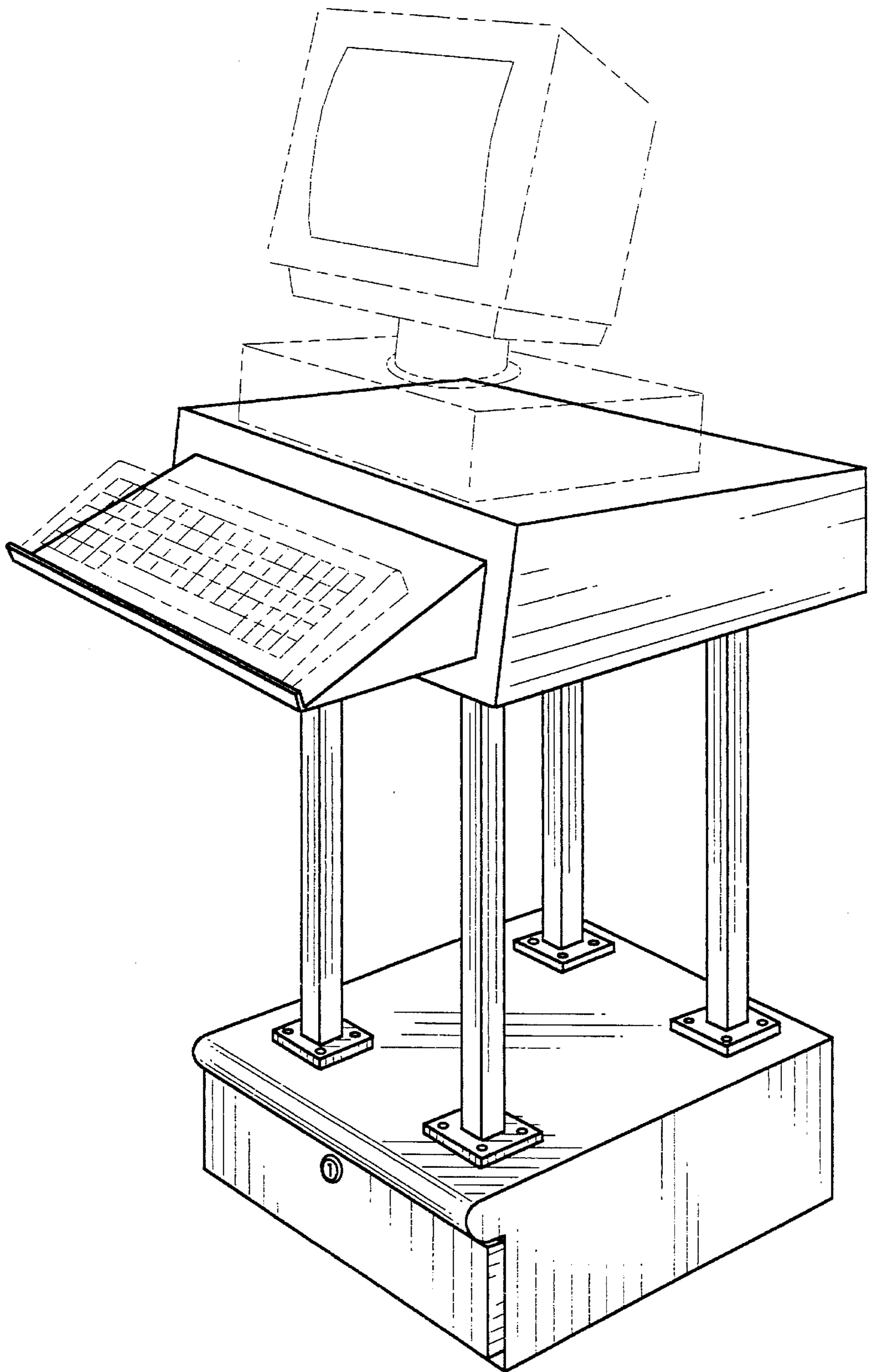


Fig. 1

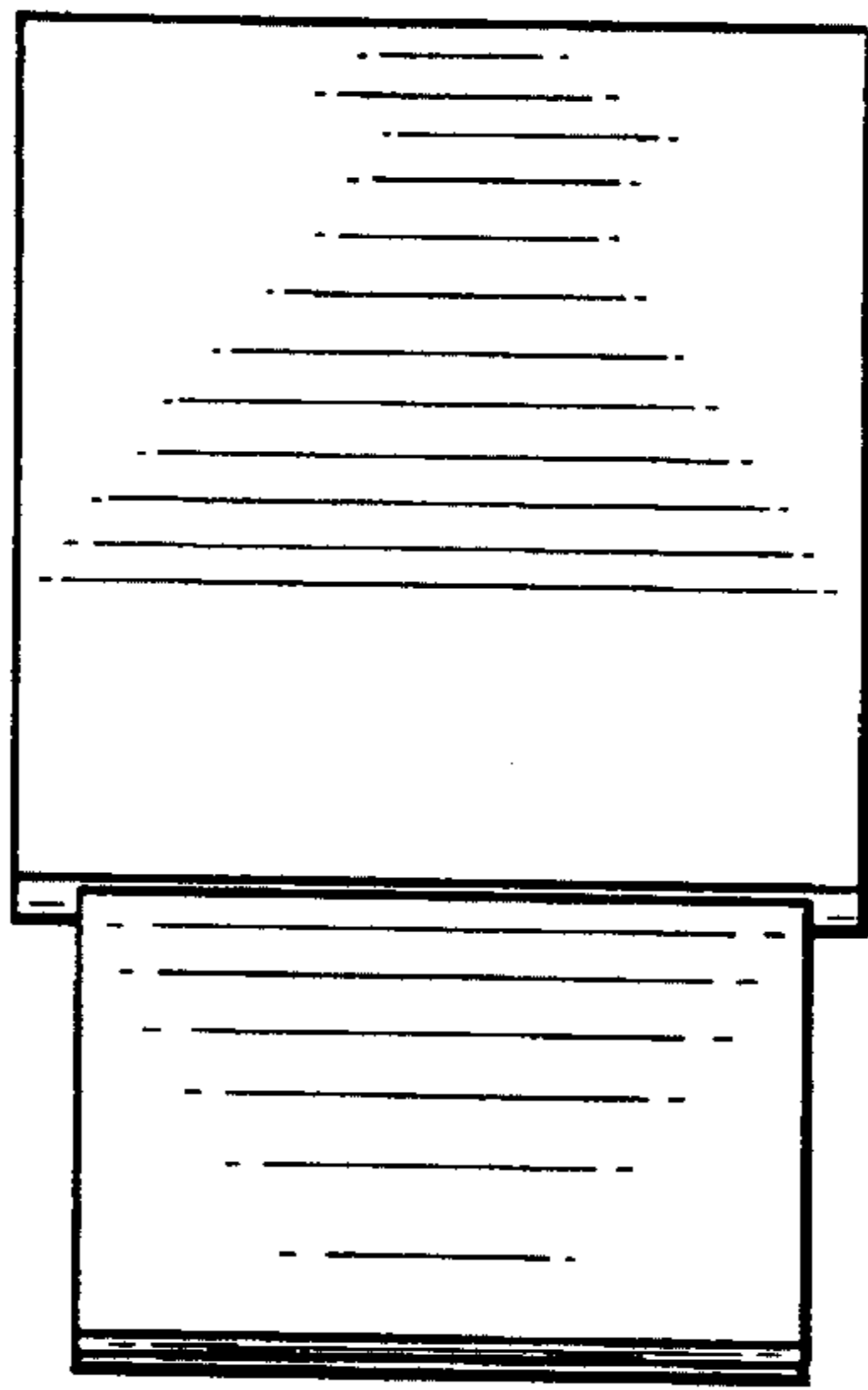


Fig. 4

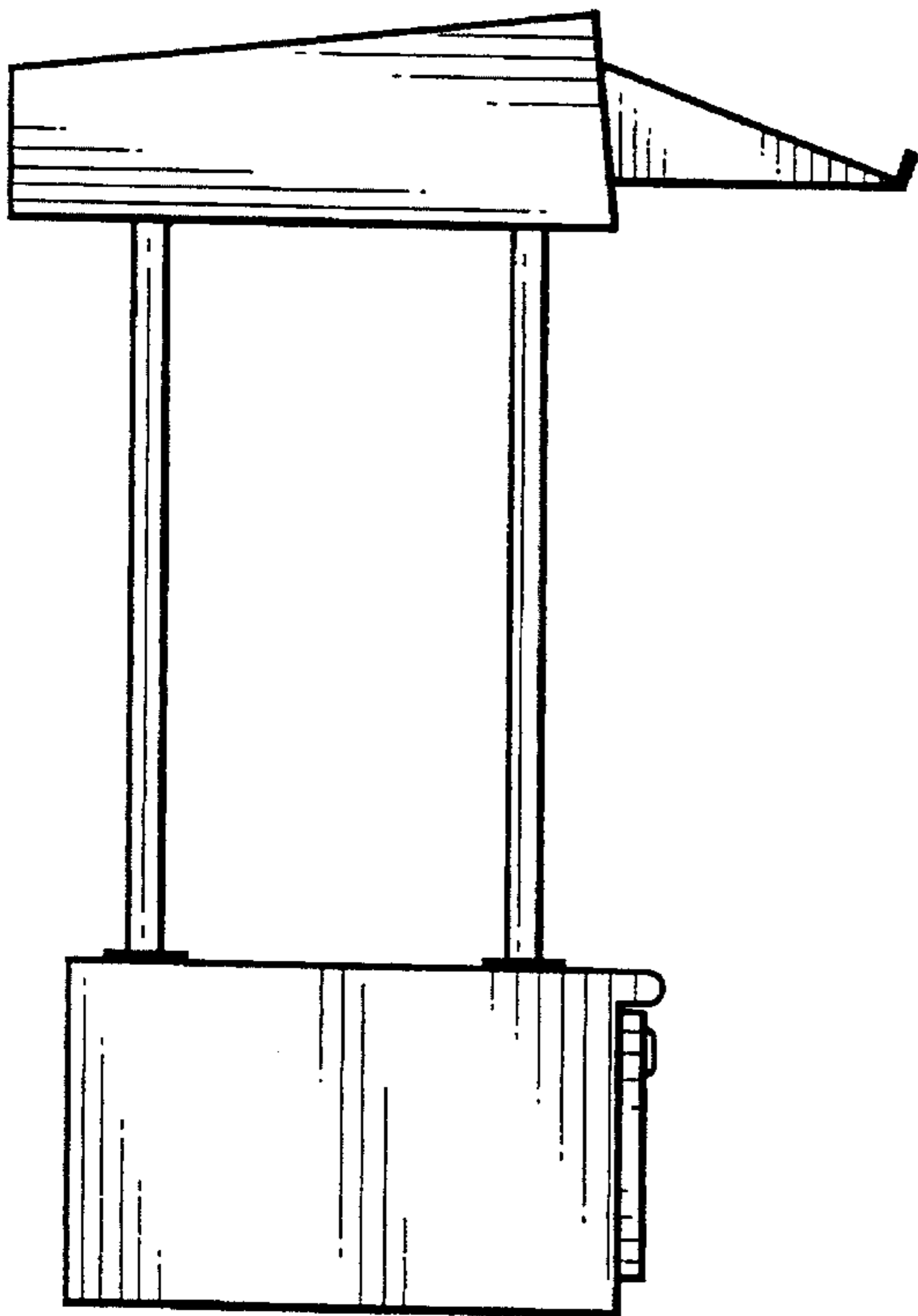


Fig. 2

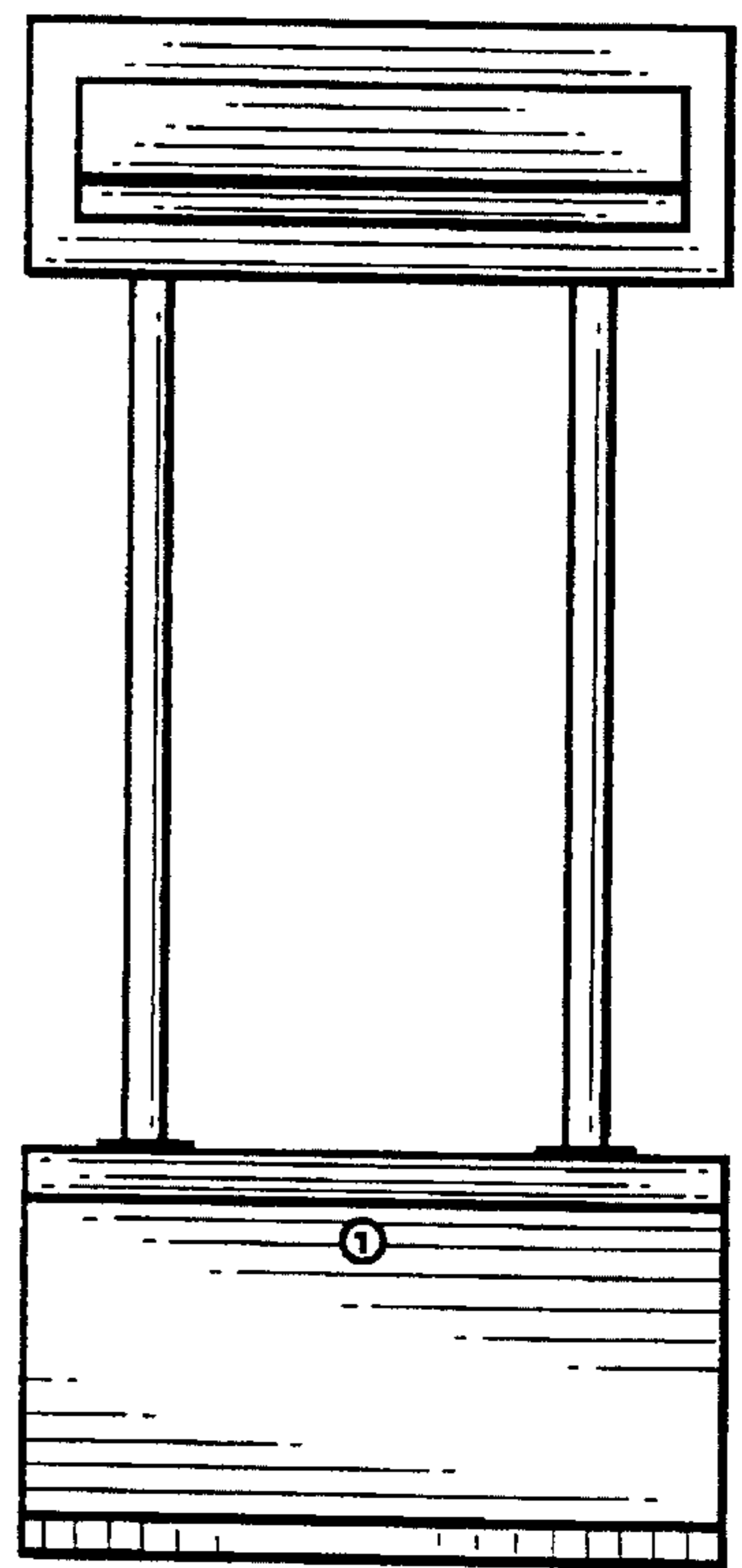


Fig. 3

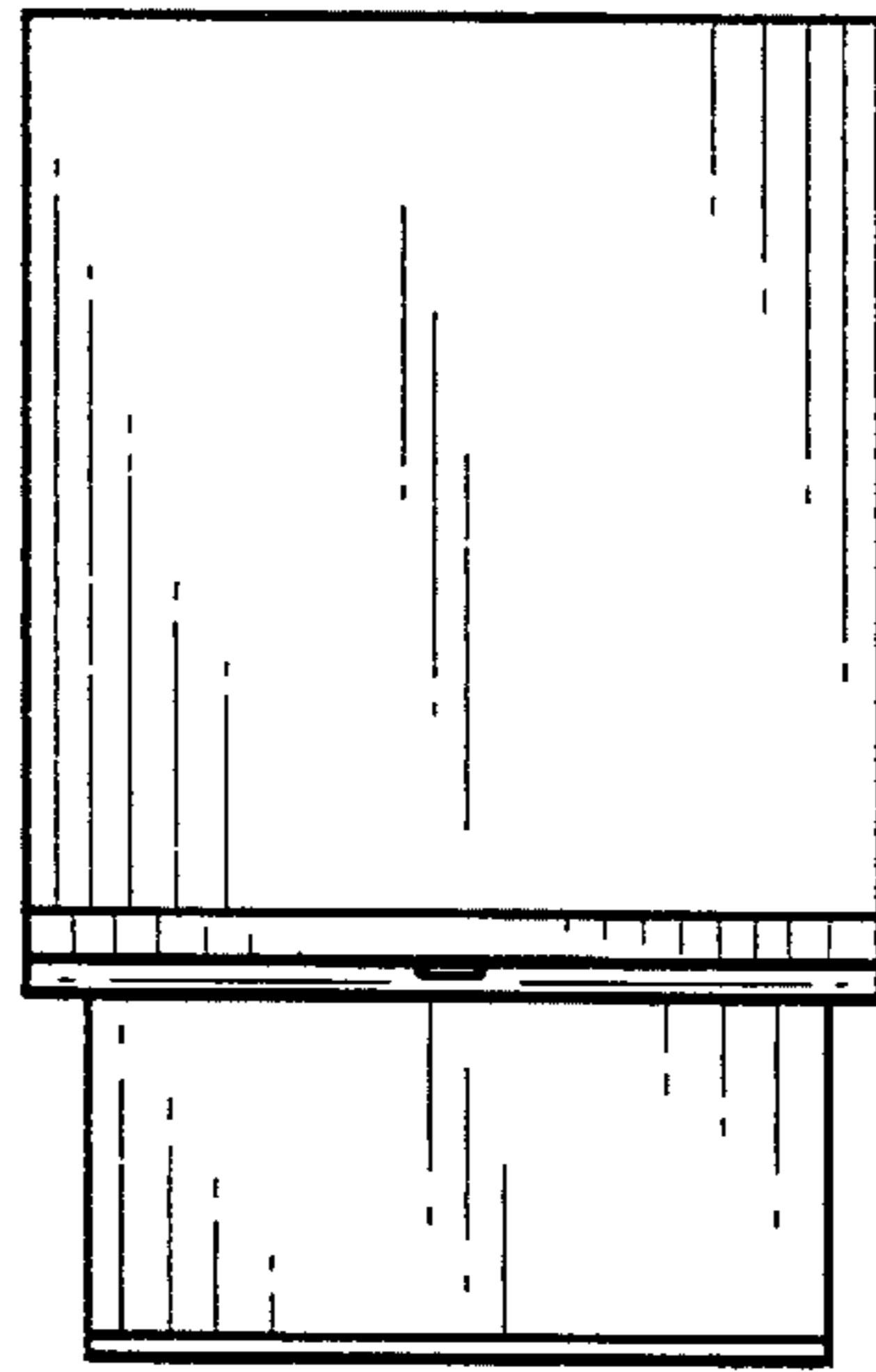


Fig. 7

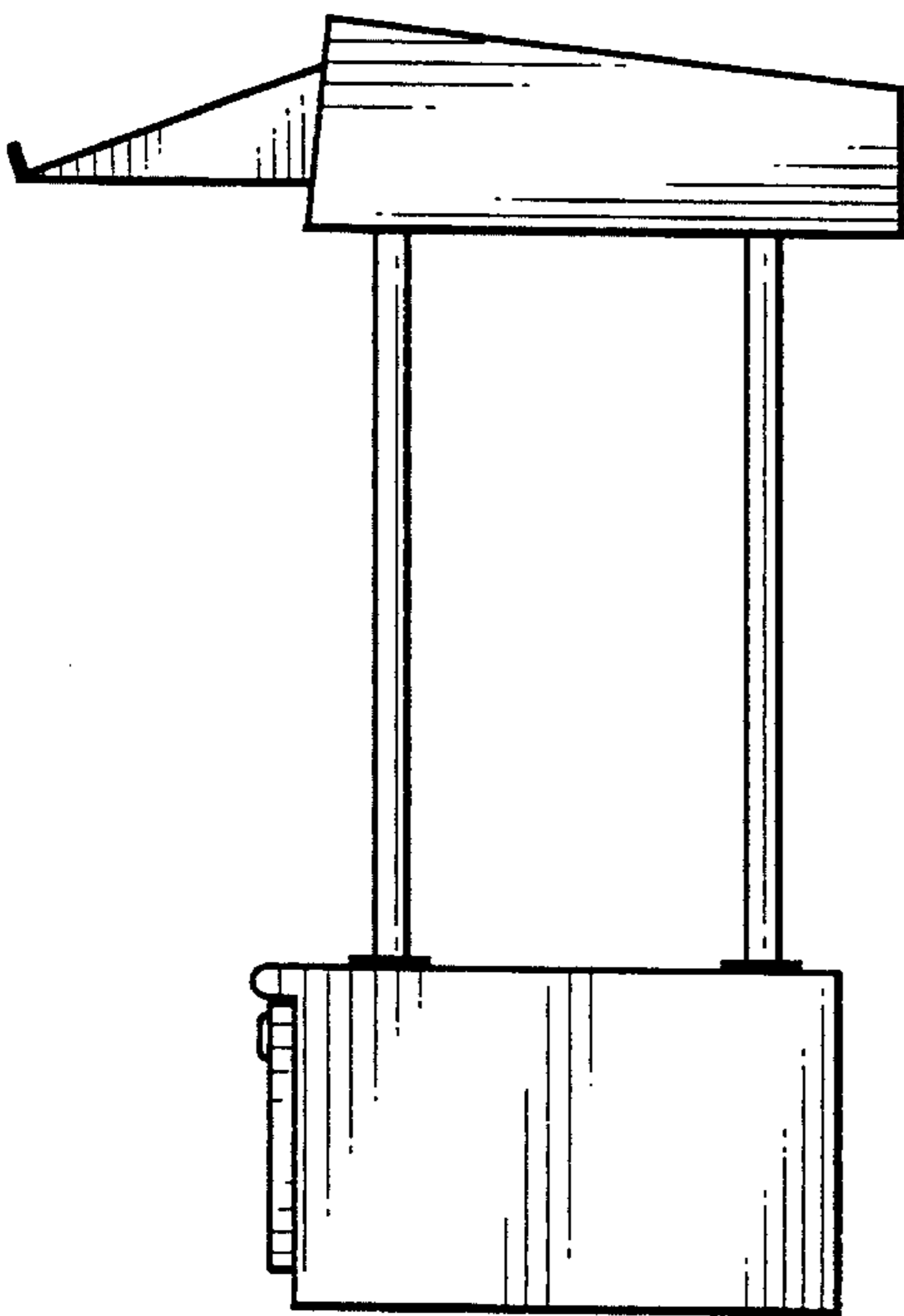


Fig. 5

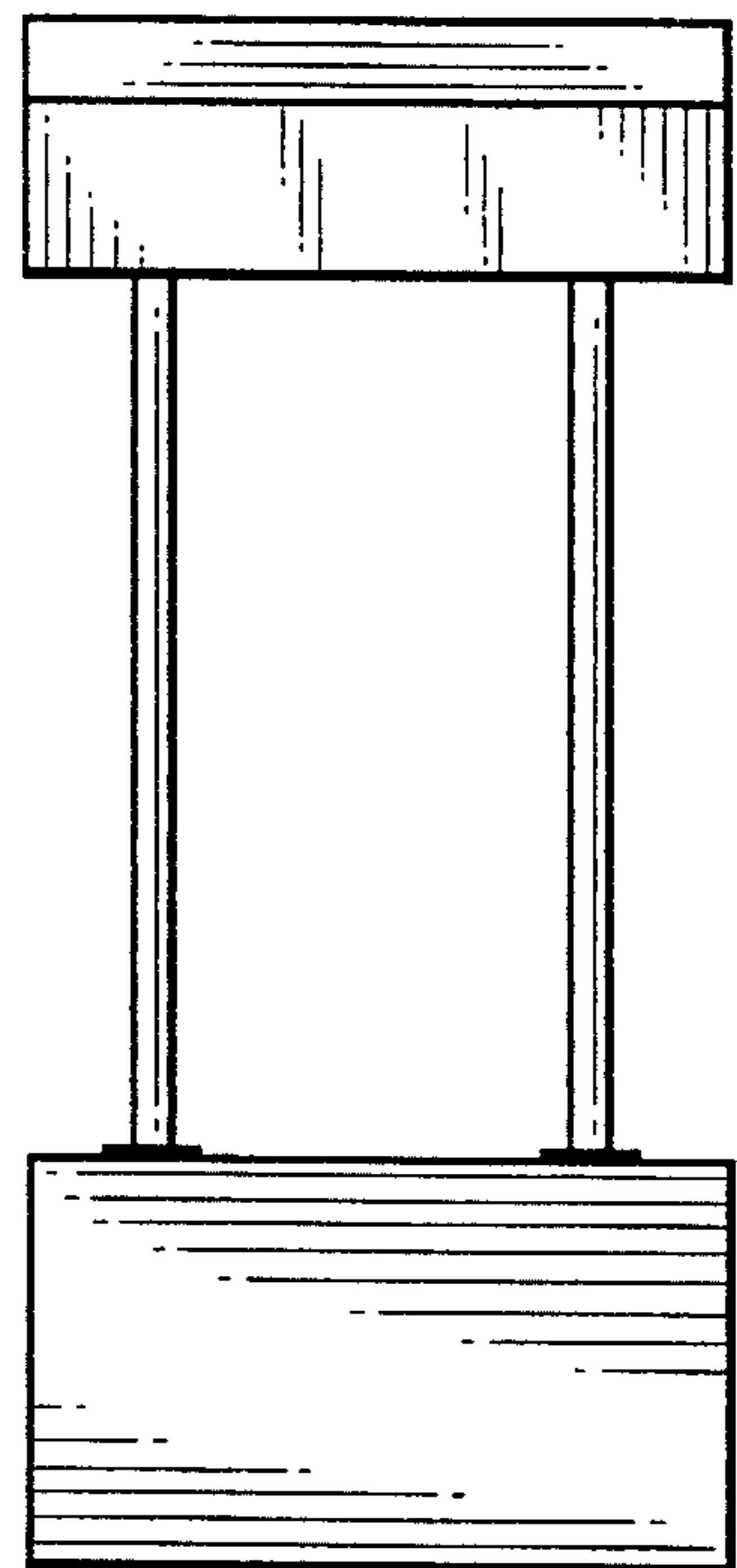


Fig. 6