



US00D370572S

United States Patent [19] Lin

[11] Patent Number: **Des. 370,572**

[45] Date of Patent: ****Jun. 11, 1996**

[54] **MODULAR FILING CABINET**

[76] Inventor: **Julius Lin**, 2 Lane 222, 5th Floor, Tung Wah N. Road, Taipei, Taiwan

[**] Term: **14 Years**

[21] Appl. No.: **15,250**

[22] Filed: **Nov. 12, 1993**

[30] **Foreign Application Priority Data**

May 11, 1993 [ZA] South Africa 93/0319

[52] U.S. Cl. **D6/446**

[58] Field of Search D6/396, 397, 432-448;
D19/76, 86, 92; D34/19, 20; 211/11, 126;
312/330.1, 348.4

[56] **References Cited**

U.S. PATENT DOCUMENTS

- D. 102,424 12/1936 Gardiner D6/446
- D. 179,480 1/1957 Jones et al. D19/92
- D. 237,235 10/1975 Iacurto et al. D6/396
- D. 254,883 5/1980 Jorda-Segui D6/445
- D. 259,676 6/1981 Ackeret D6/445
- D. 323,082 1/1992 Ronos D6/396 X
- D. 327,967 7/1992 Hikawa D34/20
- D. 341,253 11/1993 Ballman et al. D6/432 X
- D. 351,860 10/1994 Kirchner D19/92

OTHER PUBLICATIONS

"Cado, System Cado", Jul. 1977, p. 9, middle-right photo of drawers.

Primary Examiner—Alan P. Douglas

Assistant Examiner—Cathron B. Matta

Attorney, Agent, or Firm—Gary M. Nath; Anthony D. Miller; Nath & Associates

[57] **CLAIM**

The ornamental design for a modular filing cabinet, as shown and described.

DESCRIPTION

FIG. 1 is a front perspective view of a modular filing cabinet showing my new design;

FIG. 2 is a front side perspective view with some drawers in partially open position;

FIG. 3 is a rear perspective view;

FIG. 4 is a rear perspective view with some of the drawers in partially open position;

FIG. 5 is a front view;

FIG. 6 is a left side view, the opposite side being a mirror image thereof;

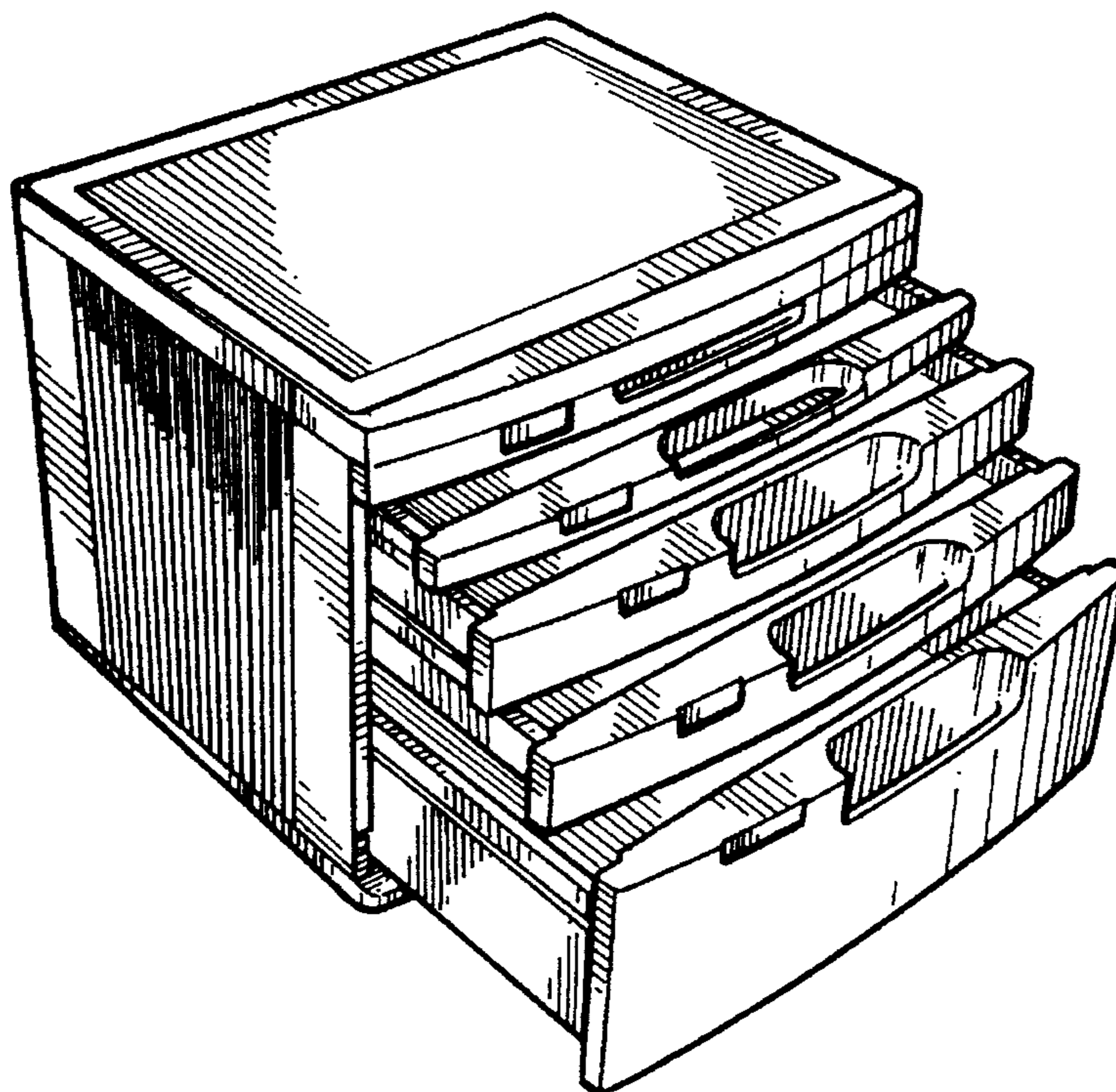
FIG. 7 is a left side perspective view with the drawers in partially open position;

FIG. 8 is a top plan view; and,

FIG. 9 is a rear view.

The bottom is plain and unadorned.

1 Claim, 5 Drawing Sheets



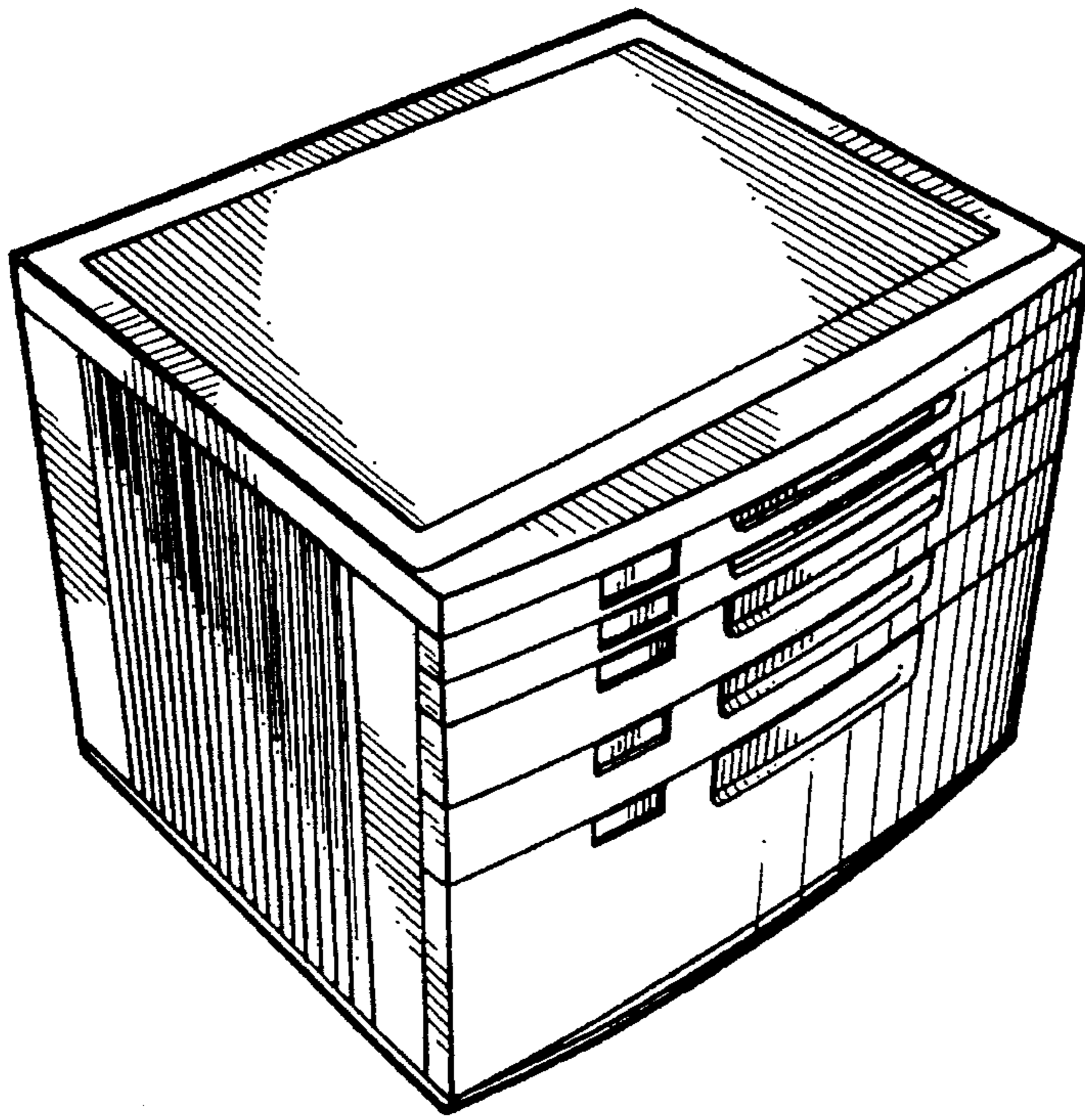


FIG. 1

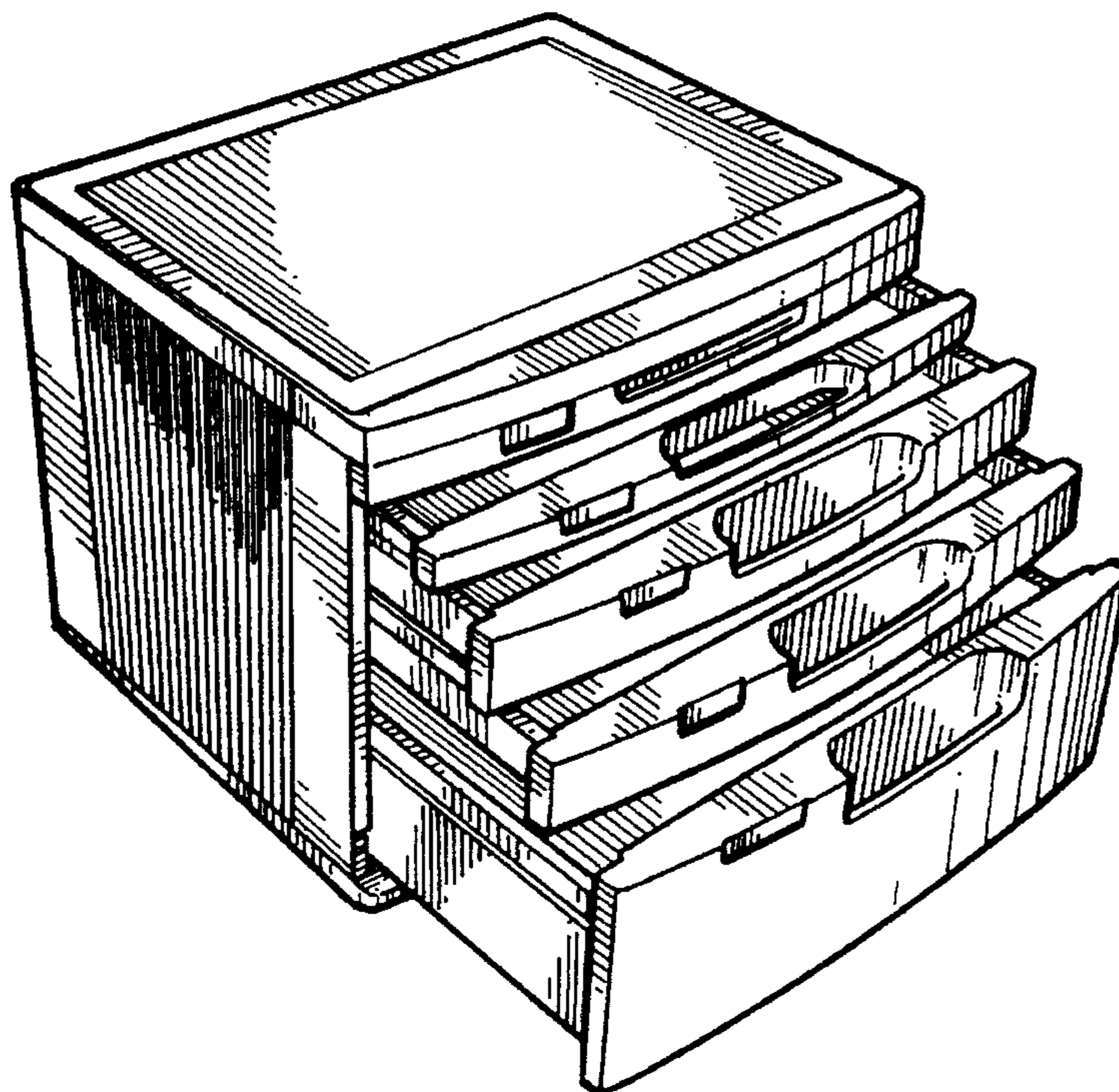


FIG. 2

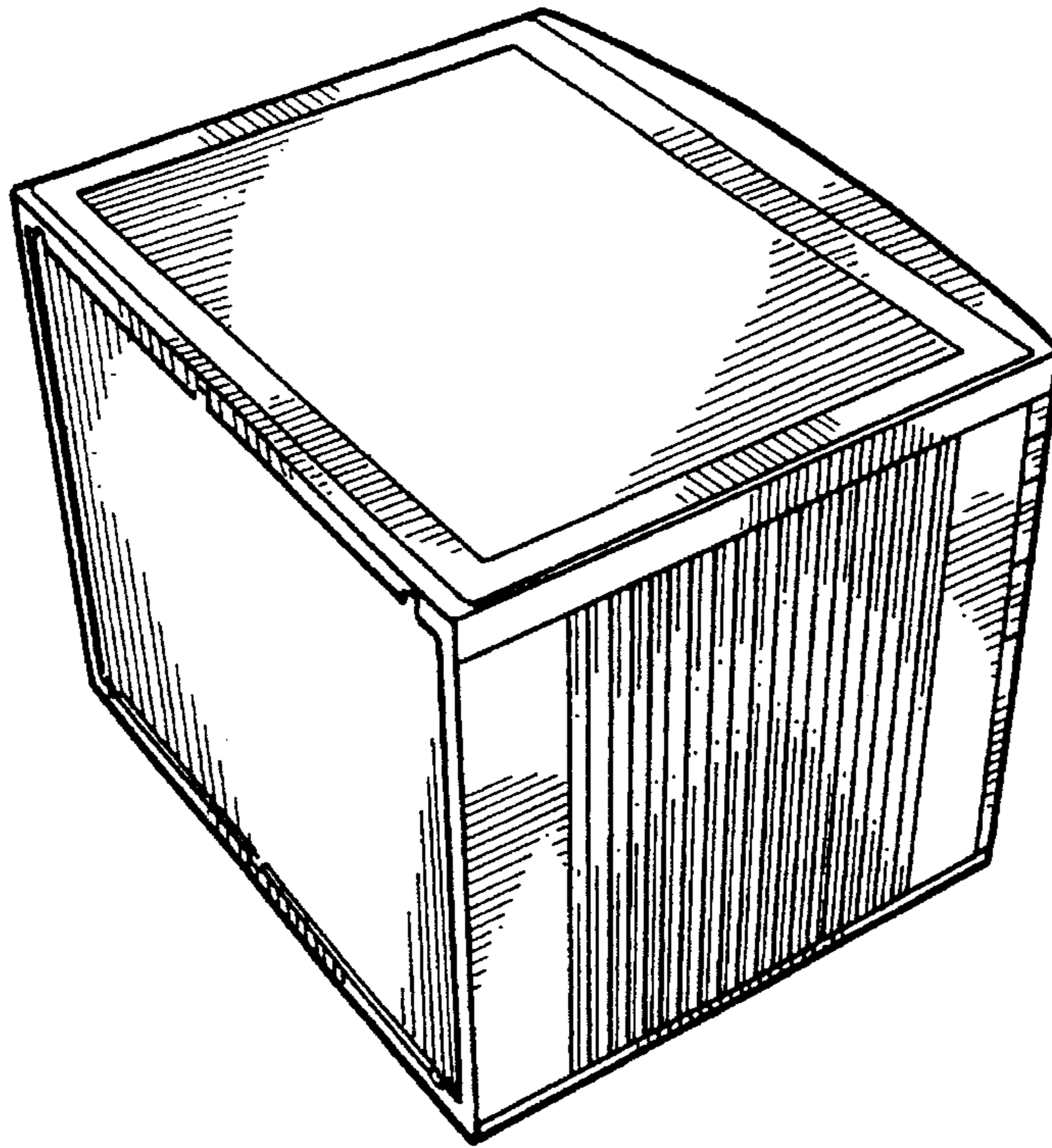


FIG. 3

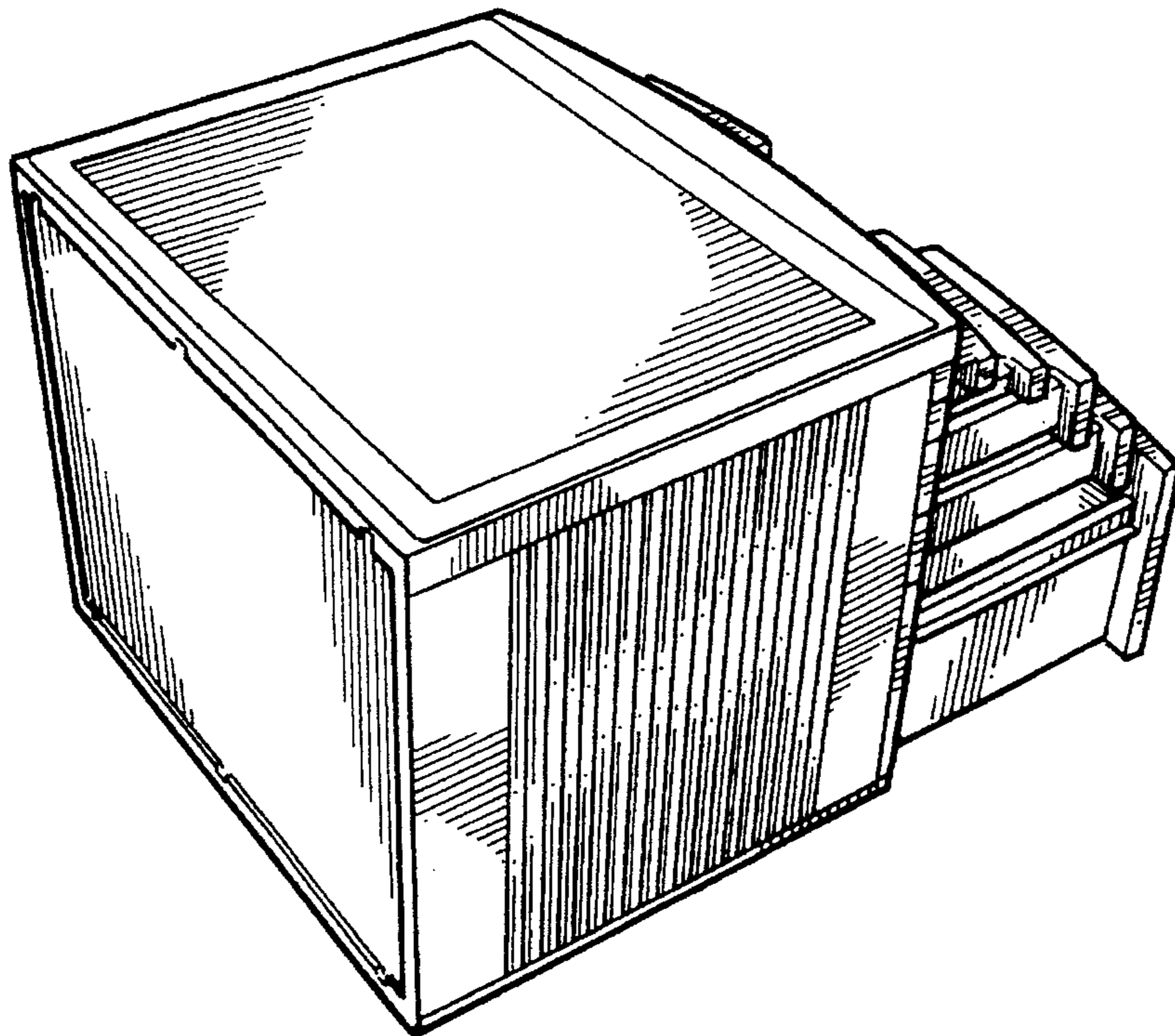


FIG. 4

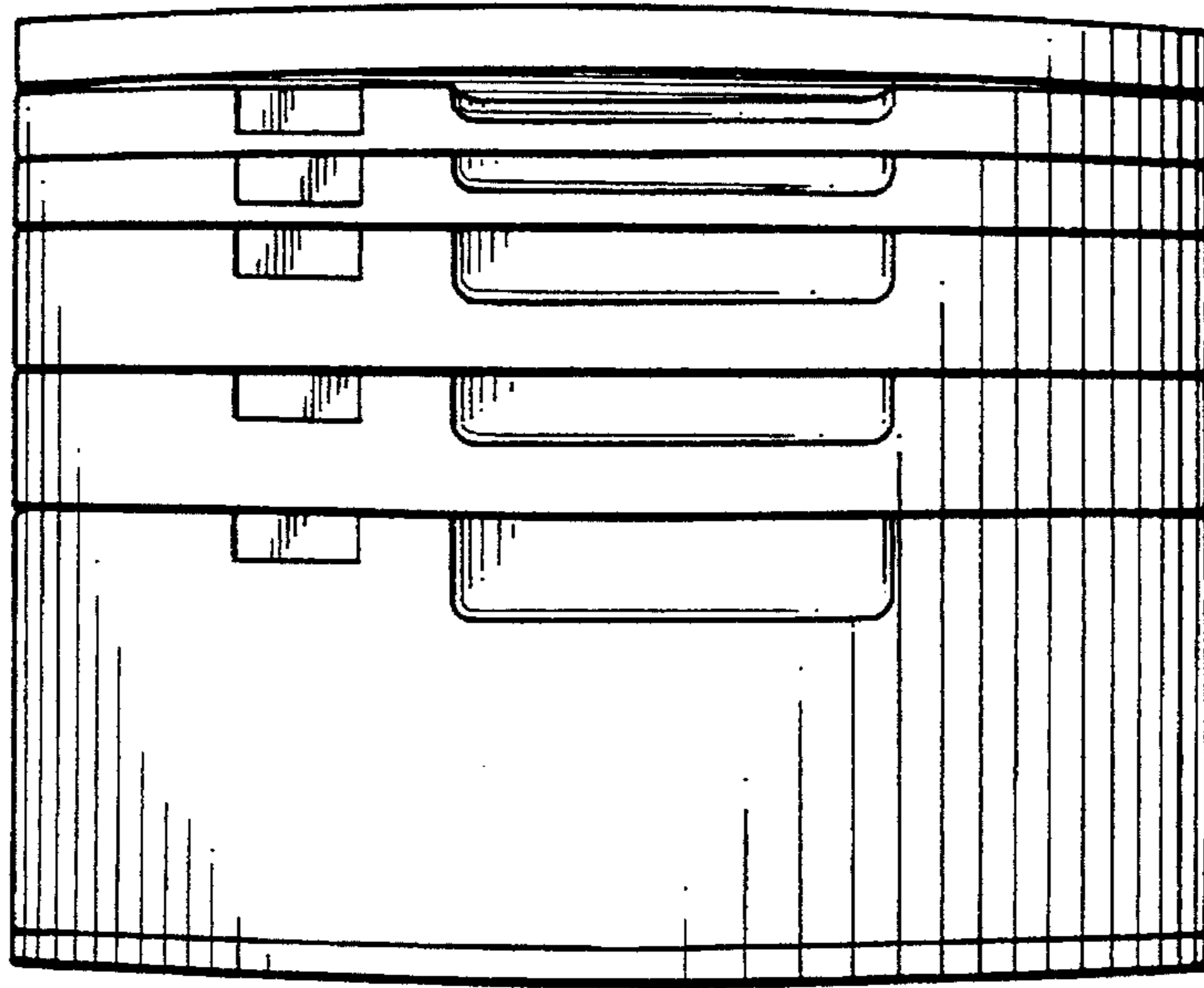


FIG. 5

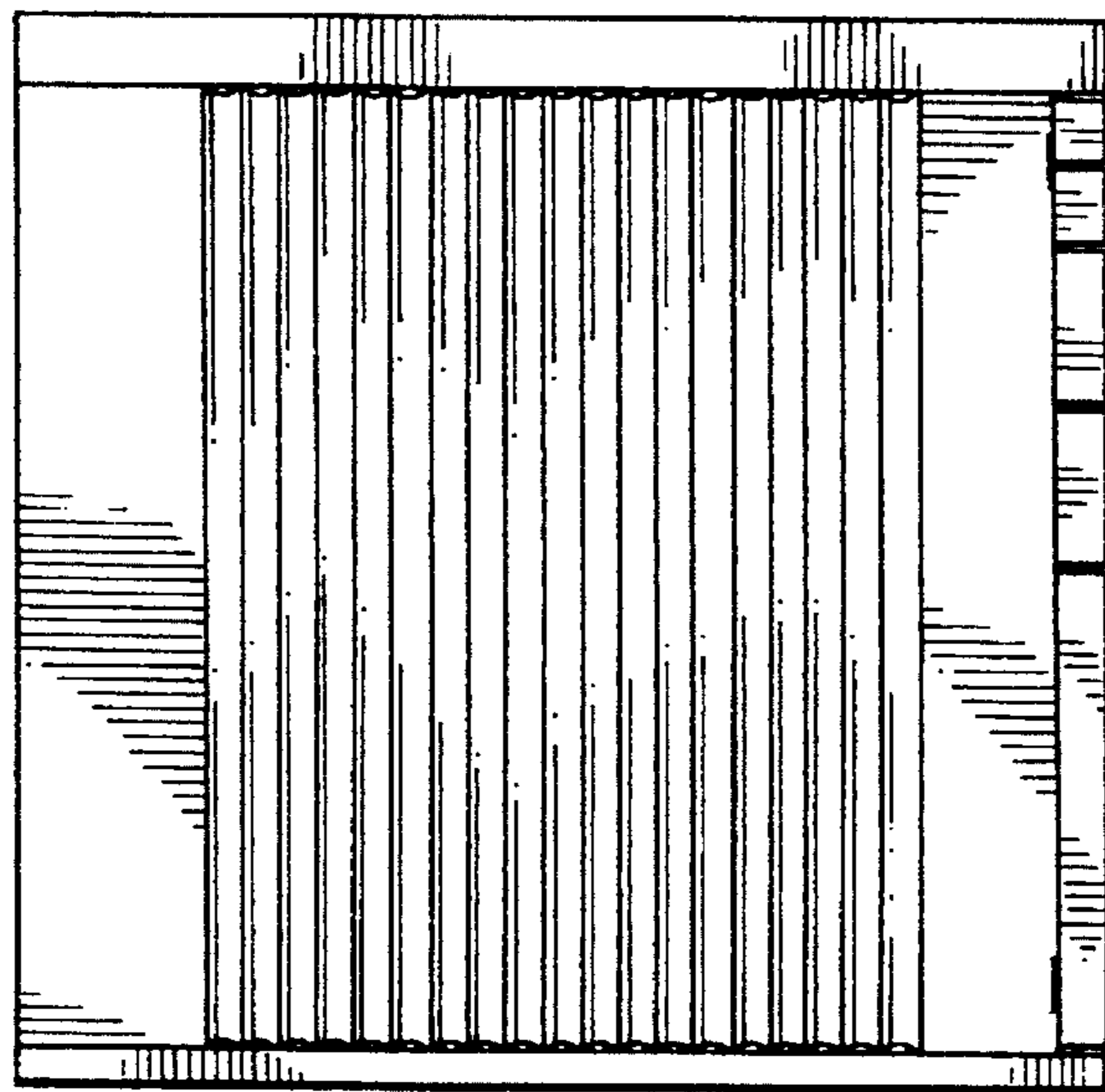


FIG. 6

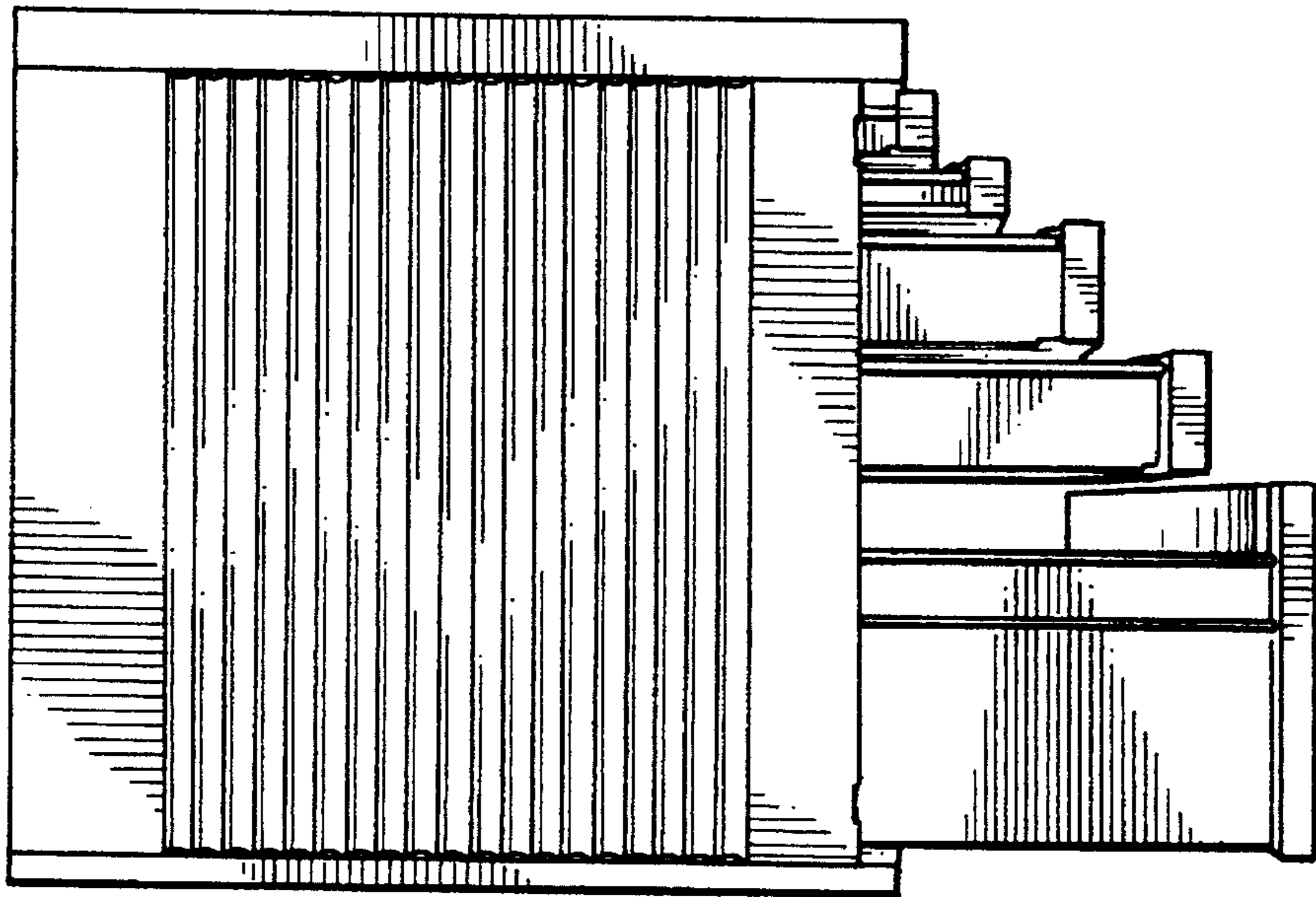


FIG. 7

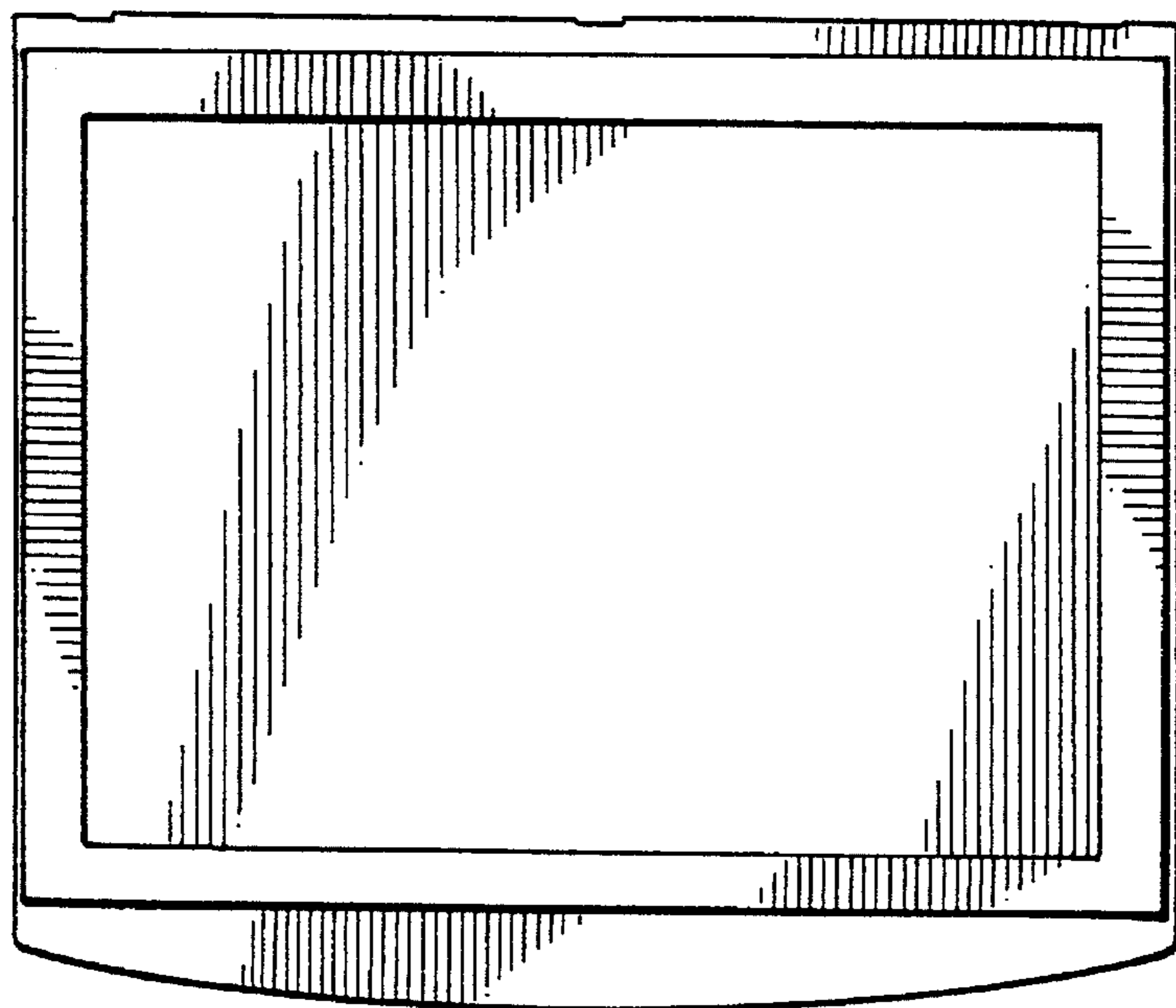


FIG. 8

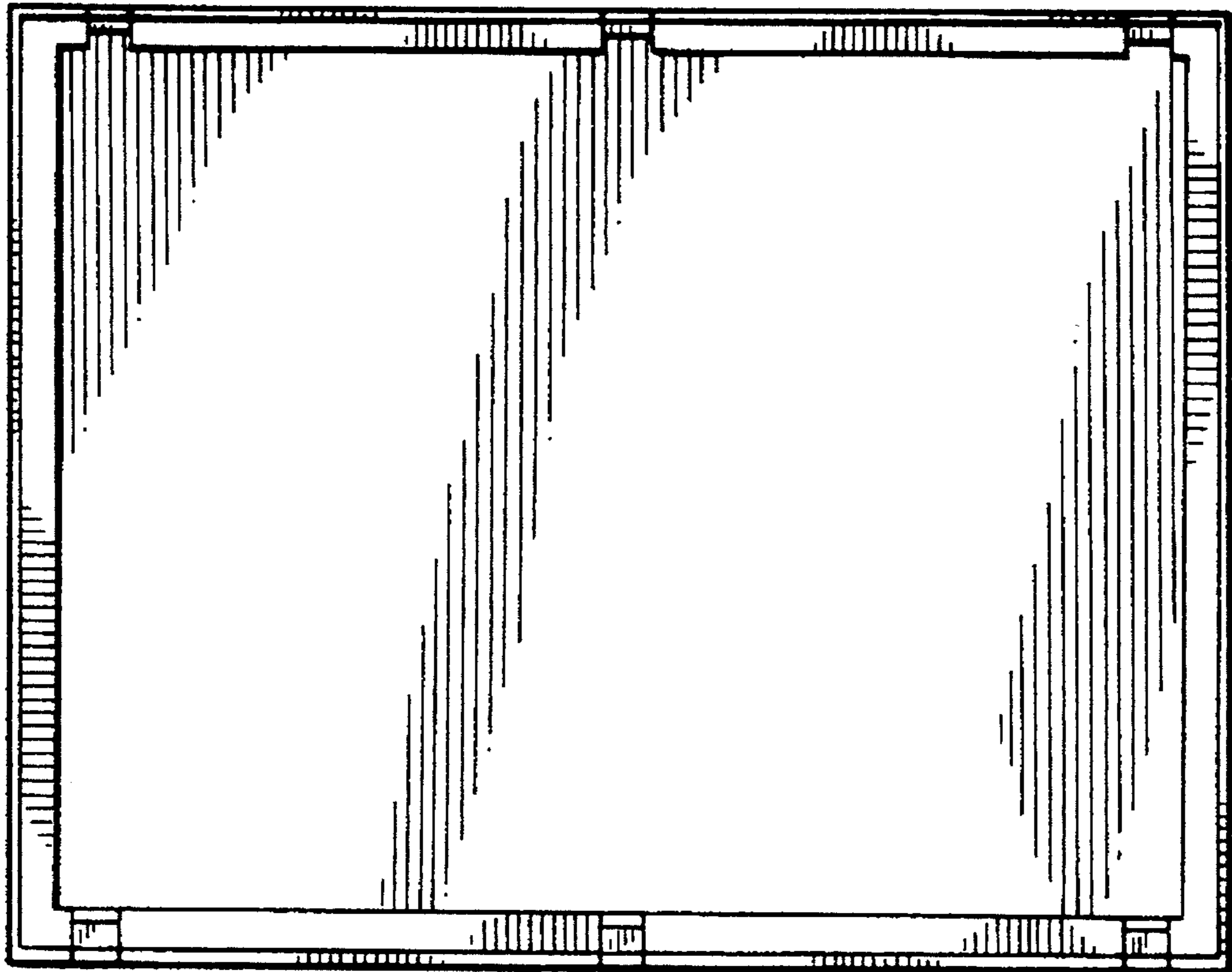


FIG. 9