



US00D370571S

United States Patent [19]

Newhouse et al.

[11] Patent Number: **Des. 370,571**

[45] Date of Patent: ****Jun. 11, 1996**

[54] **DESK**

[75] Inventors: **Thomas Newhouse**, Grand Rapids;
Donald Shepherd, Spring Lake, both of Mich.

[73] Assignee: **Herman Miller, Inc.**, Zeeland, Mich.

[**] Term: **14 Years**

[21] Appl. No.: **19,218**

[22] Filed: **Feb. 25, 1994**

[52] U.S. Cl. **D6/429**; D6/431

[58] Field of Search D6/396, 397, 421-431,
D6/449; 108/129

[56] **References Cited**

U.S. PATENT DOCUMENTS

D. 144,590	4/1946	Schutes	D6/397
D. 193,858	10/1962	Chapman et al.	D6/425
D. 277,056	1/1985	Nicholson	D6/420
2,829,935	4/1958	Colleau	312/195 X

FOREIGN PATENT DOCUMENTS

16733 of 1895 United Kingdom D6/420 X

OTHER PUBLICATIONS

“Domus”, Jan. 1982, P.00, item No. 1, table at top.

Primary Examiner—Alan P. Douglas
Assistant Examiner—Cathron B. Matta
Attorney, Agent, or Firm—William Brinks Hofer Gilson & Lione

[57] **CLAIM**

The ornamental design for a desk, as shown in the drawings.

DESCRIPTION

FIG. 1 is a front perspective view showing the desk of the present invention;
FIG. 2 is a front view thereof;
FIG. 3 is a rear view thereof;
FIG. 4 is a top plan view thereof;
FIG. 5 is a bottom view thereof;
FIG. 6 is a first side view thereof; and,
FIG. 7 is a second side view thereof.

1 Claim, 6 Drawing Sheets

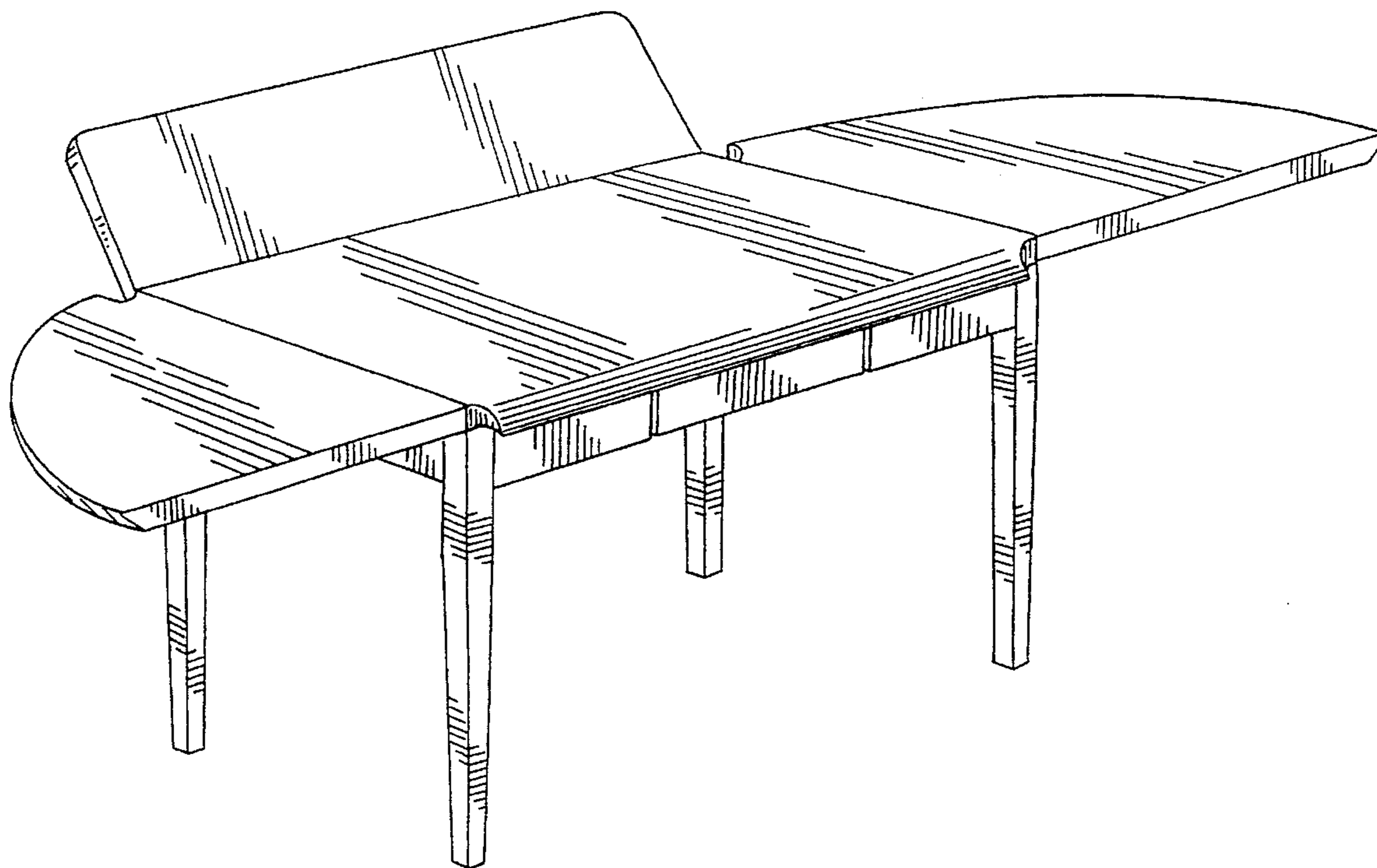
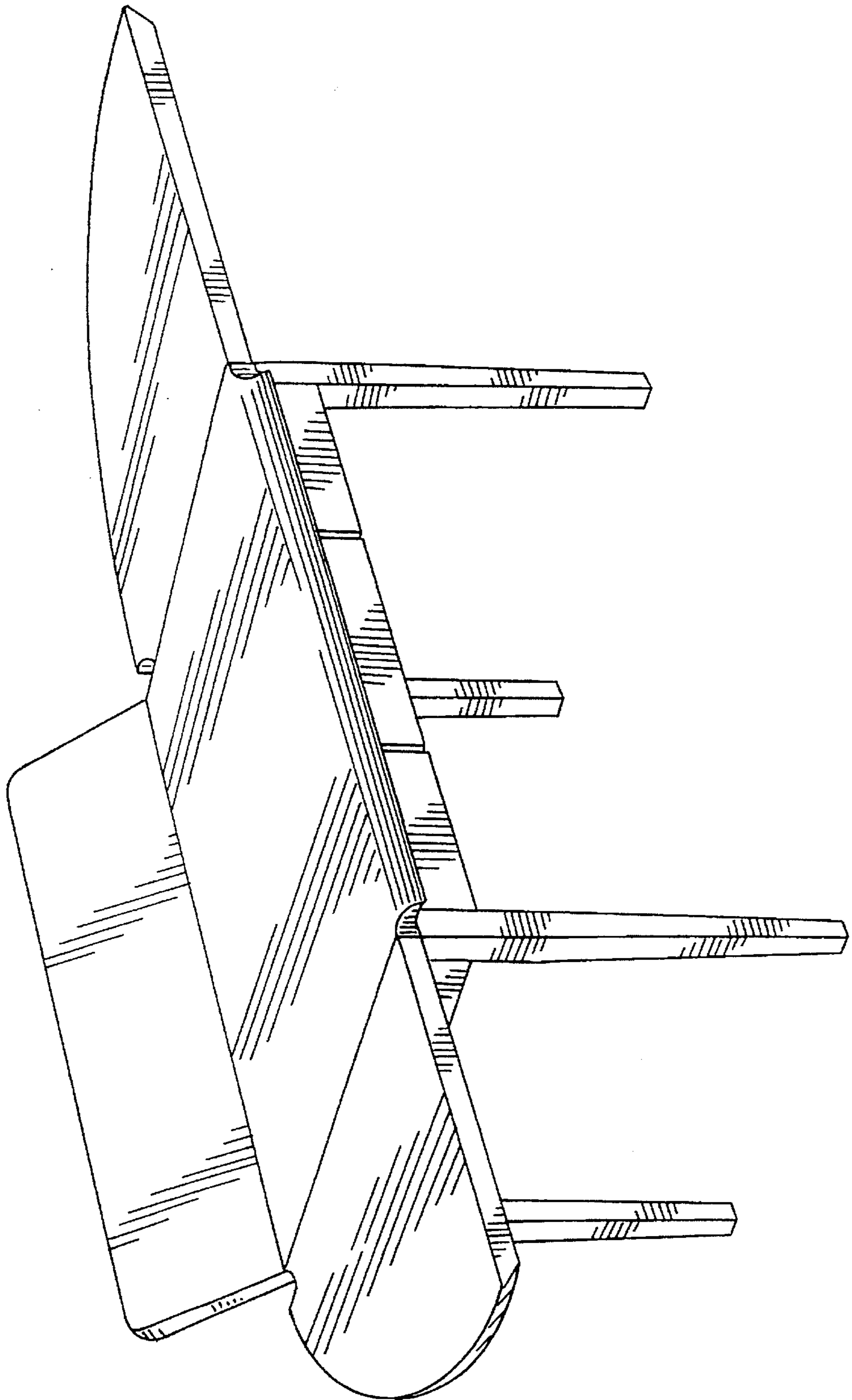


FIG. 1



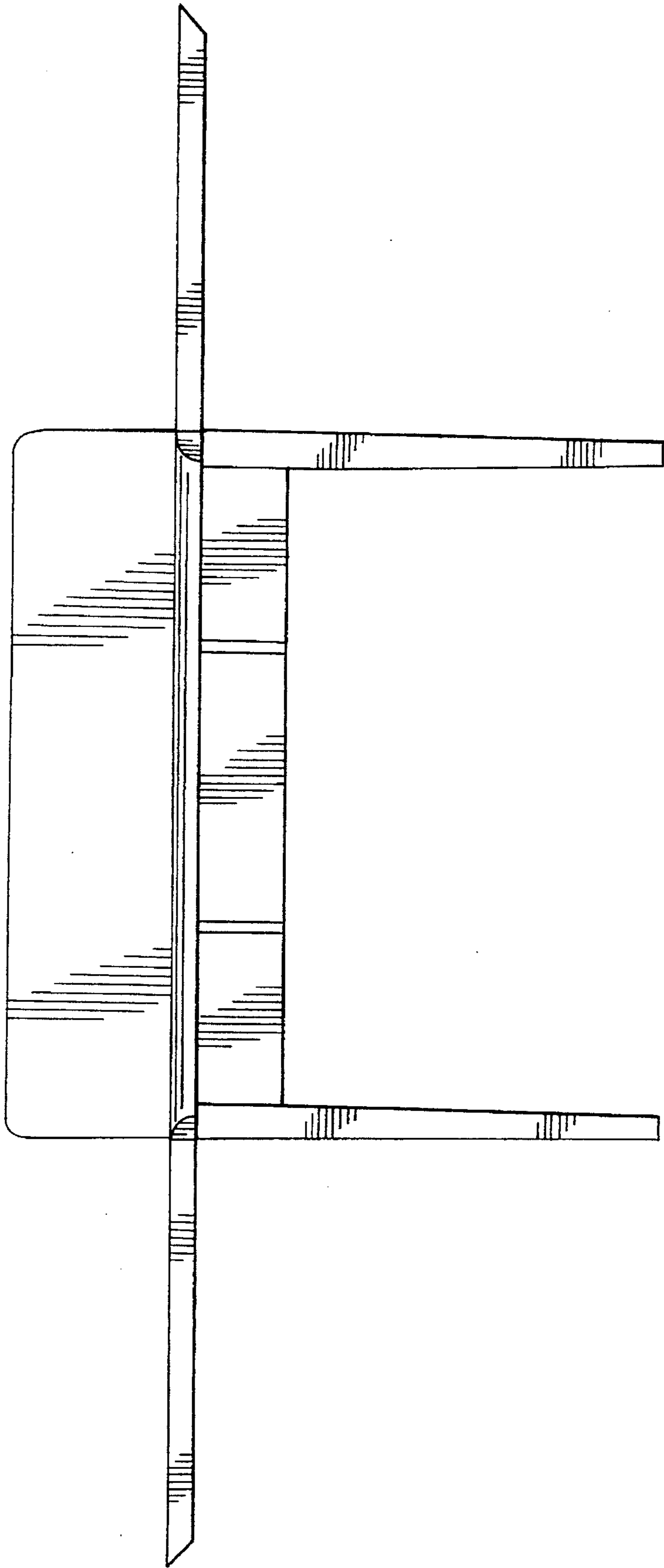


FIG. 2

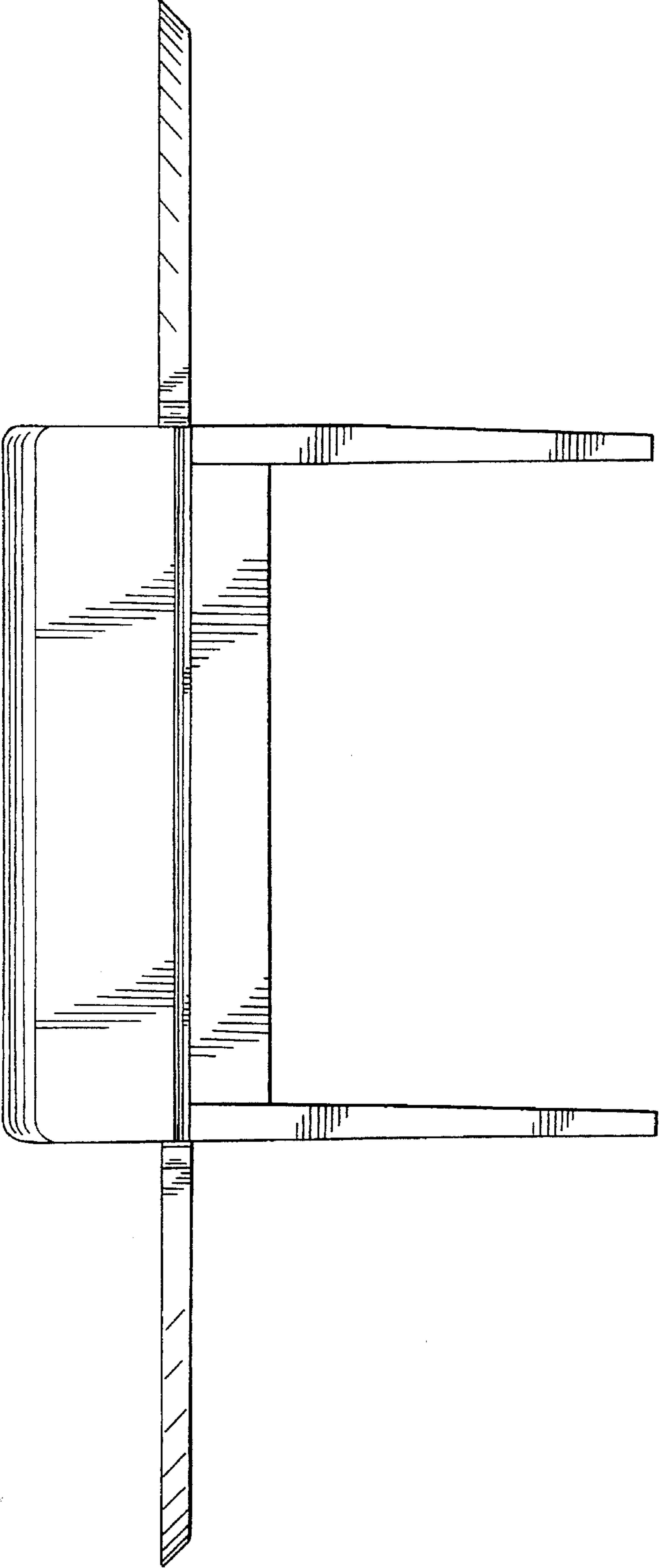


FIG. 3

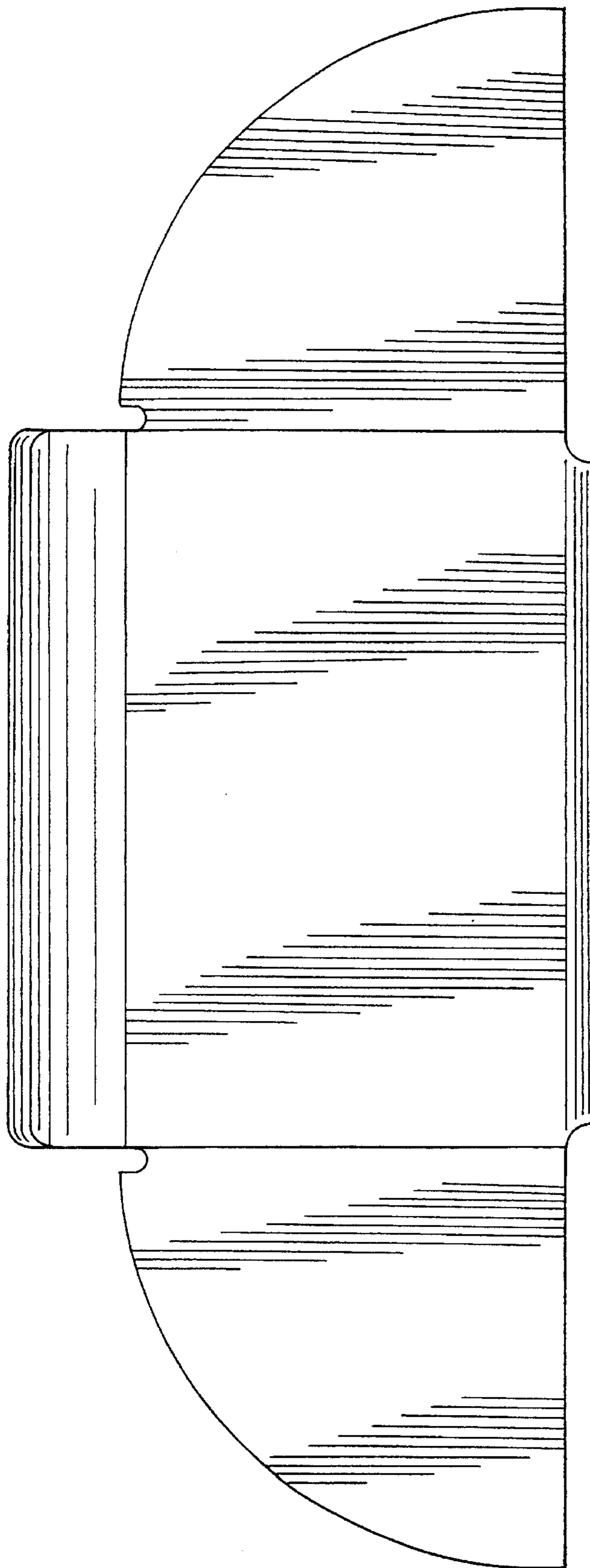


FIG. 4

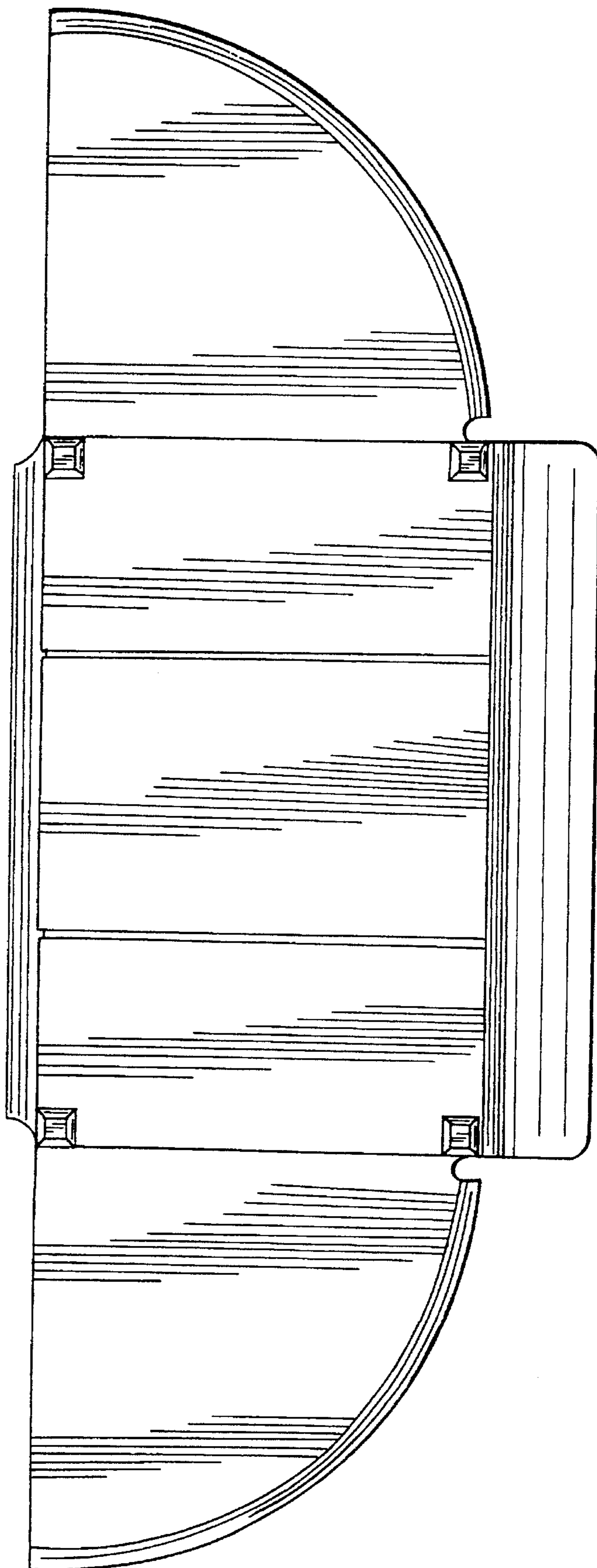


FIG. 5

FIG. 6

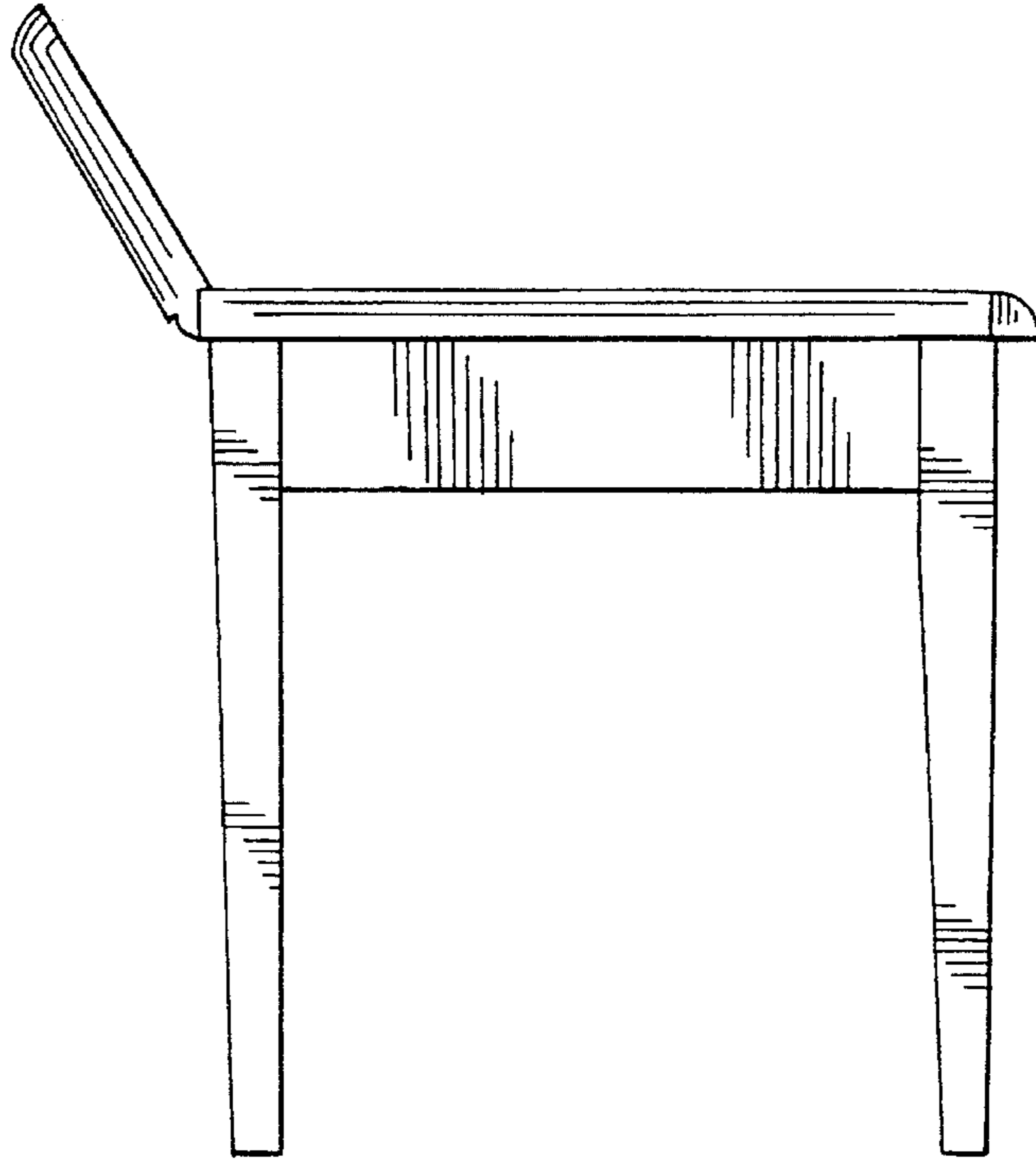
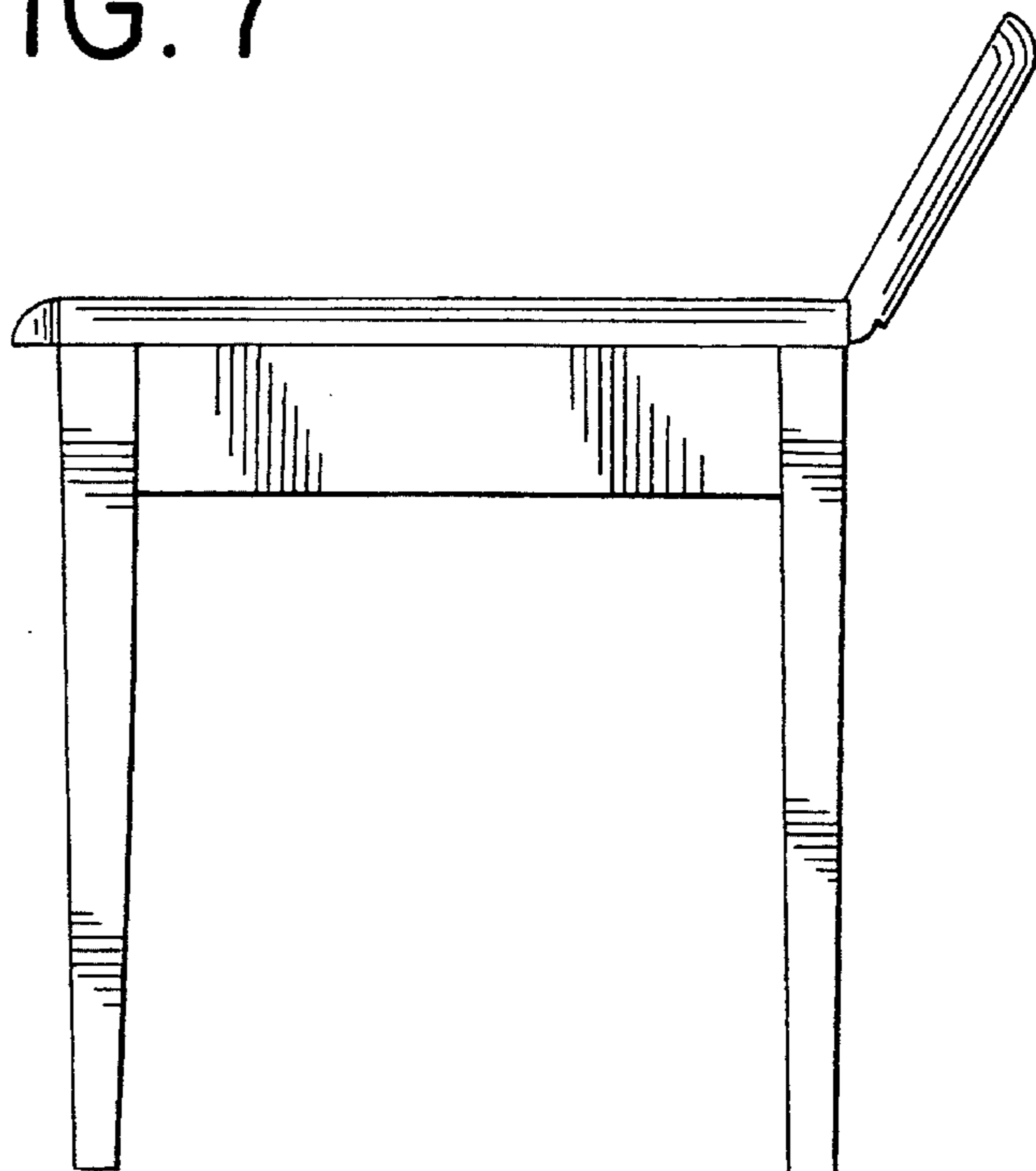


FIG. 7



UNITED STATES PATENT AND TRADEMARK OFFICE
CERTIFICATE OF CORRECTION

PATENT NO. : Des. 370,571
DATED : June 11, 1996
INVENTOR(S) : Thomas Newhouse et al.

It is certified that error appears in the above-identified patent and that said Letters Patent is hereby corrected as shown below:

On the Title Page

In column 2, line 14, under "DESCRIPTION", delete "plan".

Signed and Sealed this
Third Day of December, 1996



BRUCE LEHMAN

Attest:

Attesting Officer

Commissioner of Patents and Trademarks