



US00D370569S

United States Patent [19]
Opsvik

[11] **Patent Number: Des. 370,569**

[45] **Date of Patent: **Jun. 11, 1996**

[54] **CHAIR**

[75] Inventor: **Peter Opsvik**, Oslo, Norway

[73] Assignee: **Stokke Industri AS**, Oslo, Norway

[**] Term: **14 Years**

[21] Appl. No.: **23,466**

[22] Filed: **May 25, 1994**

[30] **Foreign Application Priority Data**

Nov. 25, 1993 [NO] Norway 930876

[52] **U.S. Cl.** **D6/360; D6/367**

[58] **Field of Search** **D6/334, 335, 360, D6/364, 365, 366, 367, 380, 500, 501, 502; 297/423.38**

[56] **References Cited**

U.S. PATENT DOCUMENTS

D. 259,598 6/1981 Locher D6/380

D. 274,958 8/1984 Aronowitz et al. D6/360

D. 341,954 12/1993 Thompson D6/374

Primary Examiner—Alan P. Douglas

Assistant Examiner—Gary D. Watson

Attorney, Agent, or Firm—William S. Frommer

[57] **CLAIM**

The ornamental design for a chair, as shown and described.

DESCRIPTION

FIG. 1 is a front perspective view of one embodiment of a chair showing my new design;

FIG. 2 is a rear perspective view of the chair shown in FIG. 1;

FIG. 3 is a right side view of the chair shown in FIG. 1;

FIG. 4 is a left side view of the chair shown in FIG. 1;

FIG. 5 is a top view of the chair shown in FIG. 1;

FIG. 6 is a bottom view of the chair shown in FIG. 1;

FIG. 7 is a front view of the chair shown in FIG. 1;

FIG. 8 is a rear view of the chair shown in FIG. 1;

FIG. 9 is a perspective view of another embodiment of the chair showing my design;

FIG. 10 is a rear perspective view of the chair shown in FIG. 9;

FIG. 11 is a right side view of the chair shown in FIG. 9;

FIG. 12 is a left side view of the chair shown in FIG. 9;

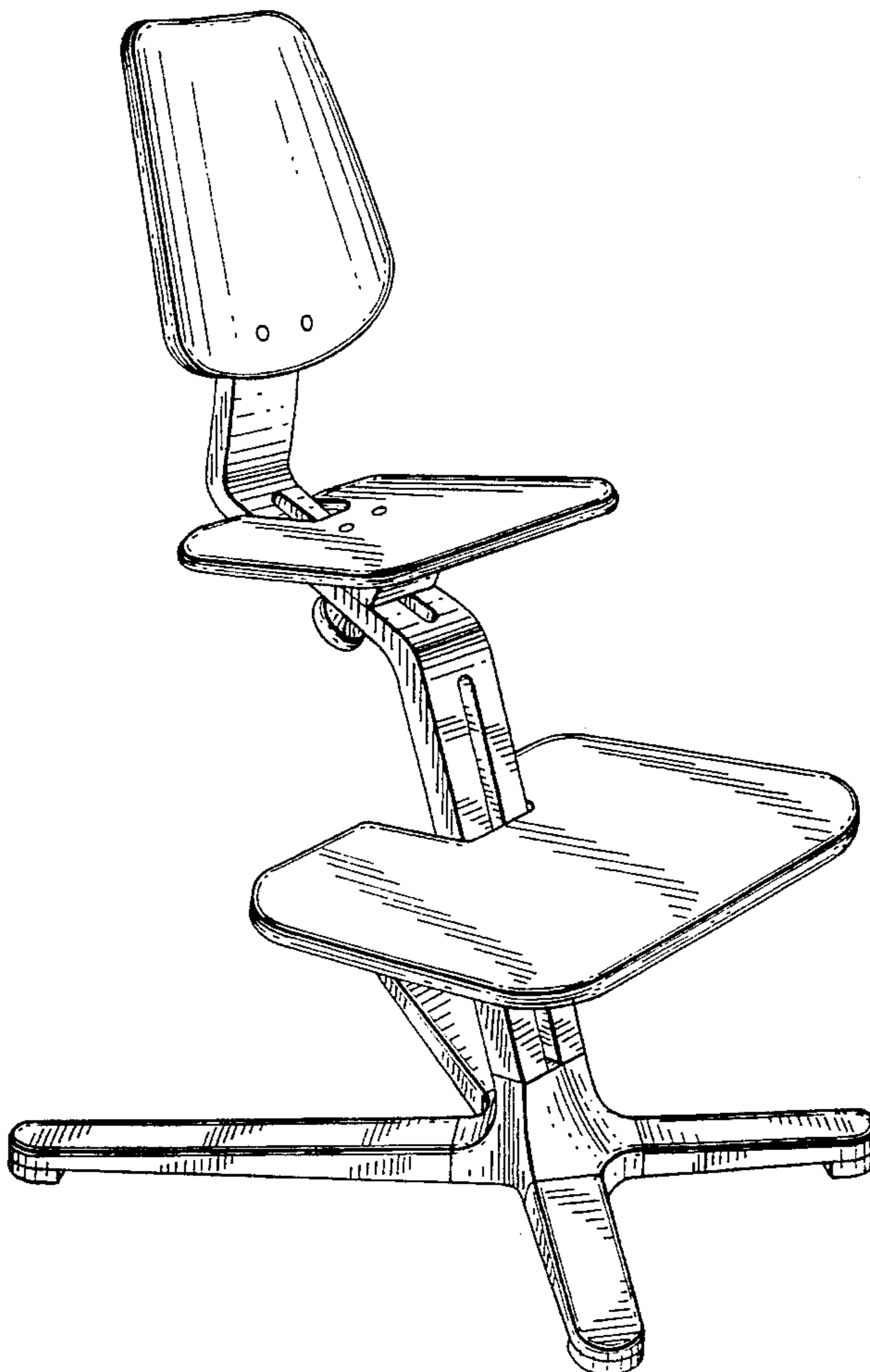
FIG. 13 is a top view of the chair shown in FIG. 9;

FIG. 14 is a bottom view of the chair shown in FIG. 9;

FIG. 15 is a front view of the chair shown in FIG. 9; and,

FIG. 16 is a rear view of the chair shown in FIG. 9.

1 Claim, 14 Drawing Sheets



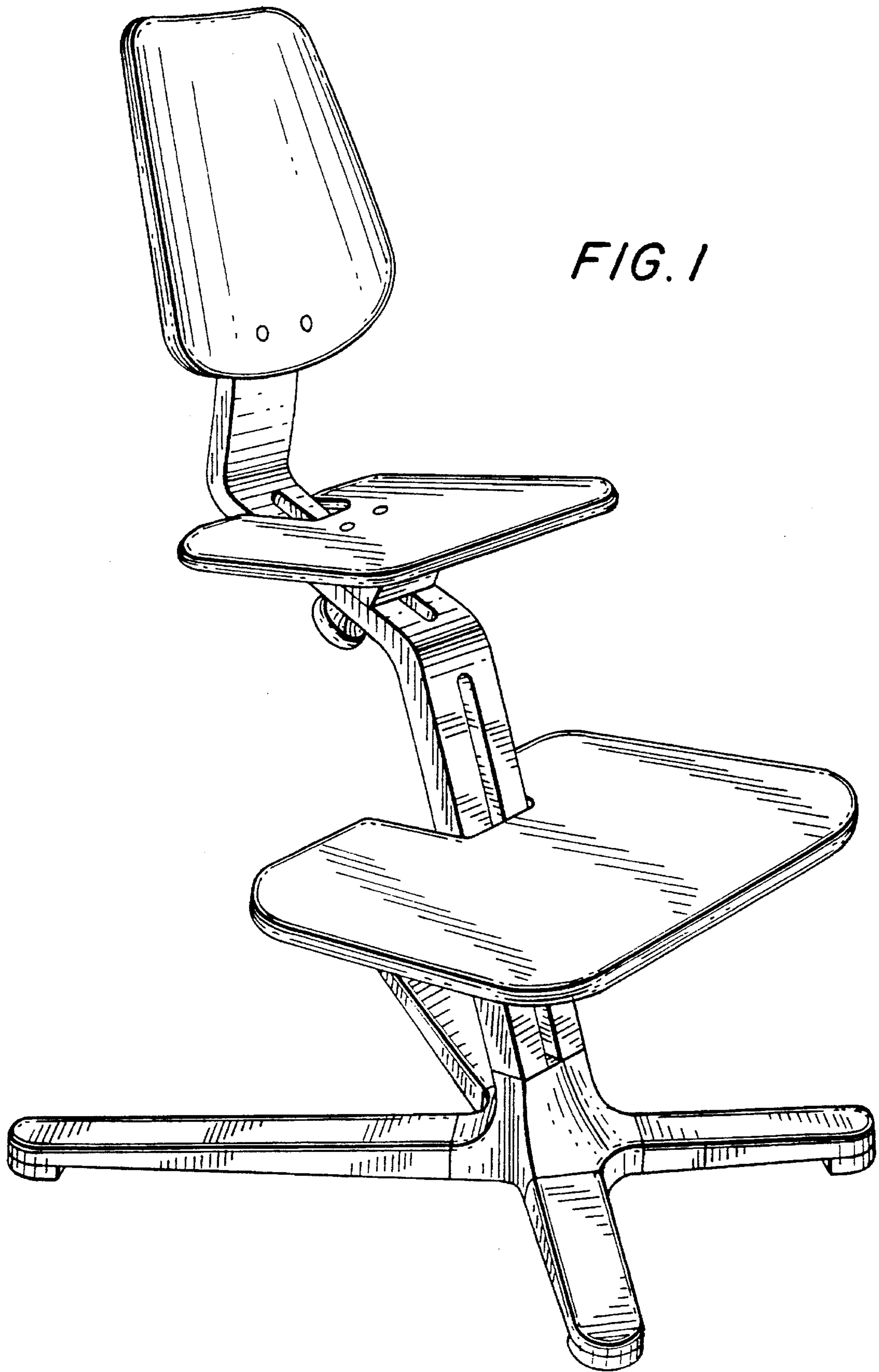


FIG. 1

FIG. 2

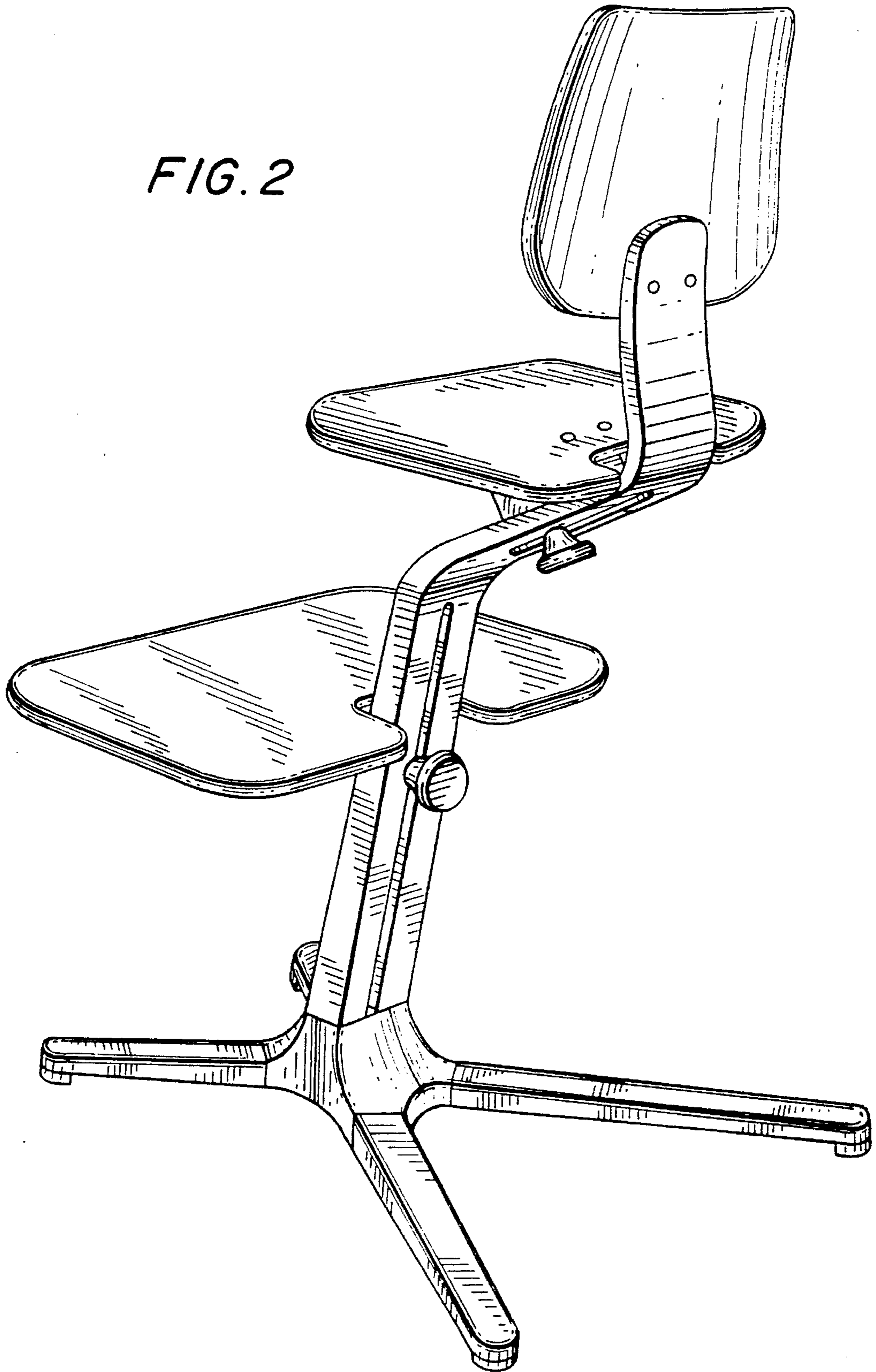


FIG. 3

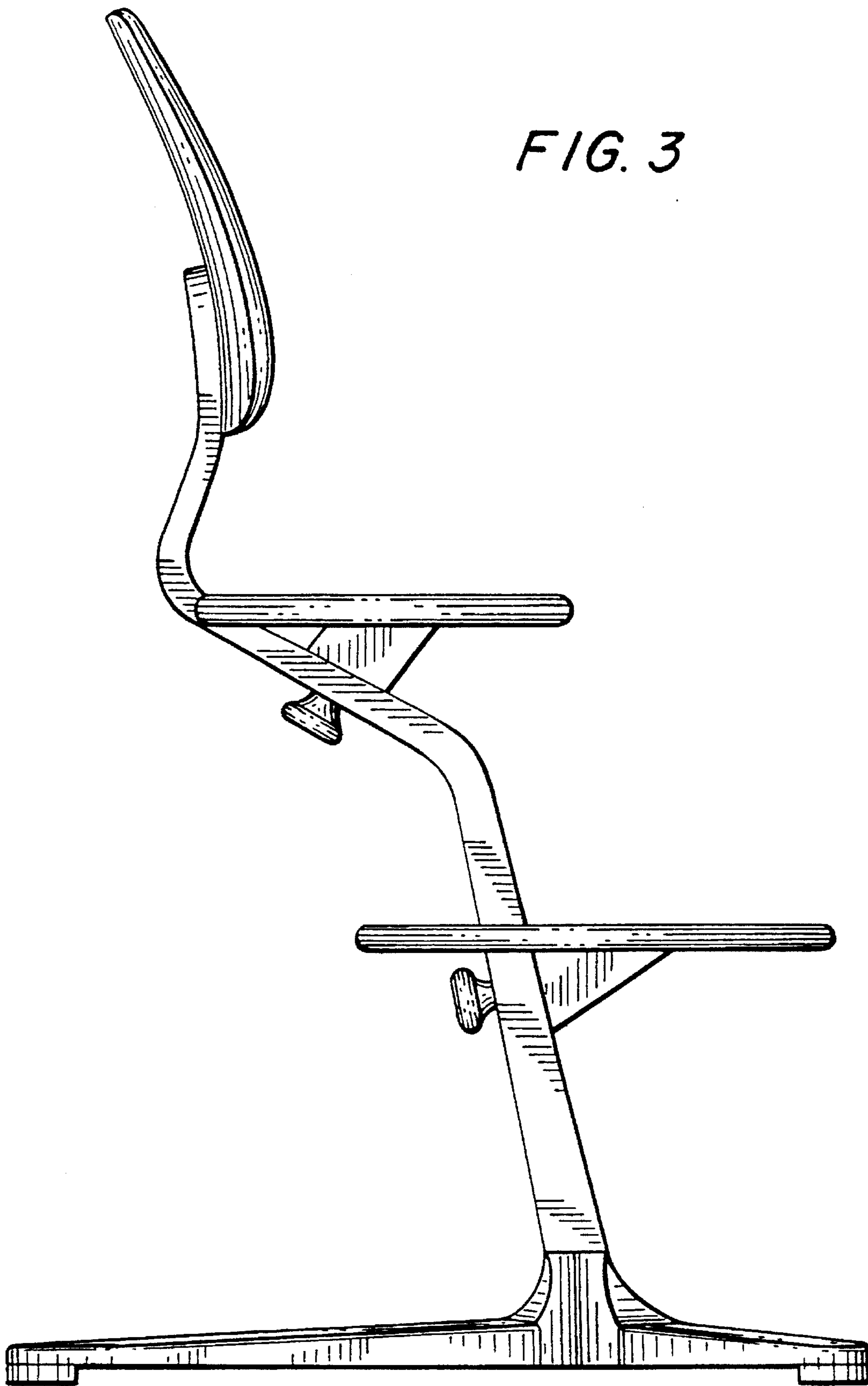
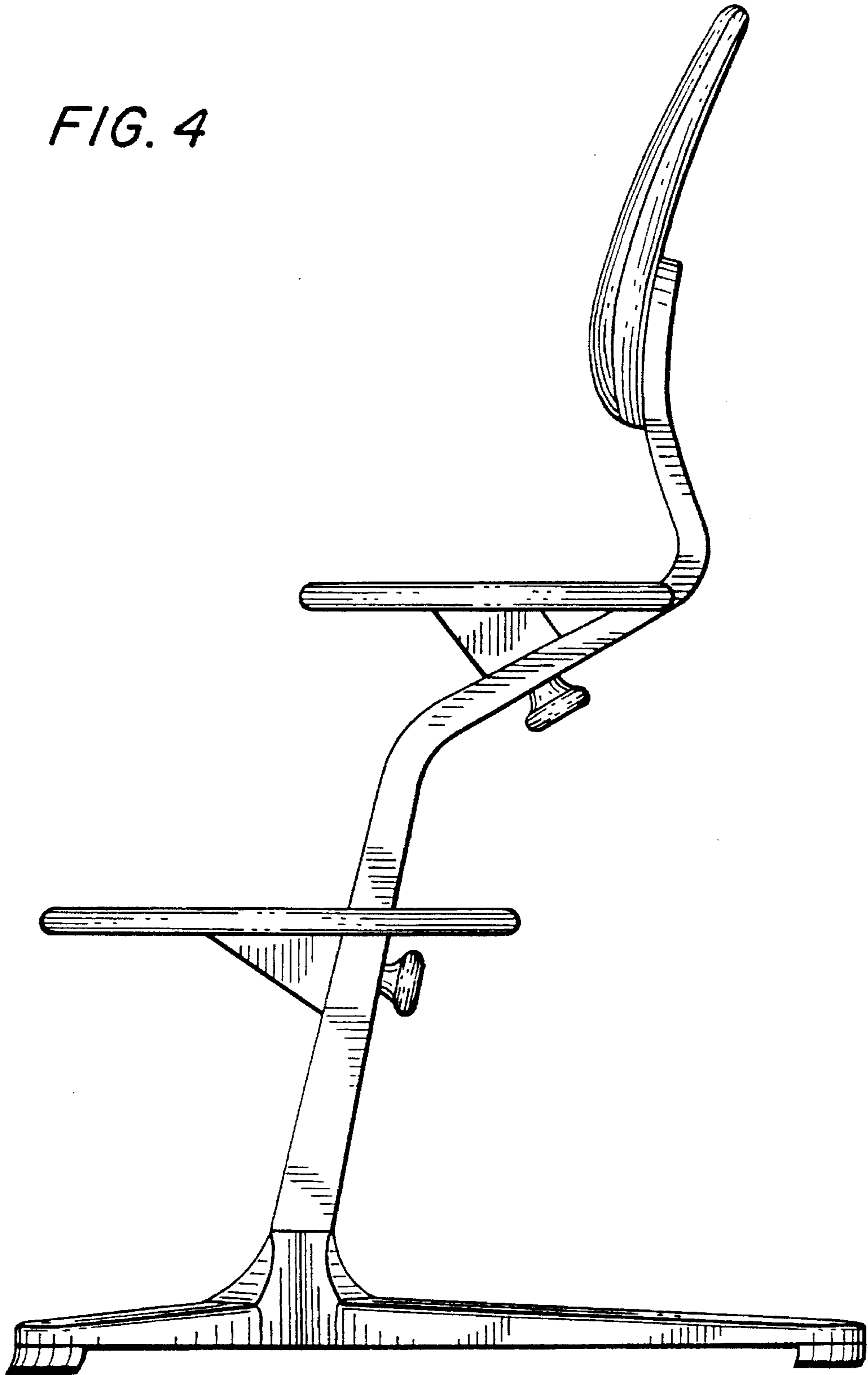


FIG. 4



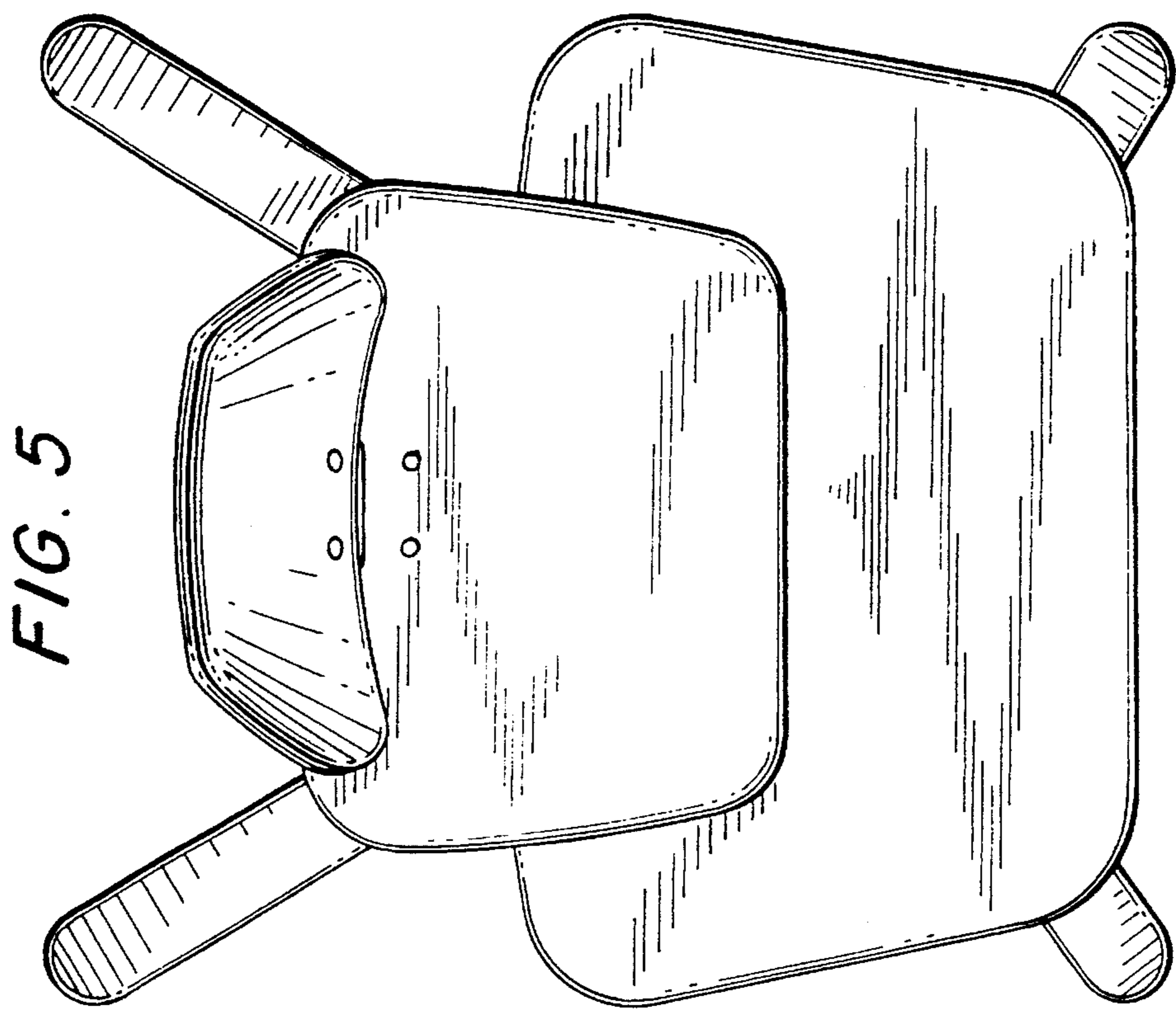
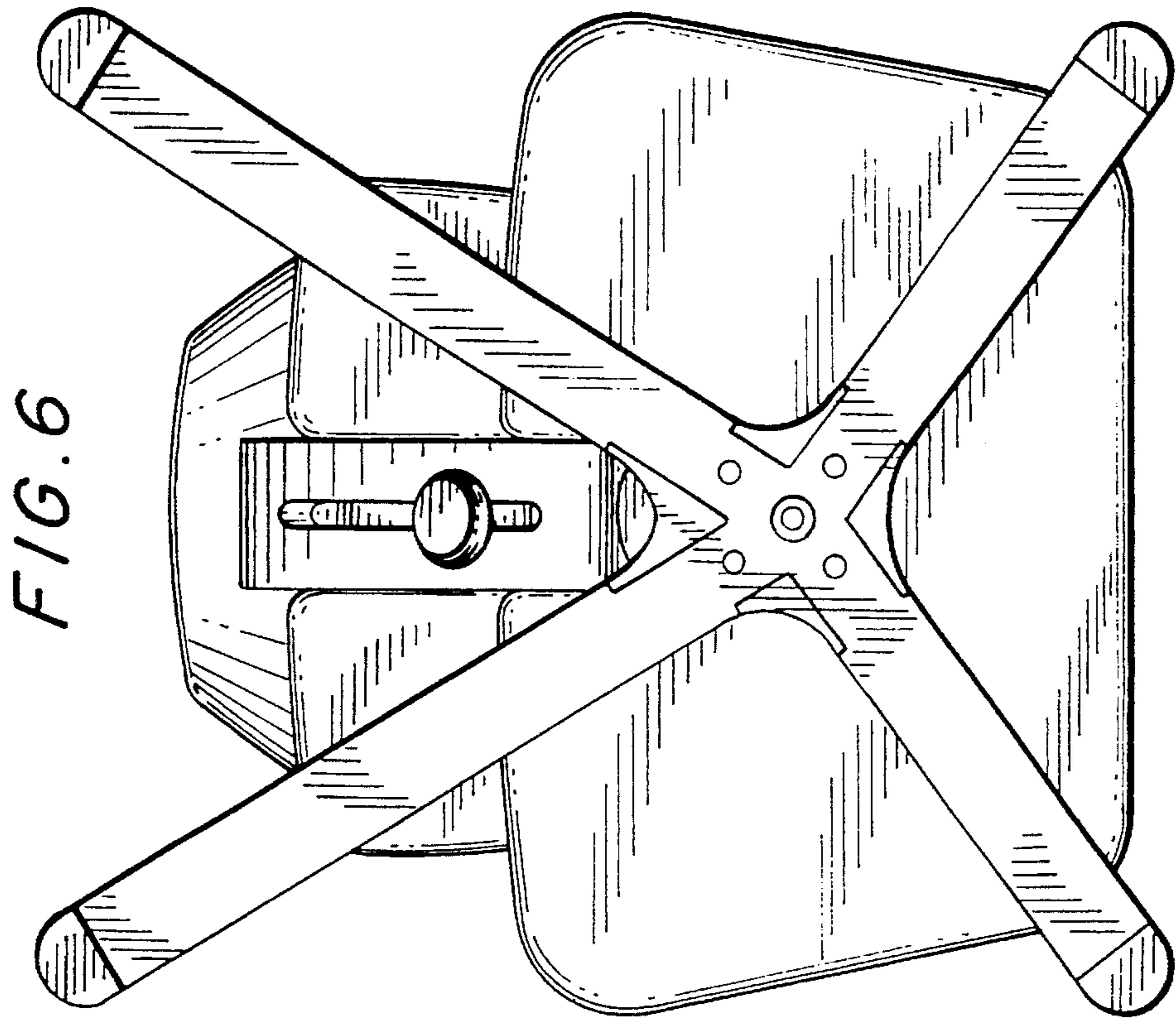


FIG. 7

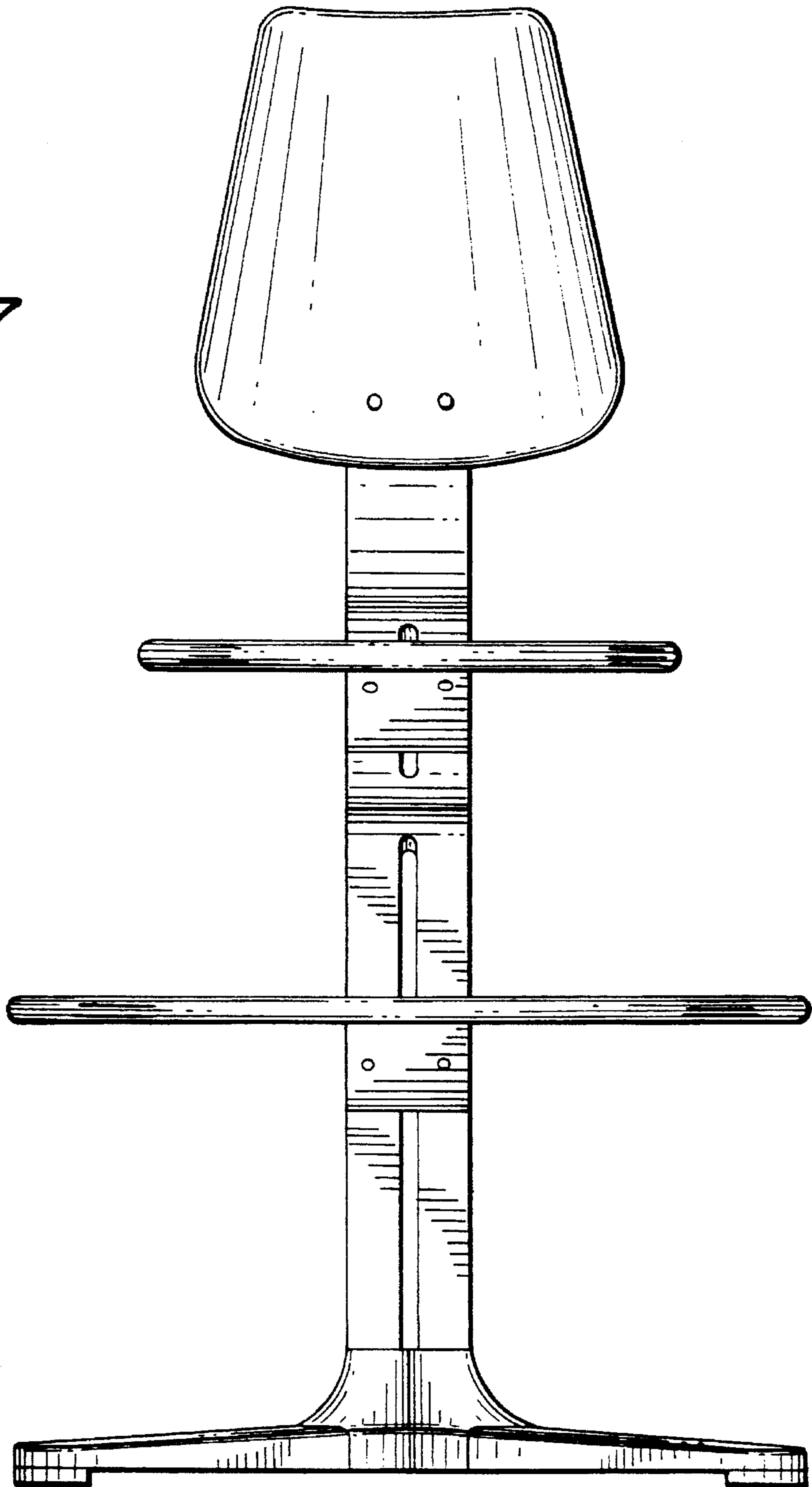
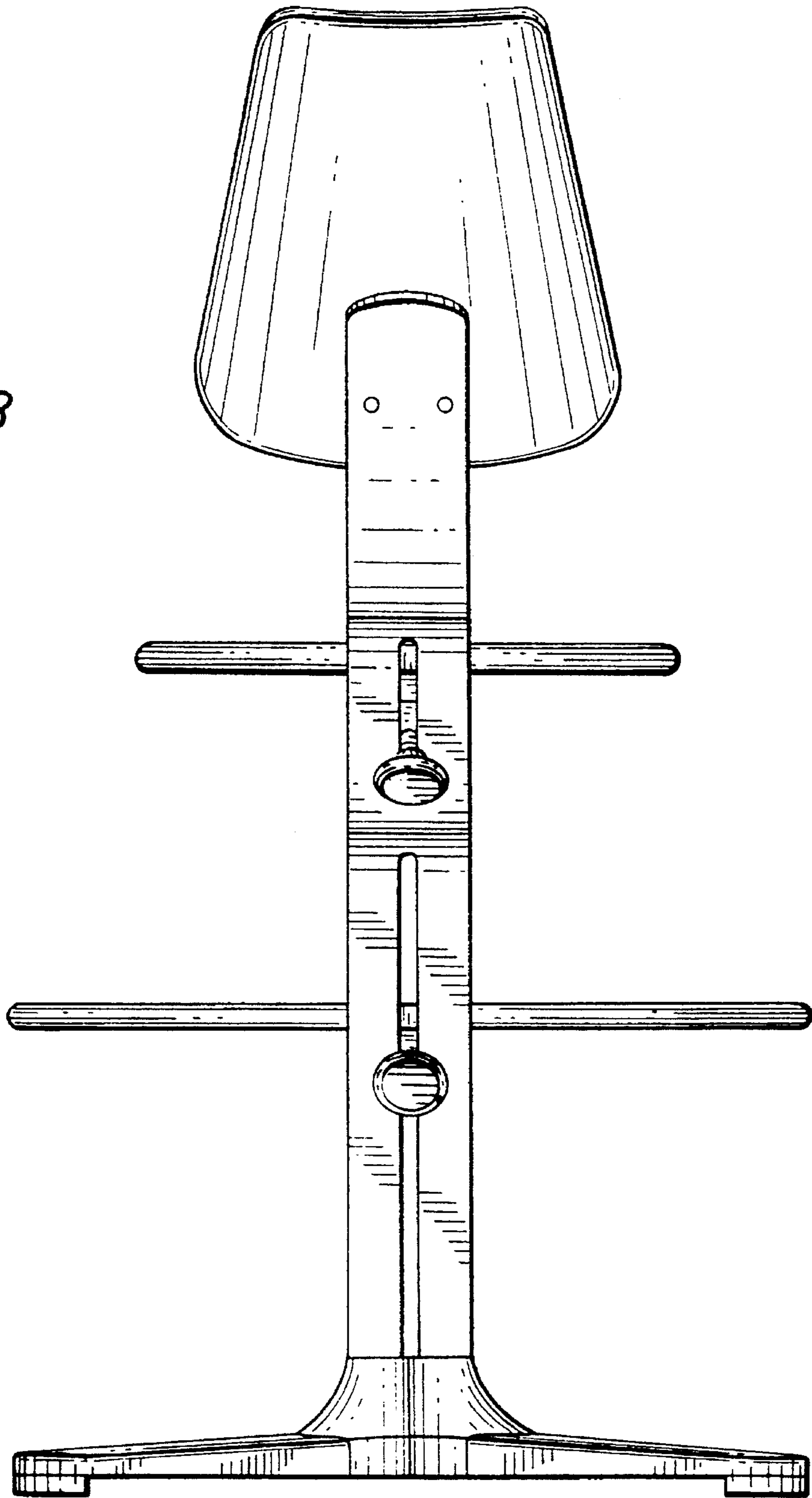


FIG. 8



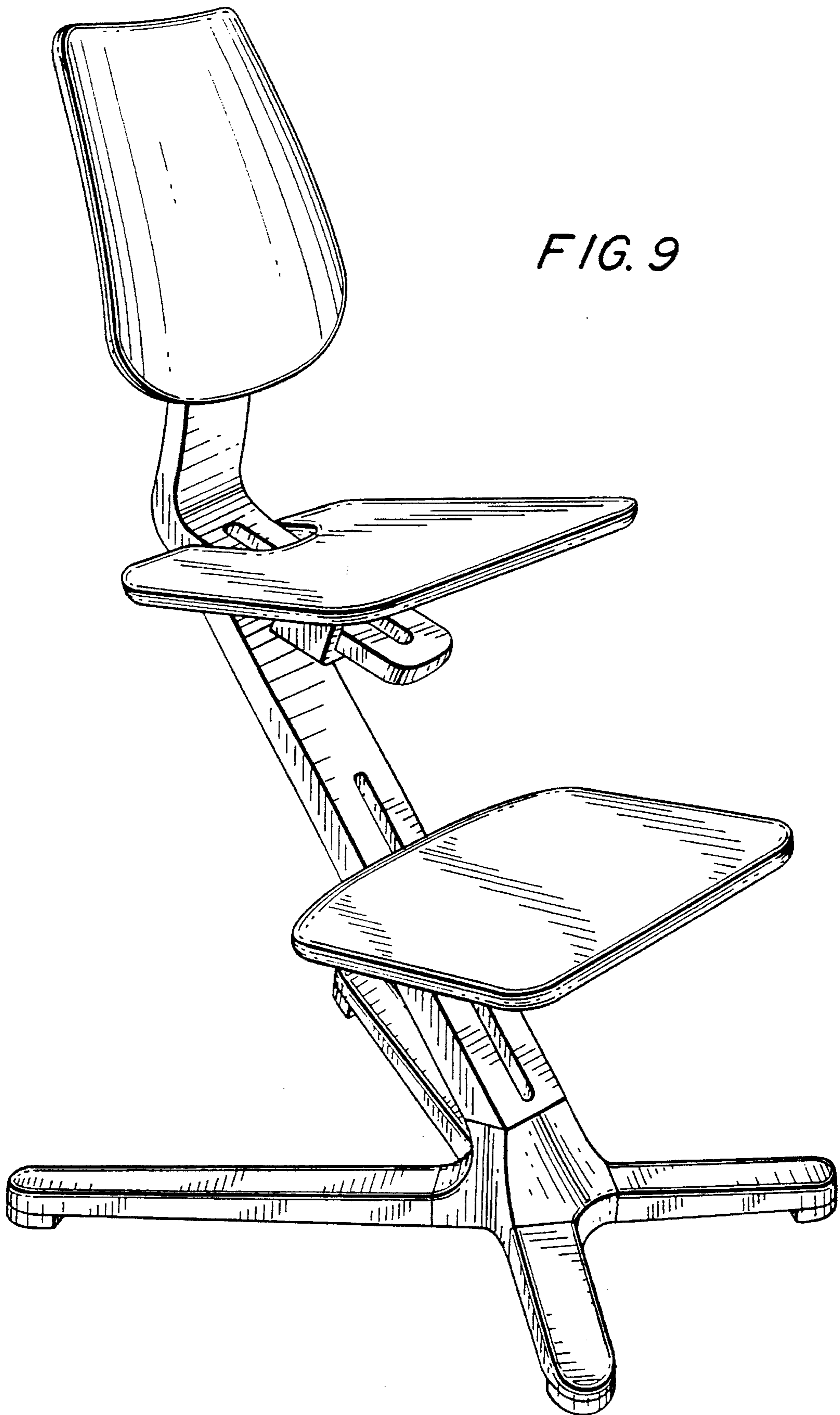


FIG. 9

FIG. 10

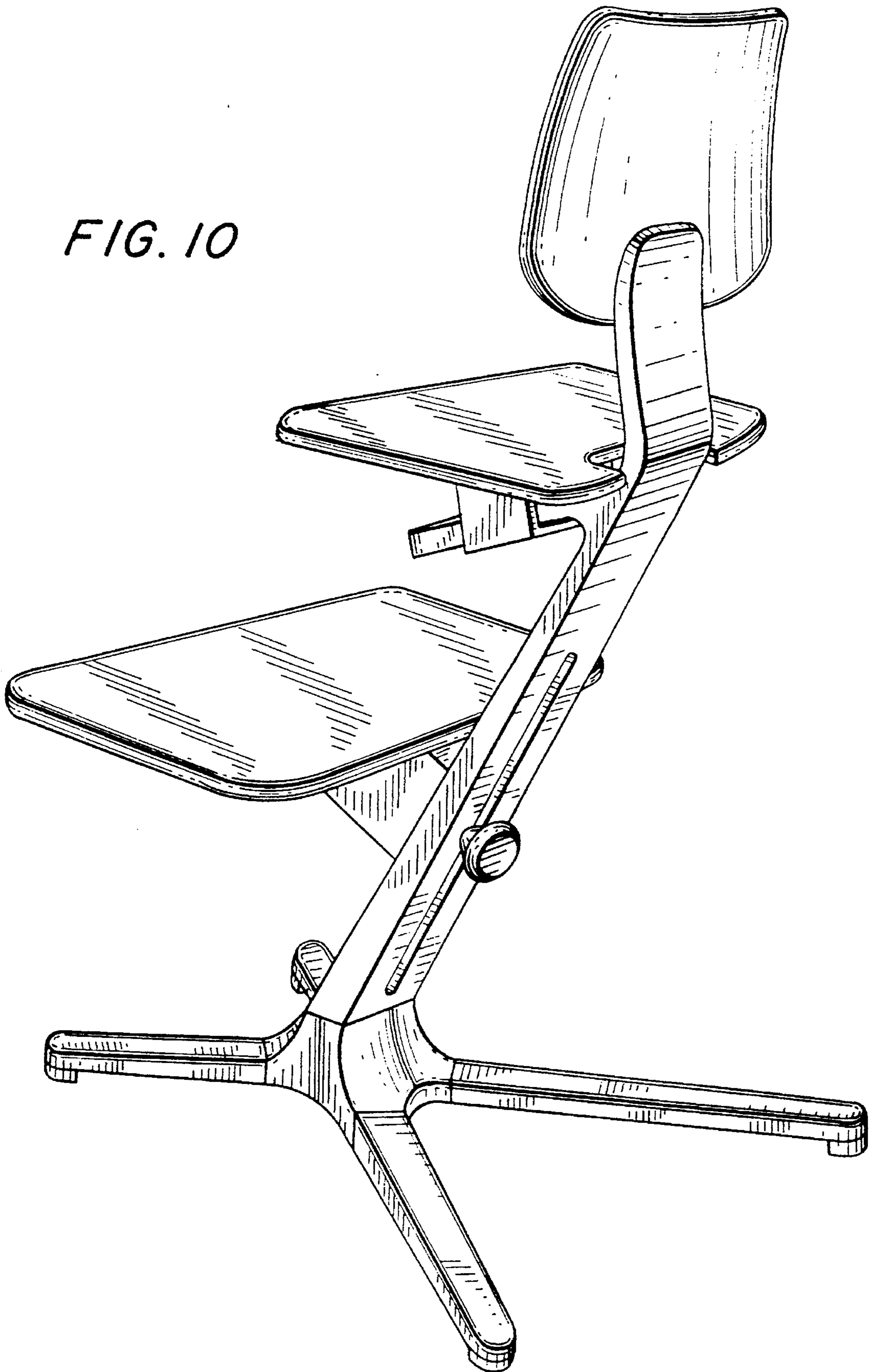


FIG. 11

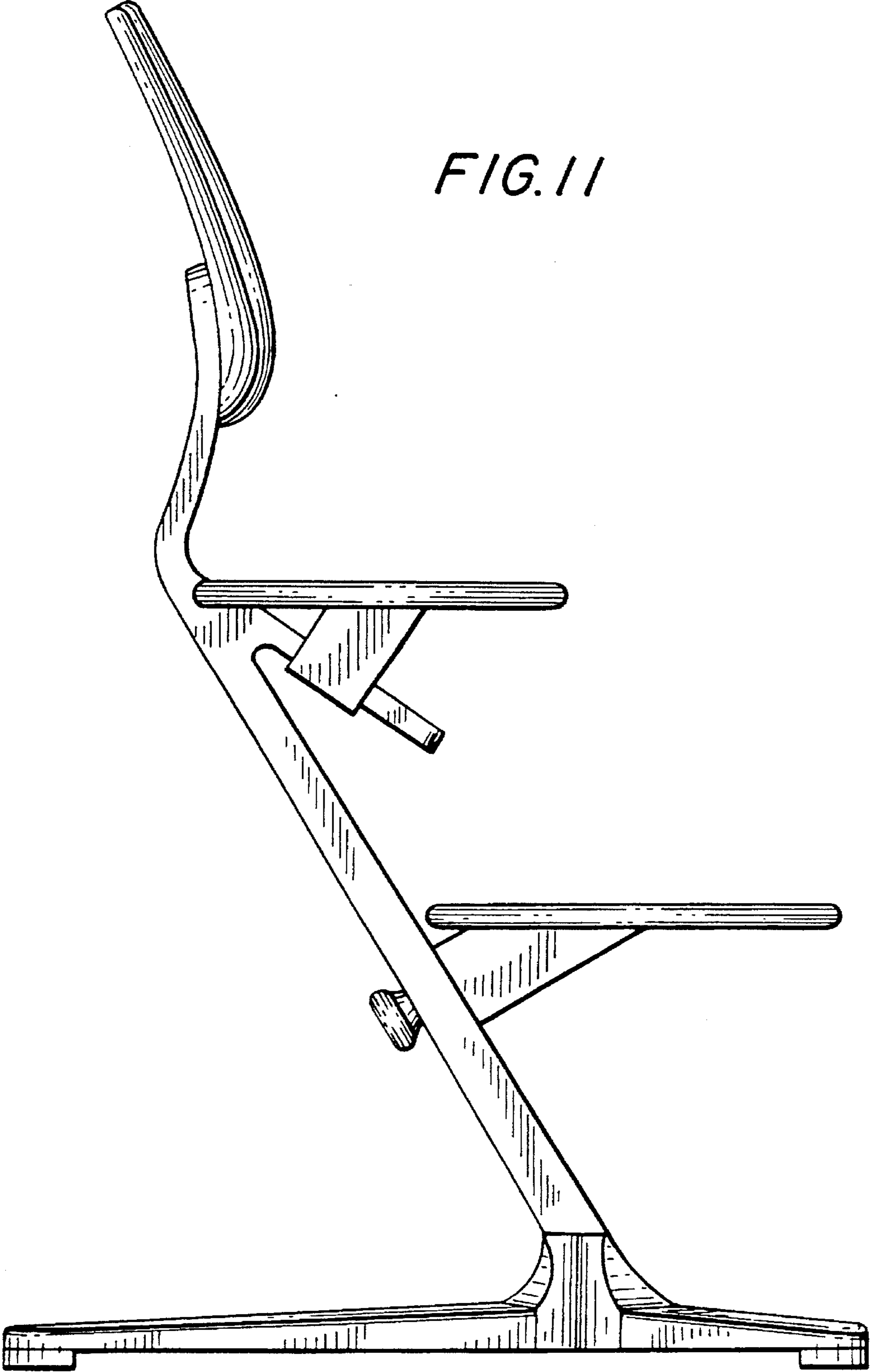


FIG. 12

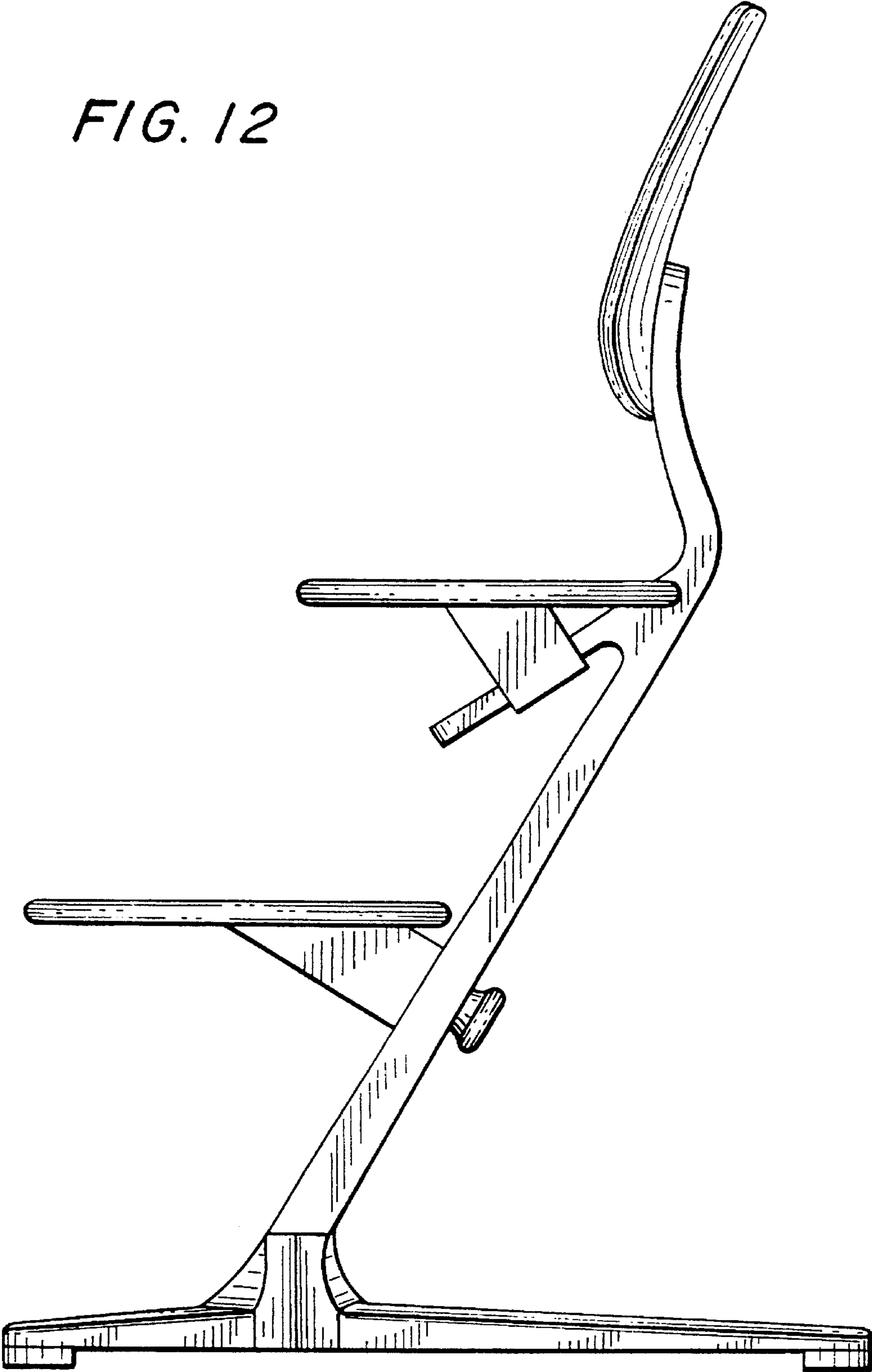


FIG 14

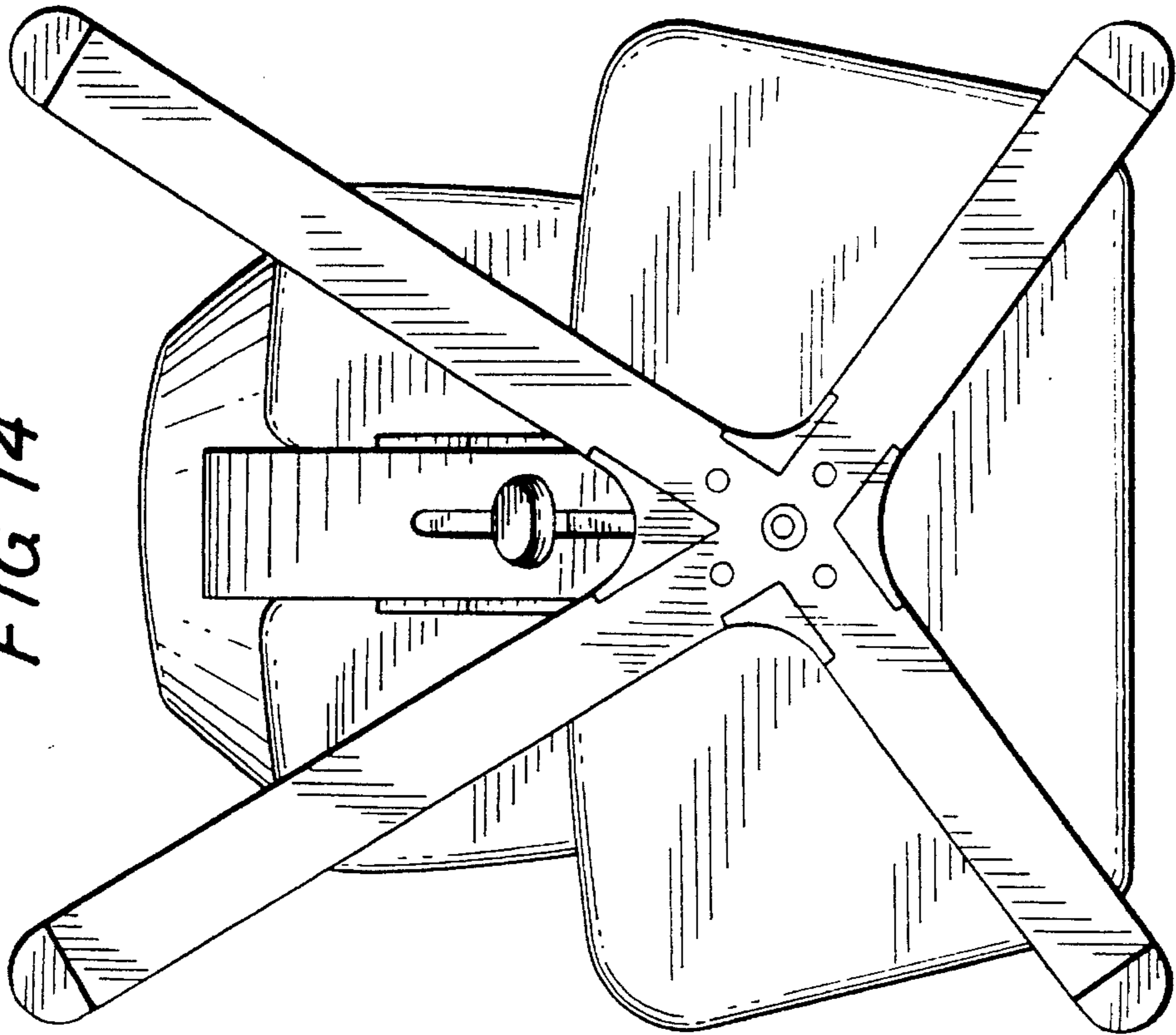


FIG. 13

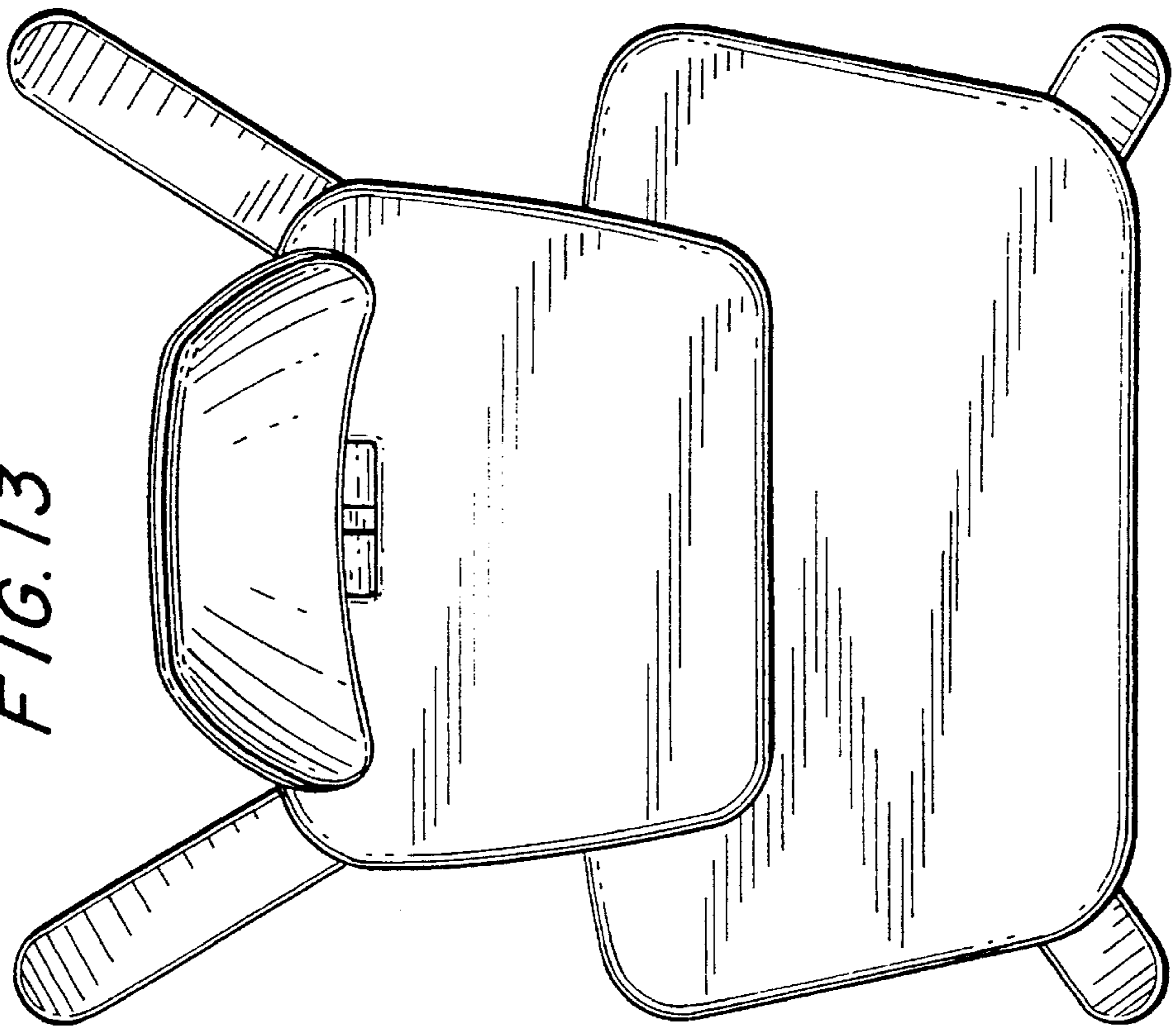


FIG. 15

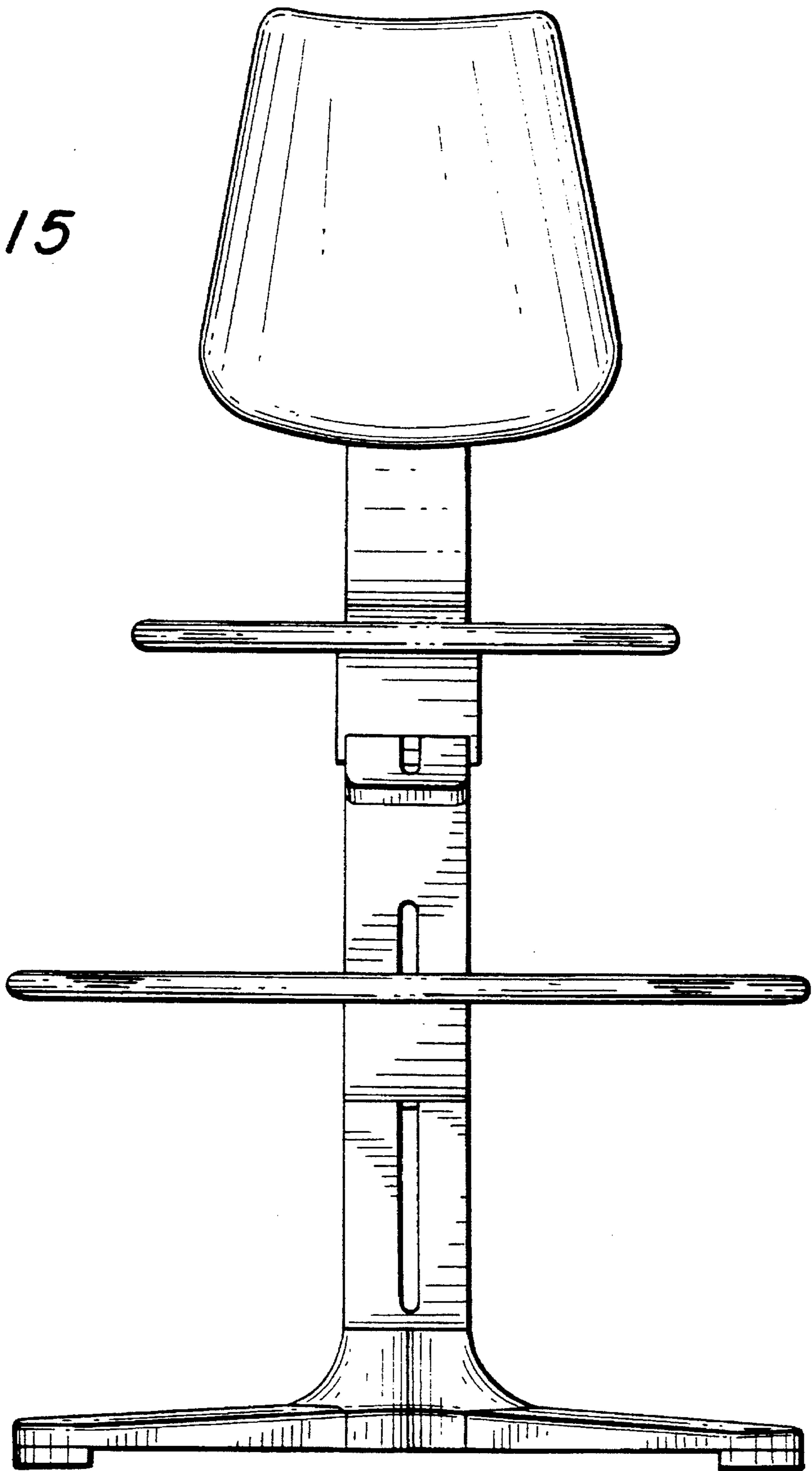


FIG. 16

