



US00D370567S

# United States Patent [19]

[11] Patent Number: **Des. 370,567**

**Veros**

[45] Date of Patent: **\*\*Jun. 11, 1996**

[54] PICTURE HOLDING MOBILE

[57] CLAIM

[76] Inventor: **Gerald Veros**, 2730 NE. 16th Ave.,  
Pompano Beach, Fla. 33064

The ornamental design for a picture holding mobile, as  
shown and described.

[\*\*] Term: **14 Years**

### DESCRIPTION

[21] Appl. No.: **38,906**

FIG. 1 is a front, top perspective view of a picture holding  
mobile showing my new design;

[22] Filed: **May 15, 1995**

FIG. 2 is a top plan view thereof;

[52] U.S. Cl. .... **D6/302**; D11/141

FIG. 3 is a bottom plan view thereof;

[58] Field of Search ..... D6/300-303, 308-314;  
D11/141; 40/152, 152.1, 154-156, 158.1,  
159.1, 159.2; D10/116; D21/63

FIG. 4 is a side elevational view thereof;

FIG. 5 is a front, top perspective view of a picture holding  
mobile showing a further embodiment of my new design;

[56] **References Cited**

FIG. 6 is a front, top perspective view of a picture holding  
mobile showing yet another embodiment of my new design;

#### U.S. PATENT DOCUMENTS

FIG. 7 is an isolated perspective view showing a transparent  
picture holder of my new design;

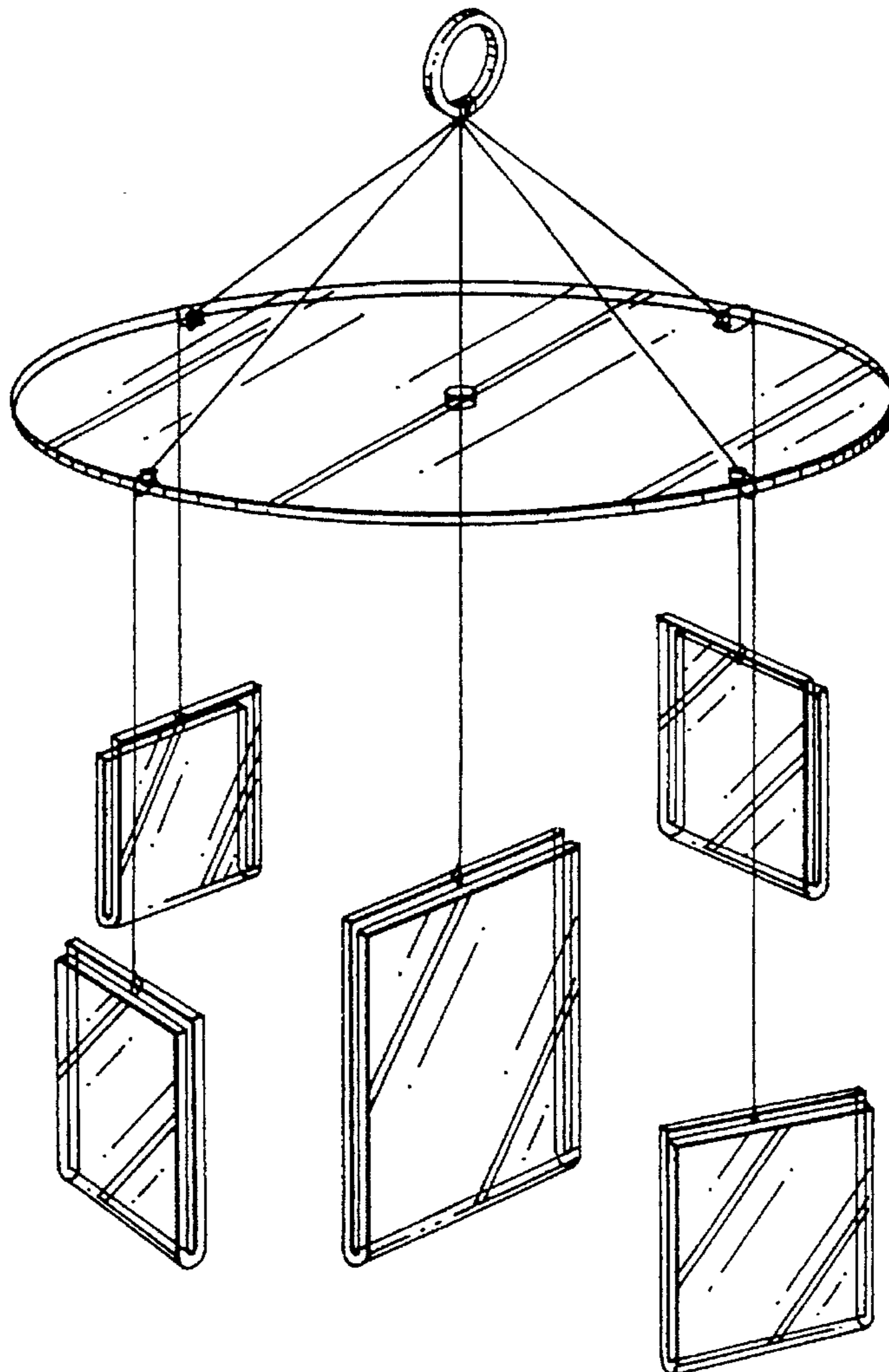
D. 192,399	3/1962	Jacobson	.....	D6/302
D. 227,848	7/1973	Schneider	.....	D6/301
D. 259,773	7/1981	Sweet	.....	D11/141
D. 311,457	10/1990	Shapiro	.....	D6/314

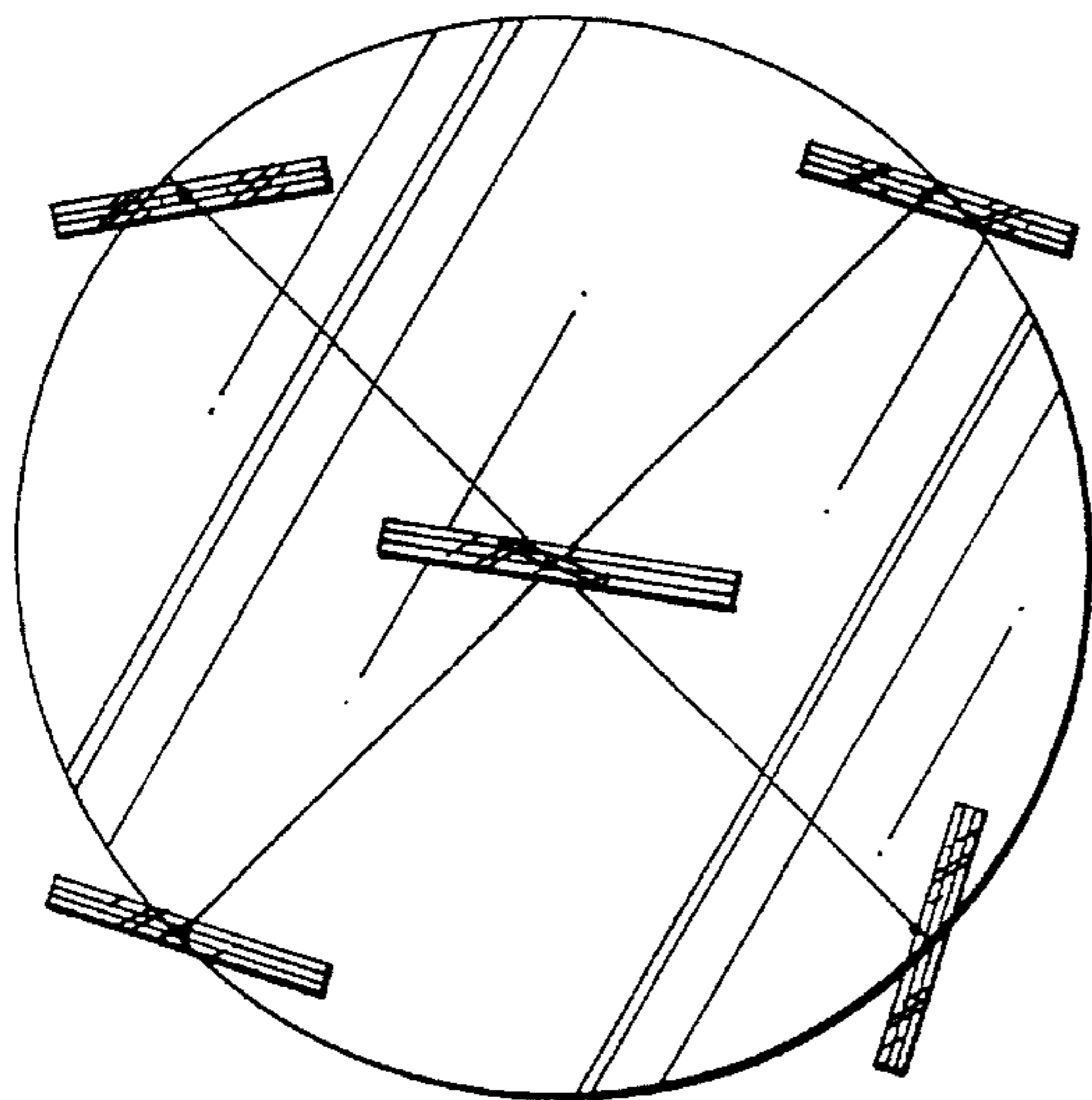
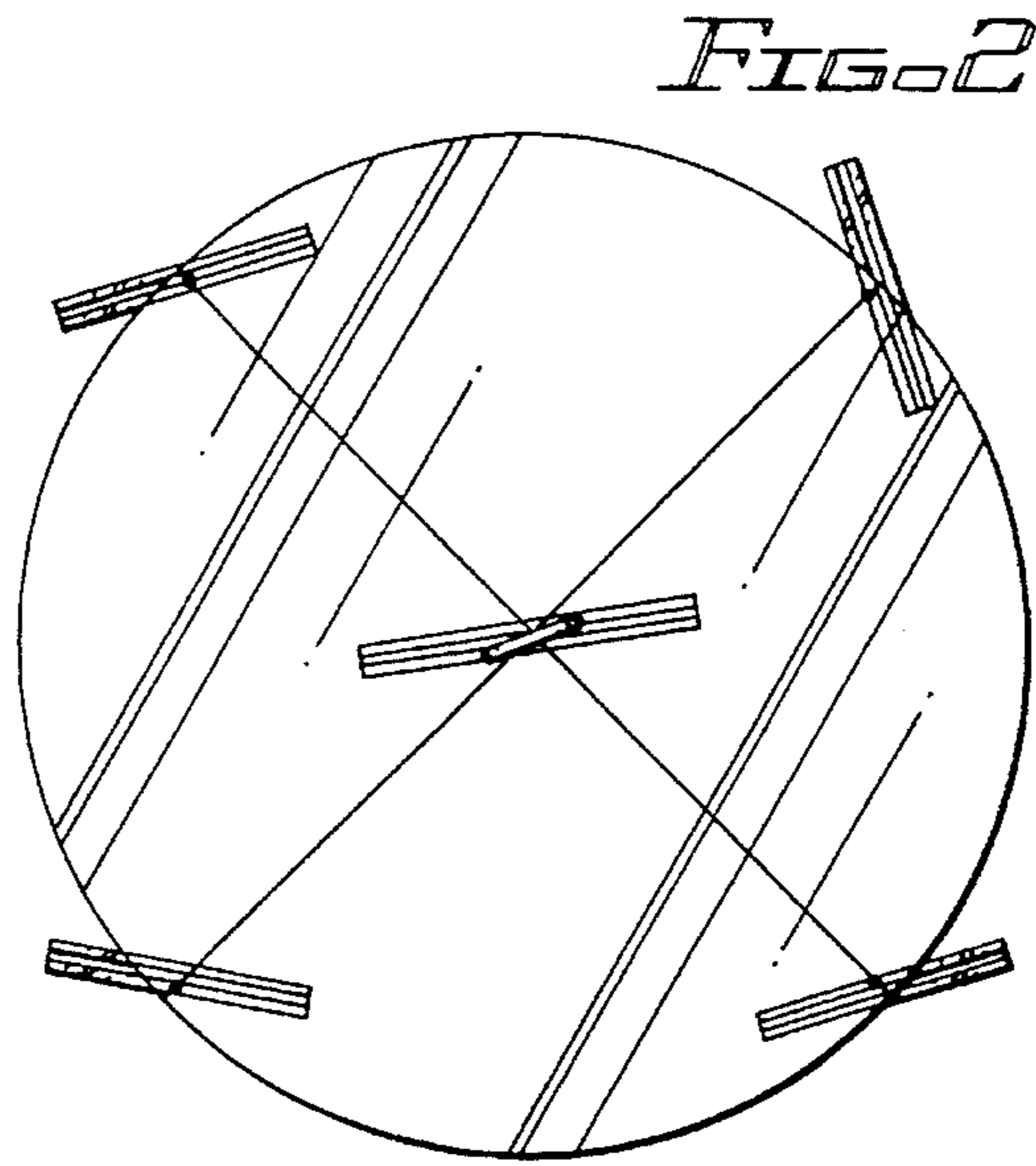
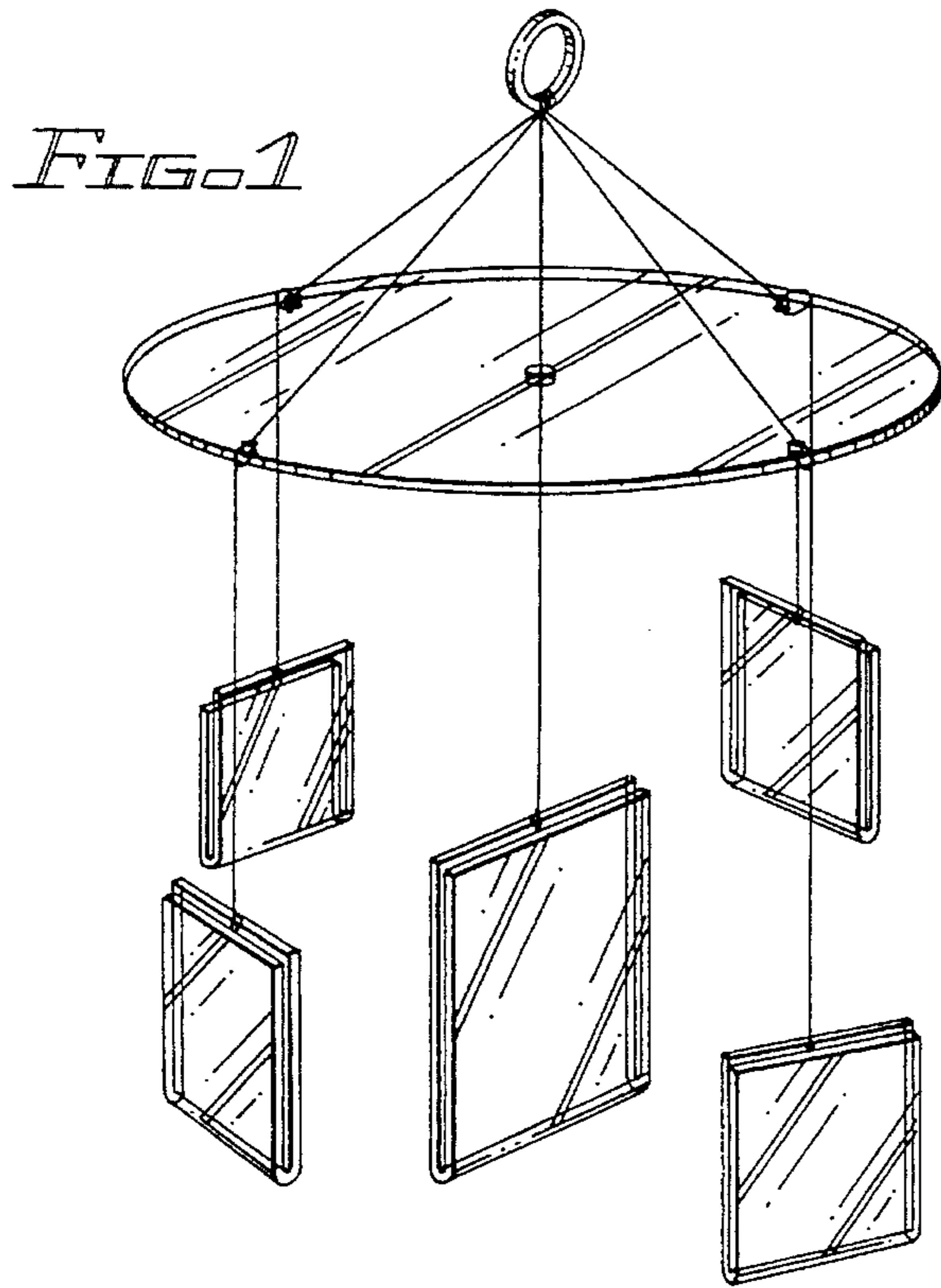
FIG. 8 is a front elevational view of the picture holder of  
FIG. 7; and,

FIG. 9 is a side elevational view of the picture holder of FIG.  
7.

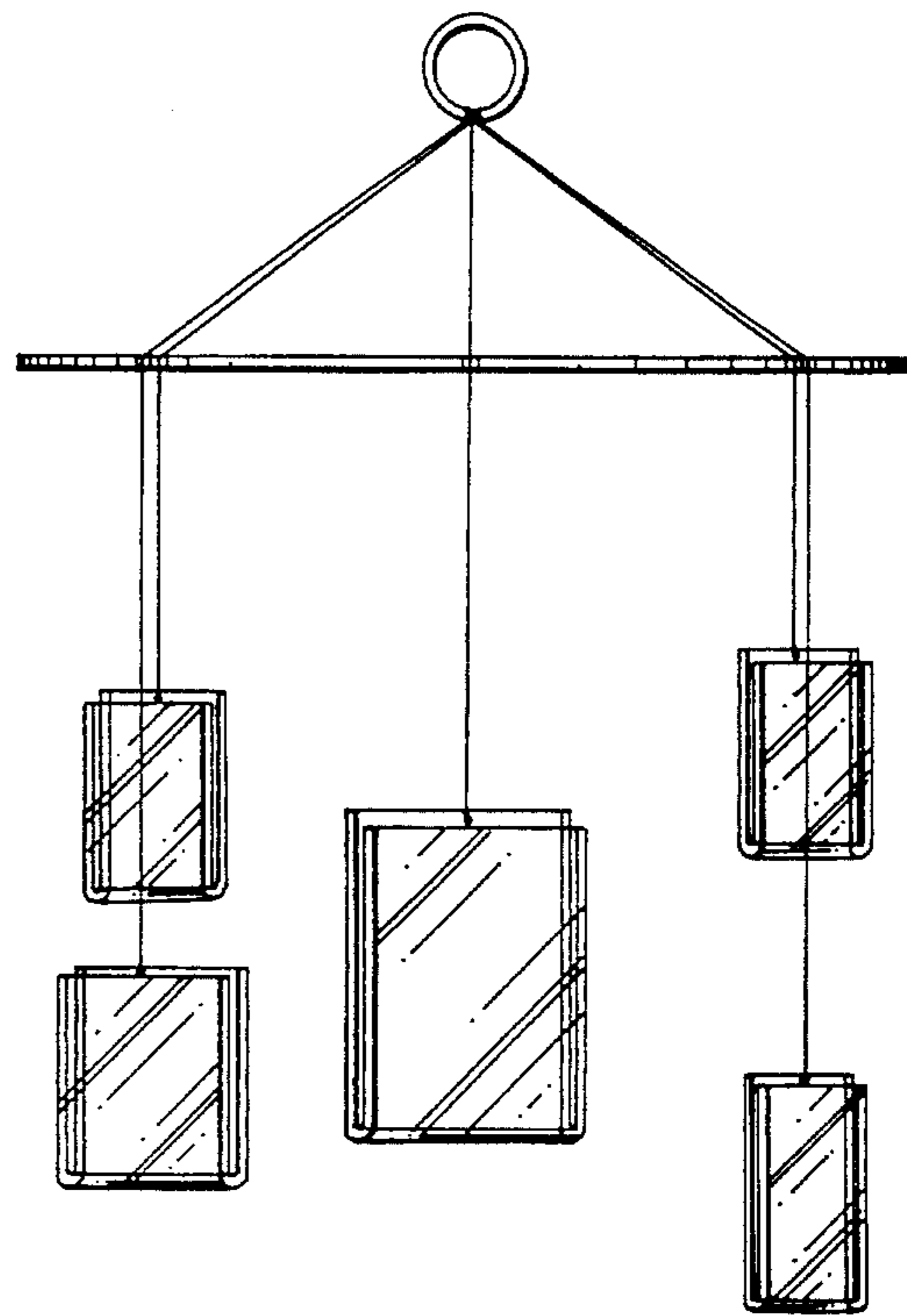
*Primary Examiner*—Janice E. Seeger  
*Attorney, Agent, or Firm*—Robert M. Downey

**1 Claim, 2 Drawing Sheets**





*FIG. 3*



*FIG. 4*

