



US00D370562S

# United States Patent [19]

Arini et al.

[11] Patent Number: **Des. 370,562**

[45] Date of Patent: **\*\*Jun. 11, 1996**

[54] STORAGE BAG

[76] Inventors: **Anna Arini; T. Kalvin**, both of 315 Lange Ave., Troy, Mich. 48098

[\*\*] Term: **14 Years**

[21] Appl. No.: **39,146**

[22] Filed: **May 22, 1995**

[52] U.S. Cl. .... **D3/271; D3/234; D9/307**

[58] Field of Search ..... D3/234, 269, 270, D3/271, 276, 287; D7/710; D9/307; D21/105, 107, 108; 220/23.4, 23.6; 206/457; 190/100, 113, 115

[56] **References Cited**

**U.S. PATENT DOCUMENTS**

D. 202,403	9/1965	Craig	.....	D3/271
D. 328,390	8/1992	MacDonald et al.	.....	D3/270
D. 344,626	3/1994	Landa	.....	D3/271
D. 346,273	4/1994	Lucas	.....	D3/271

D. 362,547	9/1995	Dell et al.	.....	D3/282
4,708,253	11/1987	Mednis	.....	220/23.6
4,711,356	12/1987	Dunden	.....	220/23.6

*Primary Examiner*—Philip S. Hyder  
*Attorney, Agent, or Firm*—Harpman & Harpman

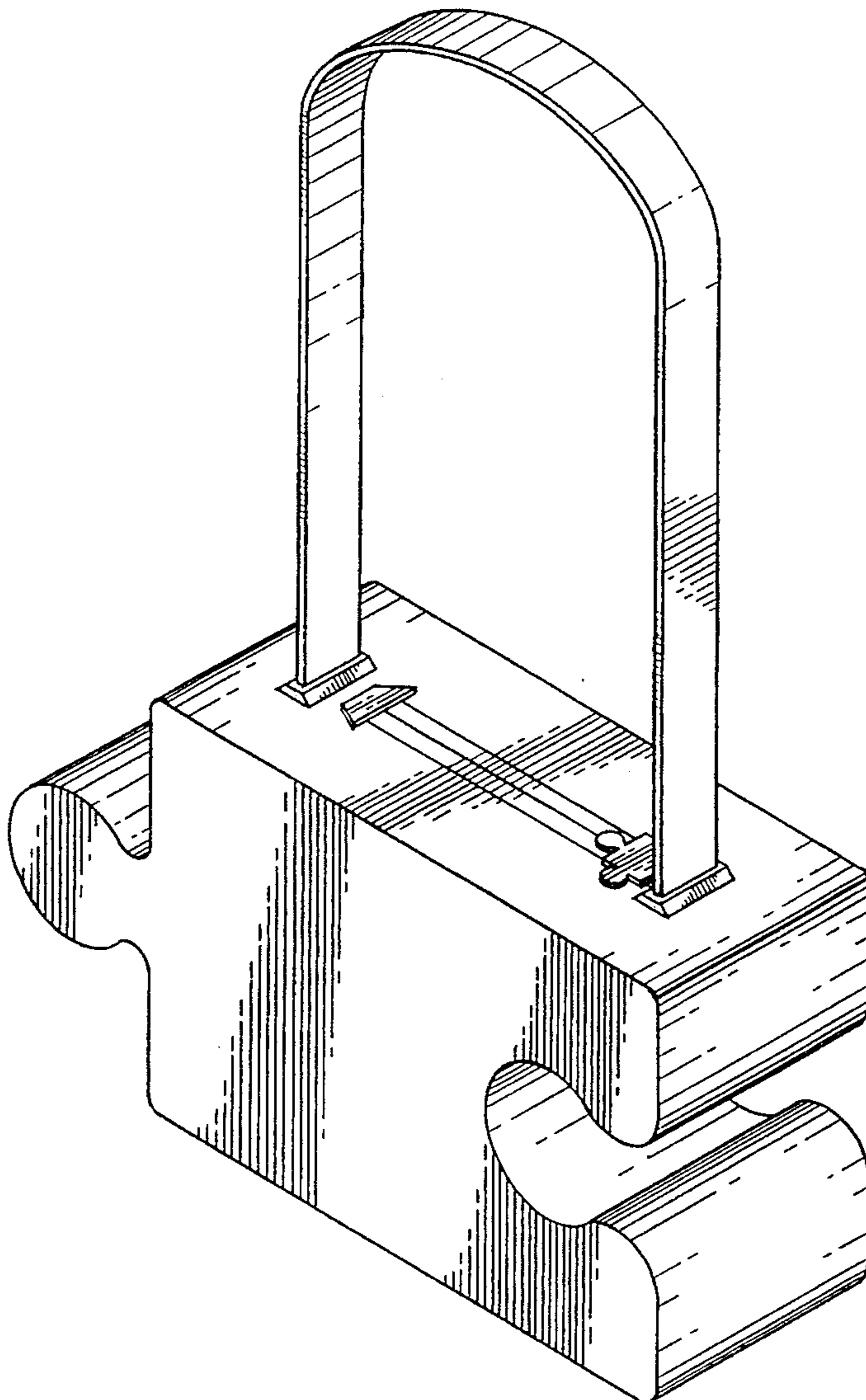
[57] **CLAIM**

The ornamental design for a storage bag, as shown and described.

**DESCRIPTION**

FIG. 1 is a front, top and side perspective view of storage bag showing my new design;  
FIG. 2 is a front elevational view thereof;  
FIG. 3 is a rear elevational view thereof;  
FIG. 4 is a right side elevational view thereof;  
FIG. 5 is a left side elevational view thereof;  
FIG. 6 is a top plan view thereof; and,  
FIG. 7 is a bottom plan view thereof.

**1 Claim, 3 Drawing Sheets**



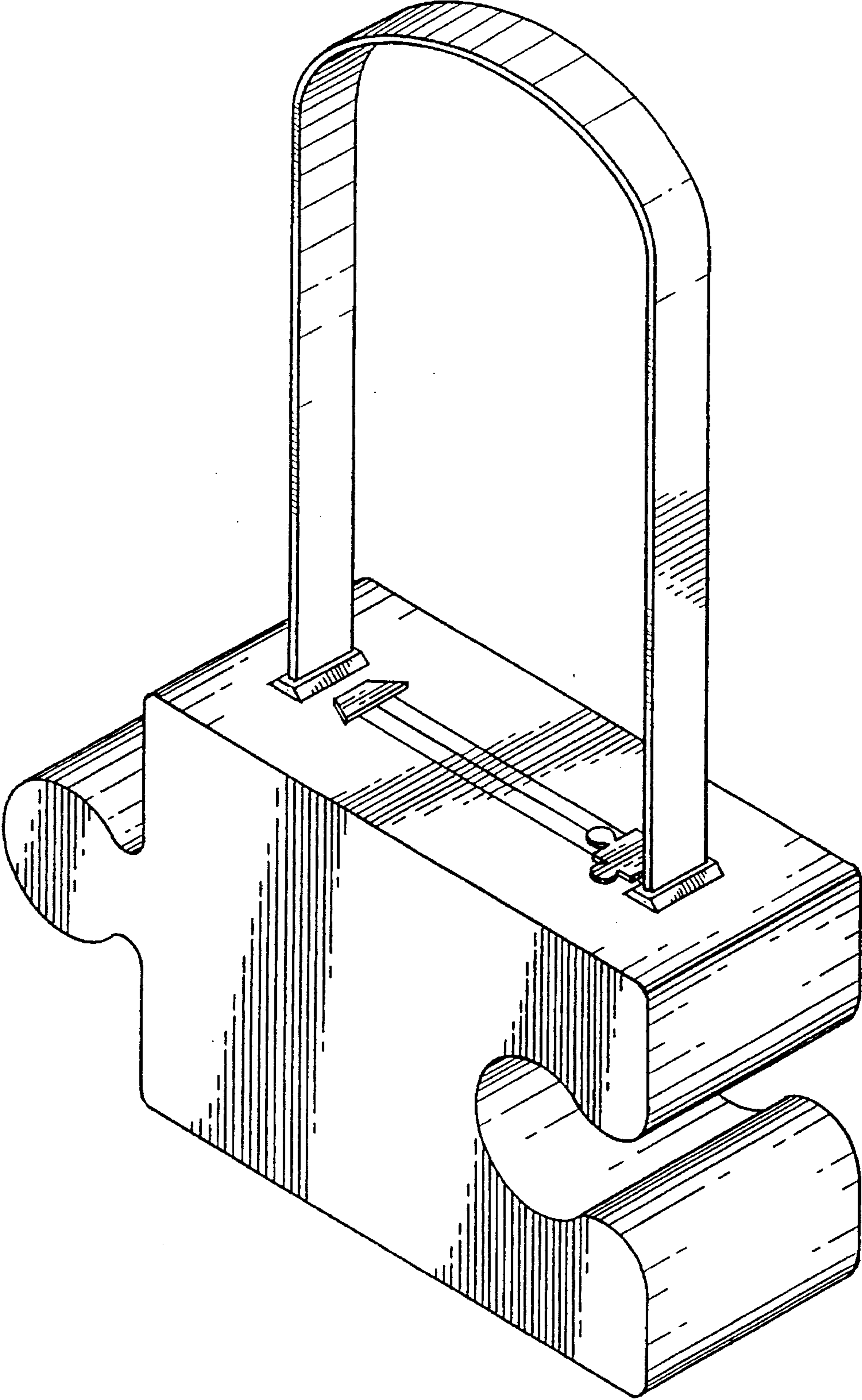


FIG. 1

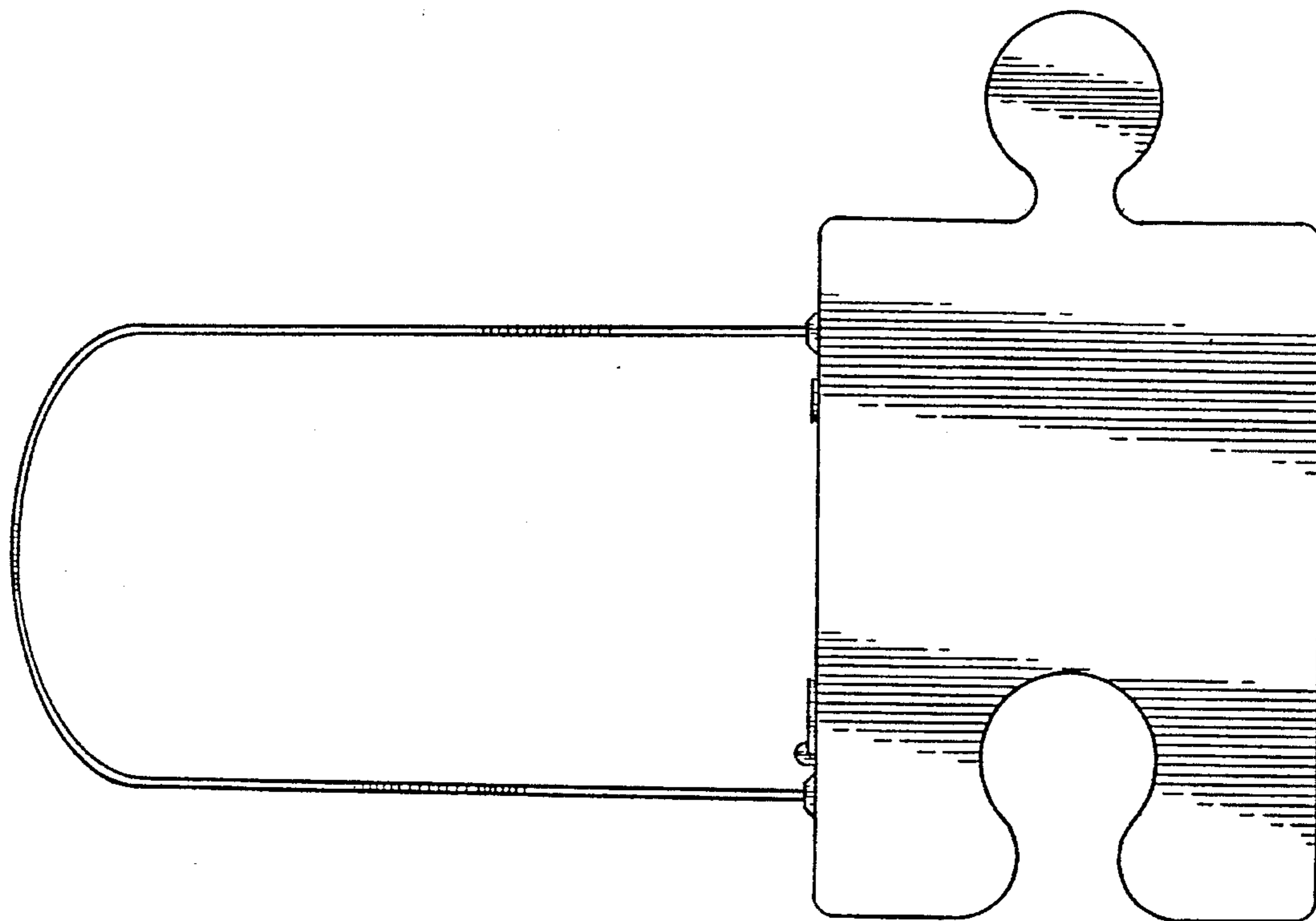


FIG. 3

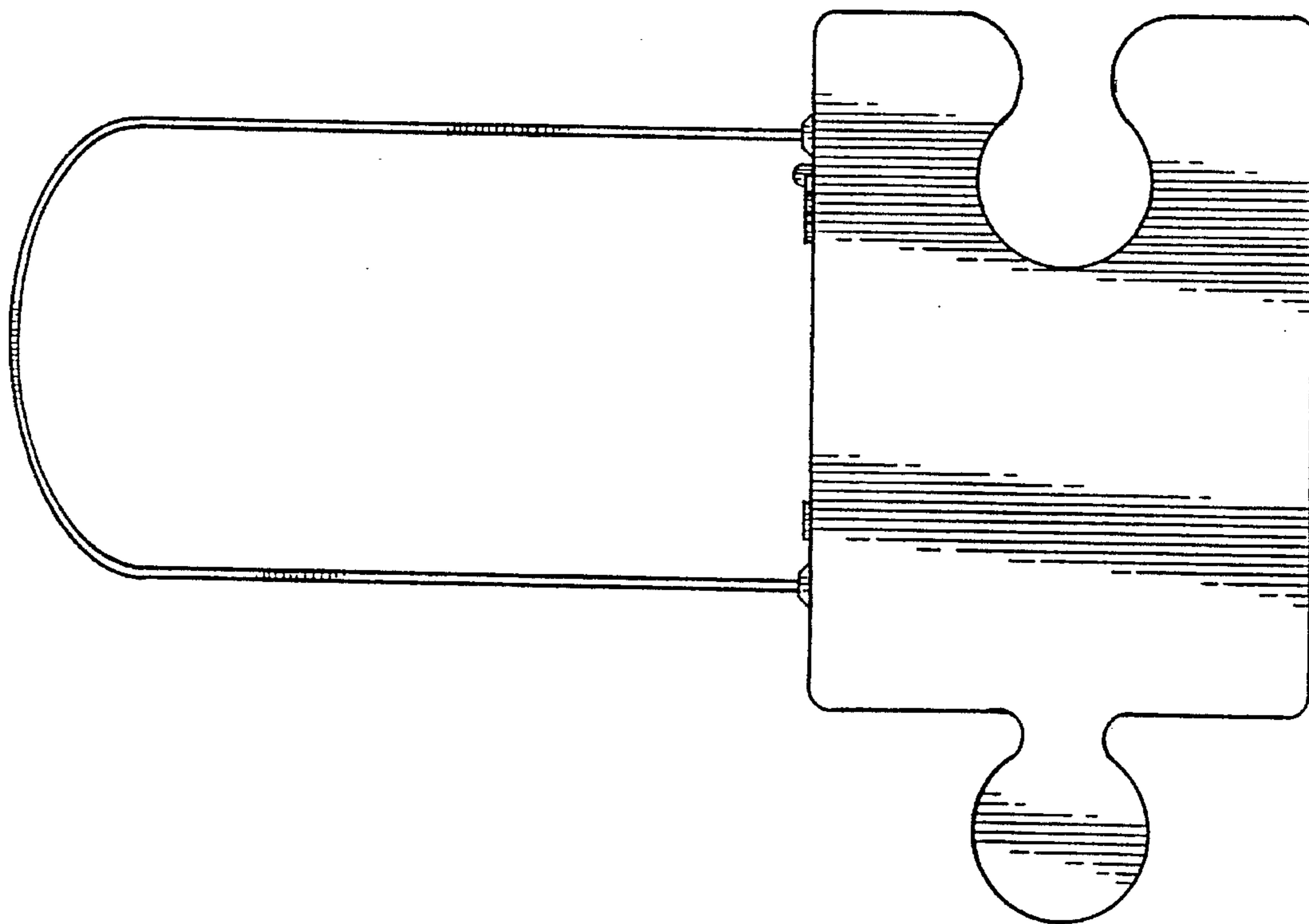


FIG. 2

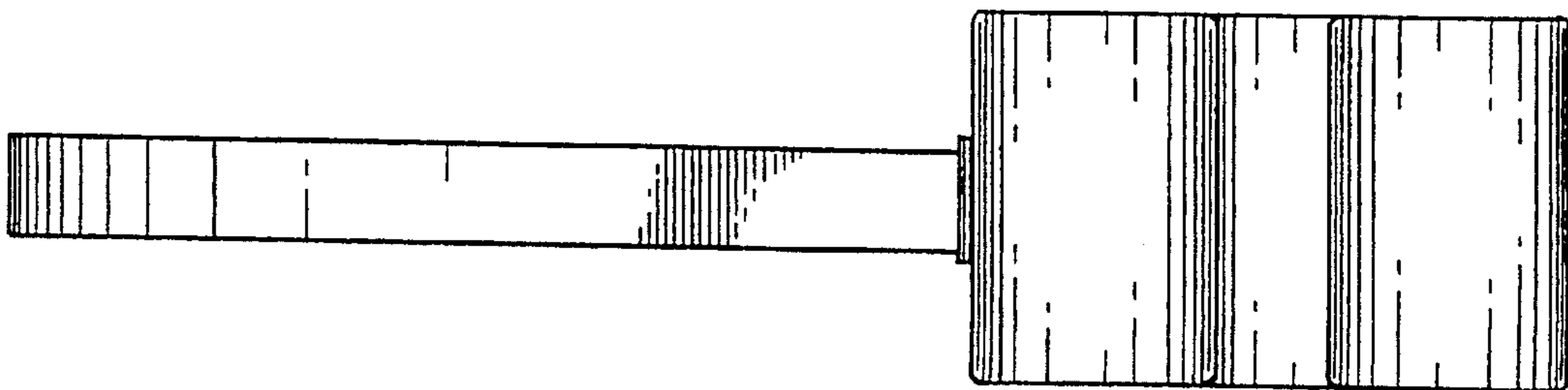


FIG. 4

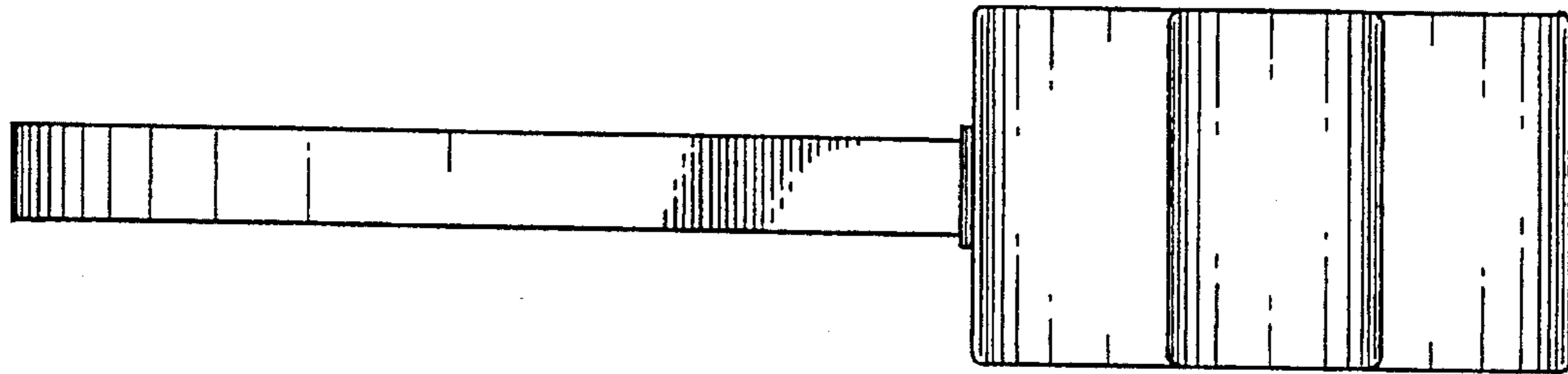


FIG. 5

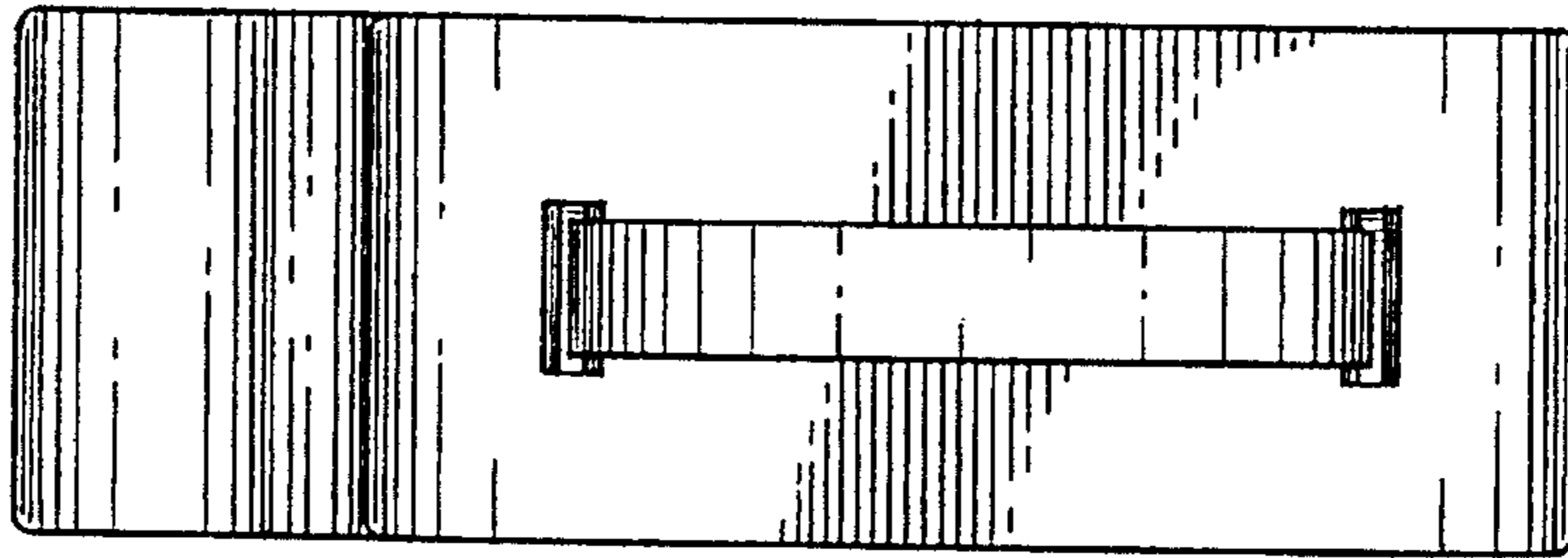


FIG. 6

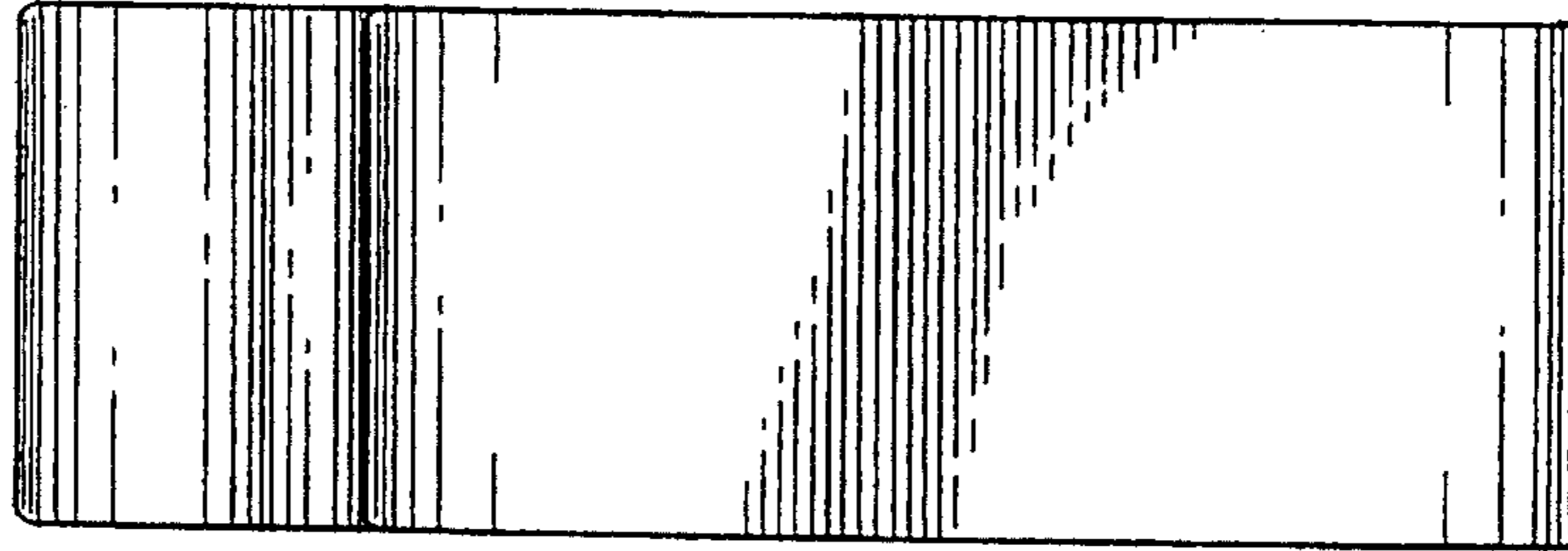


FIG. 7