



US00D370559S

United States Patent [19]

[11] Patent Number: **Des. 370,559**

Arndt

[45] Date of Patent: ****Jun. 11, 1996**

[54] CARRIER FOR A PAINT CAN

5,016,791 5/1991 Burow 224/226 X

[76] Inventor: **Edward J. Arndt**, 720 Forest Ave.,
South Bend, Ind. 46616

Primary Examiner—Doris V. Coles
Assistant Examiner—Catherine R. Oliver
Attorney, Agent, or Firm—Brett A. Schenck

[**] Term: **14 Years**

[57] CLAIM

[21] Appl. No.: **27,448**

The ornamental design for a carrier for a paint can, as shown and described.

[22] Filed: **Aug. 22, 1994**

[52] U.S. Cl. **D3/229**

DESCRIPTION

[58] **Field of Search** D3/229, 215, 218,
D3/226, 228, 221; 224/182, 191, 224, 226,
232, 253, 148, 904, 918, 252, 251, 269;
D8/395, 396, 394, 373, 372, 356

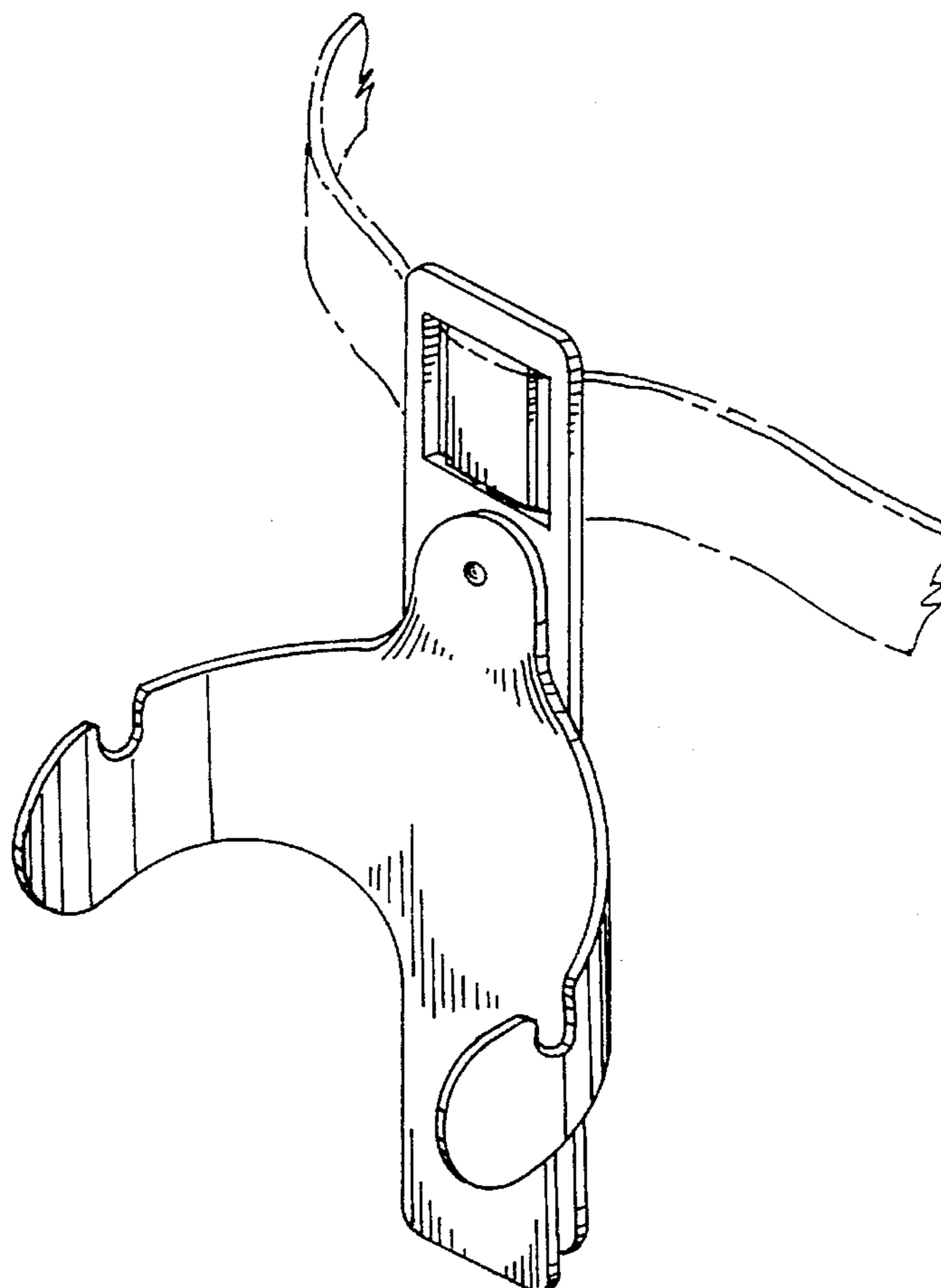
FIG. 1 is a top, front and side perspective view of a carrier for a paint can showing my new design;
FIG. 2 is a top, front and side perspective view thereof shown with the mounting part positioned angularly from that shown in FIG. 1;
FIG. 3 is a front elevational view thereof;
FIG. 4 is a left side elevational view thereof;
FIG. 5 is a rear elevational view thereof;
FIG. 6 is a right side elevational view thereof;
FIG. 7 is a top plan view thereof; and,
FIG. 8 is a bottom plan view thereof.
The broken line showing of the belt in FIG. 1 is for illustrative purposes only and forms no part of the claimed design.

[56] References Cited

U.S. PATENT DOCUMENTS

D. 171,247	1/1954	Charnota	D3/226
D. 269,156	5/1983	Slinkard	D8/396
D. 281,393	11/1985	Karnhag et al.	D8/395
D. 286,949	12/1986	Hardman	D3/229
D. 287,905	1/1987	Oyamada	D3/218
D. 291,650	9/1987	Monzen	D8/396 X
D. 303,159	8/1989	Heath	D8/395 X
D. 313,169	12/1990	Scott et al.	D8/373
D. 314,325	2/1991	Ziaylek, Jr. et al.	D8/395 X
D. 354,677	1/1995	Troyer	D8/396

1 Claim, 3 Drawing Sheets



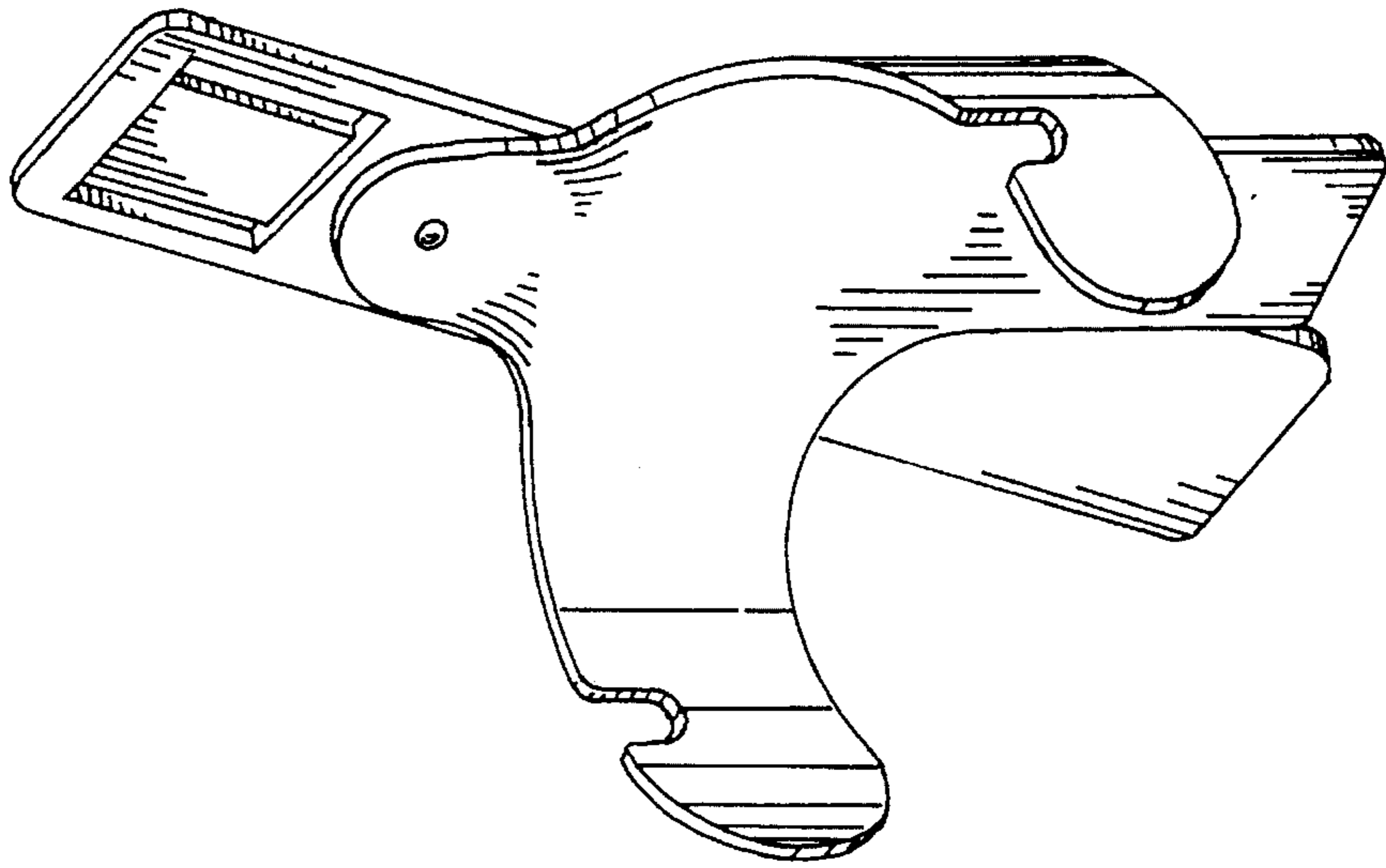


FIG. 2

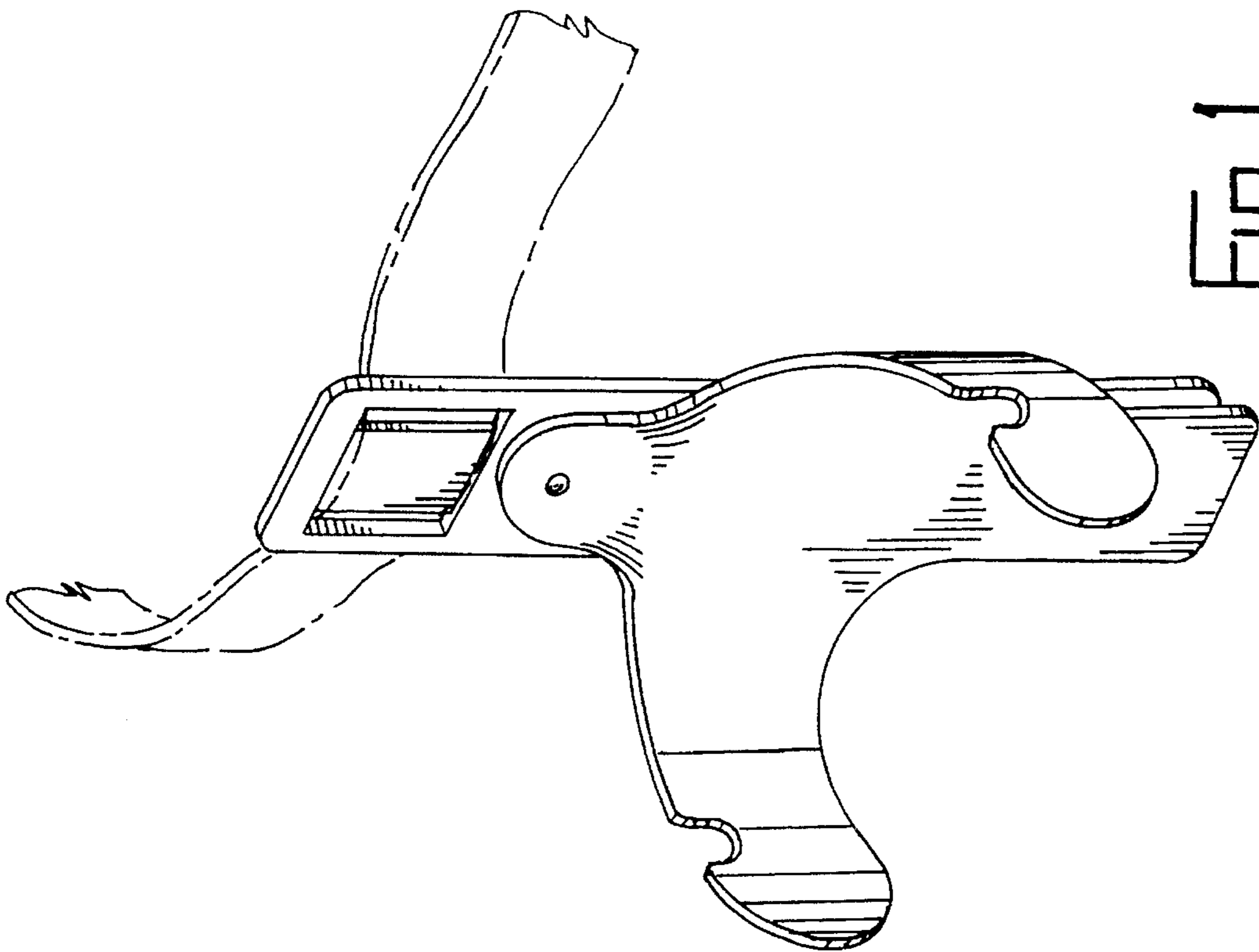


FIG. 1

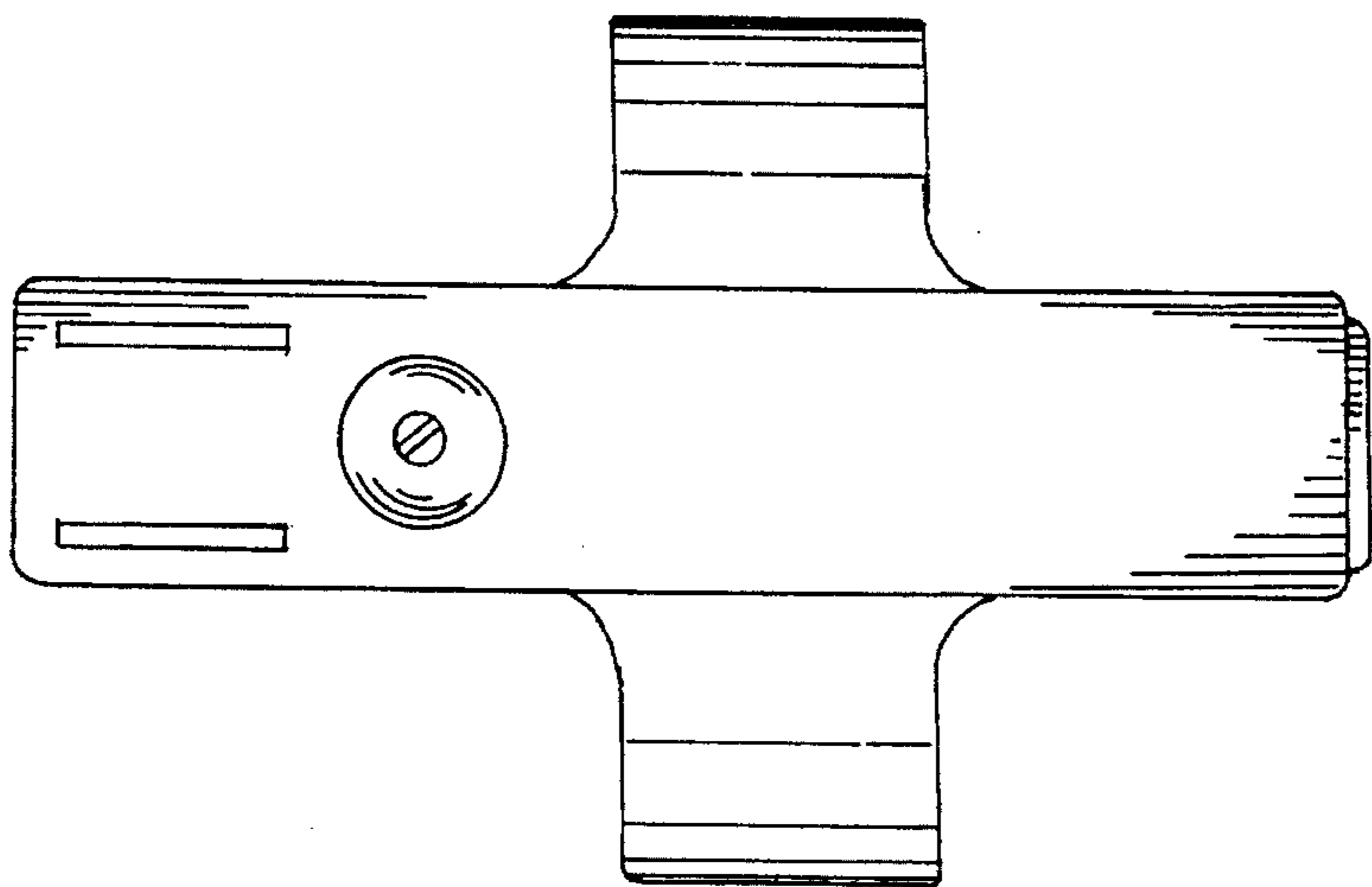


FIG. 5

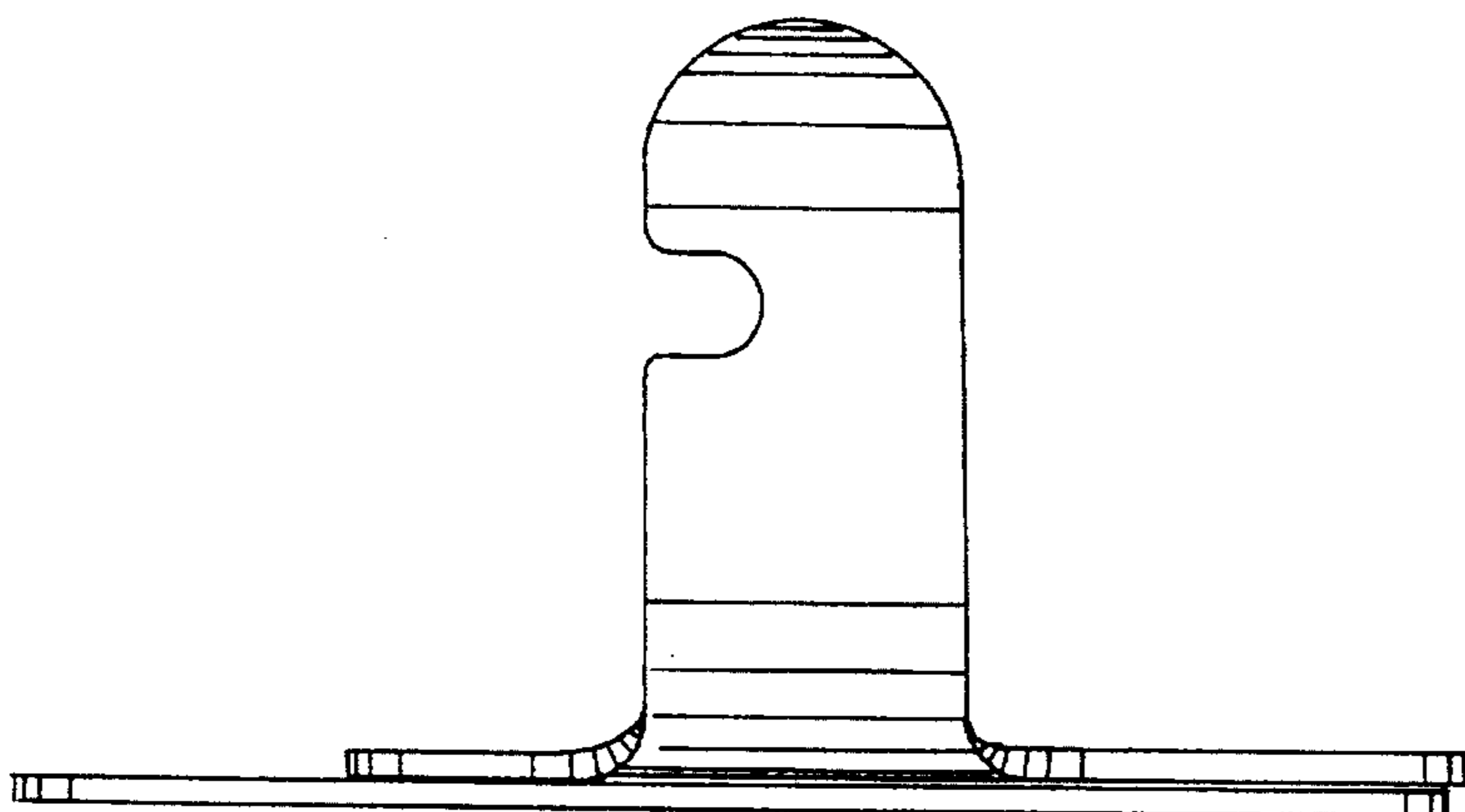


FIG. 4

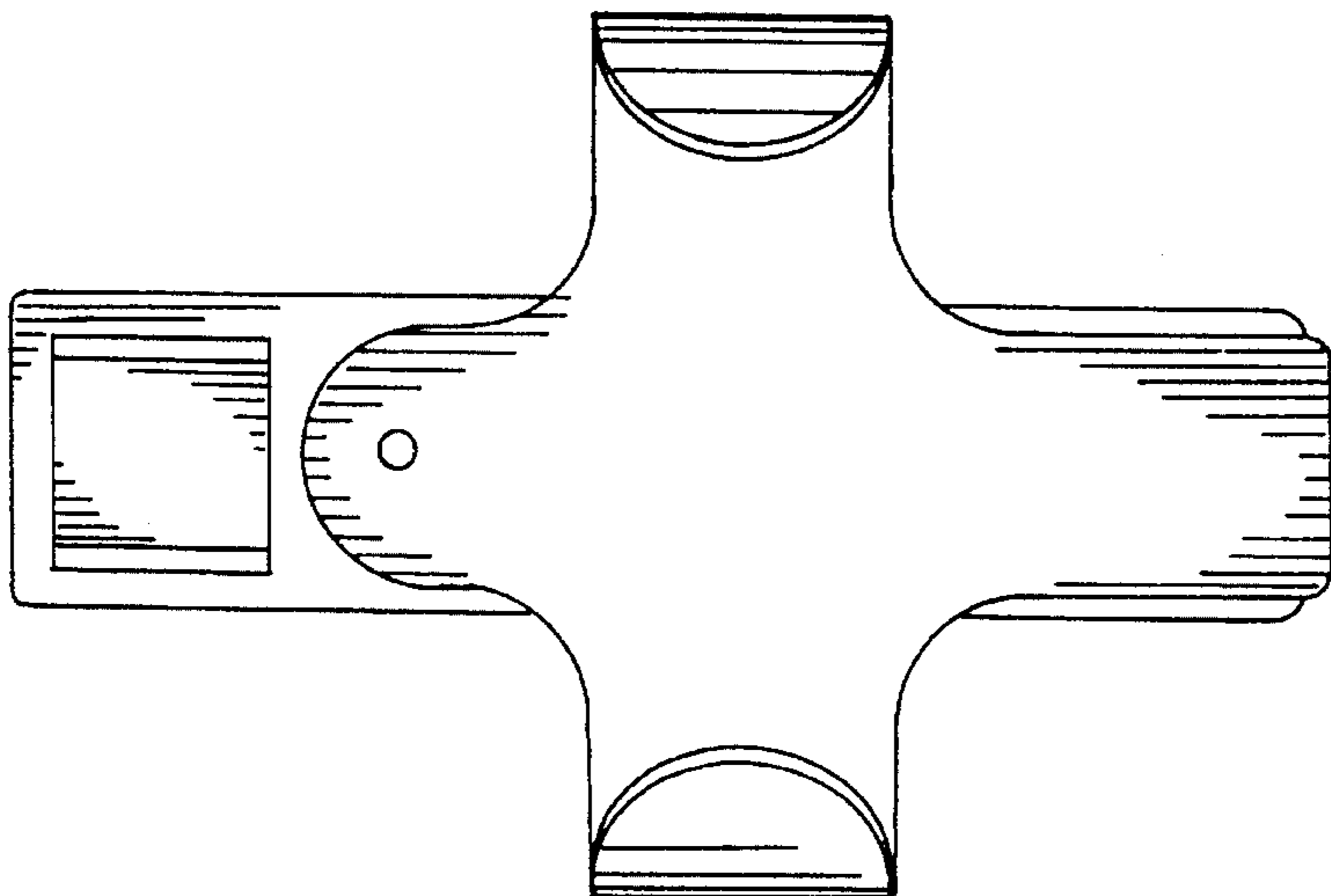


FIG. 3

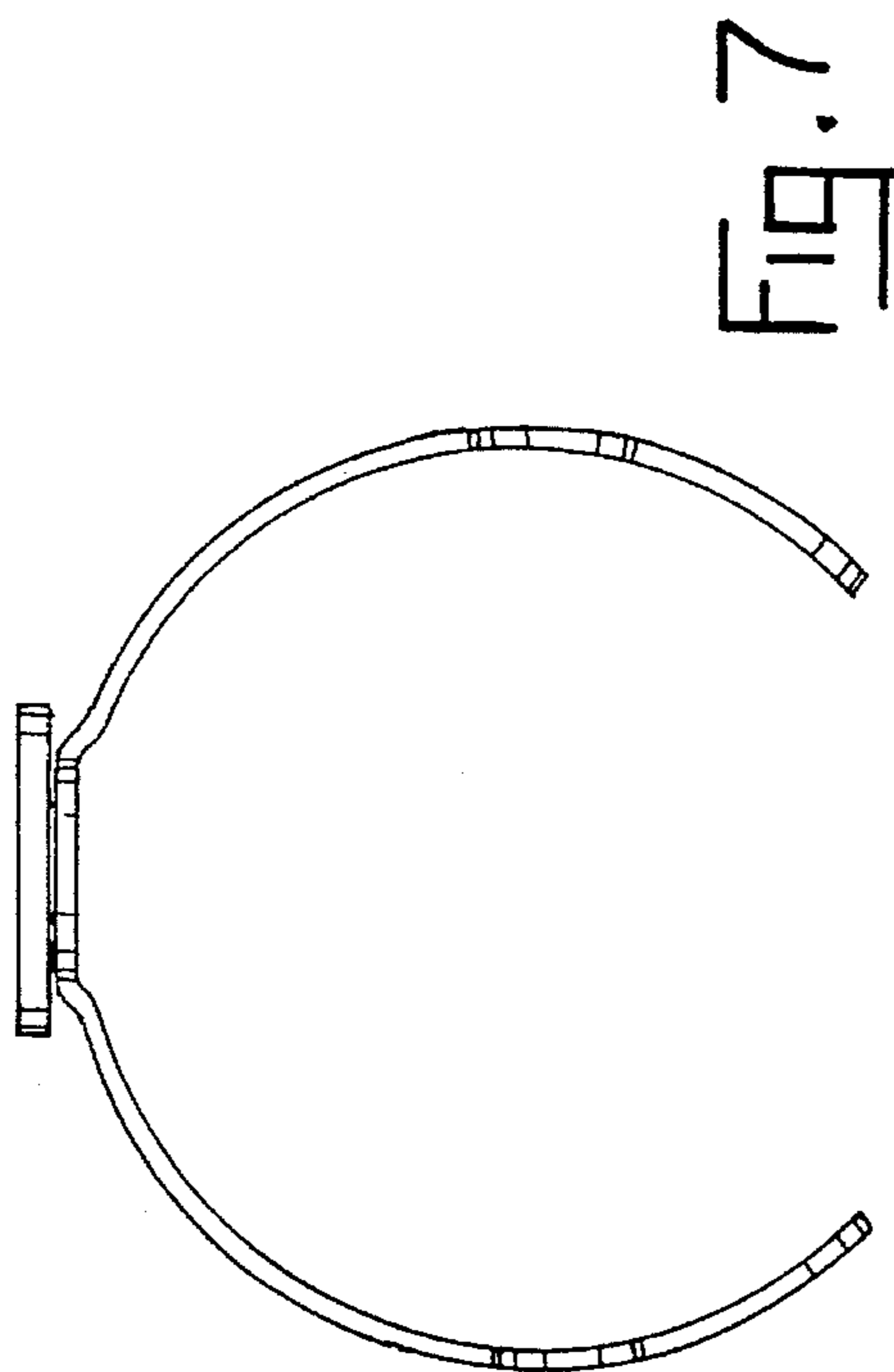


FIG. 7

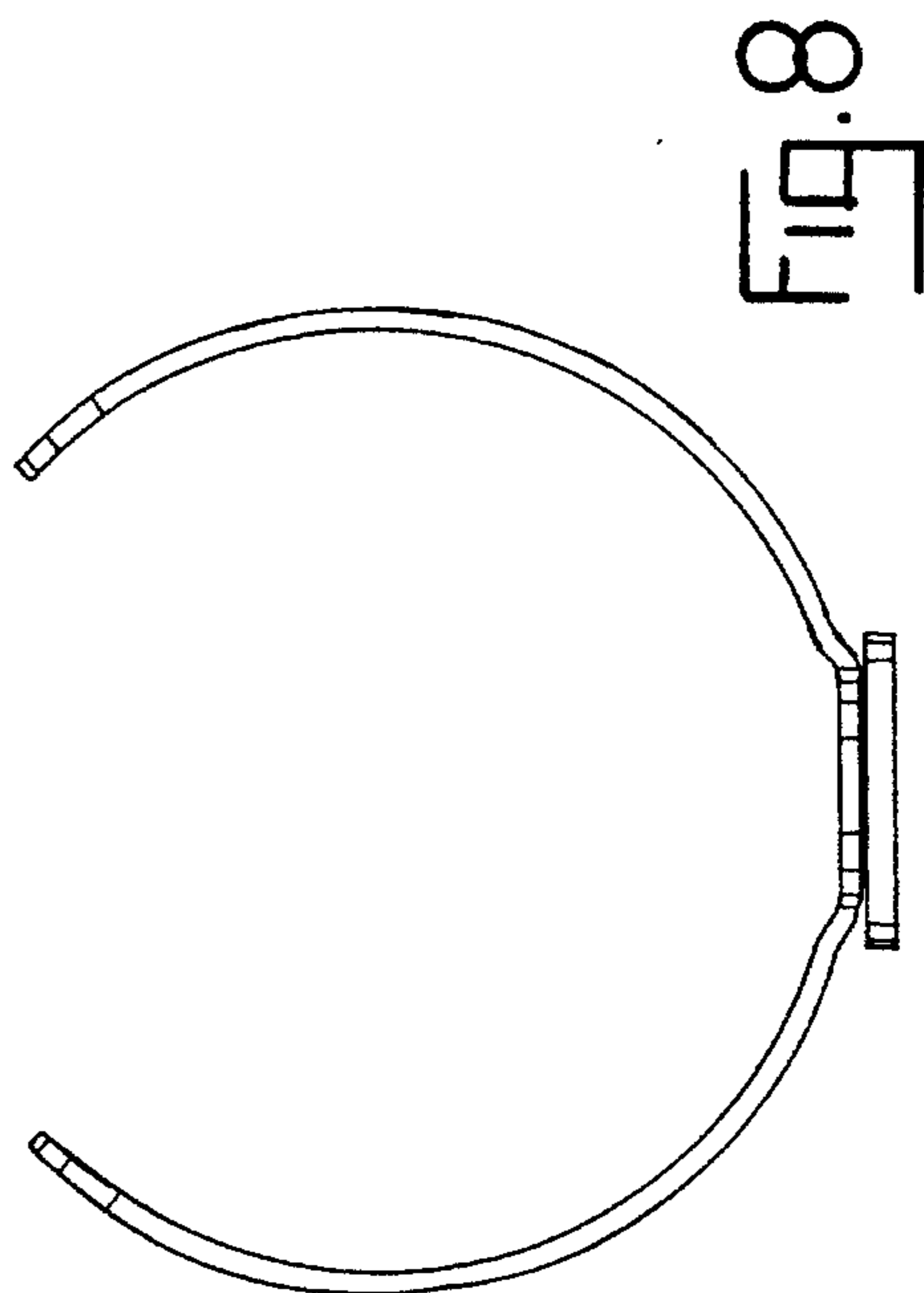


FIG. 8

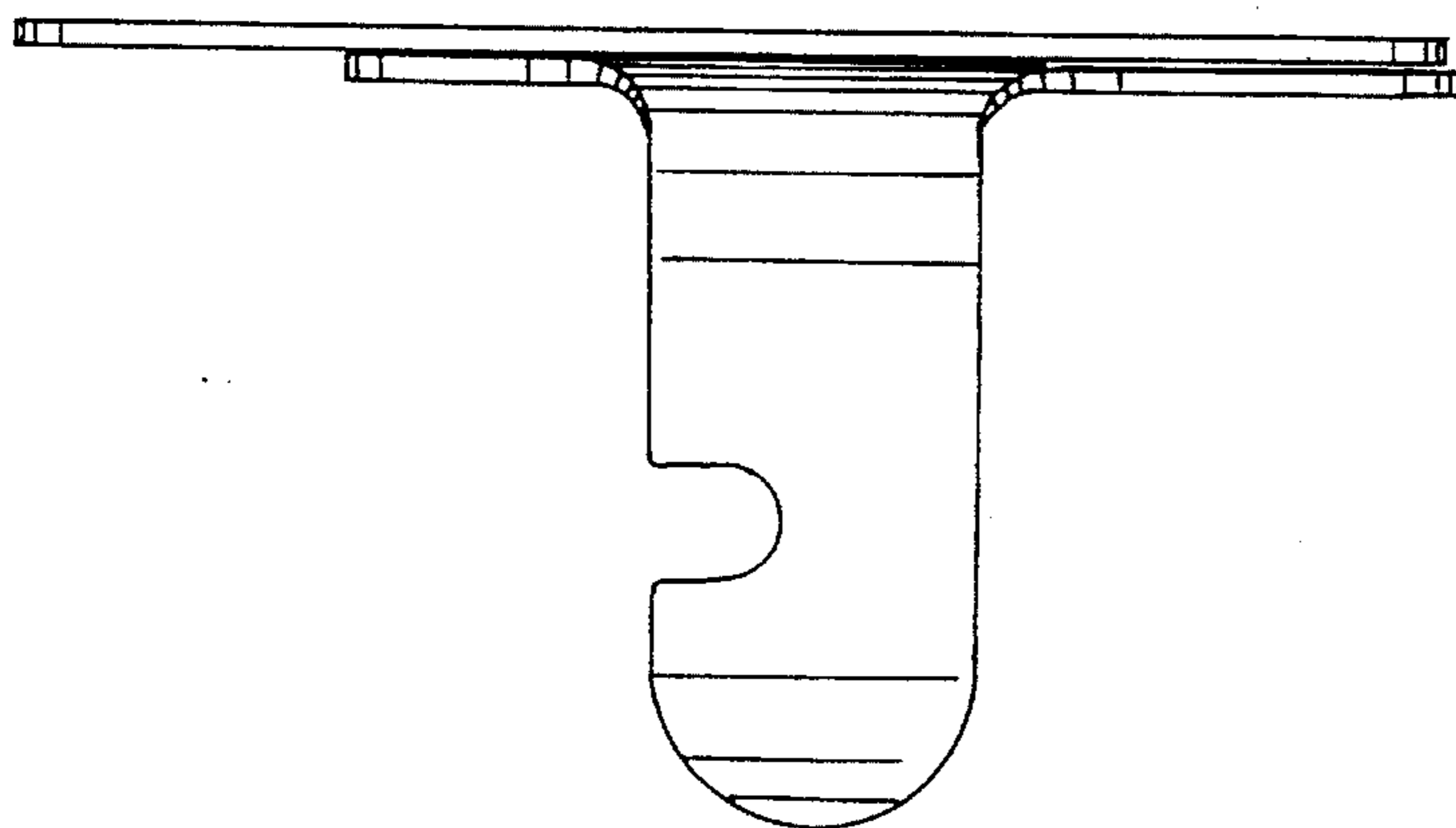


FIG. 6