



US00D370549S

United States Patent [19]
Huang

[11] **Patent Number:** **Des. 370,549**
[45] **Date of Patent:** ****Jun. 4, 1996**

[54] **FLEXIBLE NECK LAMP WITH TORCHIERE**

[76] Inventor: **Thomas M. Huang**, 5649 N. Peck Rd.,
Arcadia, Calif. 91006

[**] Term: **14 Years**

[21] Appl. No.: **34,843**

[22] Filed: **Feb. 14, 1995**

[52] U.S. Cl. **D26/102; D26/62**

[58] Field of Search **D26/60-66, 93,**
D26/102-112; 362/18, 12, 418, 419, 427,
269, 431, 410-414

[56] **References Cited**

U.S. PATENT DOCUMENTS

- D. 128,505 7/1941 Simpson D26/62
- D. 171,172 12/1953 Swede D26/62
- D. 347,904 6/1994 Swanson D26/102
- 4,843,530 6/1989 Mori et al. 362/419

OTHER PUBLICATIONS

Home Lighting & Accessories, Jul. 1993, p. 53, Flex Floor
Lamp (left).

Primary Examiner—Kay H. Chin

Attorney, Agent, or Firm—Danton K. Mak; Sheldon & Mak,
Inc.

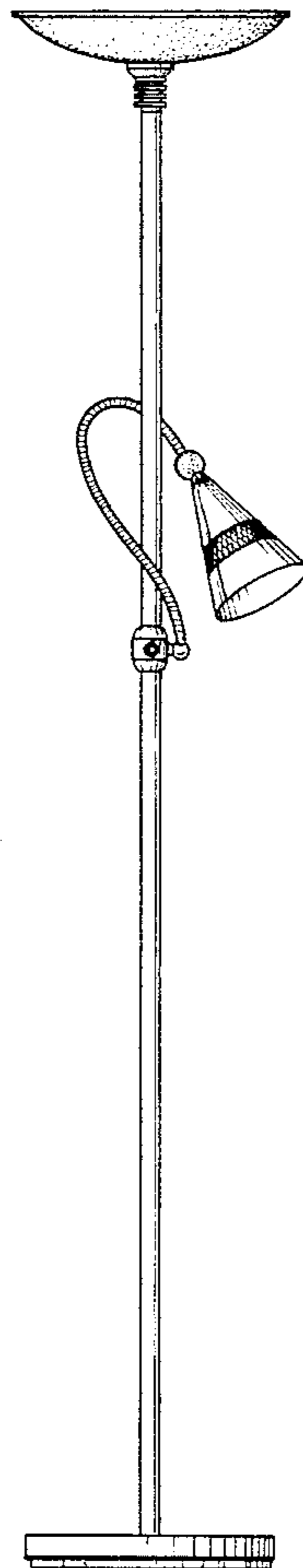
[57] **CLAIM**

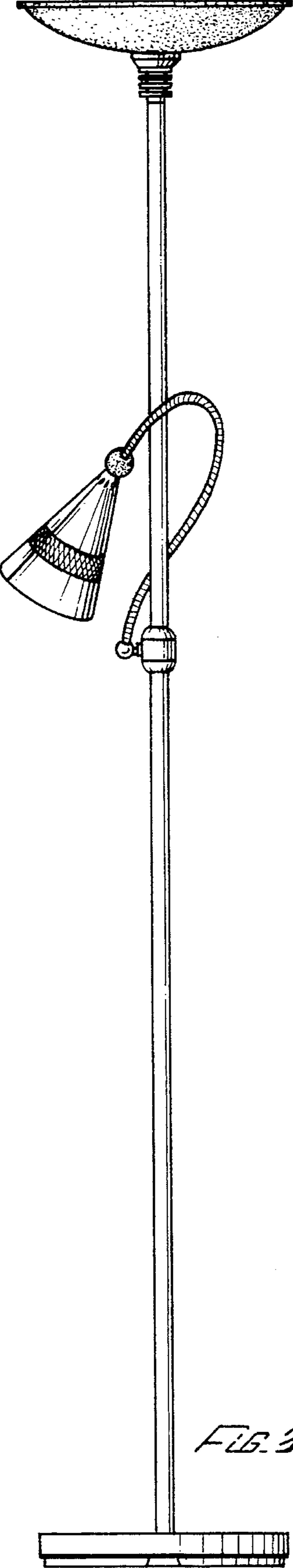
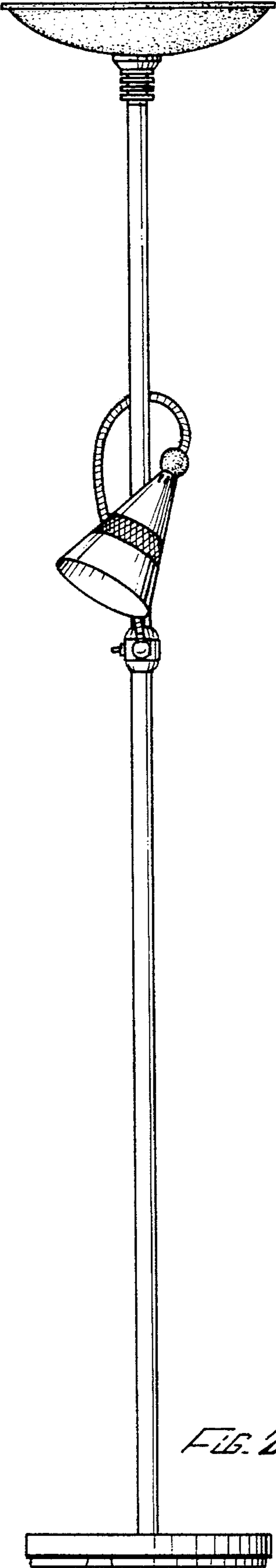
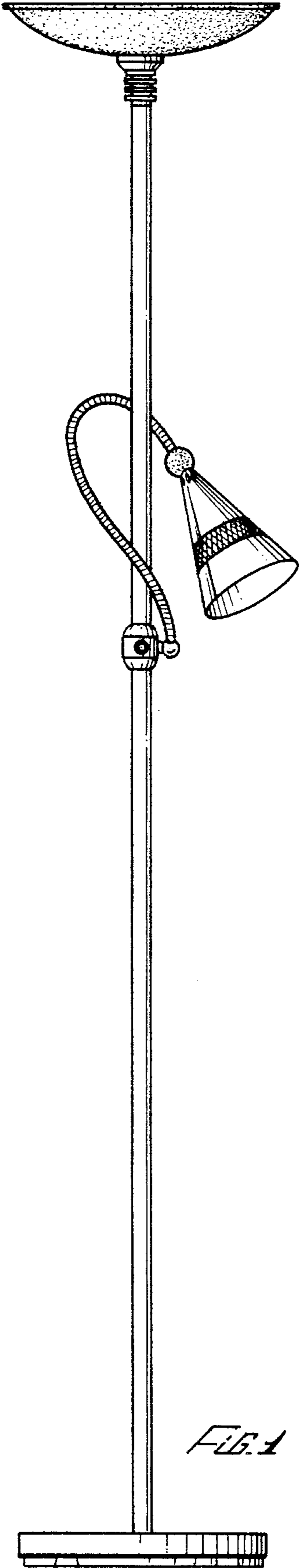
The ornamental design for a flexible neck lamp with torchiere, as shown and described.

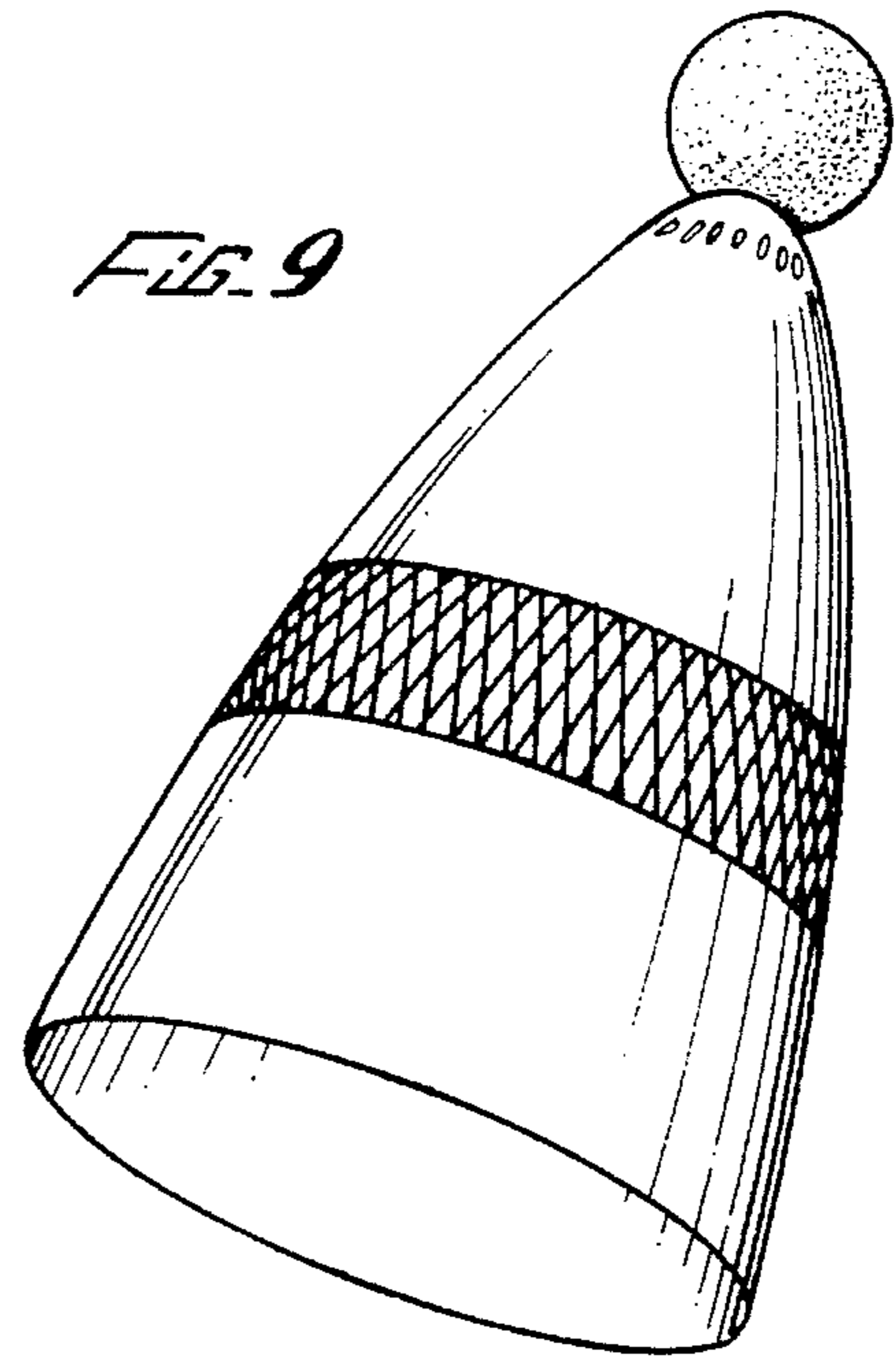
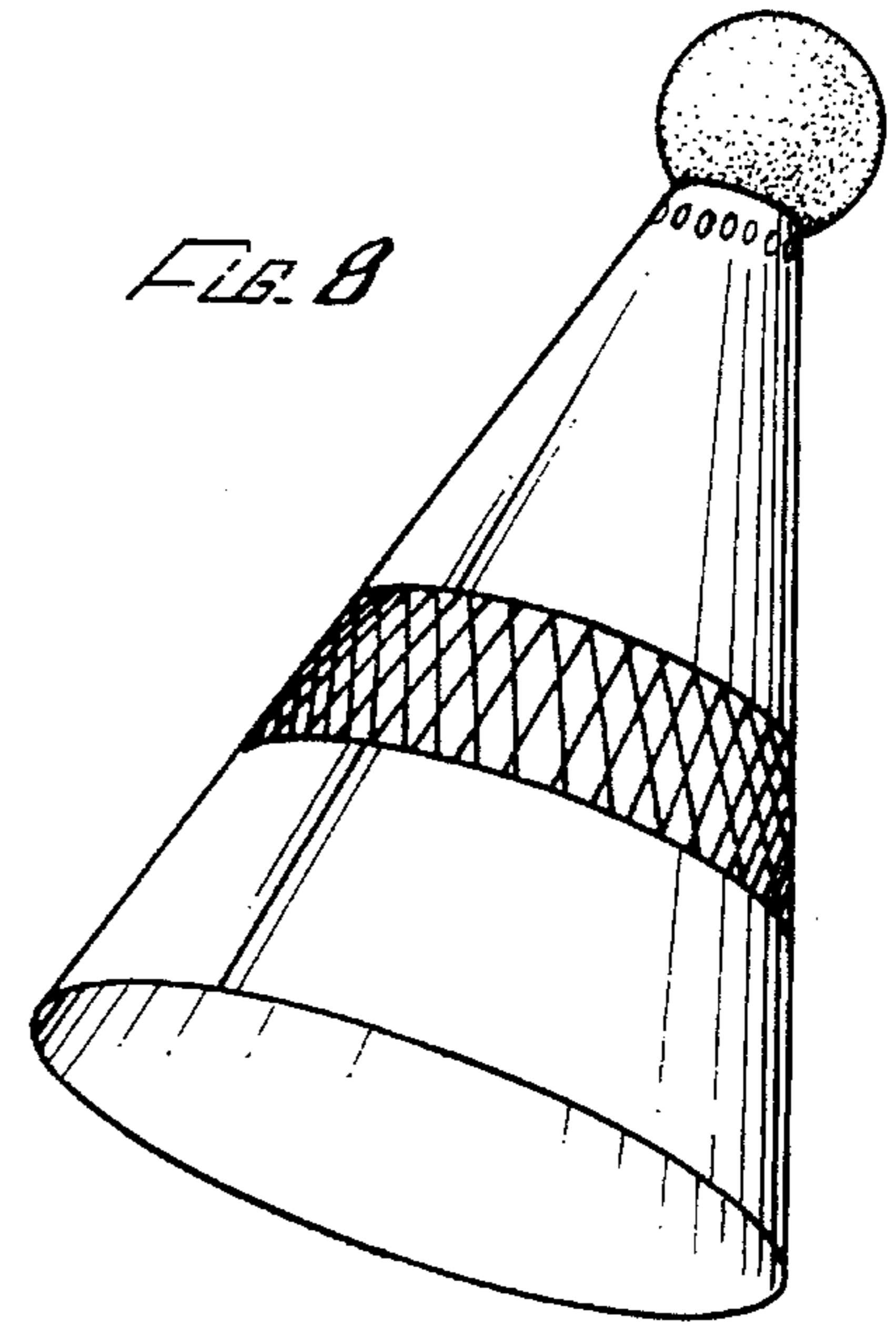
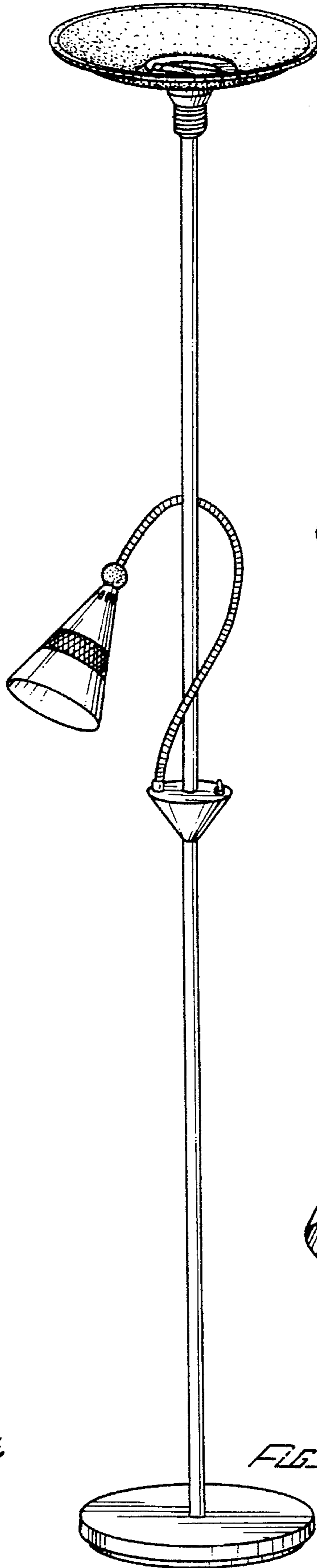
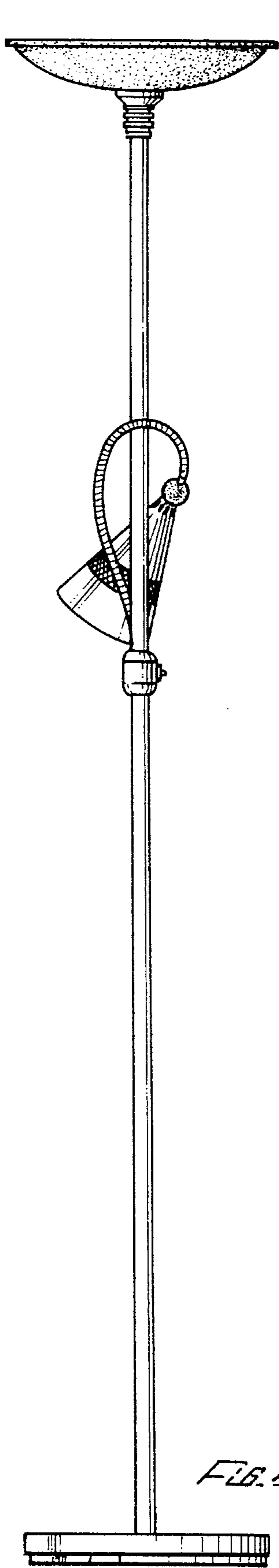
DESCRIPTION

FIG. 1 is a front elevational view of flexible neck lamp with torchiere of my invention;
 FIG. 2 is a right side view thereof;
 FIG. 3 is a rear elevational view thereof;
 FIG. 4 is a left side view thereof;
 FIG. 5 is a perspective view of a second embodiment of the flexible neck lamp with torchiere;
 FIG. 6 is a top plan view of FIGS. 1, 5 and 11;
 FIG. 7 is a bottom plan view of FIGS. 1, 5 and 11;
 FIG. 8 is an enlarged view of the lamp shade of the first and second embodiment thereof;
 FIG. 9 is an enlarged view of the lamp shade of the third embodiment thereof;
 FIG. 10 is a perspective view of FIG. 1;
 FIG. 11 is a perspective view of the third embodiment of the flexible neck lamp with torchiere; and,
 FIG. 12 is a perspective view of FIG. 1 with the neck lamp in a different position.
 Broken lines shown in FIGS. 10, 11 and 12 are for illustrative purposes only and form no part of the claimed design.

1 Claim, 4 Drawing Sheets







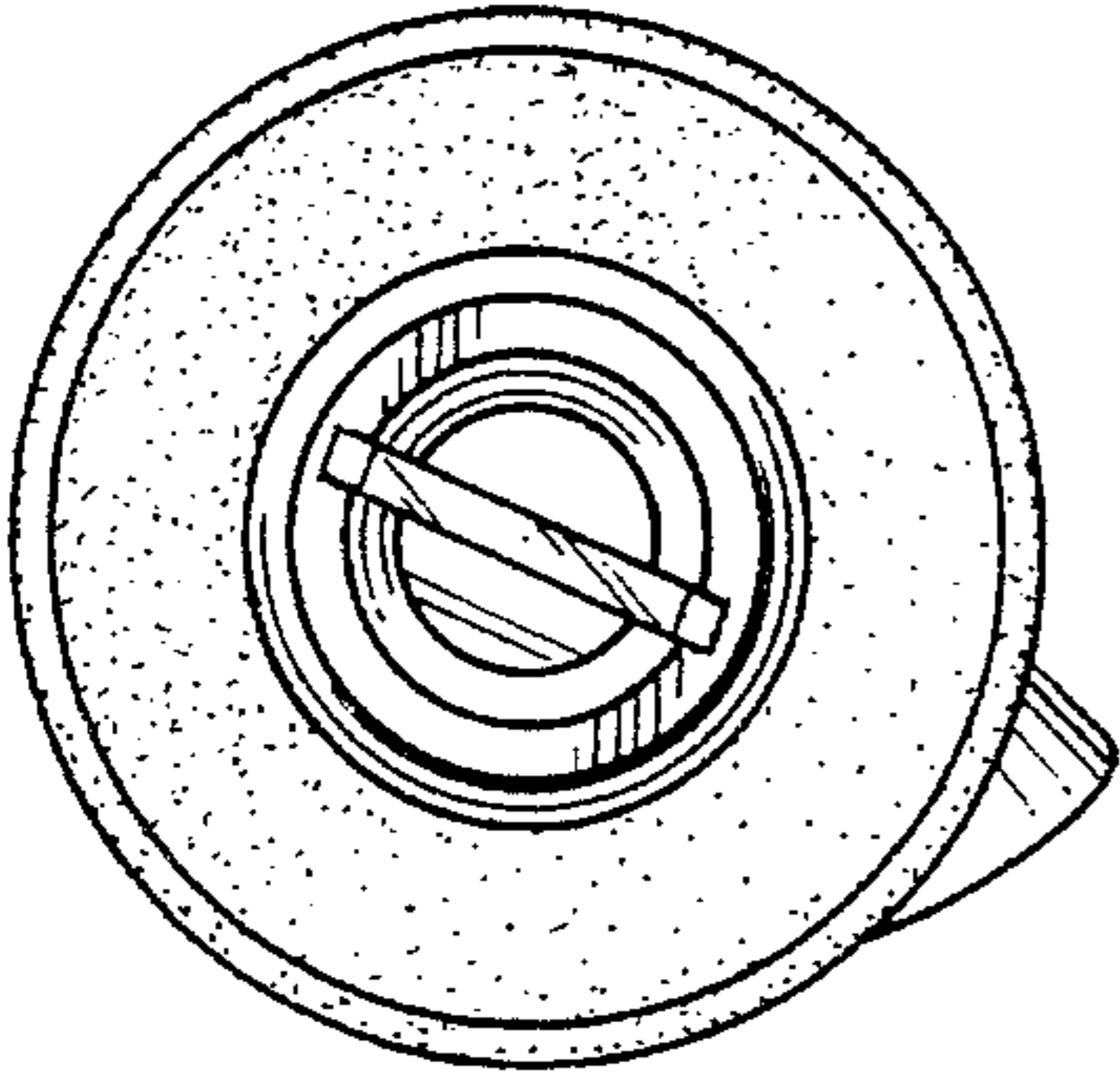


FIG. 6

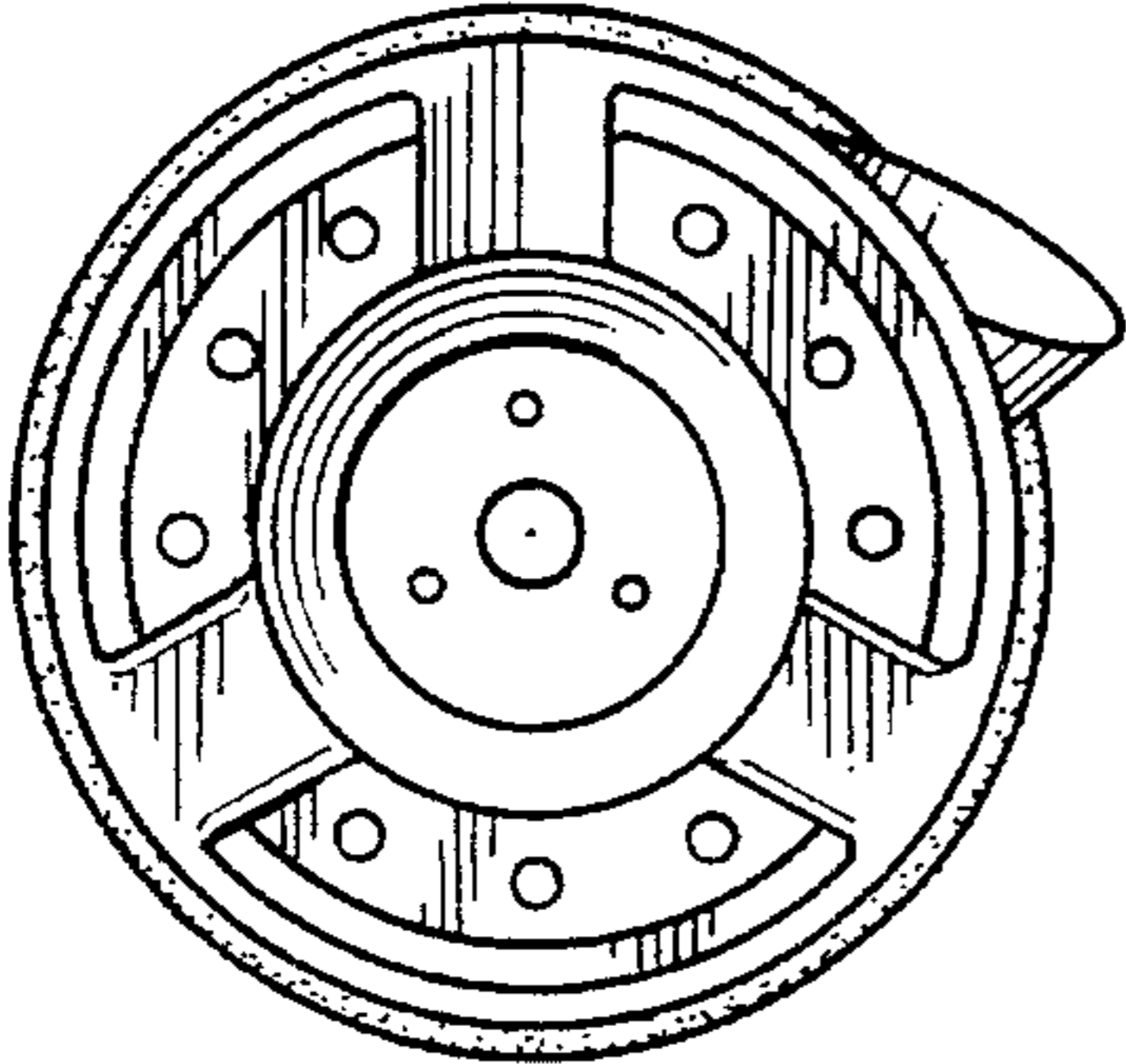


FIG. 7

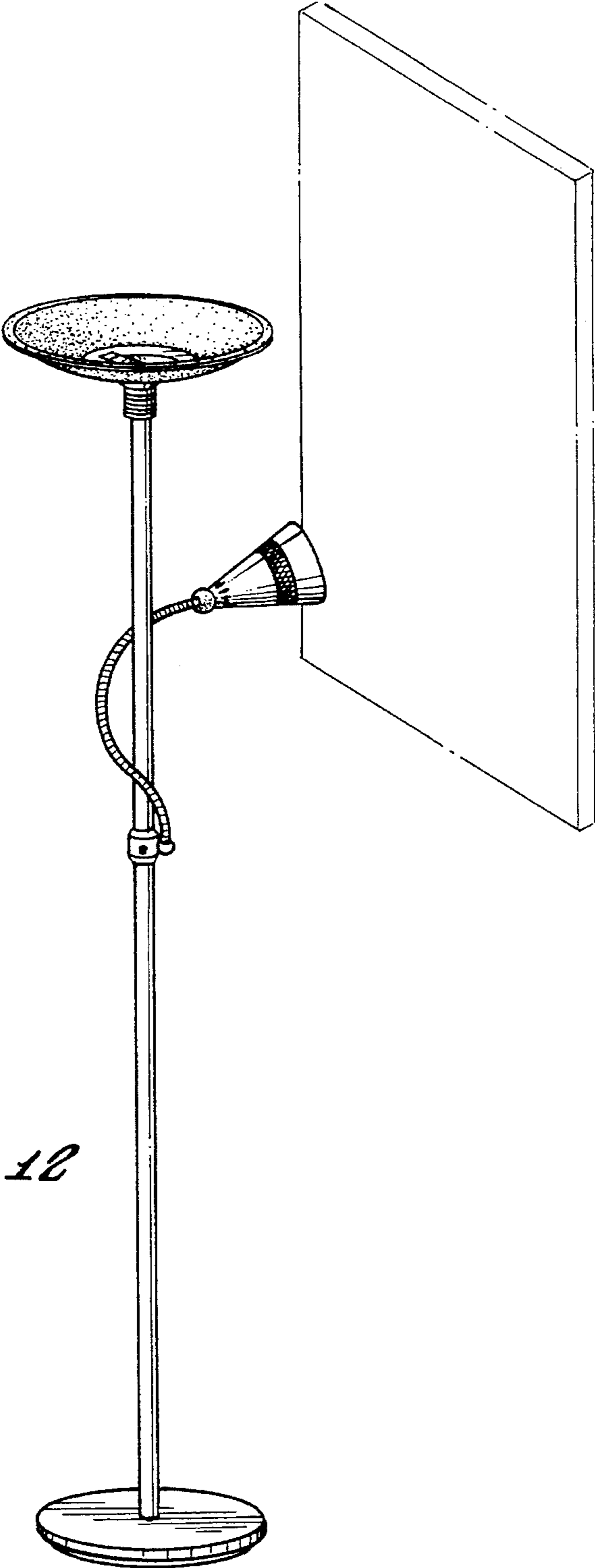


FIG. 10

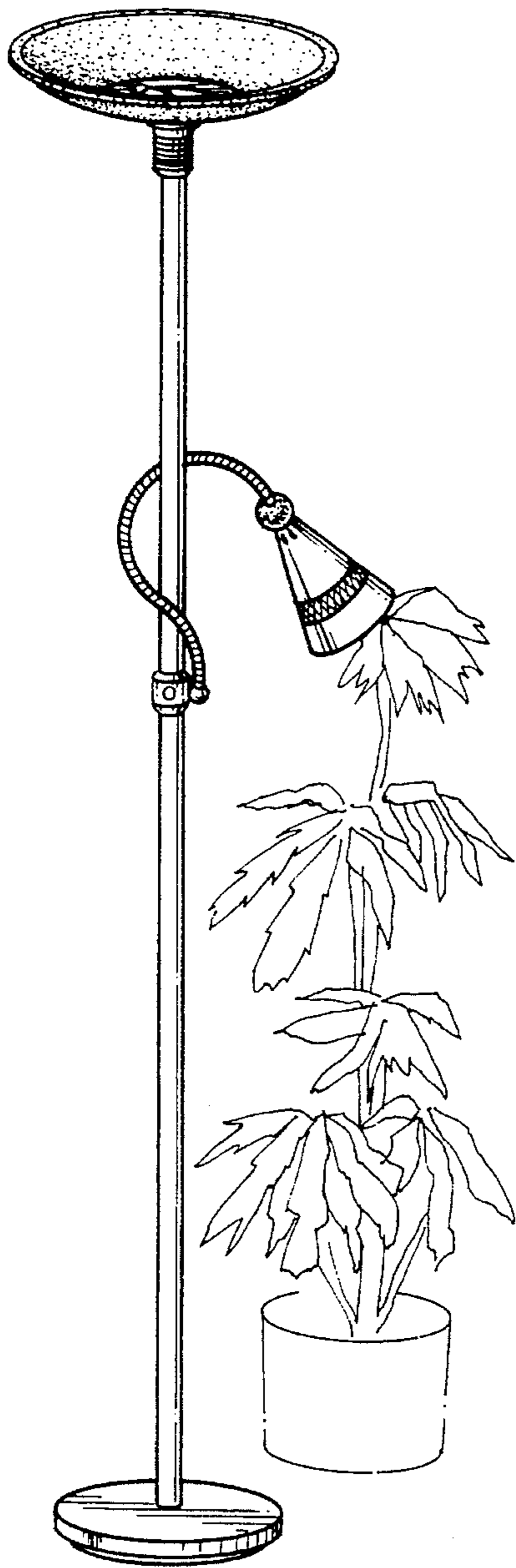


FIG. 10

FIG. 11

