



US00D370545S

United States Patent [19]
Porter

[11] **Patent Number: Des. 370,545**
[45] **Date of Patent: **Jun. 4, 1996**

[54] **SUSPENDED LIGHTING FIXTURE**

Attorney, Agent, or Firm—Watts, Hoffmann, Fisher & Heinke Co.

[75] Inventor: **David H. Porter**, Chagrin Falls, Ohio

[73] Assignee: **The L. D. Kichler Co.**, Cleveland, Ohio

[57] **CLAIM**

The ornamental design for a suspended lighting fixture, as shown and described.

[**] Term: **14 Years**

DESCRIPTION

[21] Appl. No.: **29,561**

[22] Filed: **Oct. 11, 1994**

[52] U.S. Cl. **D26/88**

[58] Field of Search D26/72, 80-92;
362/147, 404-408

FIG. 1 is a perspective view of a suspended lighting fixture showing my new design;

FIG. 2 is a front elevational view thereof, the rear elevational view being a mirror image thereof;

FIG. 3 is a right side elevational view thereof;

FIG. 4 is a left side elevational view thereof;

FIG. 5 is a top plan view thereof; and,

FIG. 6 is a bottom plan view thereof.

[56] **References Cited**

U.S. PATENT DOCUMENTS

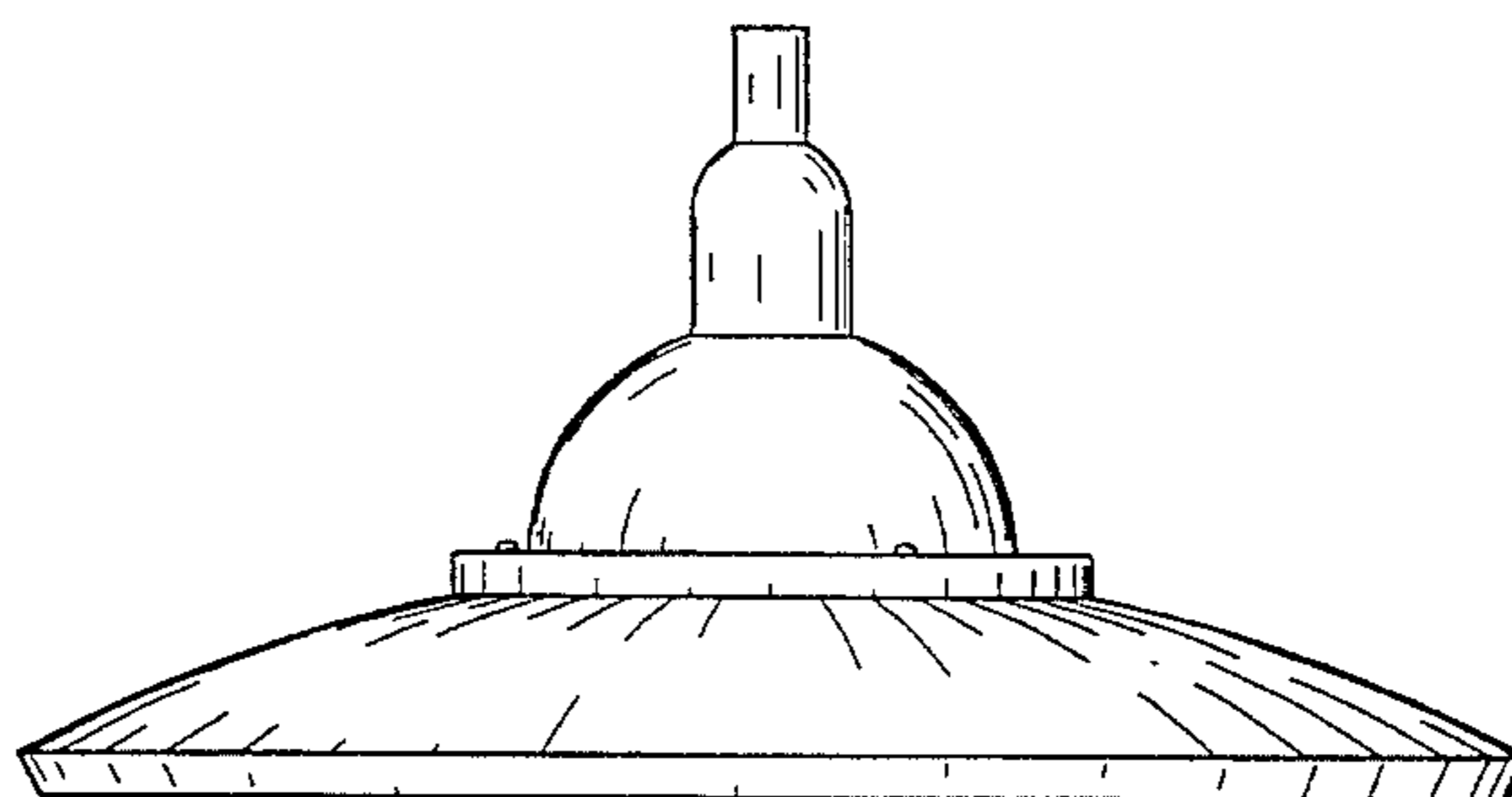
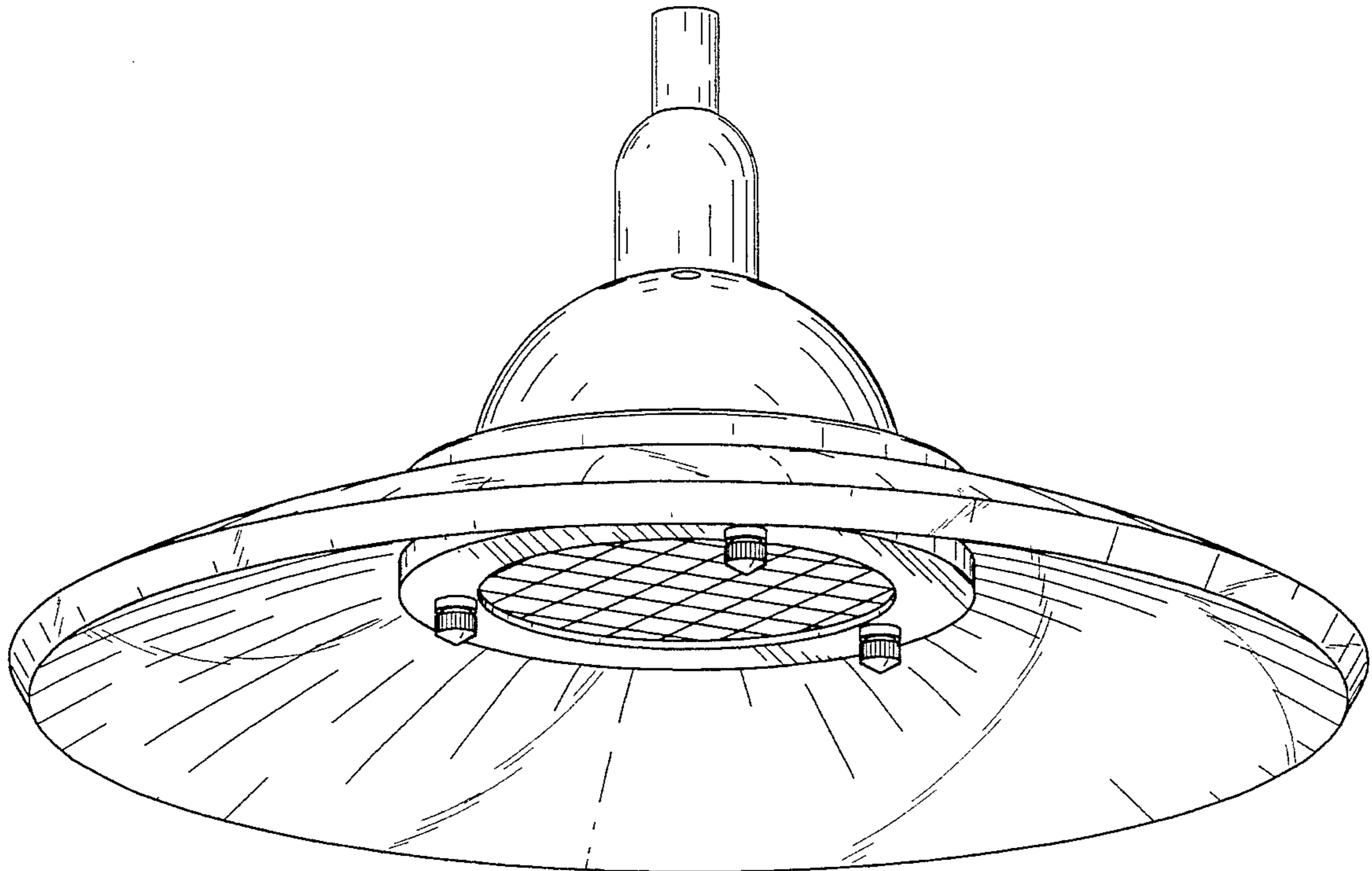
D. 134,355 11/1942 Rolph D26/88

OTHER PUBLICATIONS

Kichler Lighting Catalog Supplement p. S-26, Swiss Passport Series, copyright date Jul., 1990 printed in U.S.A.

Primary Examiner—Susan J. Lucas

1 Claim, 3 Drawing Sheets



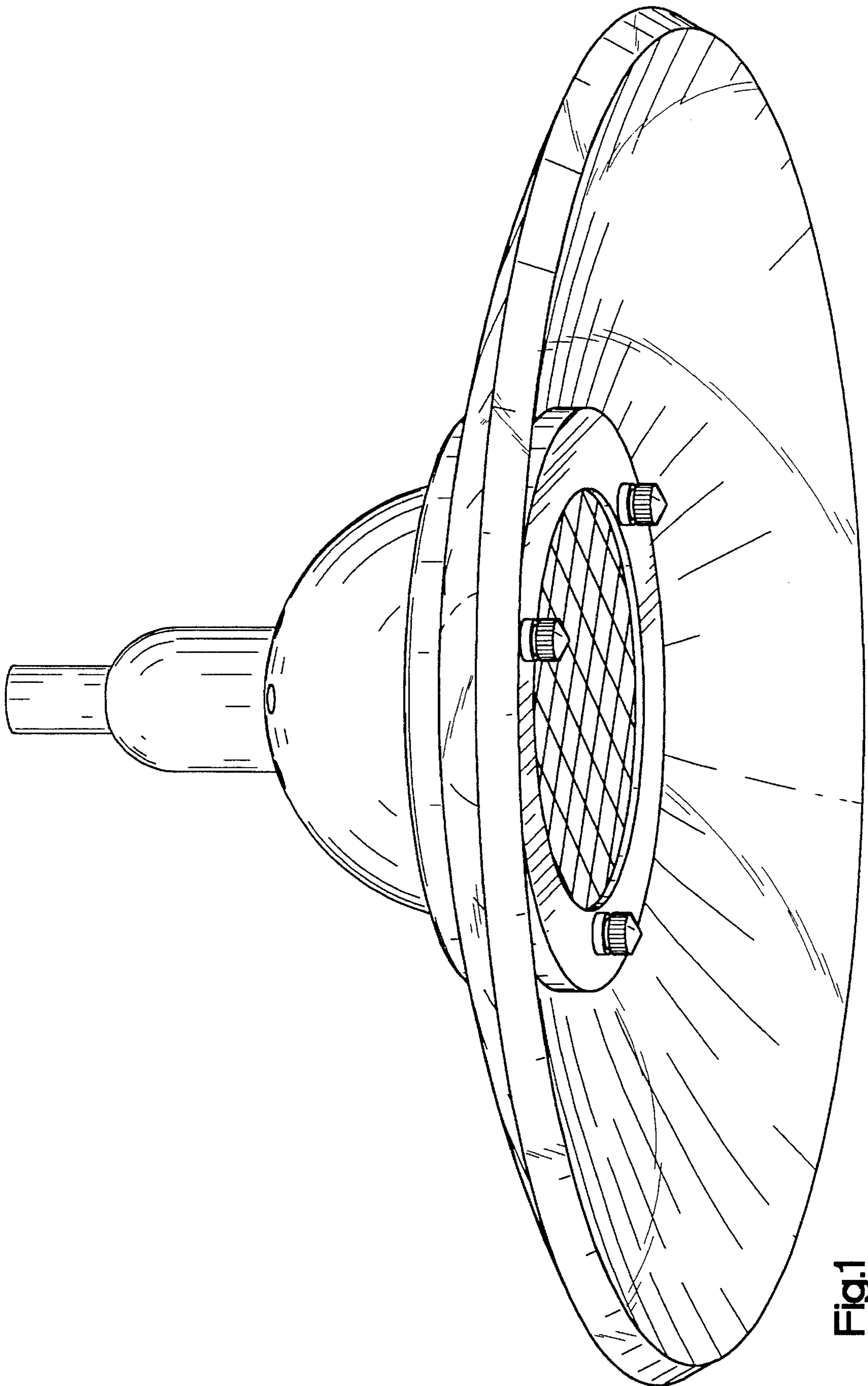


Fig.1

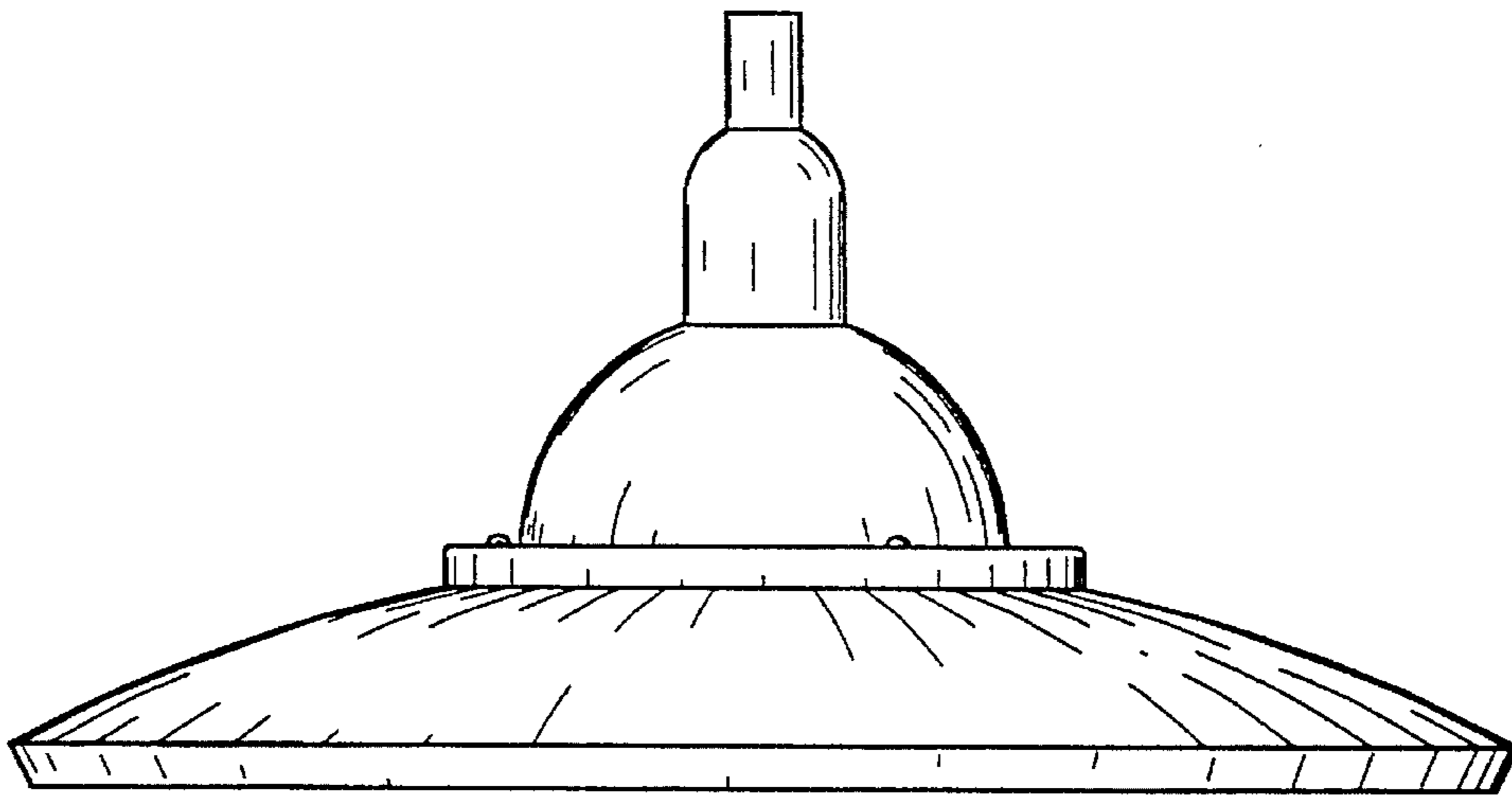


Fig.2

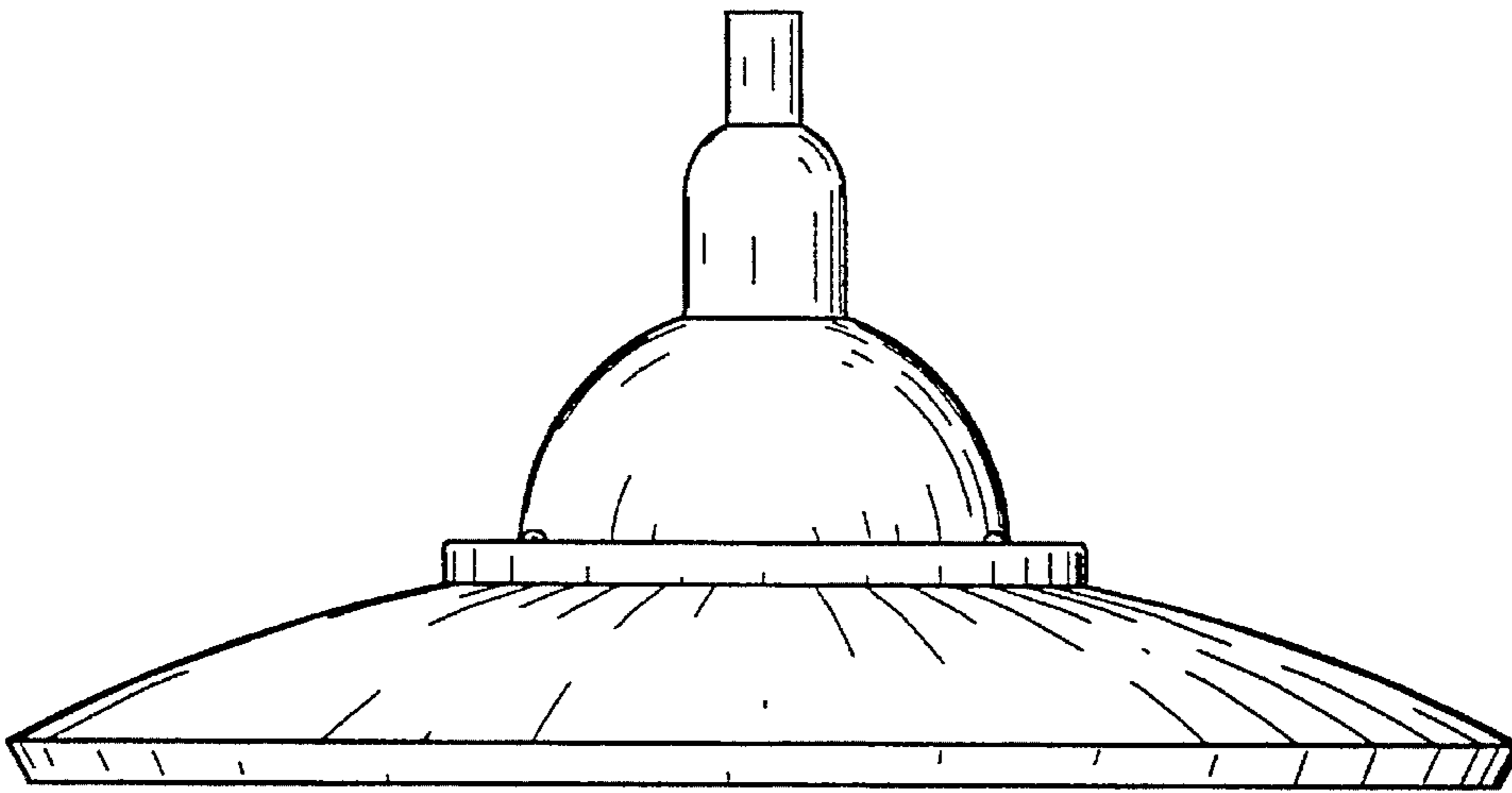


Fig.3

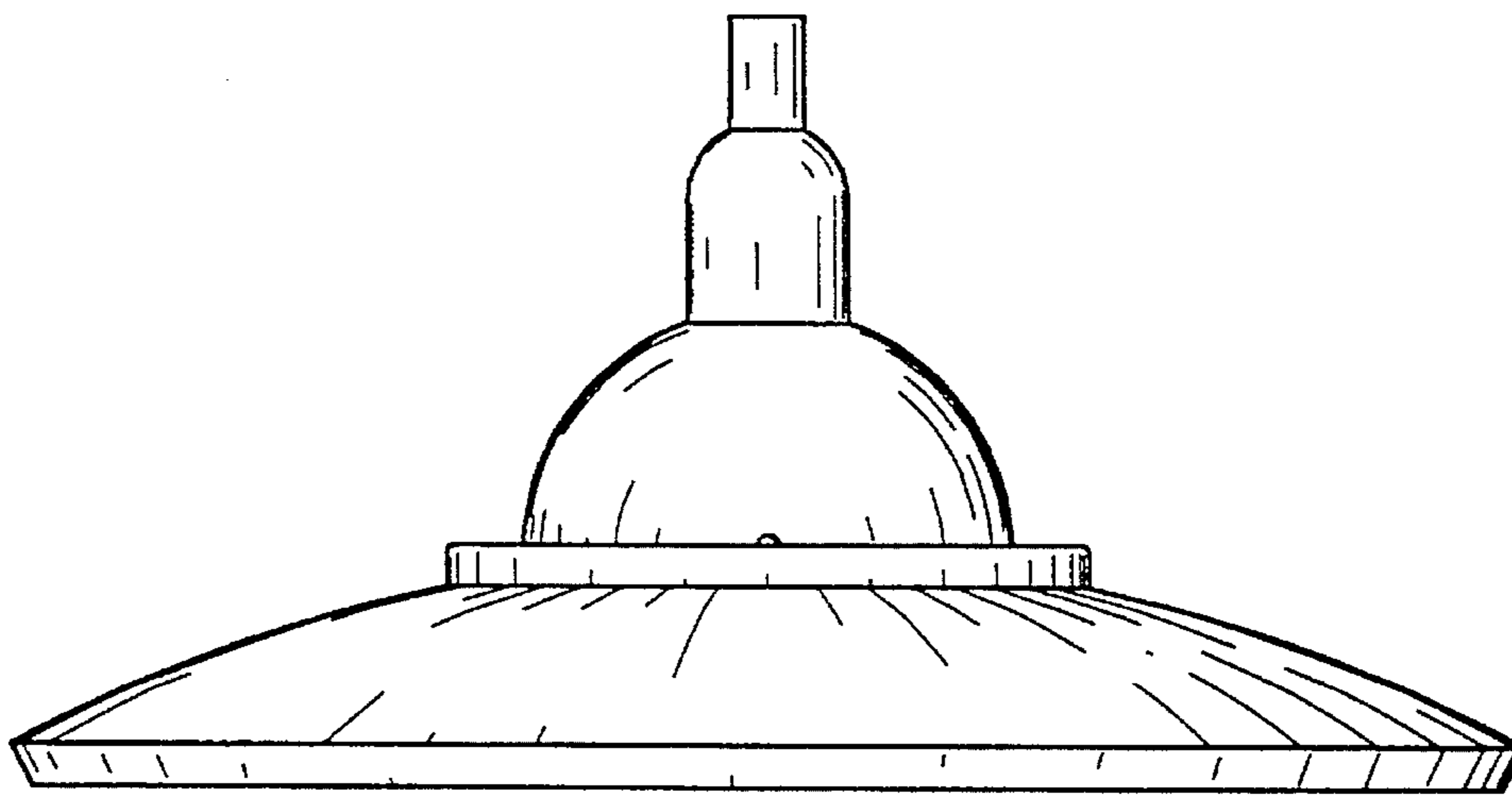


Fig.4

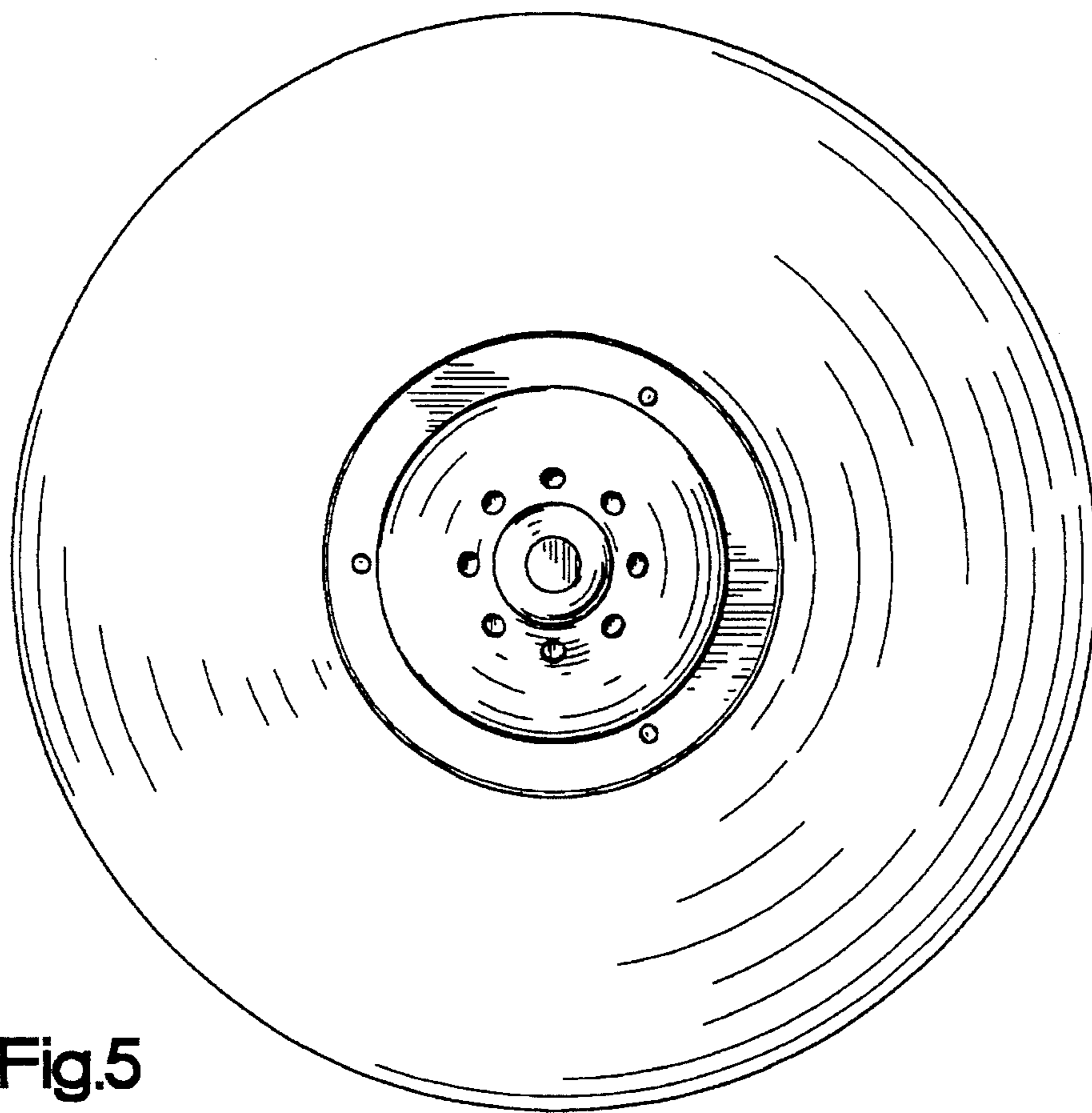


Fig.5

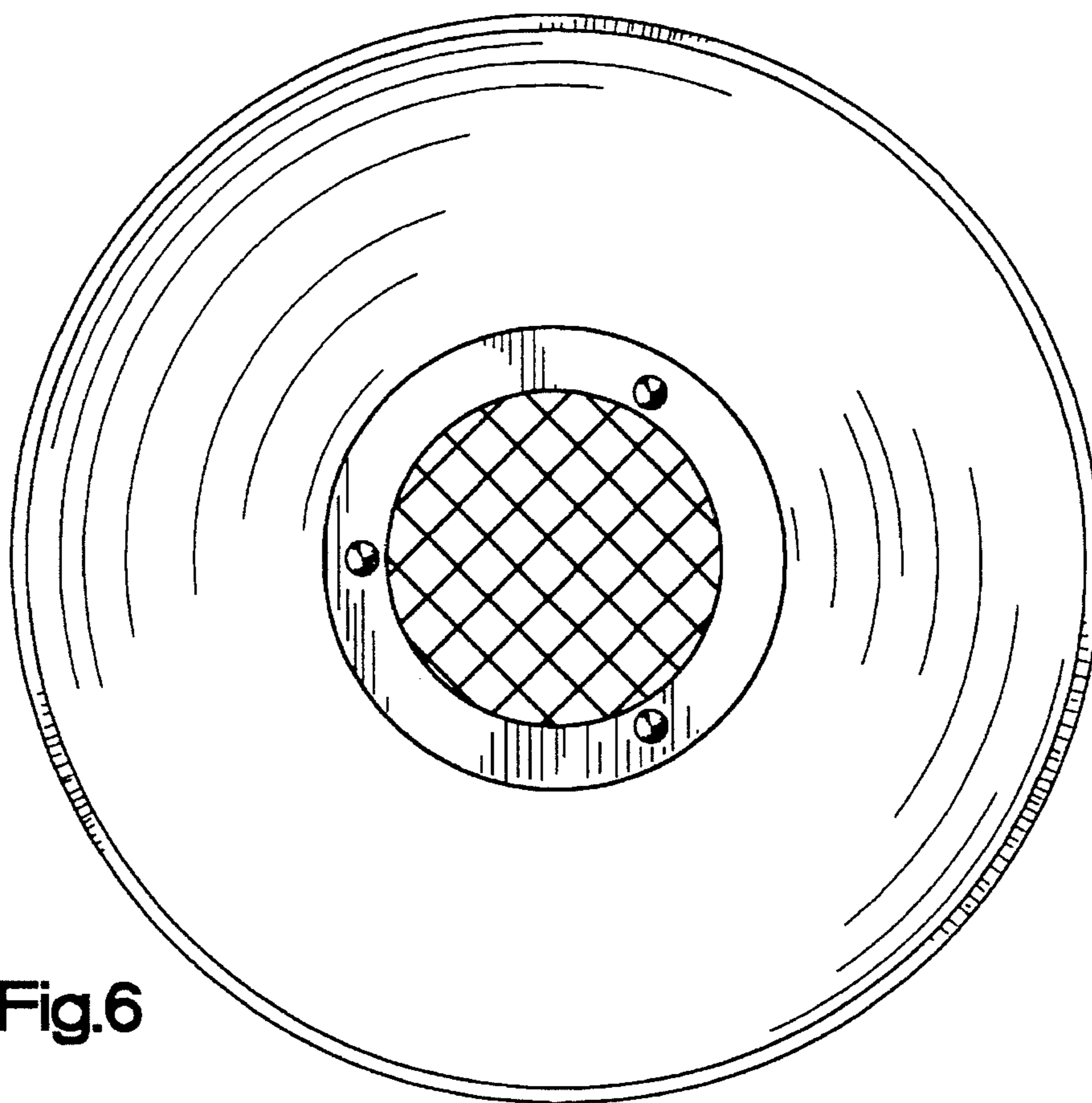


Fig.6