



US00D370541S

United States Patent [19]

[11] Patent Number: **Des. 370,541**

Henrici et al.

[45] Date of Patent: ****Jun. 4, 1996**

[54] LAMP HOLDER

4,962,907	10/1990	Gary	362/249	X
5,110,078	5/1992	Gary	362/249	X
5,313,135	5/1994	Fletcher	362/226	X
5,319,532	6/1994	Pidancet	362/226	

[75] Inventors: **Dieter Henrici**, Arnberg;
Karl-Wilhelm Vogt, Ense, both of
Germany

[73] Assignee: **Brokelmann, Jaeger & Busse GmbH**
& Co., Arnberg, Germany

Primary Examiner—A. Hugo Word
Assistant Examiner—Holly Baynham
Attorney, Agent, or Firm—Herbert Dubno

[**] Term: **14 Years**

[57] **CLAIM**

[21] Appl. No.: **34,960**

The ornamental design for a lamp holder, as shown and described.

[22] Filed: **Feb. 16, 1995**

Related U.S. Application Data

DESCRIPTION

[62] Division of Ser. No. 20,695, Mar. 31, 1994, Pat. No. Des. 363,359.

FIG. 1 is a top, left-side front perspective view of a lamp holder embodying our new design;

[30] Foreign Application Priority Data

Feb. 23, 1994 [WO] WIPO DM/028790

FIG. 2 is a left-side elevational view thereof, the right side being mirror symmetrical thereto;

[52] U.S. Cl. **D26/28**

FIG. 3 is a front view thereof;

[58] Field of Search D26/138, 140,
D26/28; D8/354; 248/316.1, 205.5; 362/226,
249, 306

FIG. 4 is a rear view thereof;

FIG. 5 is a top view thereof; and,

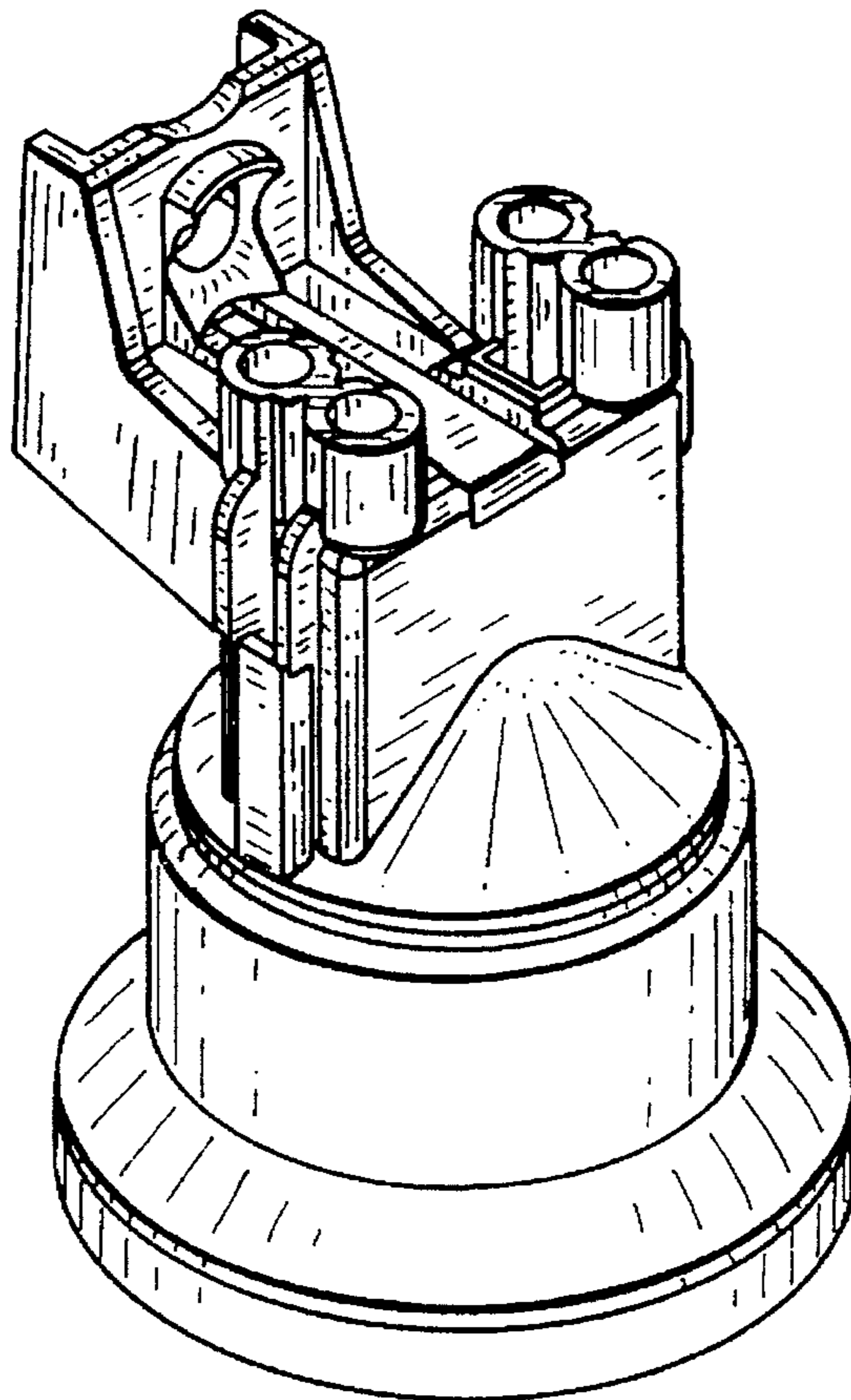
FIG. 6 is a bottom view thereof.

[56] References Cited

U.S. PATENT DOCUMENTS

D. 324,109 2/1992 Caridi D26/140

1 Claim, 2 Drawing Sheets



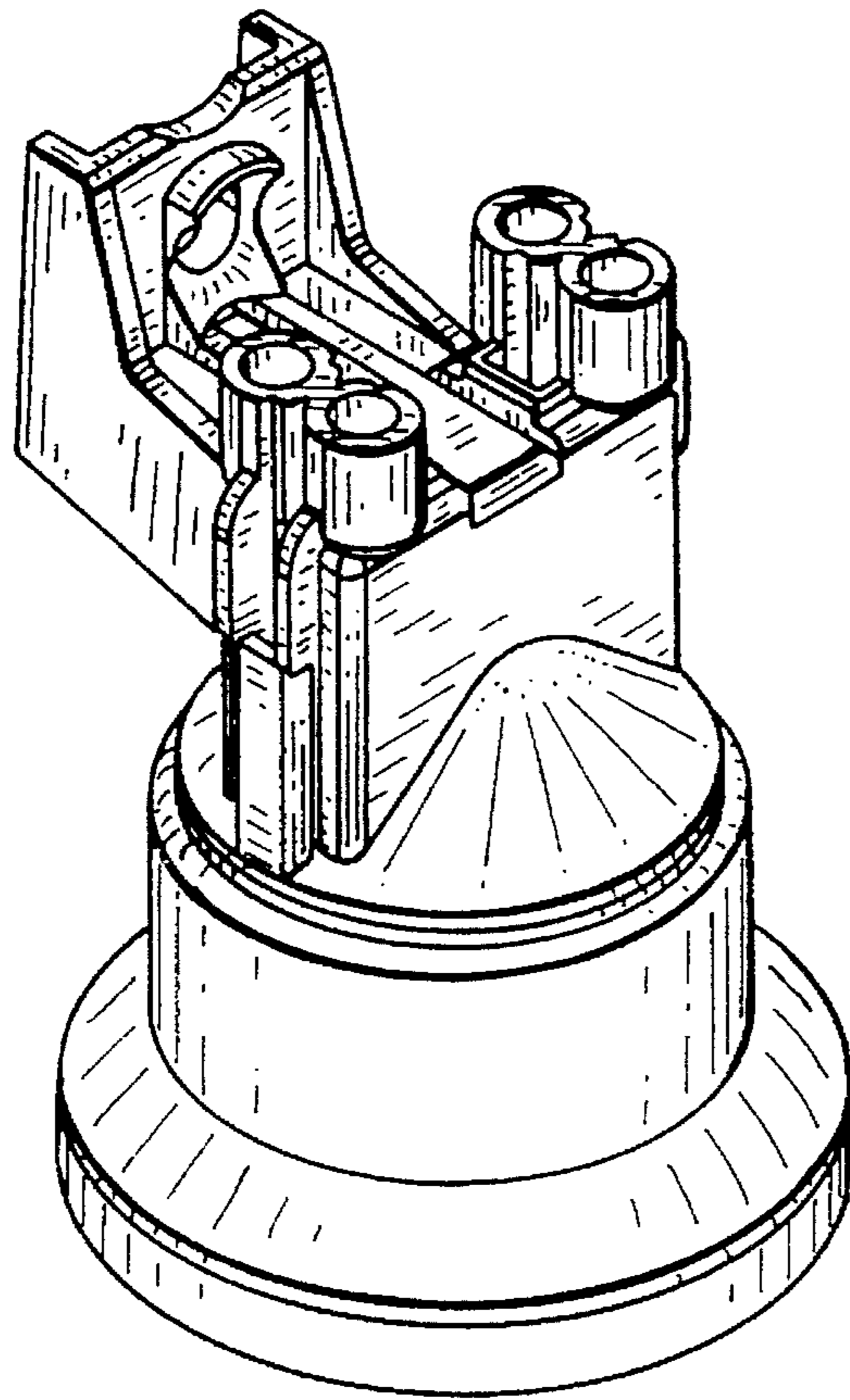


FIG. 1

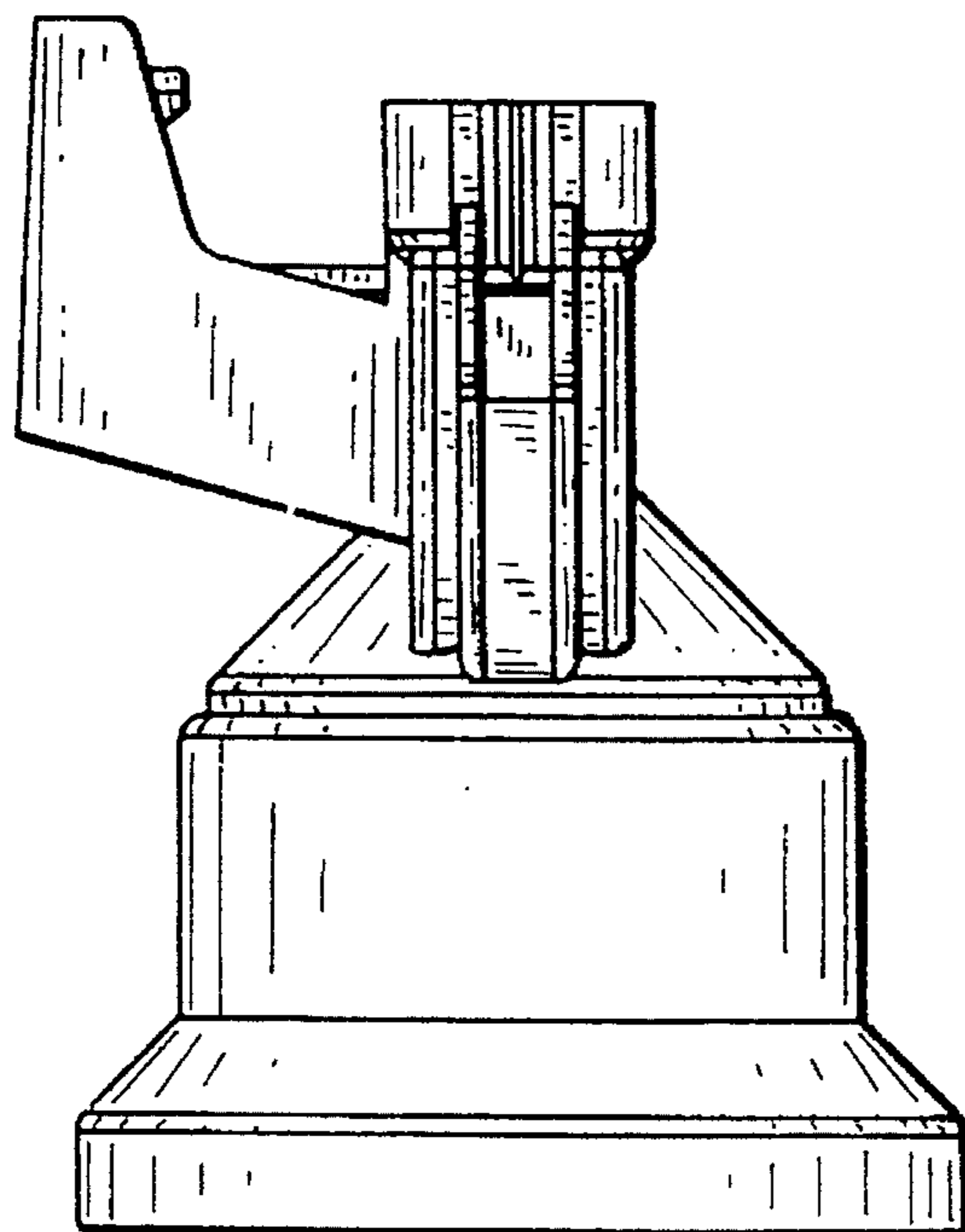


FIG. 2

FIG.3

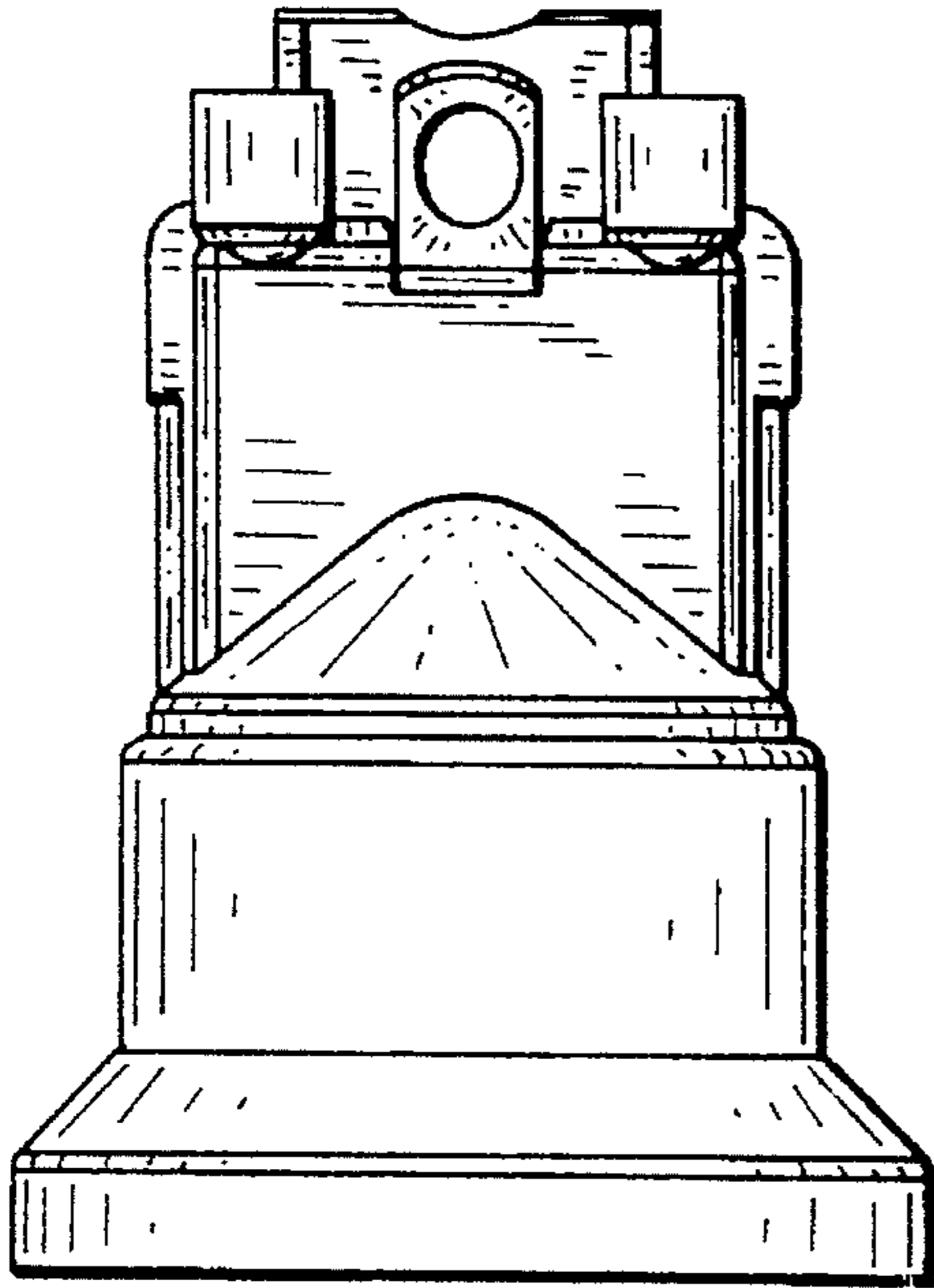


FIG.4

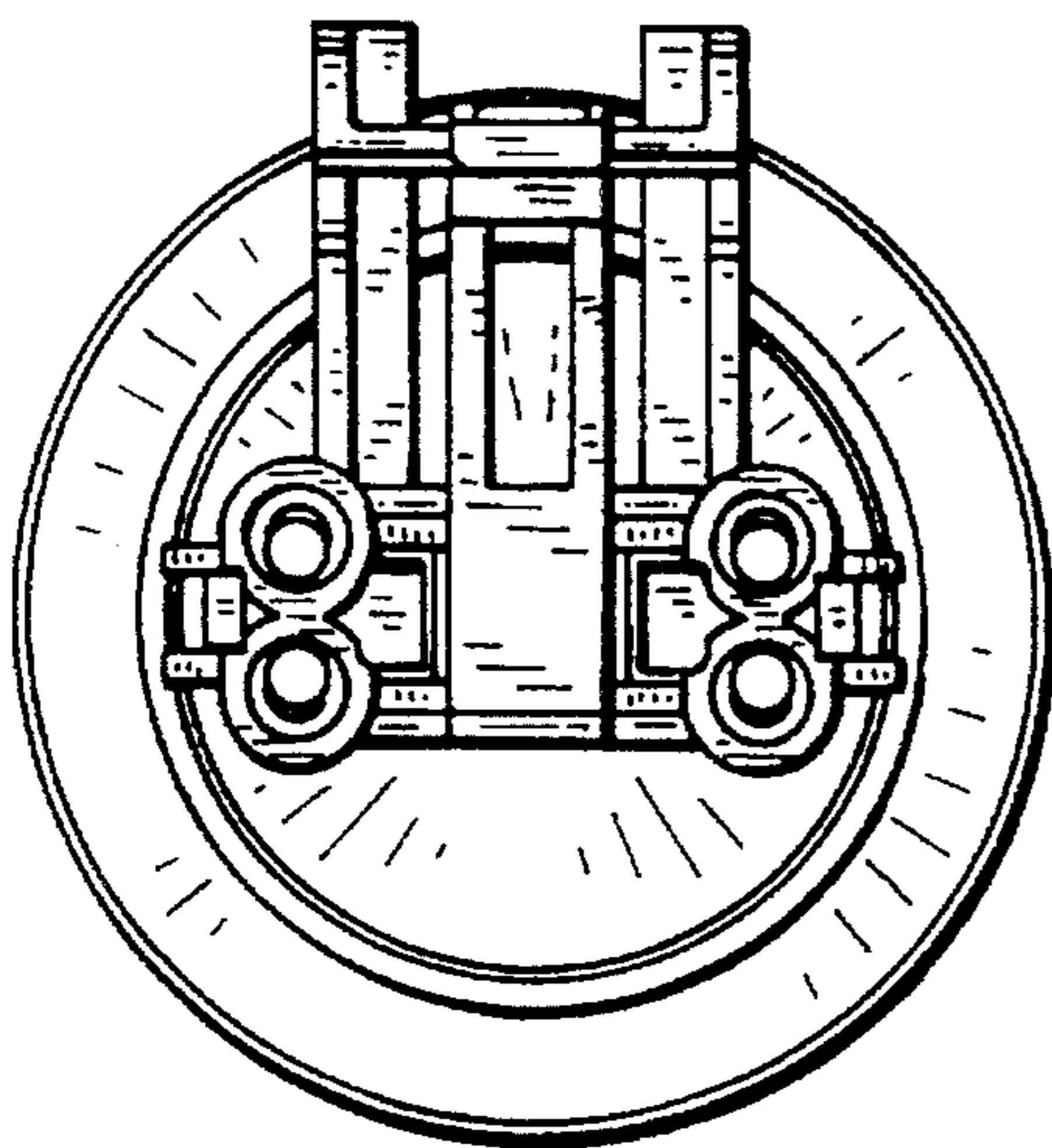
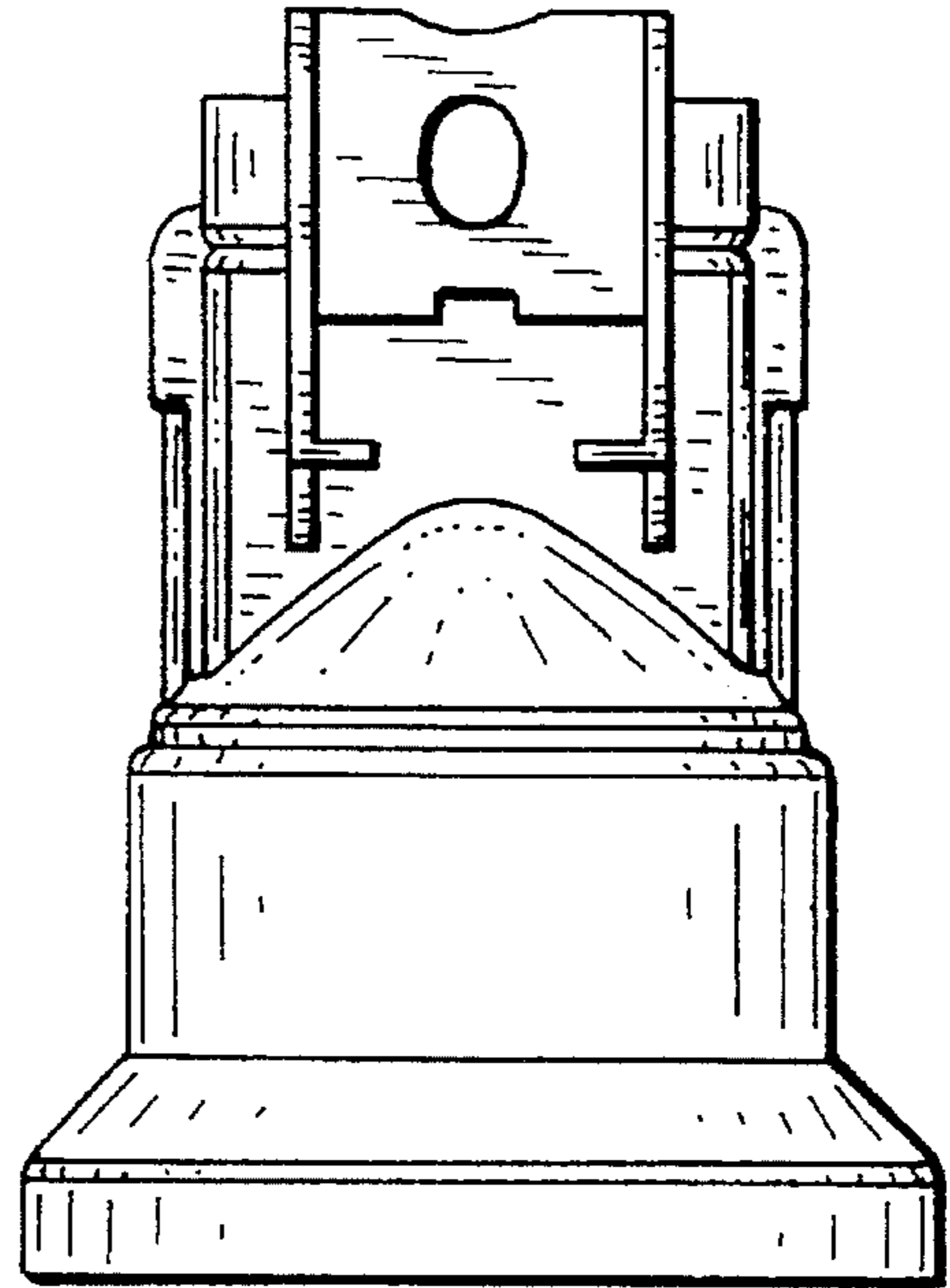


FIG.5

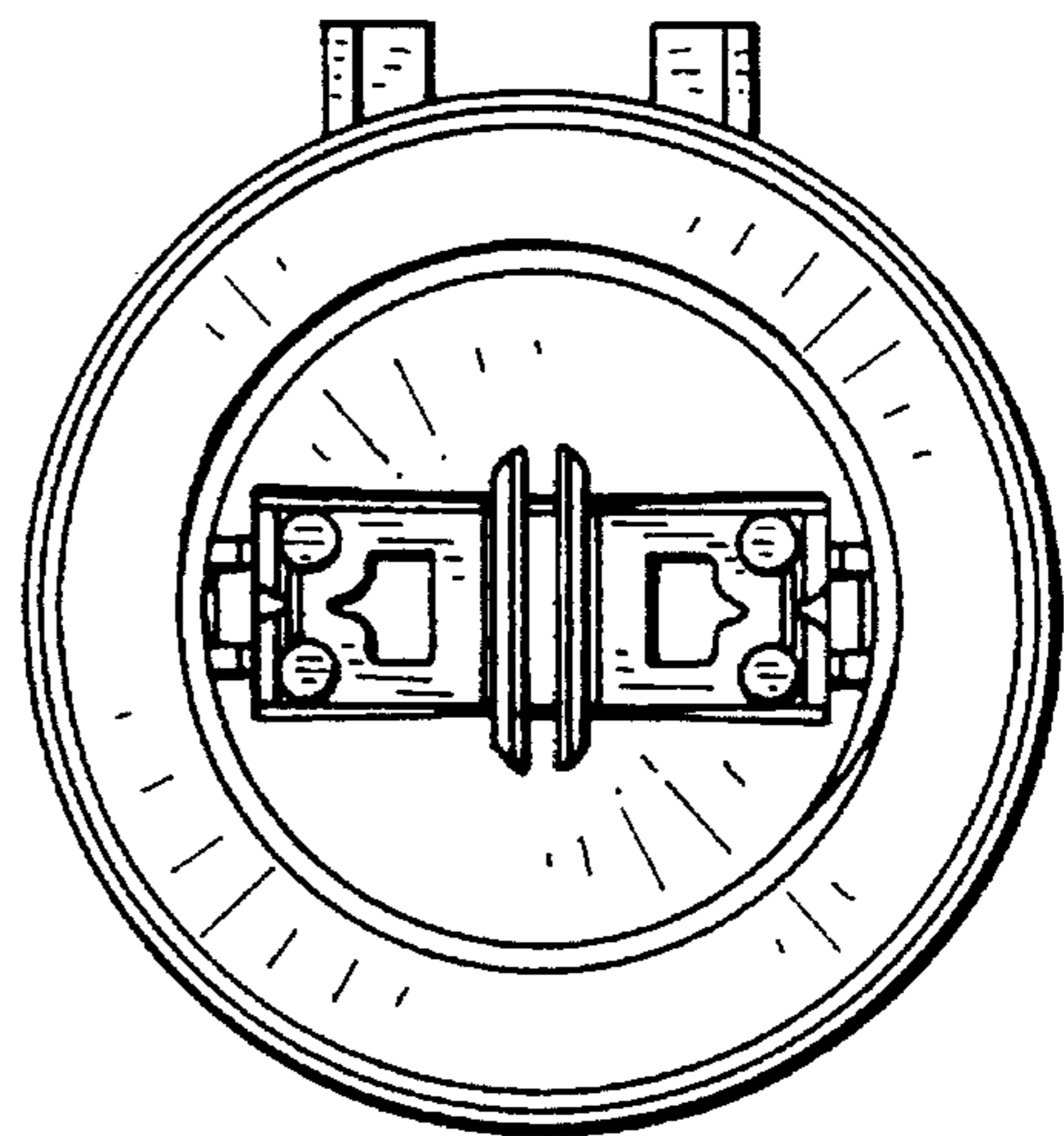


FIG.6