



US00D370540S

**United States Patent** [19]

[11] **Patent Number:** **Des. 370,540**

**Good**

[45] **Date of Patent:** **\*\*Jun. 4, 1996**

[54] **BICYCLE PEDAL LIGHTING UNIT**

[57] **CLAIM**

[76] Inventor: **Kenneth J. Good**, 260 Hardie Rd., Kelowna, BC, Canada, V1X 2H1

The ornamental design for a bicycle pedal lighting unit, as shown and described.

[\*\*] Term: **14 Years**

**DESCRIPTION**

[21] Appl. No.: **28,780**

FIG. 1 shows a top view of my claimed design, with the broken line showing for illustrative purposes only and forming no part of the claimed design;

[22] Filed: **Sep. 22, 1994**

FIG. 2 shows a bottom view of my claimed design;

[52] U.S. Cl. .... **D26/28**

FIG. 3 shows an end view of my claimed design;

[58] **Field of Search** ..... D26/28-35; 362/83.3, 362/326, 334, 335, 336, 337, 72, 157, 158, 183; D10/109, 114

FIG. 4 shows the other end view of my claimed design;

FIG. 5 shows a side view of my claimed design;

FIG. 6 shows the other side view of my claimed design; and,

FIG. 7 shows a perspective view of my claimed design from the front, top and left side, with the cylinder omitted for clarity of illustration only.

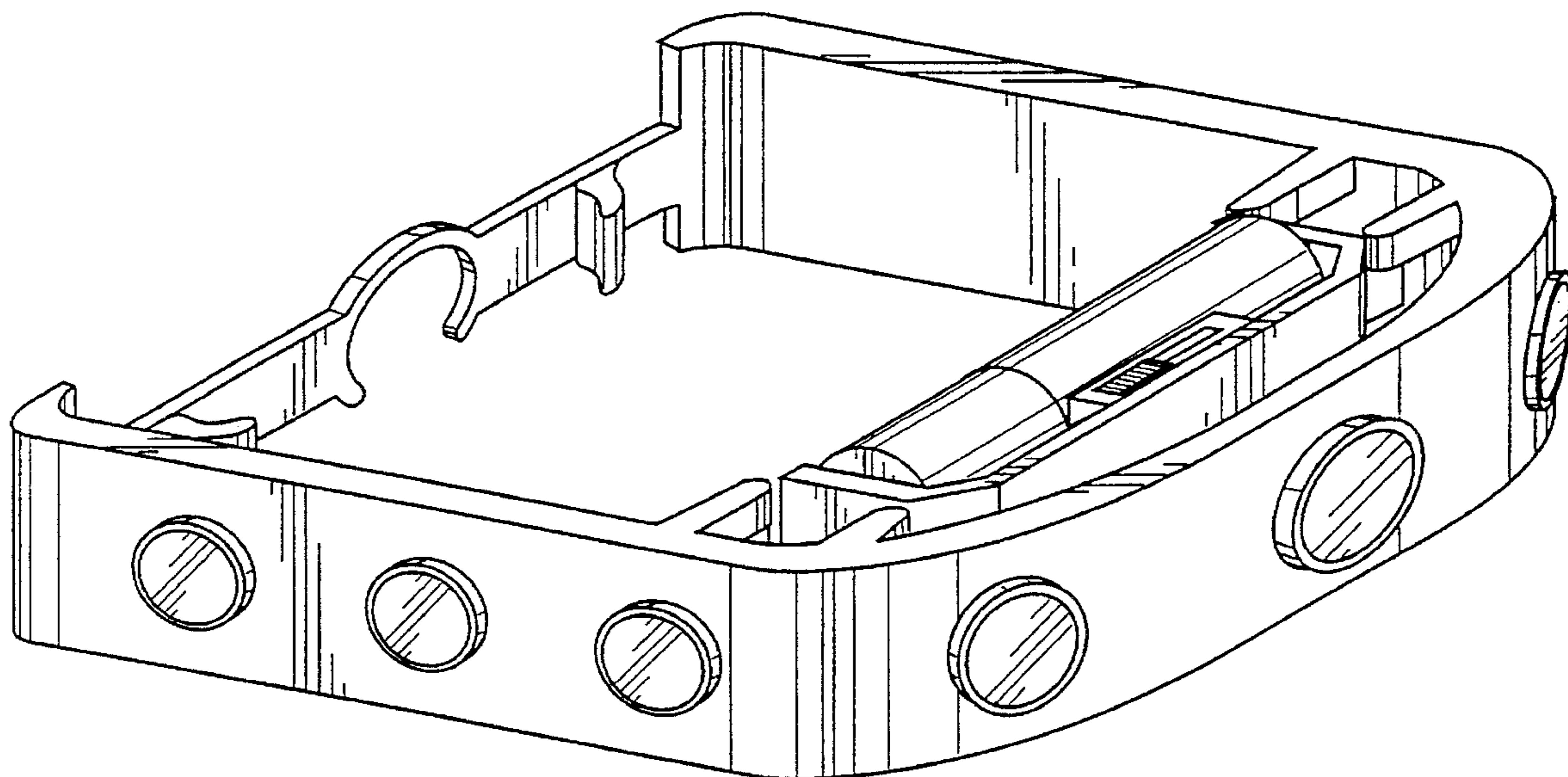
[56] **References Cited**

**U.S. PATENT DOCUMENTS**

- D. 349,167 7/1994 Uchida ..... D26/28
- D. 354,361 1/1995 Nadramia ..... D26/28
- D. 354,822 1/1995 Bledsoe ..... D26/28

*Primary Examiner*—Marcus A. Jackson  
*Attorney, Agent, or Firm*—H. Jay Spiegel

**1 Claim, 4 Drawing Sheets**



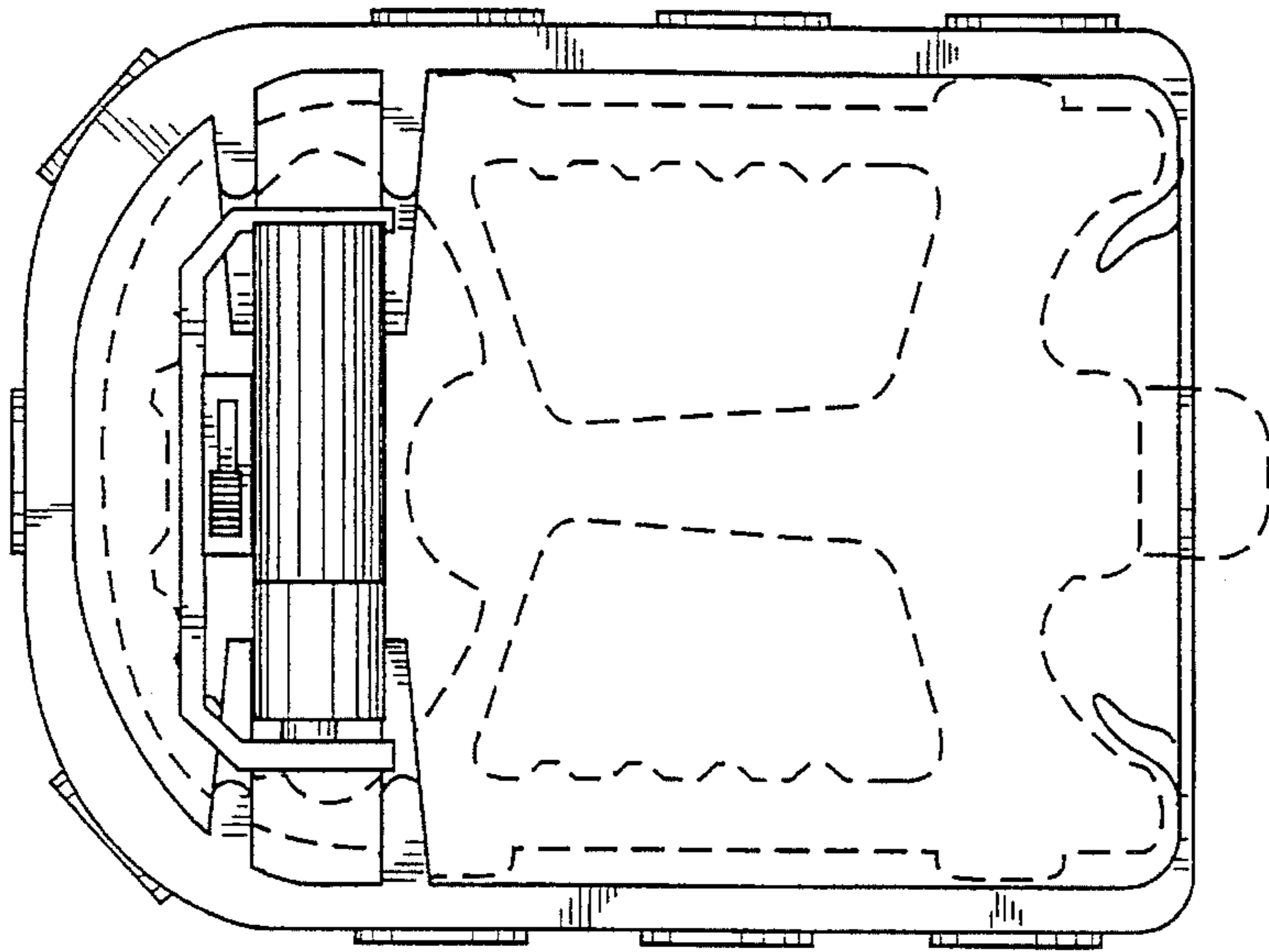


FIG. 1

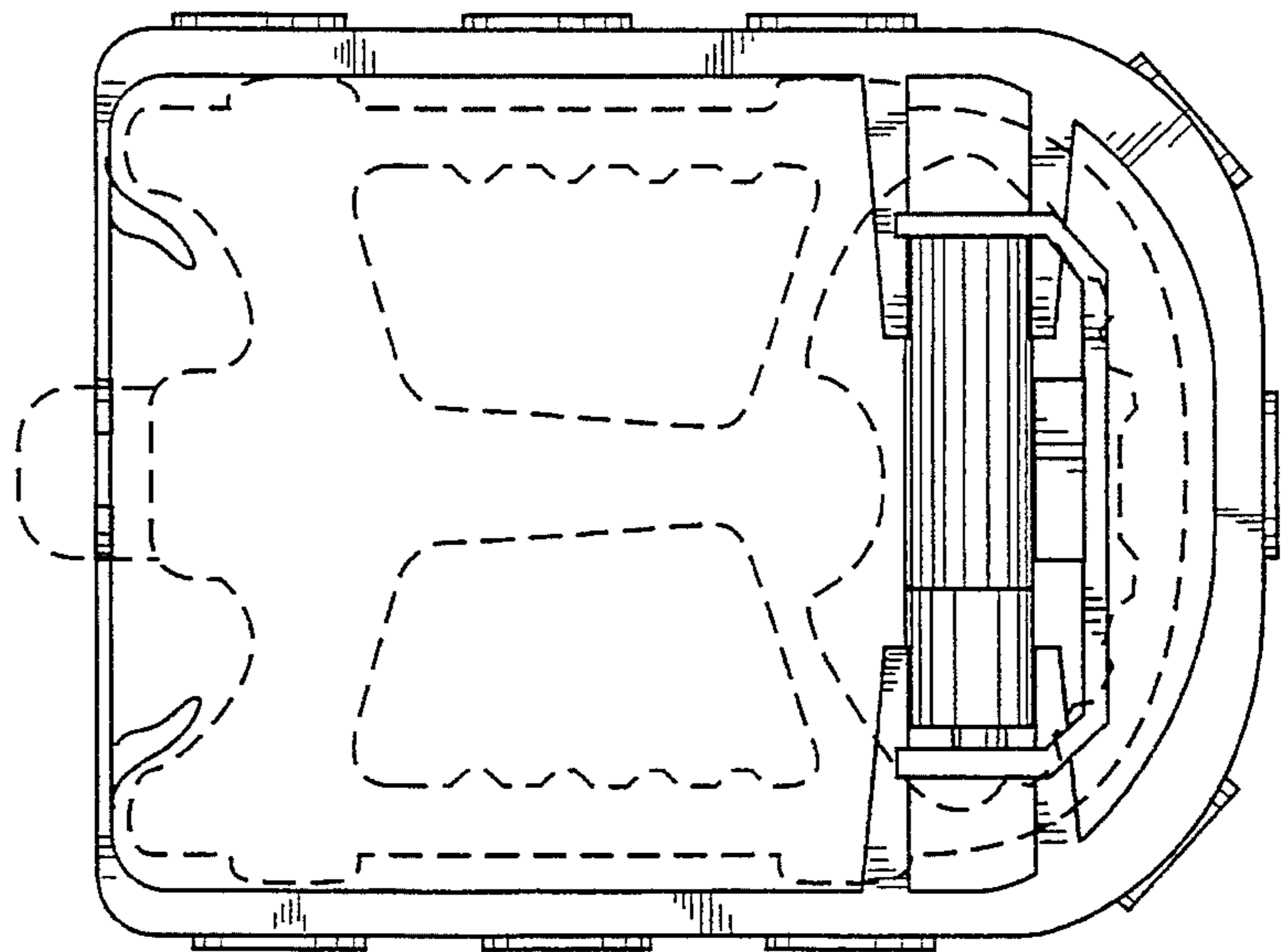


FIG. 2

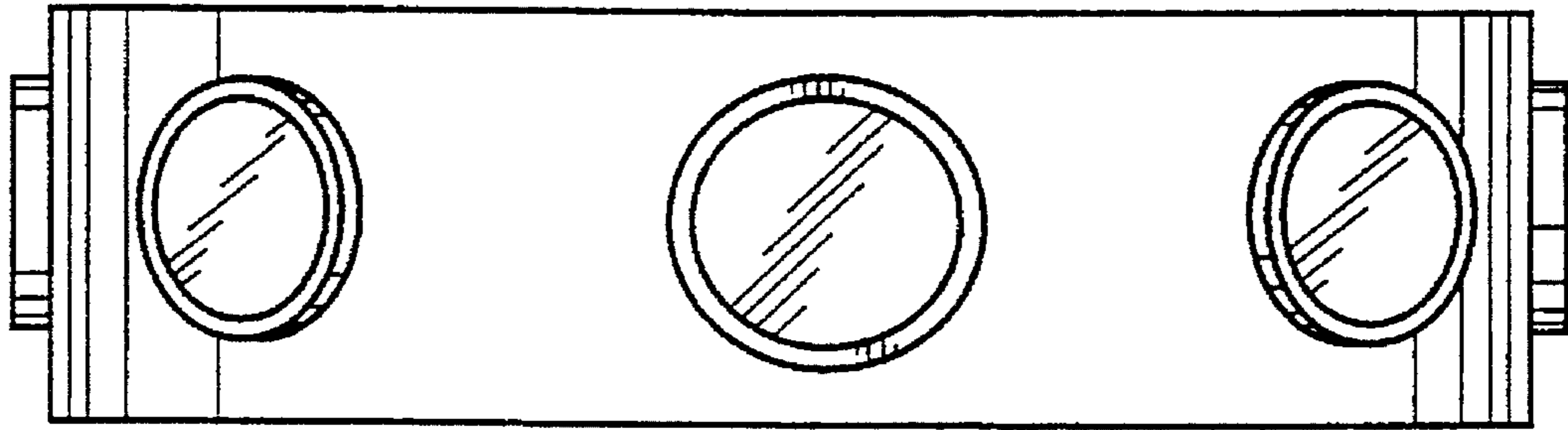


FIG. 3

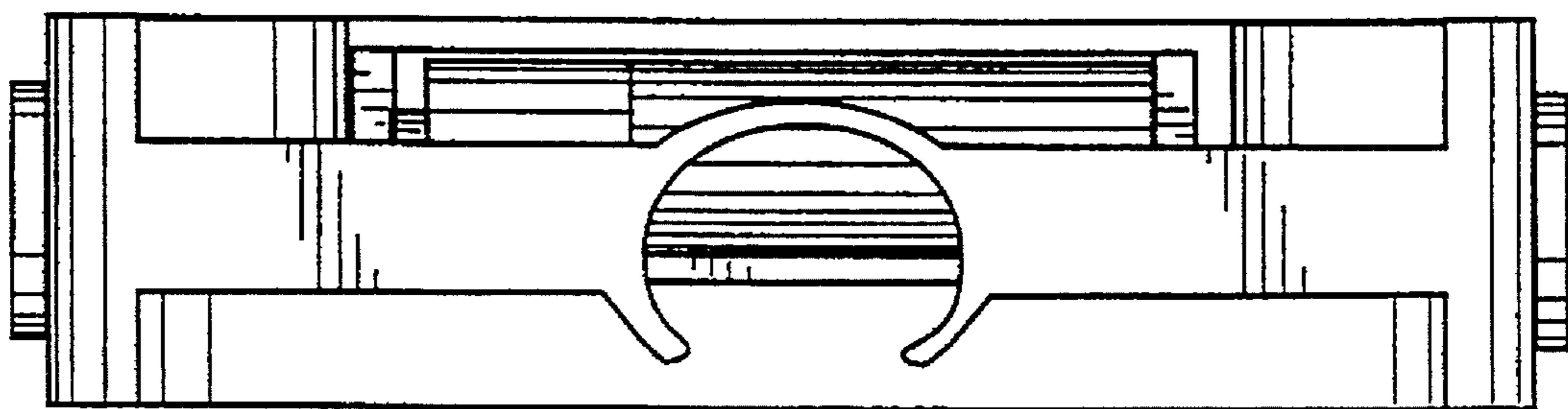


FIG. 4

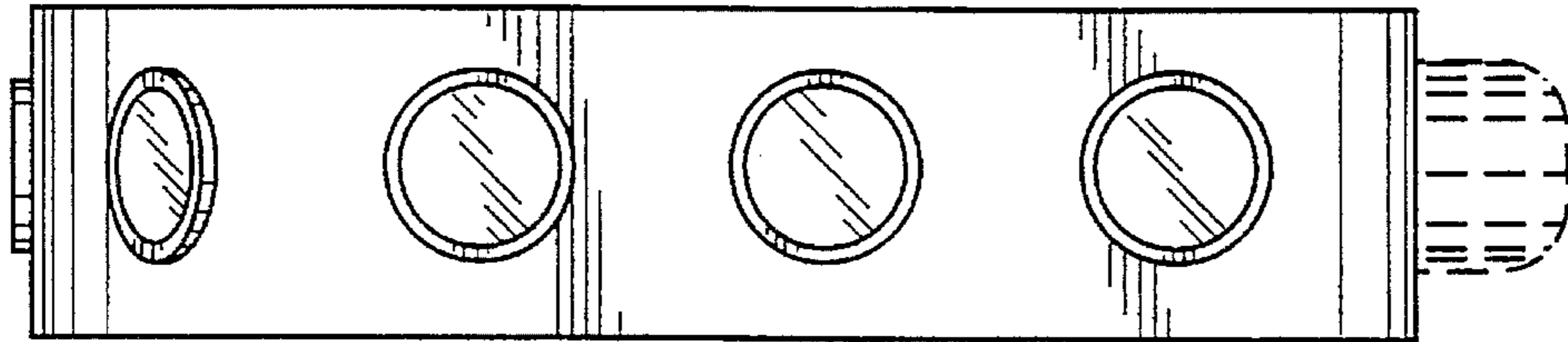


FIG. 5

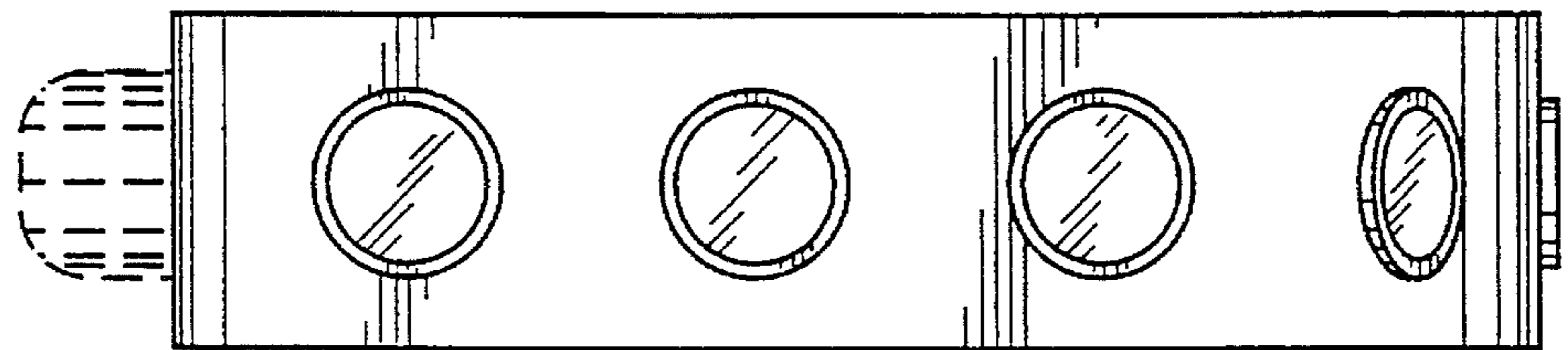


FIG. 6

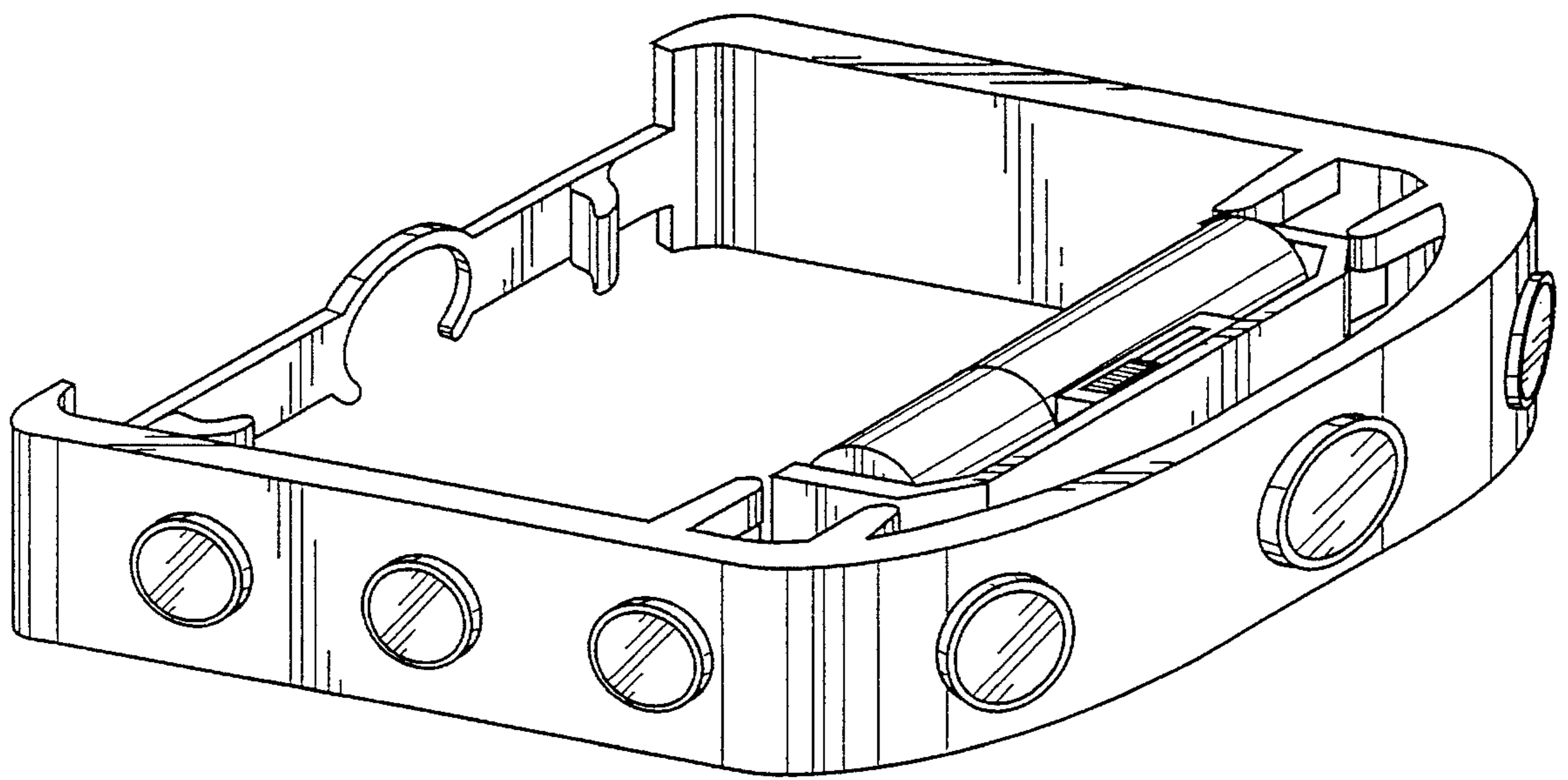


FIG. 7