



US00D370539S

United States Patent [19]

Treat

[11] Patent Number: **Des. 370,539**

[45] Date of Patent: ****Jun. 4, 1996**

[54] **MOLD FOR CEMENTITIOUS ROOFING TILE**

4,914,885 4/1990 Baker et al. 52/533

[76] Inventor: **C. Parker Treat**, P.O. Box 4711,
Kansas City, Mo. 64118-4711

Primary Examiner—Doris Clark
Attorney, Agent, or Firm—Kenneth W. Iles

[**] Term: **14 Years**

[57] **CLAIM**

The ornamental design for a mold for cementitious roofing tile, as shown and described.

[21] Appl. No.: **21,761**

[22] Filed: **Apr. 22, 1994**

[52] **U.S. Cl.** **D25/140**

[58] **Field of Search** D25/139-144;
52/533, 524, 536, 518, 384-387, 389-390,
578, 581, 583, 584, 553

DESCRIPTION

FIG. 1 is a top perspective view of the mold for cementitious roofing tile;

FIG. 2 is a bottom perspective view thereof;

FIG. 3 is a top plan view thereof;

FIG. 4 is a bottom plan view thereof;

FIG. 5 is a front elevation thereof;

FIG. 6 is a rear elevation thereof;

FIG. 7 is a right-hand side elevation thereof; and,

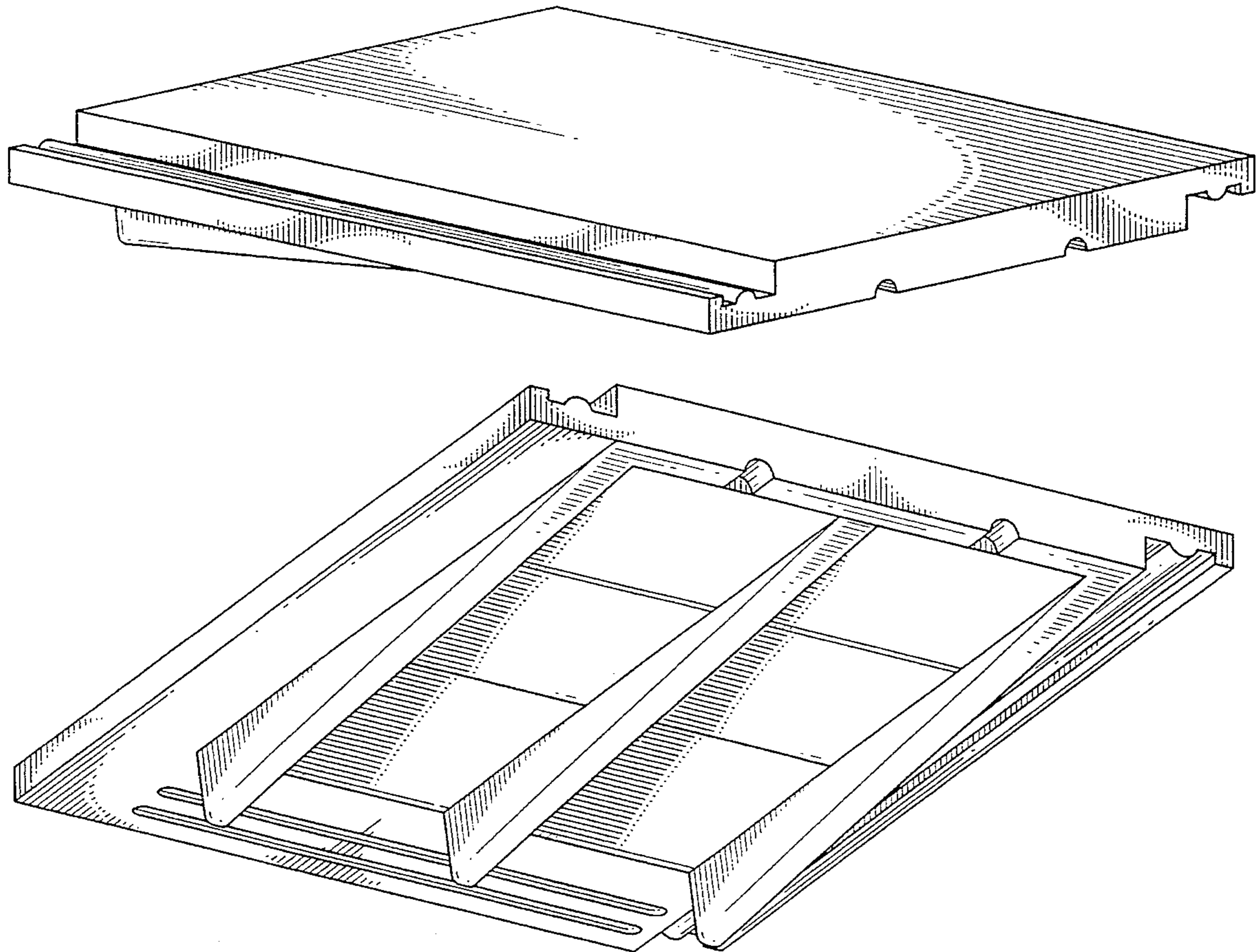
FIG. 8 is a left-hand side elevation thereof.

[56] **References Cited**

U.S. PATENT DOCUMENTS

D. 321,942	11/1991	Lynn	D25/140
D. 338,541	8/1993	Fifield	D25/140
4,432,183	2/1984	Pike et al.	D25/140
4,574,536	3/1986	Bamber et al.	52/533

1 Claim, 3 Drawing Sheets



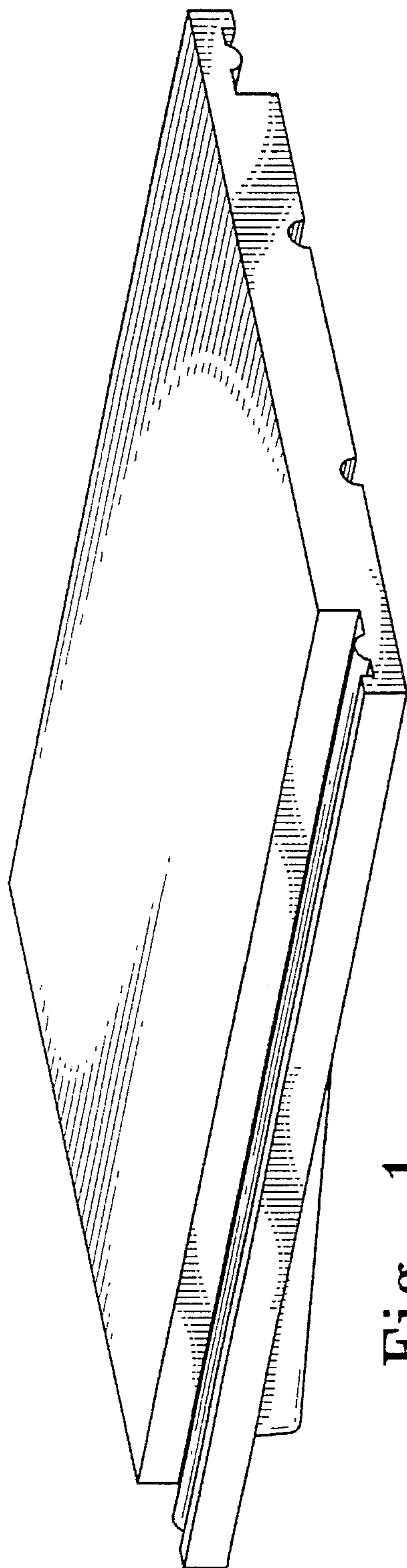


Fig. 1

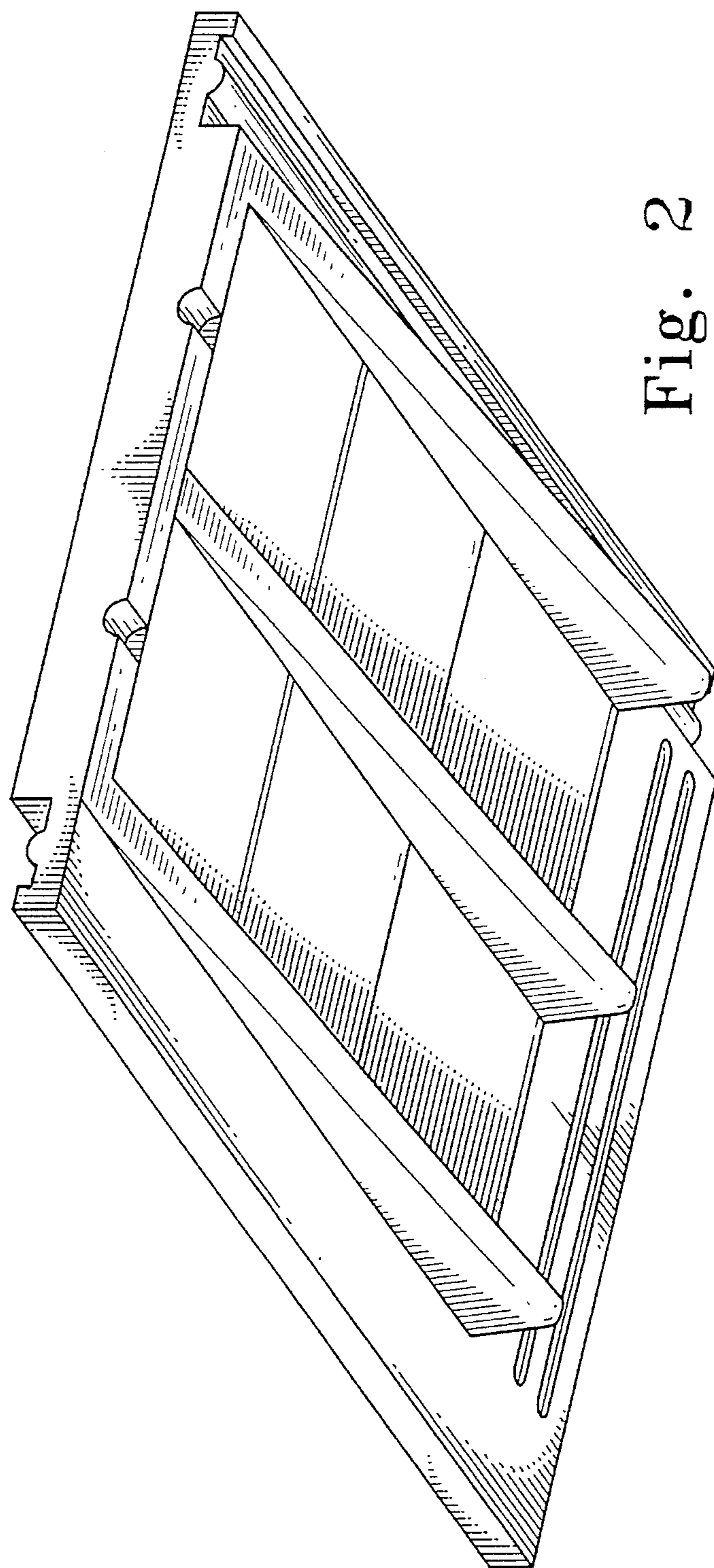


Fig. 2

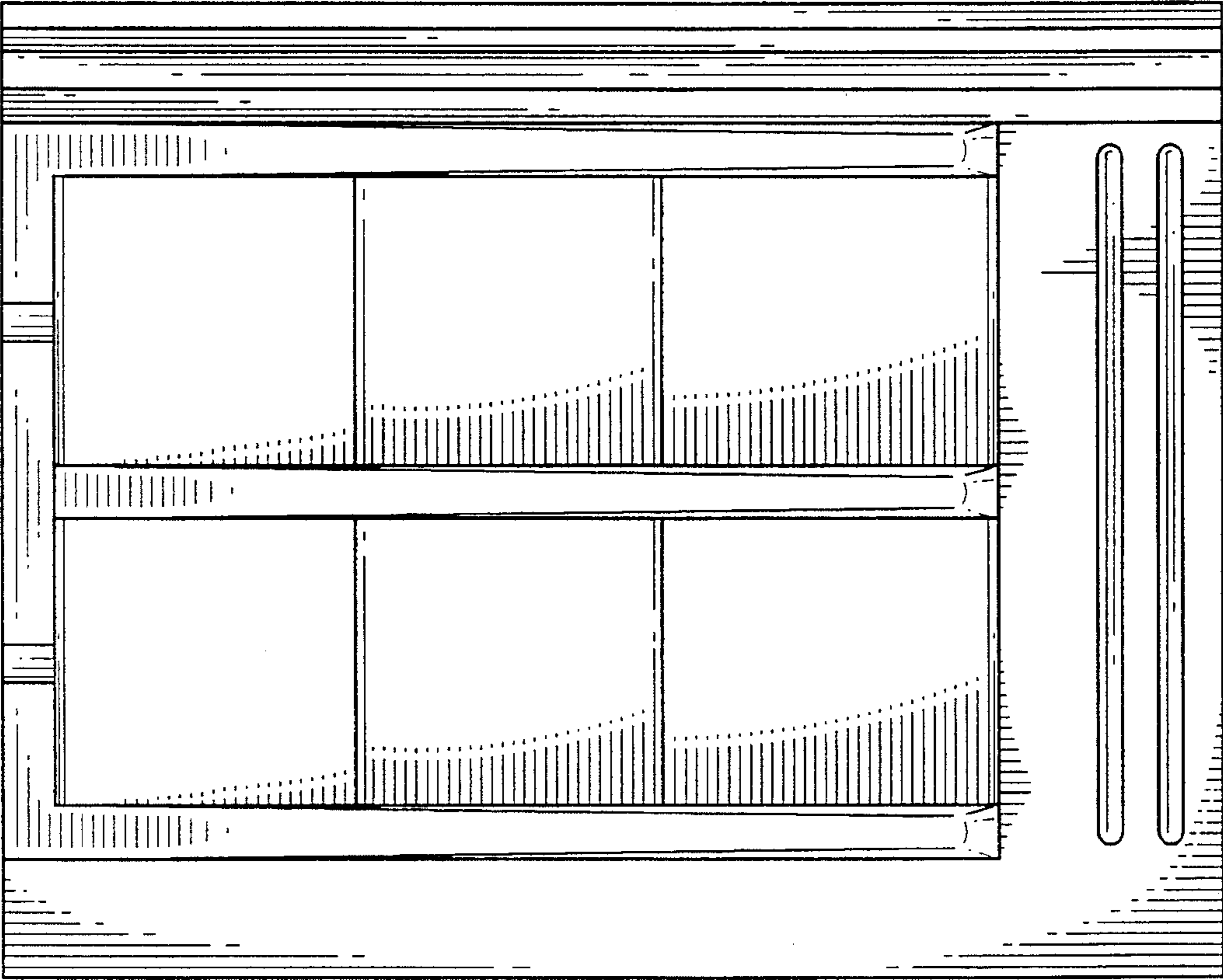


Fig. 4

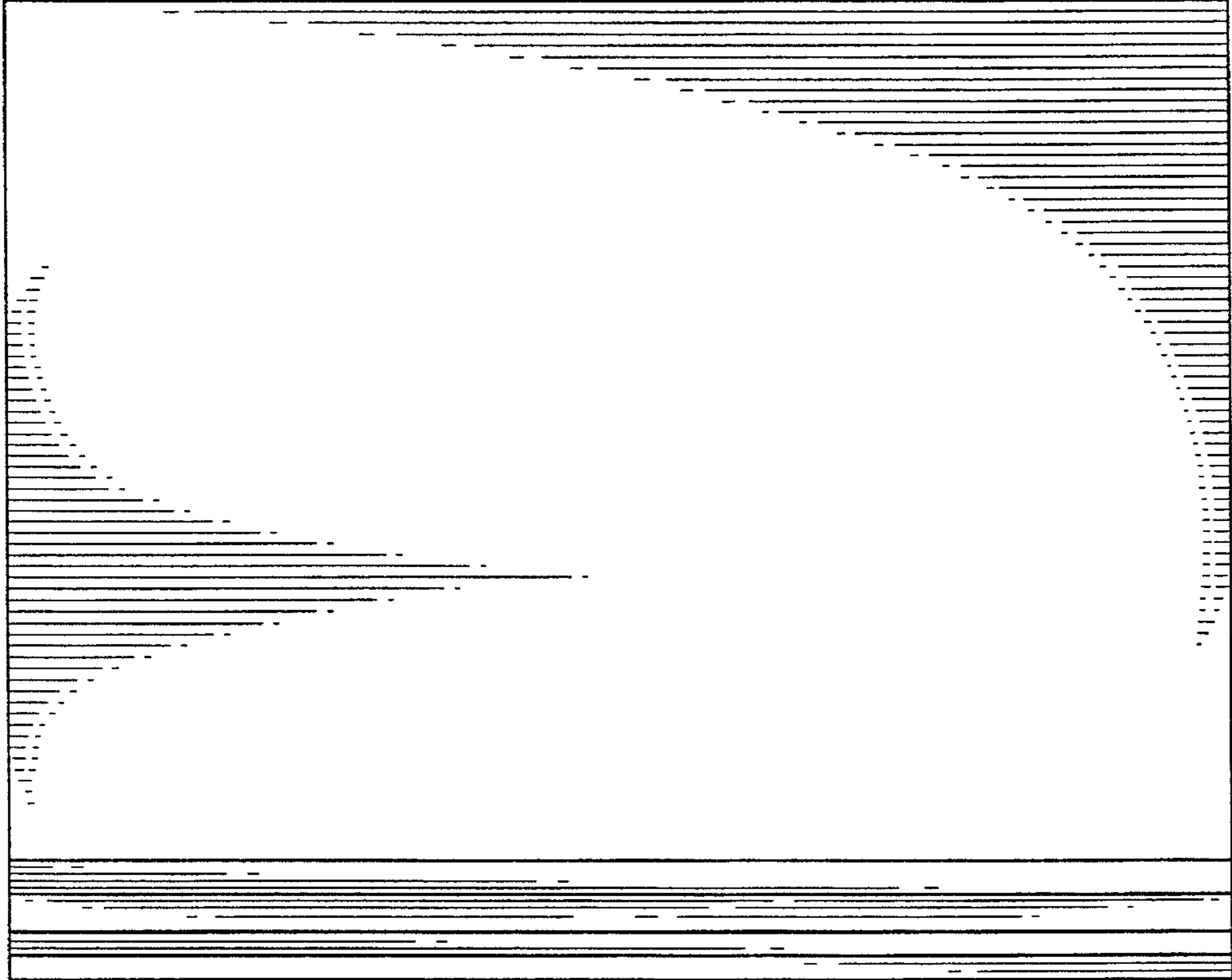


Fig. 3

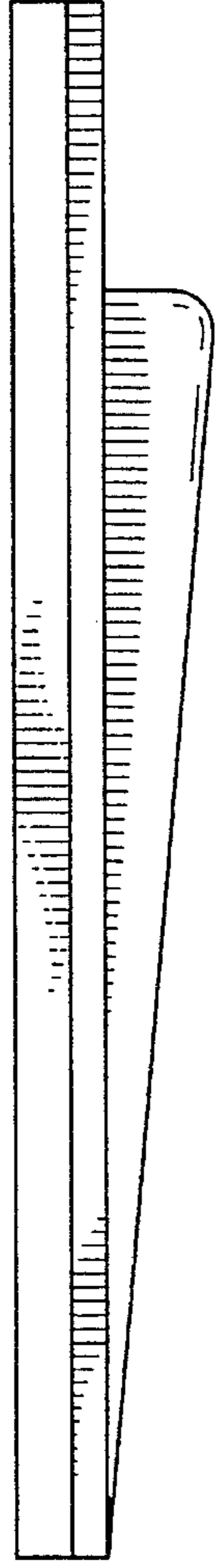


Fig. 7

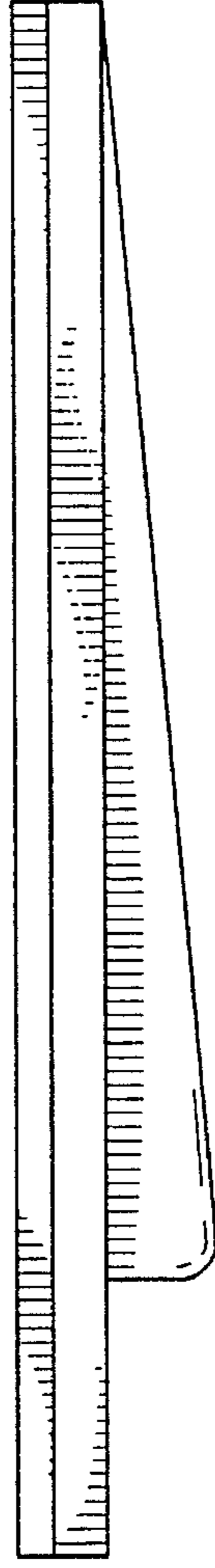


Fig. 8

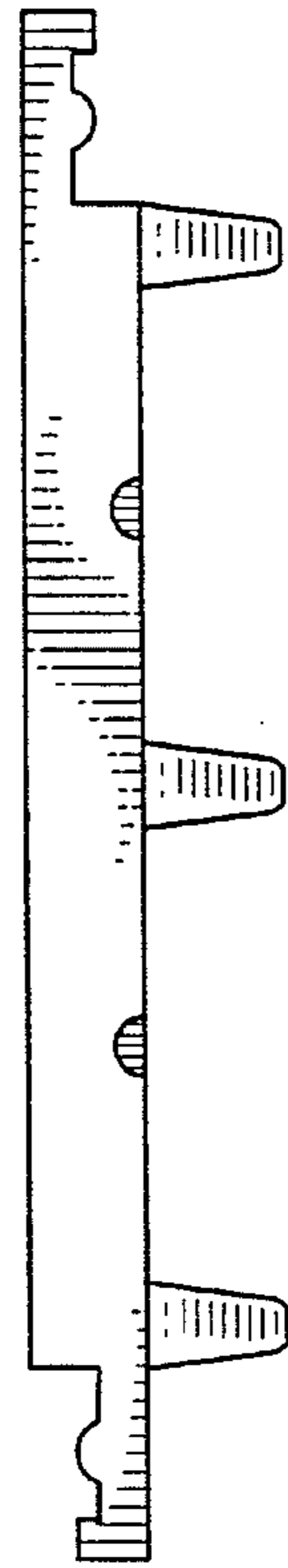


Fig. 5

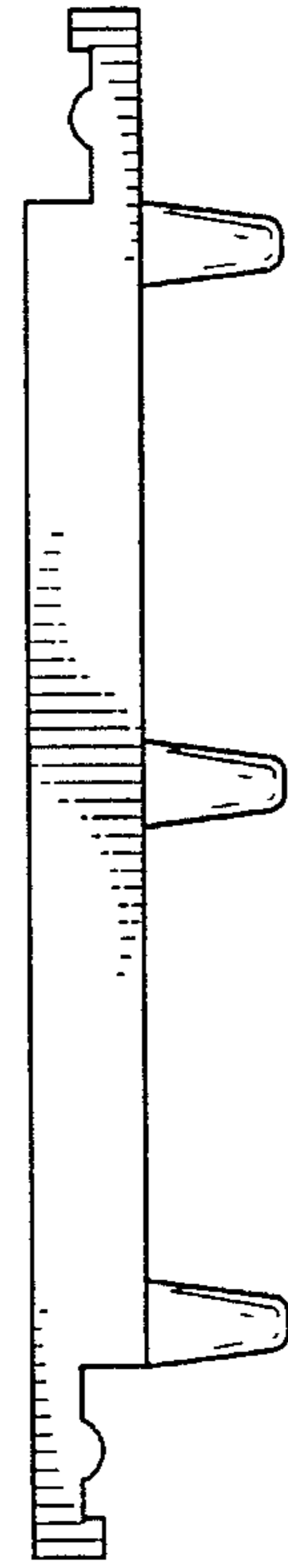


Fig. 6