



US00D370530S

United States Patent [19]

[11] Patent Number: **Des. 370,530**

King et al.

[45] Date of Patent: ****Jun. 4, 1996**

[54] **DORSAL SNORKEL**

5,015,208	5/1991	Fox et al.	441/65 X
5,055,075	10/1991	Waller, Jr.	441/65 X
5,117,817	6/1992	Lin	D24/110.5 X

[76] Inventors: **Thomas F. King; Joanna C. King**,
both of 669 Tyler Run, Wake Forest,
N.C. 27587

Primary Examiner—Louis S. Zarfes
Assistant Examiner—I. Simmons

[**] Term: **14 Years**

[57] **CLAIM**

[21] Appl. No.: **21,501**

The ornamental design for a dorsal snorkel, as shown and described.

[22] Filed: **Apr. 19, 1994**

[52] U.S. Cl. **D24/110.5; D24/110.6**

DESCRIPTION

[58] **Field of Search** D24/110.5, 110.6;
D2/732, 731, 735, 869; D21/157; 128/201.11,
200.29, 207.14, 911; 441/65, 79; 446/27,
28, 153, 154, 155

FIG. 1 is a perspective view of a dorsal snorkel in accordance with the present design;
FIG. 2 is a perspective view of a dorsal snorkel;
FIG. 3 is a top view of a dorsal snorkel;
FIG. 4 is a side elevational view of a dorsal snorkel;
FIG. 5 is a front elevational view of a dorsal snorkel;
FIG. 6 is a side elevational view of a dorsal snorkel;
FIG. 7 is a back elevational view of a dorsal snorkel; and,
FIG. 8 is a bottom view of a dorsal snorkel.

[56] **References Cited**

U.S. PATENT DOCUMENTS

D. 251,157	2/1979	Walter	D2/869
2,931,057	4/1960	Vilarem	128/201.11
2,975,439	3/1961	Bentley	128/201.11
3,491,997	1/1970	Winters	441/65 X

1 Claim, 5 Drawing Sheets

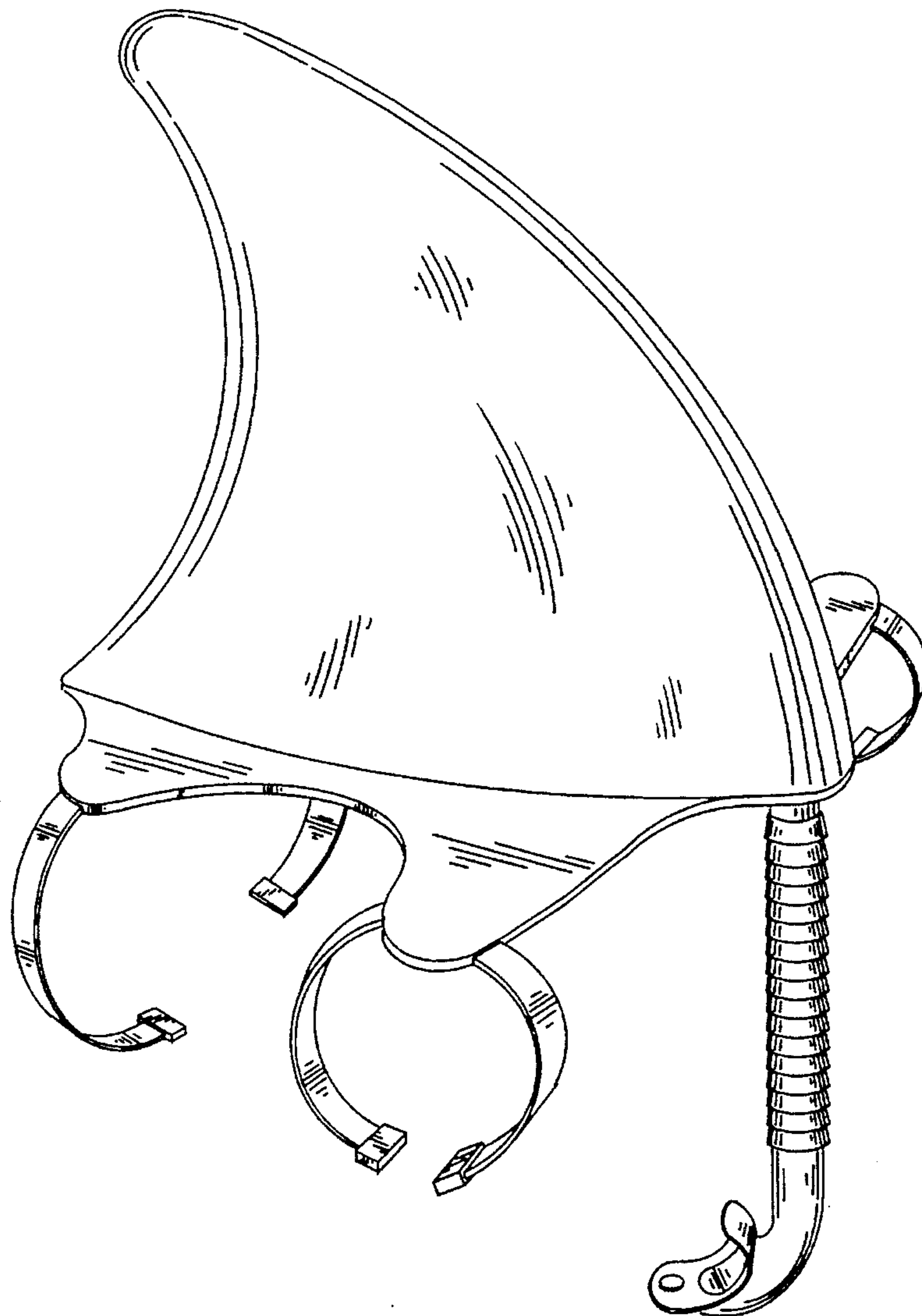


FIG. 1

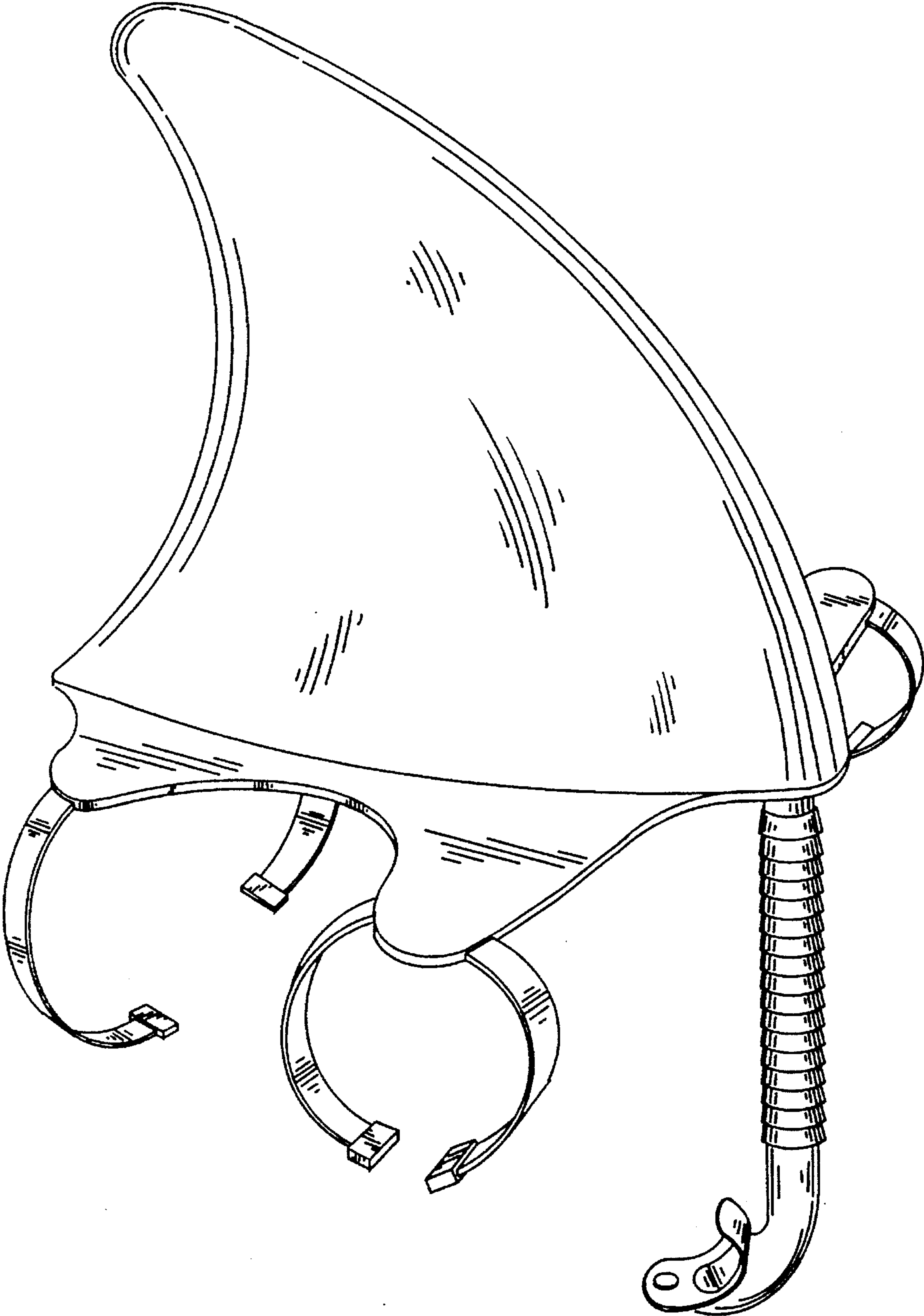
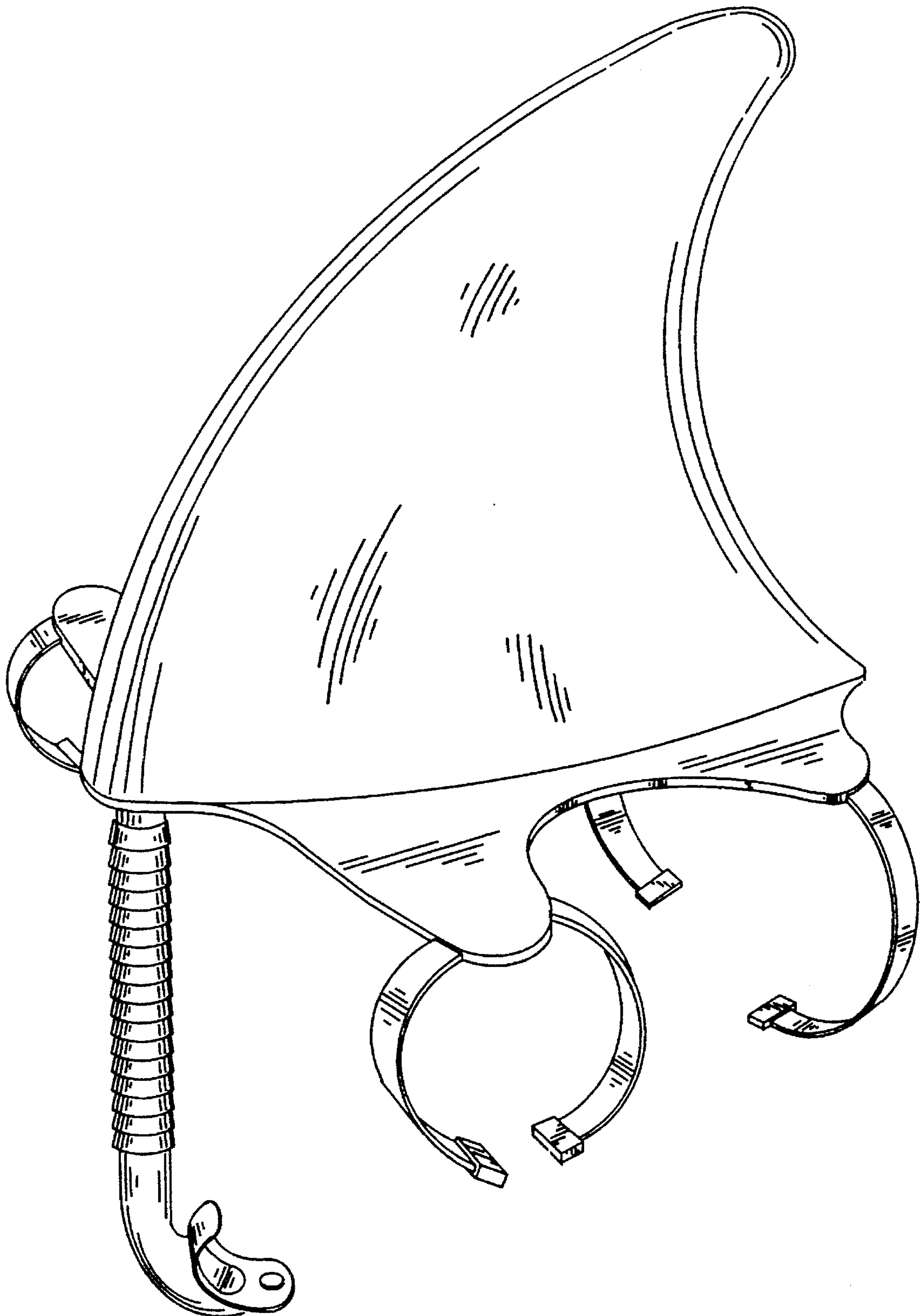


FIG. 2



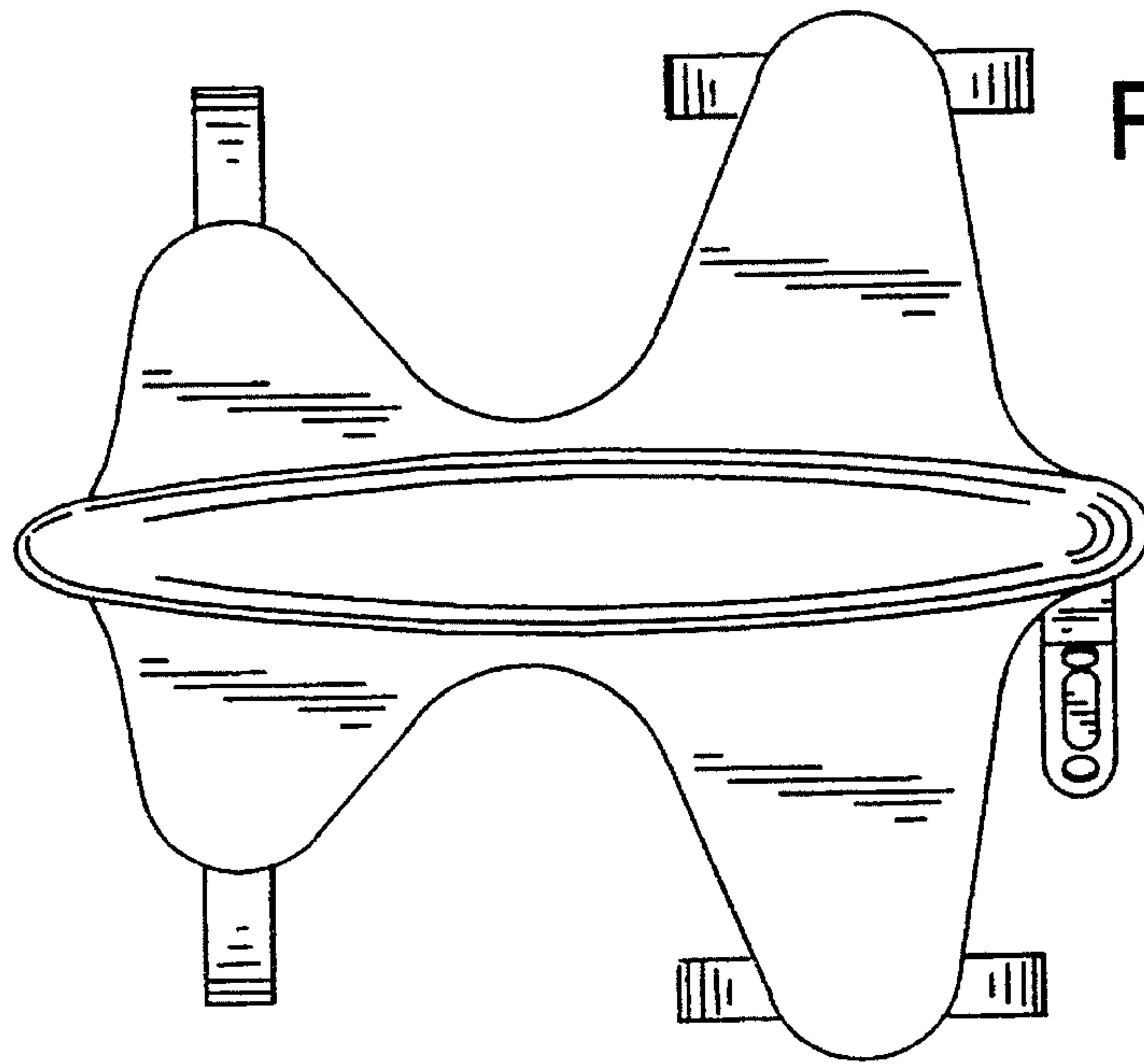


FIG. 3

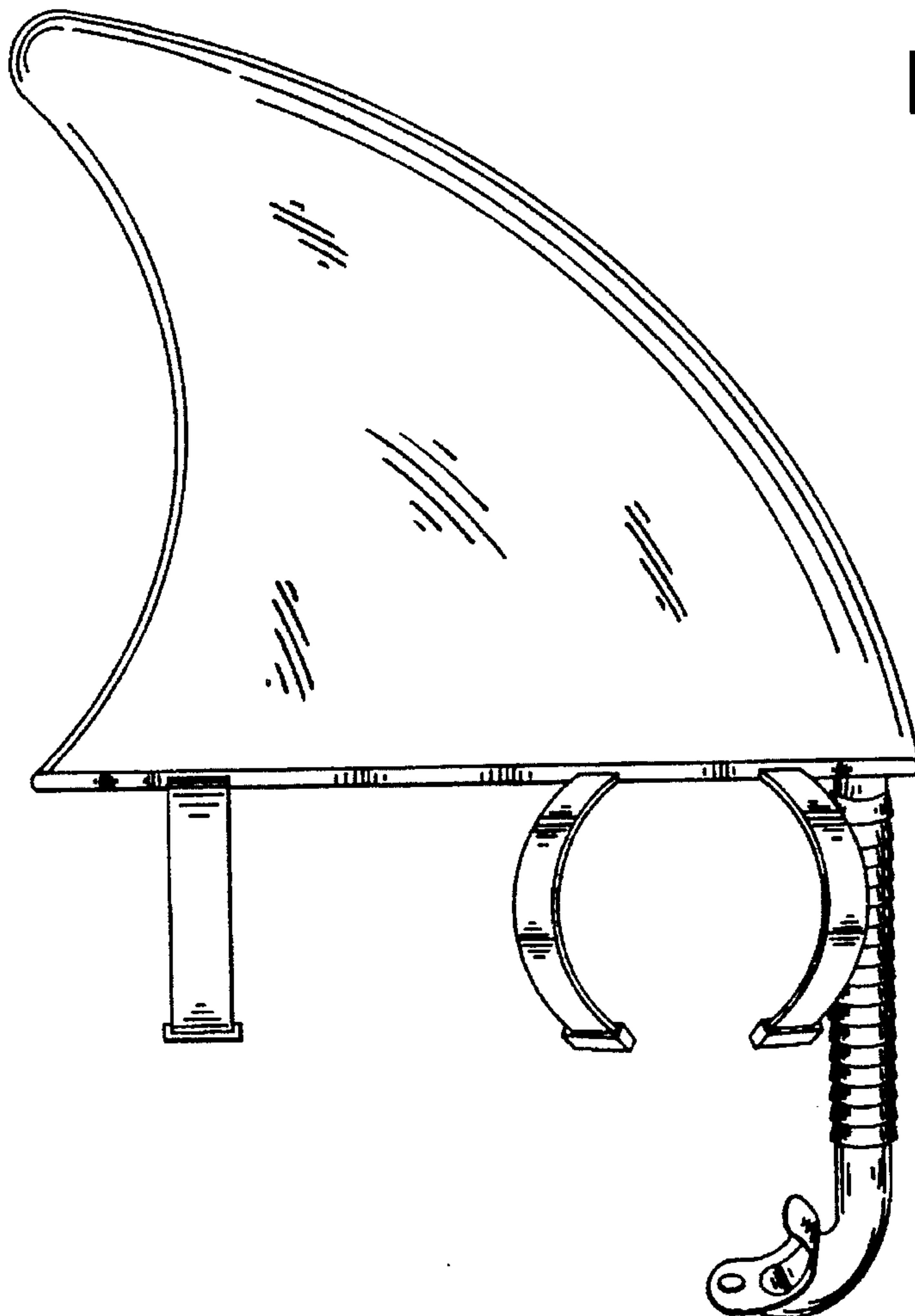


FIG. 4

FIG. 5

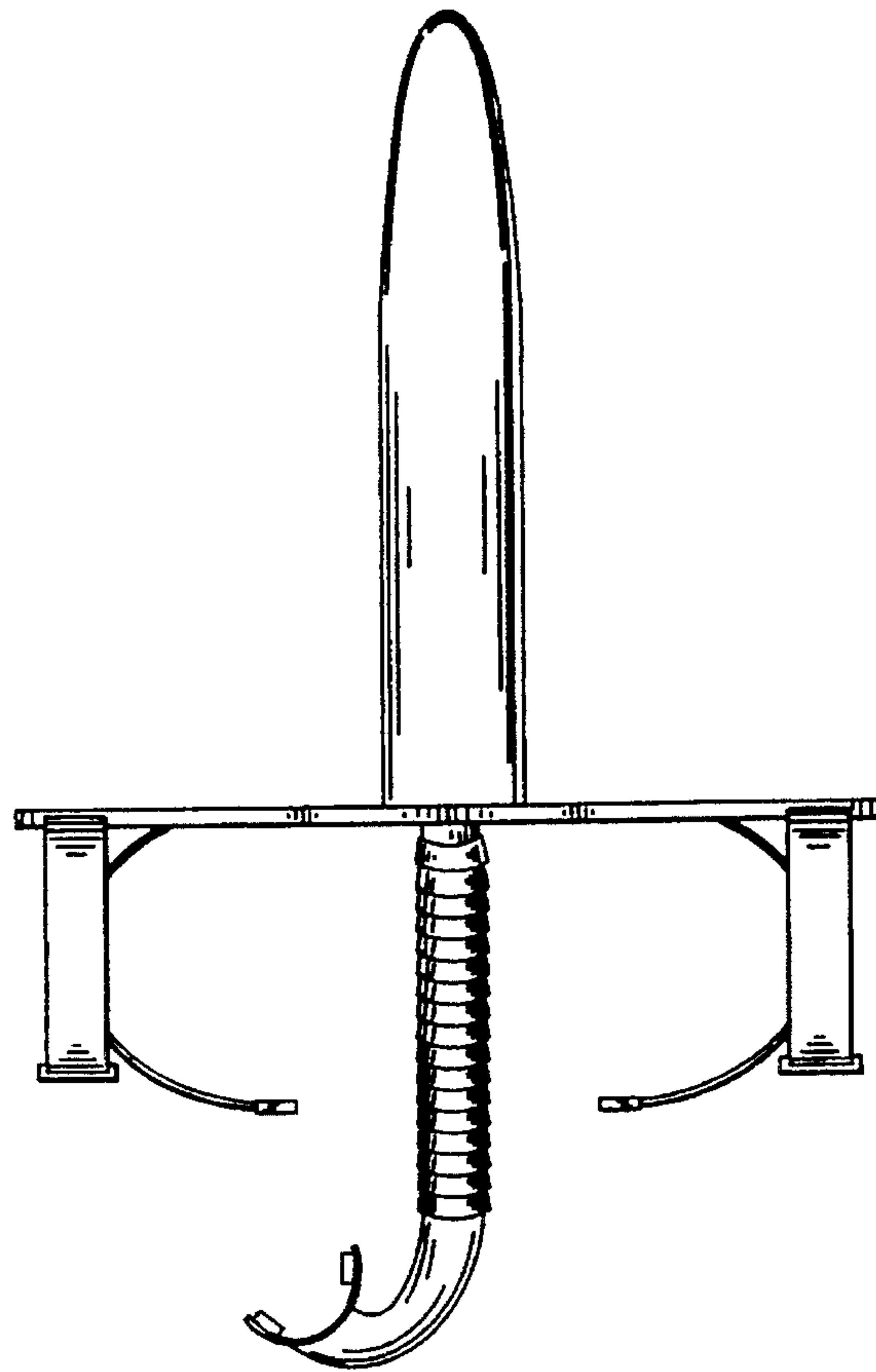
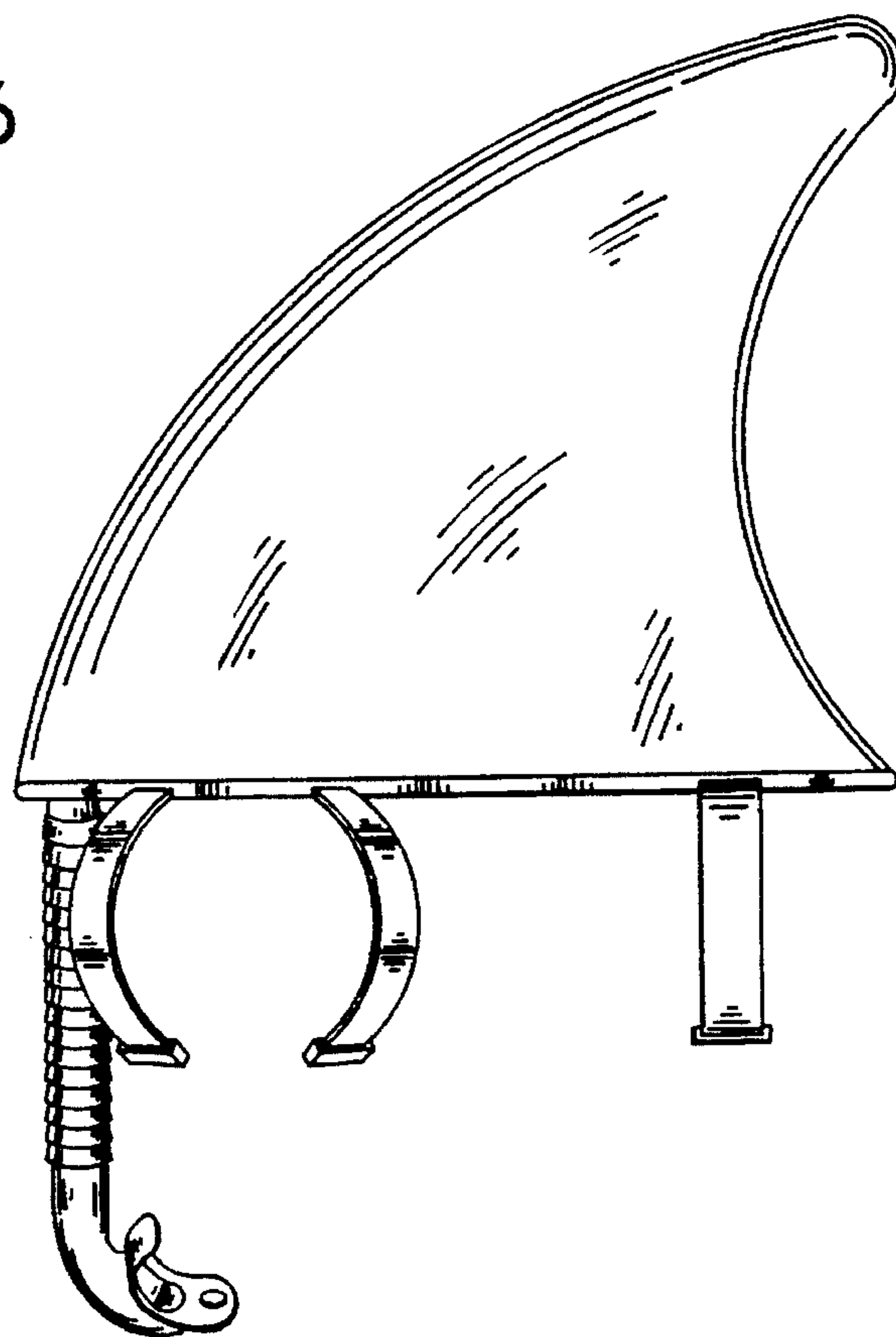


FIG. 6



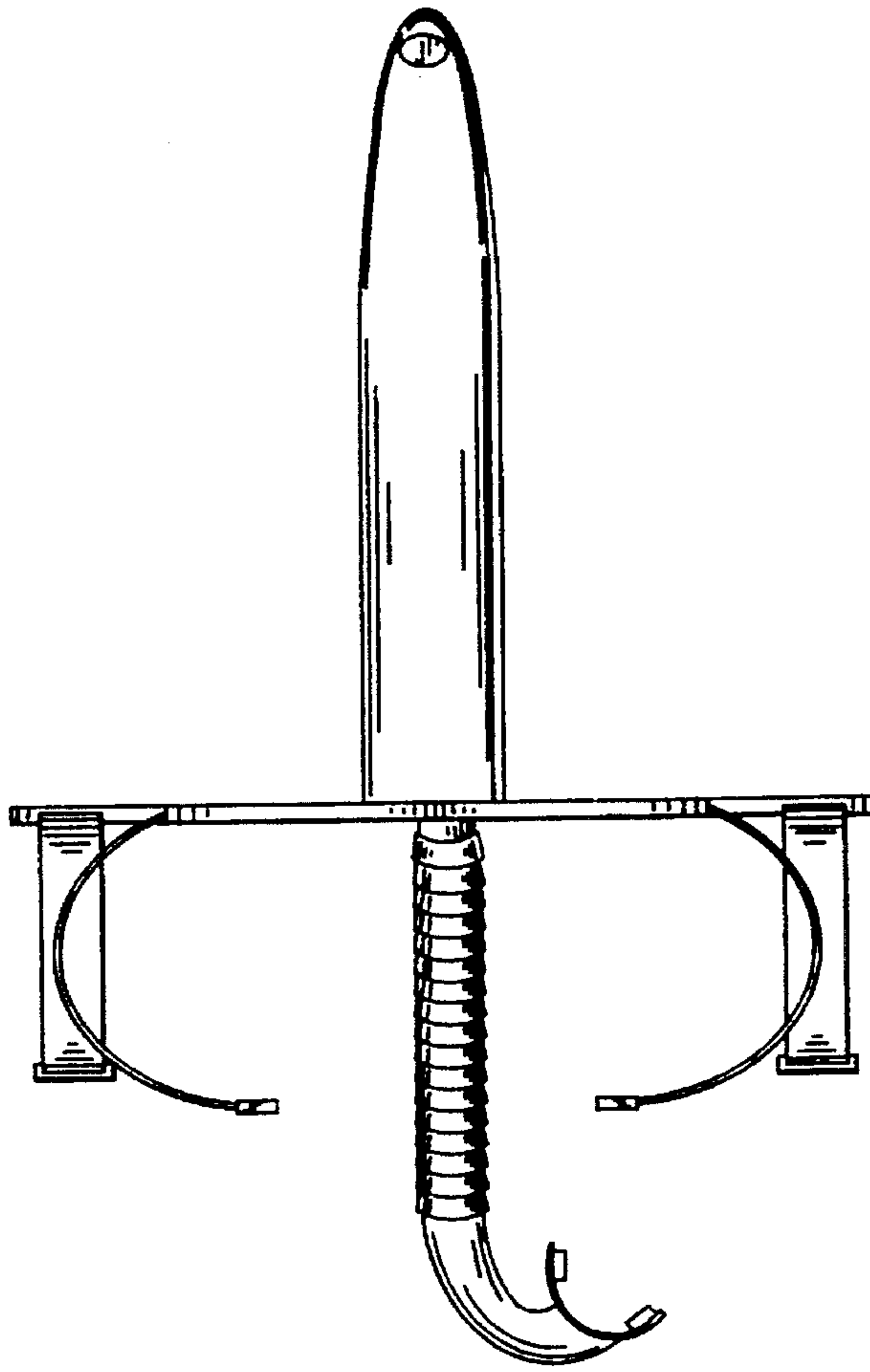


FIG. 7

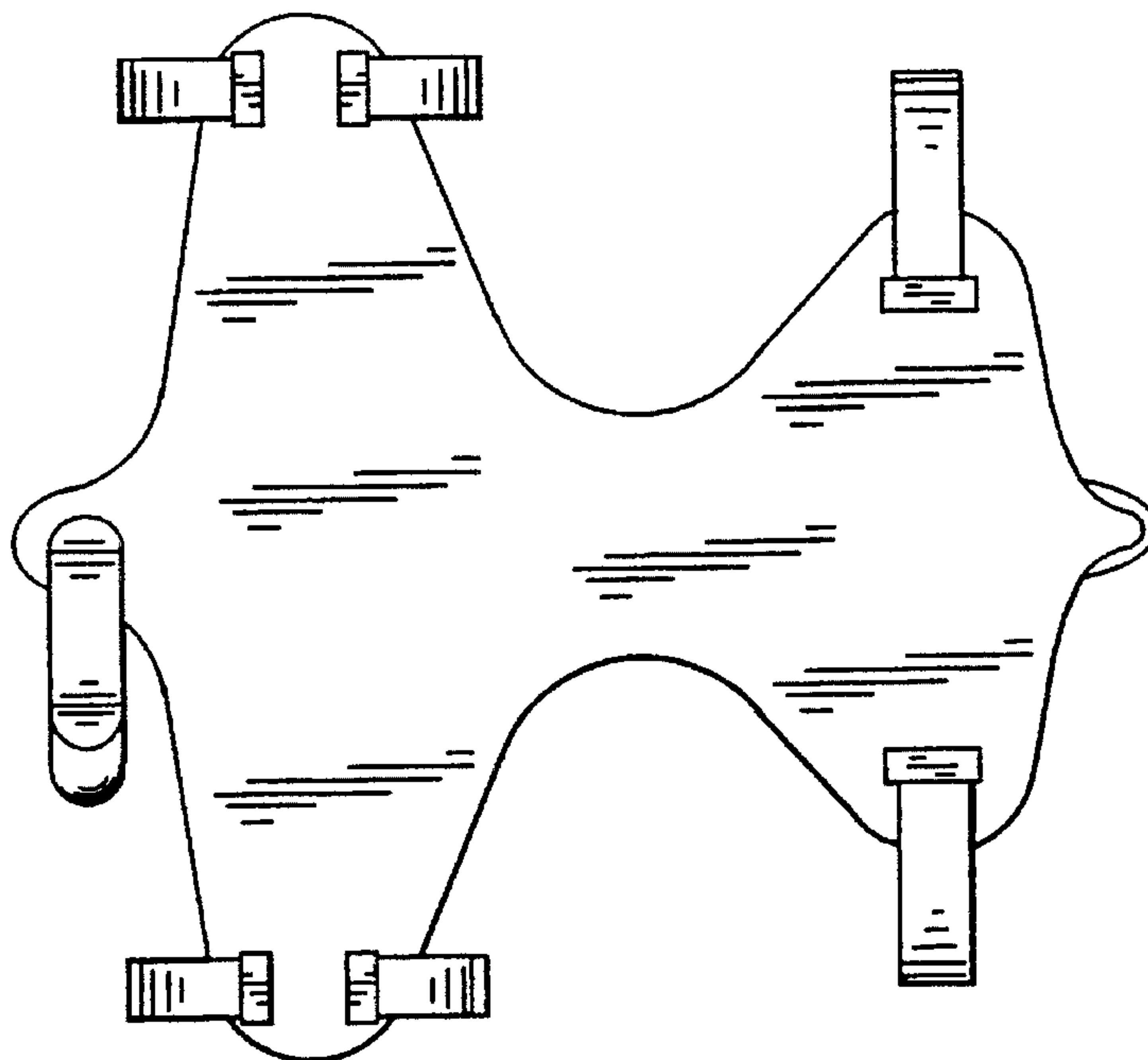


FIG. 8