



US00D370527S

United States Patent [19]
Perino

[11] **Patent Number:** **Des. 370,527**
[45] **Date of Patent:** ****Jun. 4, 1996**

[54] **PORTABLE SHOWER**

5,311,620 5/1994 Ratje .

[76] Inventor: **Thomas J. Perino**, 2355 W. River Rd.,
Jackson, Wyo. 83001

Primary Examiner—Stella Reid
Assistant Examiner—Eric Watterson
Attorney, Agent, or Firm—Dennis H. Lambert

[**] Term: **14 Years**

[57] **CLAIM**

[21] Appl. No.: **38,313**

The ornamental design for a portable shower, as shown and described.

[22] Filed: **May 3, 1995**

[52] U.S. Cl. **D23/283**

[58] Field of Search D23/283; 4/527,
4/599, 602, 603, 613, 900

DESCRIPTION

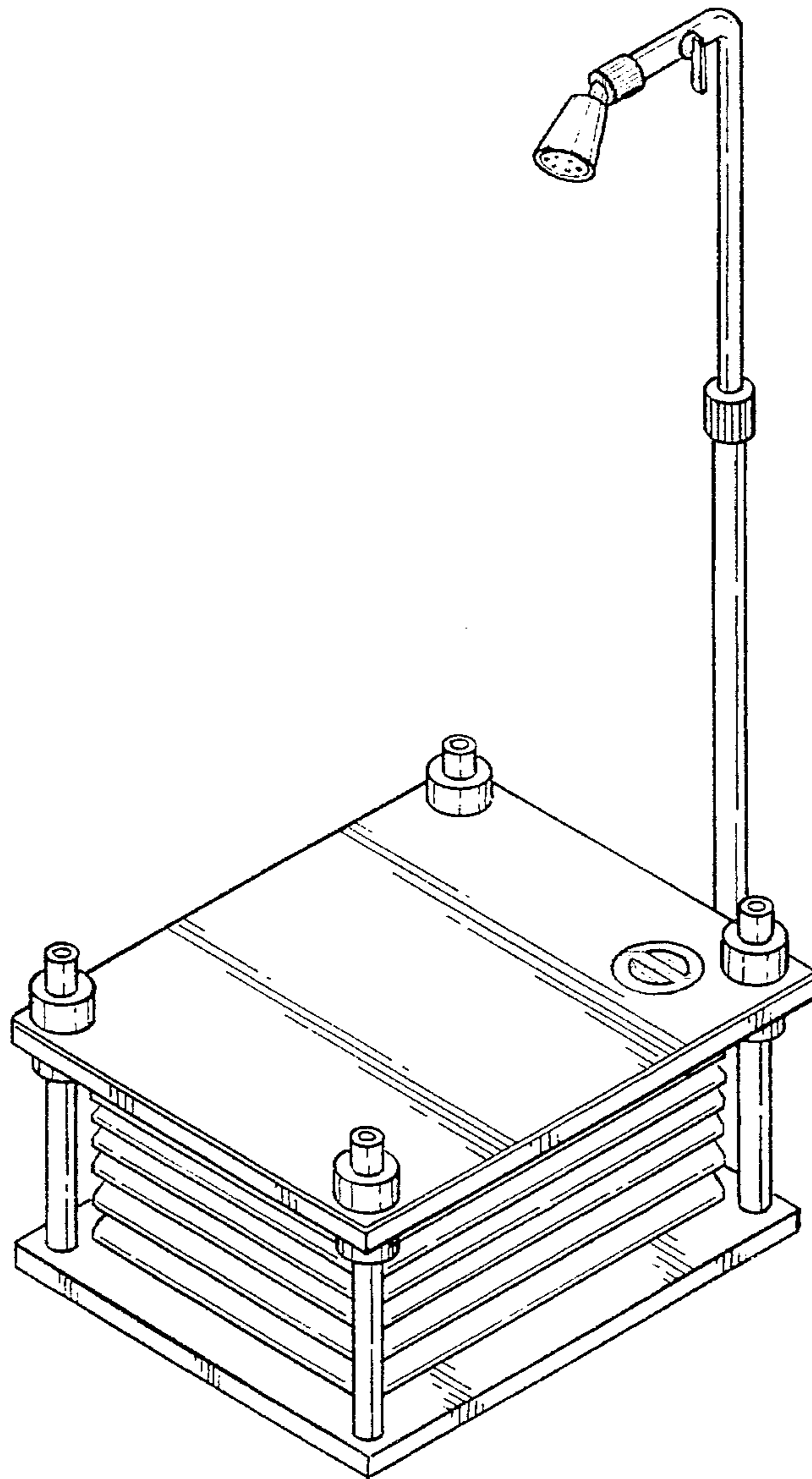
FIG. 1 is a front, top and side perspective view of the portable shower embodying the design of the present invention;
FIG. 2 is a front elevational view thereof;
FIG. 3 is a rear elevational view thereof;
FIG. 4 is a right side elevational view thereof;
FIG. 5 is a left side elevational view thereof;
FIG. 6 is a top plan view thereof; and,
FIG. 7 is a bottom plan view thereof.

[56] **References Cited**

U.S. PATENT DOCUMENTS

3,080,568	3/1963	Burnett	4/602
4,453,280	6/1984	Greenleaf	4/603 X
4,539,720	9/1985	Westerweller .	
4,893,364	1/1990	Keeler .	
5,111,538	5/1992	Chapman	4/603 X
5,161,266	11/1992	Hildebrand	4/603

1 Claim, 4 Drawing Sheets



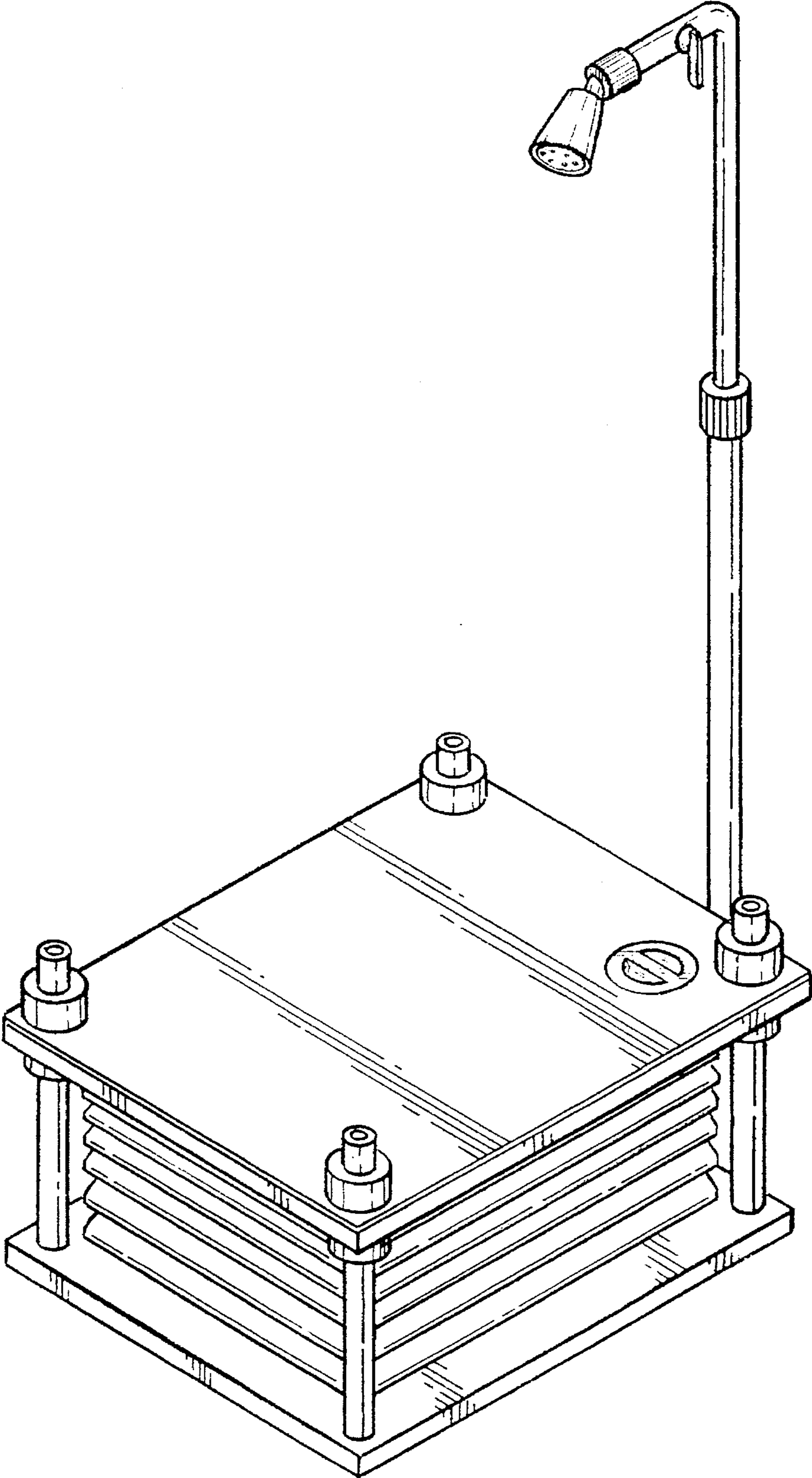


FIG. 1

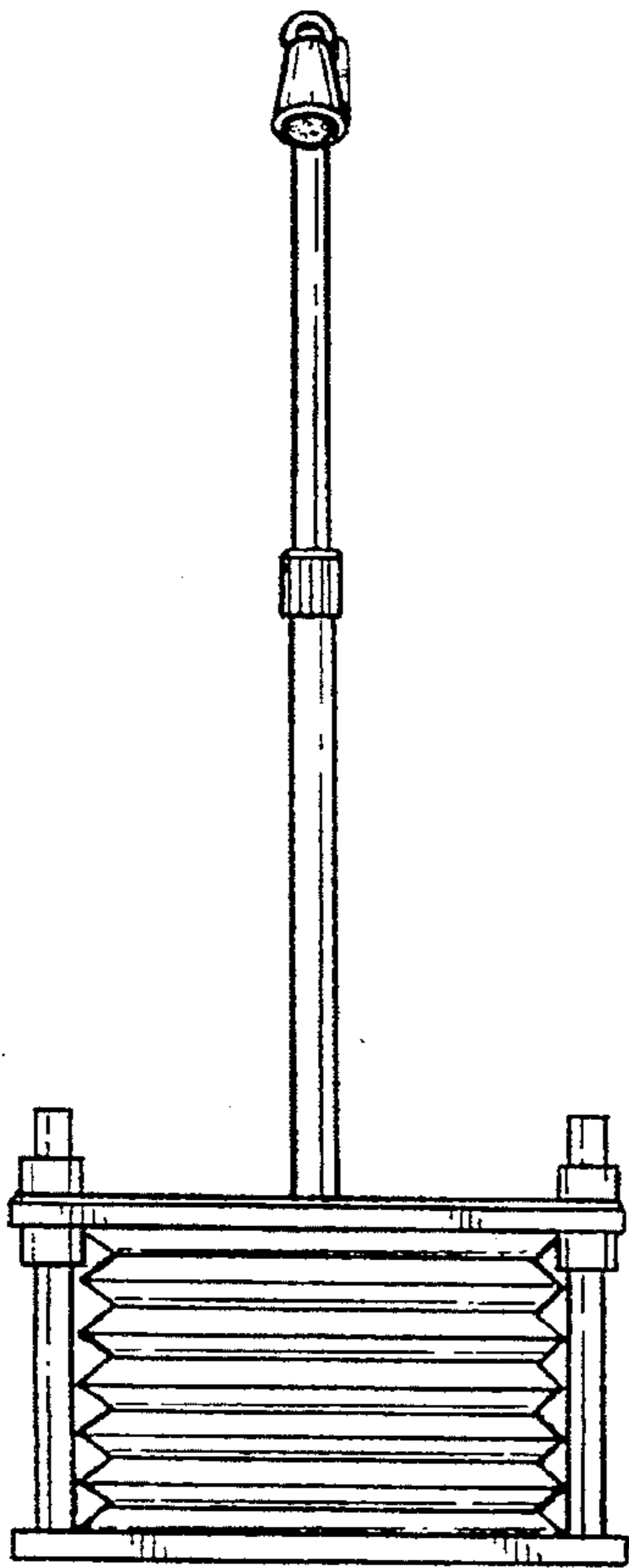


FIG. 2

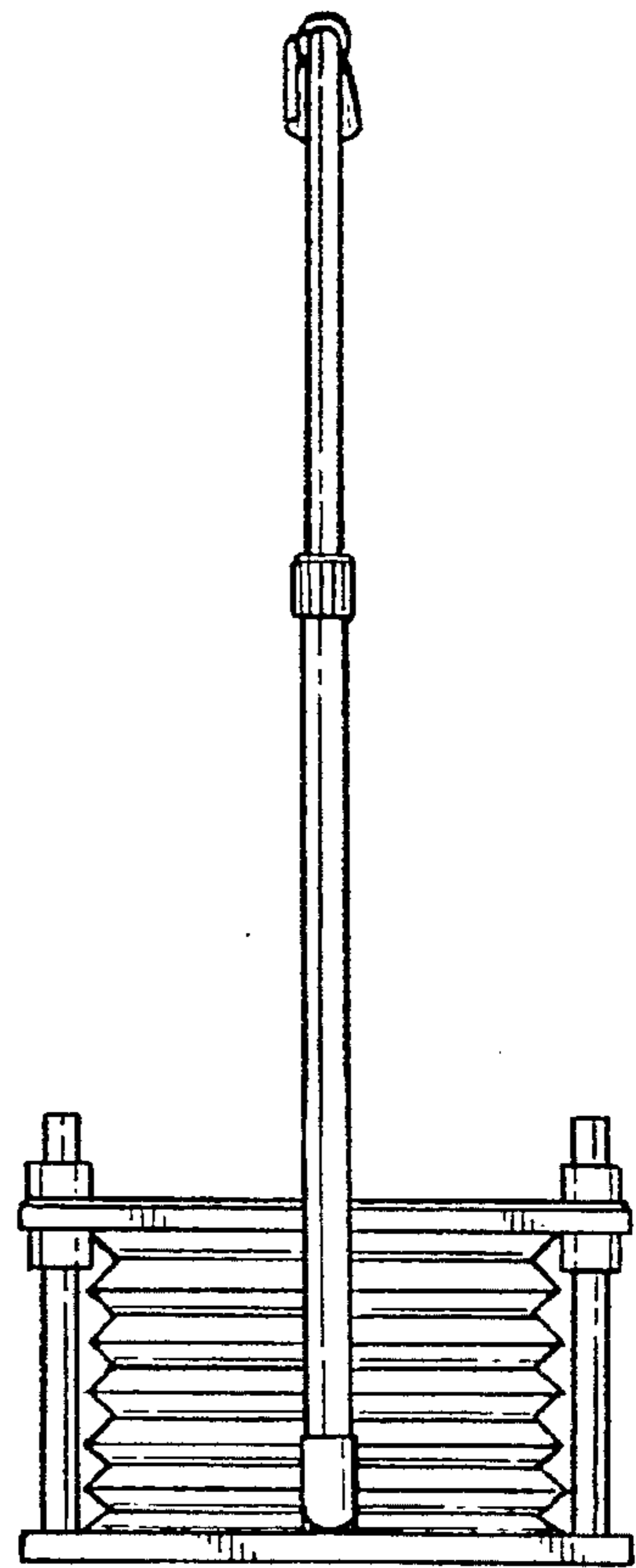


FIG. 3

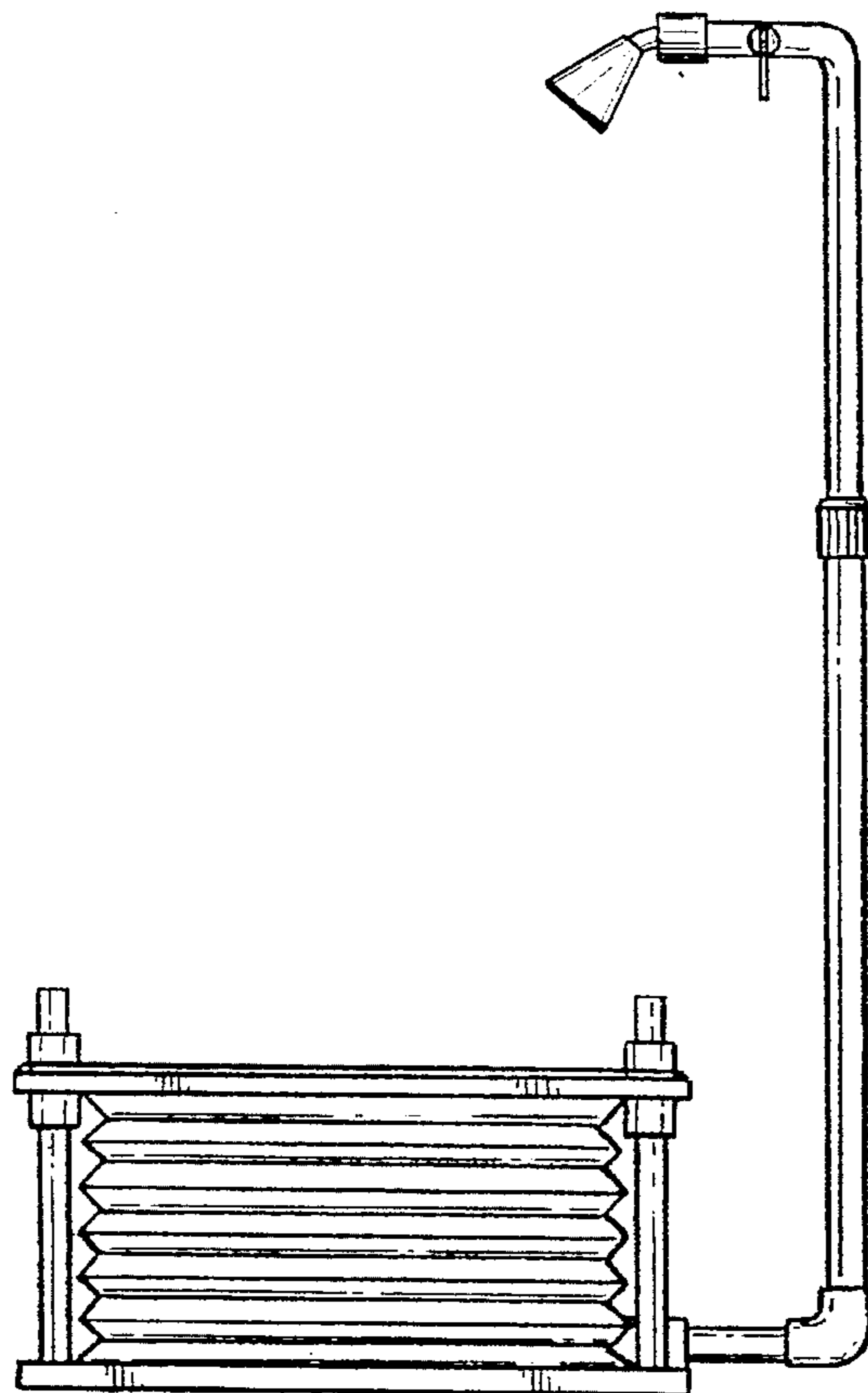


FIG. 4

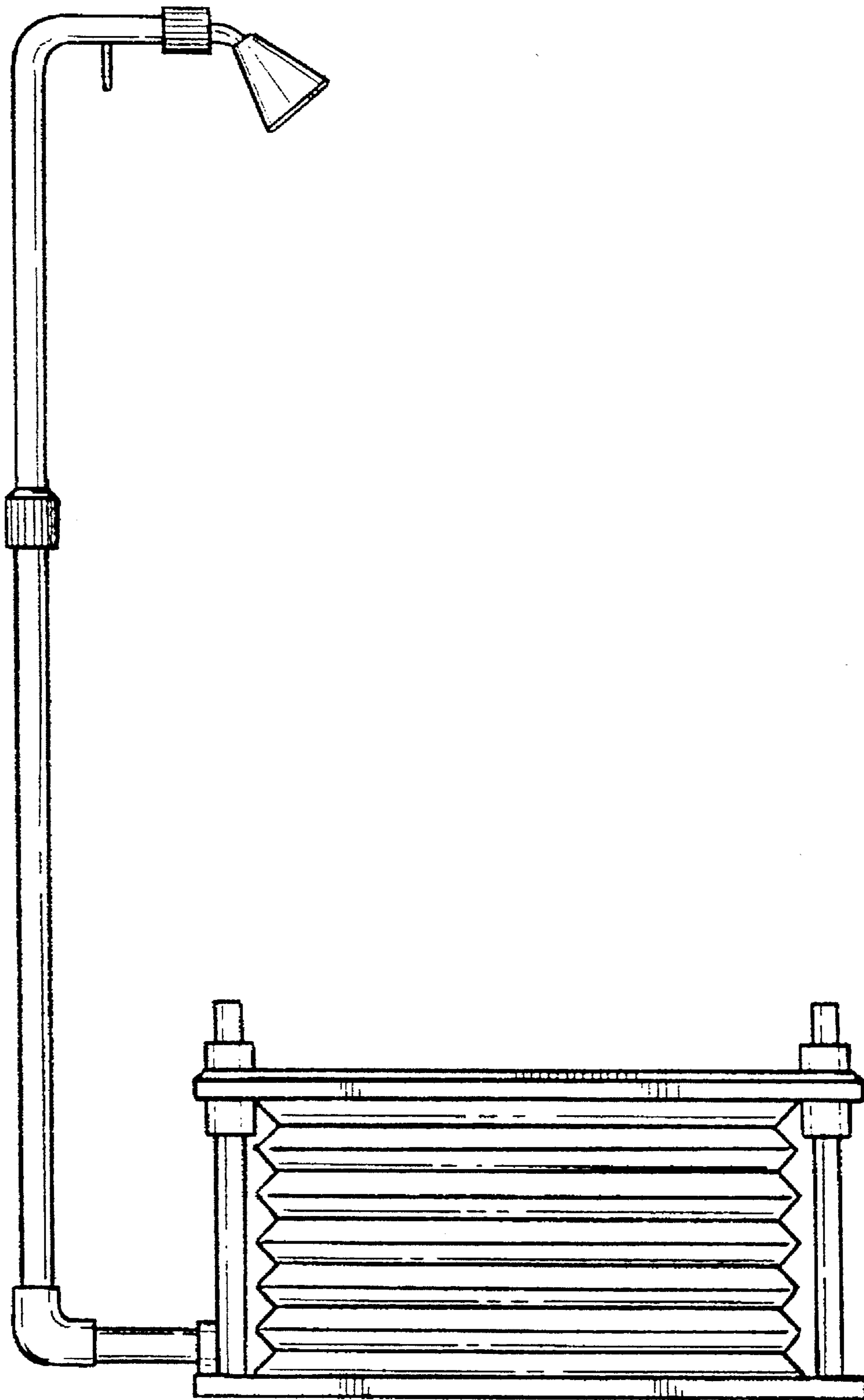


FIG. 5

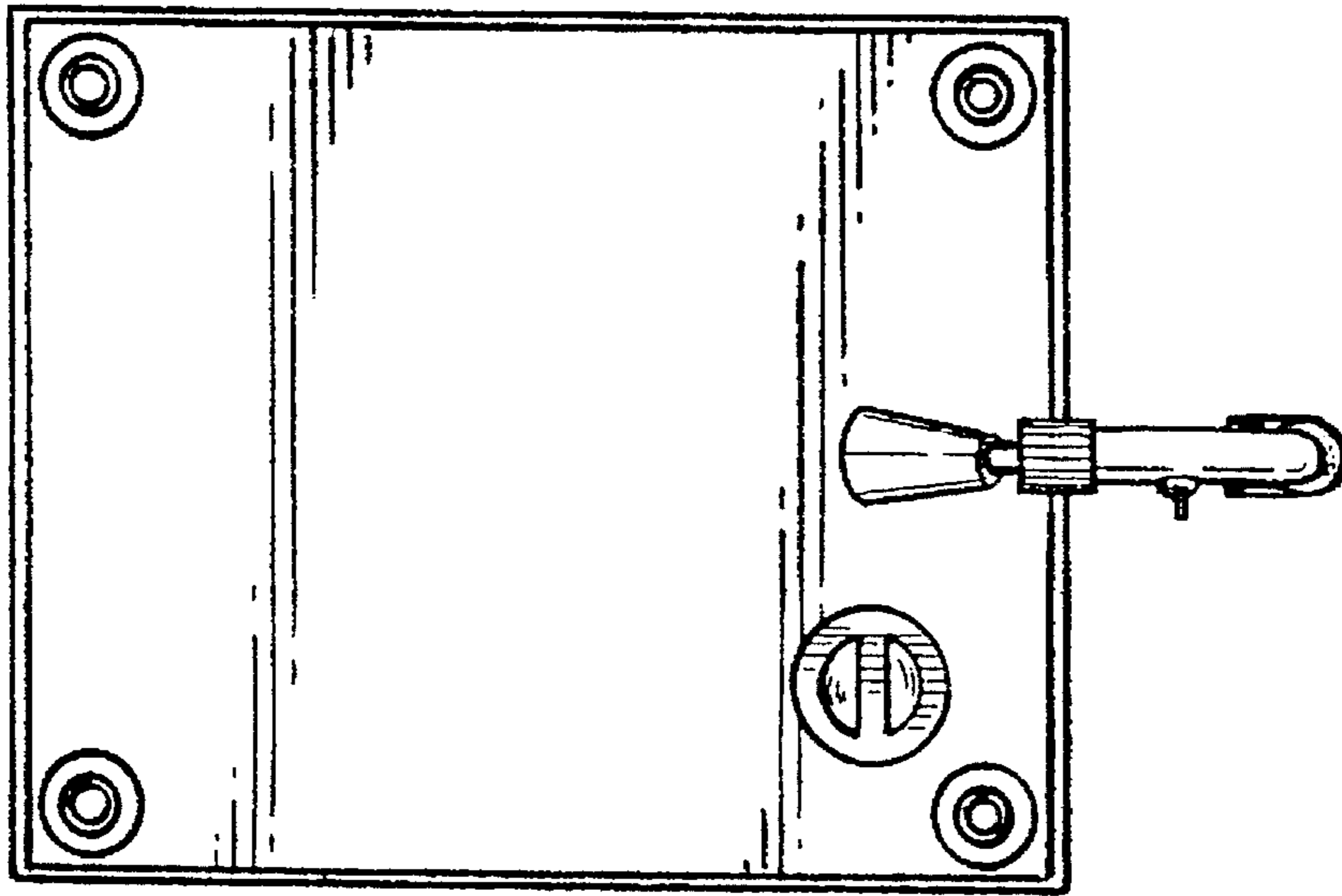


FIG. 6

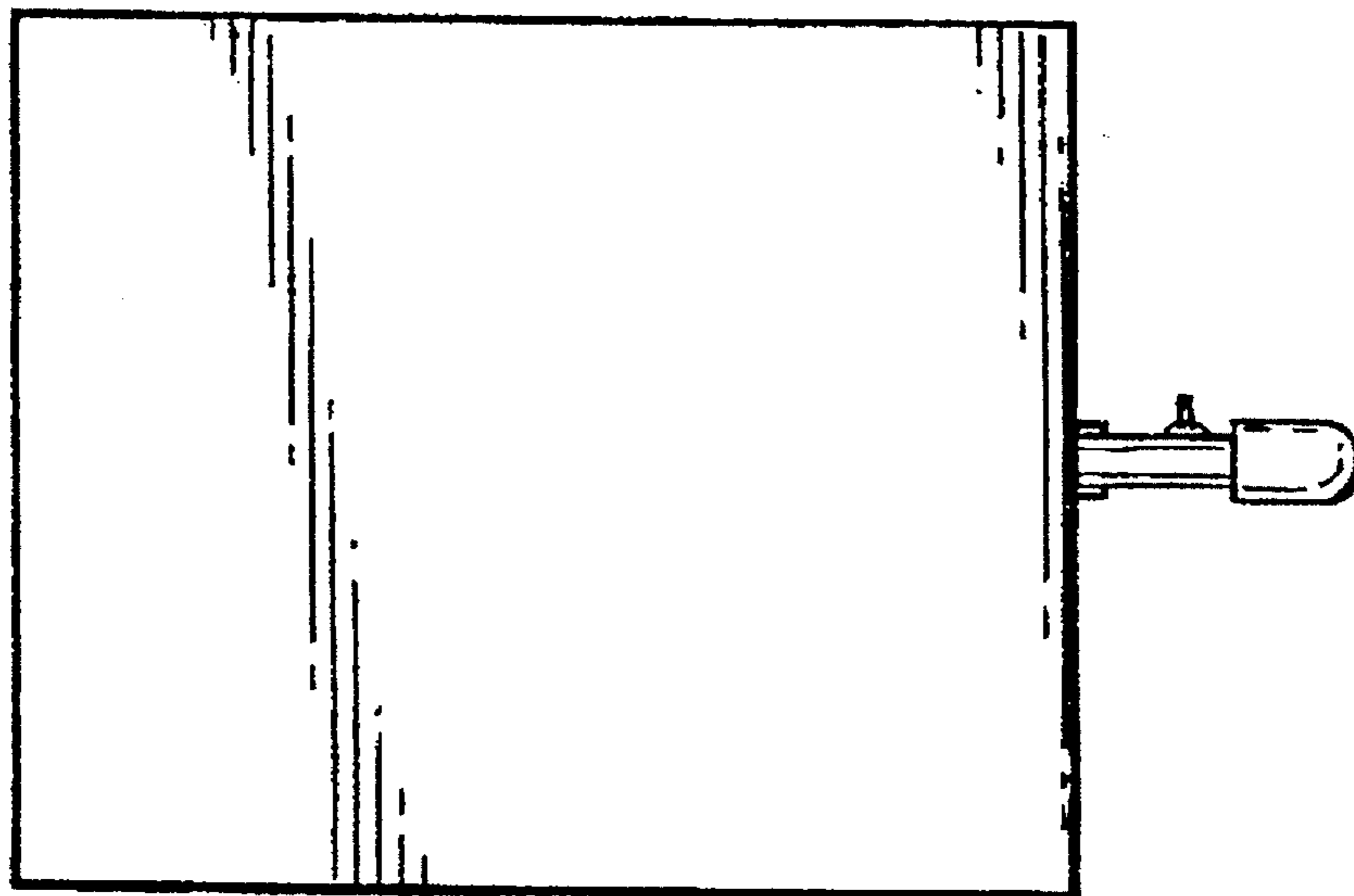


FIG. 7