



US00D370525S

# United States Patent [19]

[11] Patent Number: **Des. 370,525**

**Doughty et al.**

[45] Date of Patent: **\*\*\* Jun. 4, 1996**

## [54] FAUCET BODY

[75] Inventors: **Frederic C. Doughty**, S. Pasadena;  
**Darren M. Mark**, Castaic, both of Calif.

[73] Assignee: **Emhart Inc.**, Newark, Del.

[\*] Notice: The portion of the term of this patent subsequent to Apr. 23, 2010, has been disclaimed.

[\*\*] Term: **14 Years**

[21] Appl. No.: **31,233**

[22] Filed: **Nov. 15, 1994**

[52] U.S. Cl. .... **D23/238**

[58] Field of Search ..... D23/238-243,  
D23/255-257; 4/625-678; 137/801

## [56] References Cited

### U.S. PATENT DOCUMENTS

D. 193,922	12/1962	Ross et al. .	
D. 204,441	4/1966	Harvey et al. .	
D. 219,780	1/1971	Niemann .....	D23/238
D. 229,495	12/1973	Landell .	
D. 258,518	3/1981	Thevenot .	
D. 289,318	4/1987	Yost .	
D. 310,257	8/1990	Spangler .	
D. 323,877	2/1992	Haug et al. .	
D. 325,423	4/1992	Kolada et al. .	
D. 329,685	9/1992	Brattoli et al. .	
D. 346,852	5/1994	Hill .....	D23/241
D. 348,508	7/1994	Yost .	
D. 348,923	7/1994	Yost .....	D23/238
D. 349,153	7/1994	Sauter et al. ....	D23/238
3,965,936	6/1976	Lyon .	
4,552,171	11/1985	Farrell et al. .	

## OTHER PUBLICATIONS

Domestic Engineering, Jul., 1966, Speakman Company.  
 Domestic Engineering, Jul. 1964, p. 50 Delta Model 502.  
 Sweet's Catalog, 1977, Elkay Model LK-2212.  
 Elkay Parts List, Apr., 1982, Cat. No. LK-4415.  
 Pice Pfister Parts Cat., Dec. 1, 1975, Flow-Matic 961-130.  
 Kohler Design Data, Apr., 1988, Model K-15181.  
 Domestic Engineering, May, 1982, Bradley Metering Faucet.  
 Bradley Catalog, 1982, 90-75 Metering Faucet.  
 Domestic Engineering, Nov., 1971, Gerber Lav Faucet.  
 Eljer Catalog, Apr., 1986, Model 557-1000.  
 Waltec Industries Ltd., Jan. 2, 1979, Model 22W142.

*Primary Examiner*—Louis S. Zarfes  
*Assistant Examiner*—Eric Watterson  
*Attorney, Agent, or Firm*—J. Bruce Hoofnagle

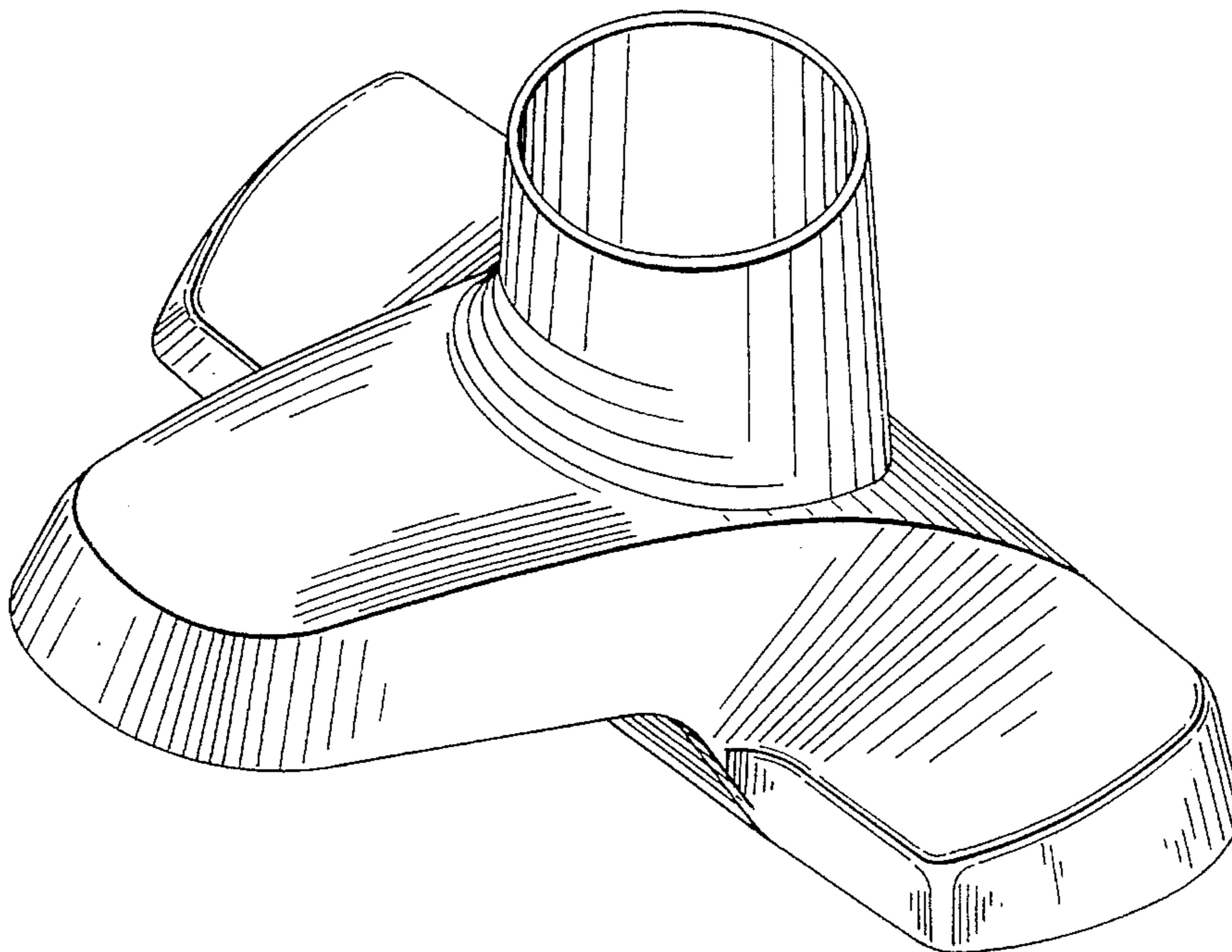
## [57] CLAIM

The ornamental design for faucet body, as shown and described.

## DESCRIPTION

FIG. 1 is a left side view of our new design of a faucet body, a right side view of our new design being a mirror image of the left side view thereof;  
 FIG. 2 is a top view of our new design of the faucet body;  
 FIG. 3 is a bottom view of our new design of the faucet body;  
 FIG. 4 is a rear view of our new design of the faucet body;  
 FIG. 5 is a front view of our new design of the faucet body;  
 and,  
 FIG. 6 is a perspective view of our new design of the faucet body.

**1 Claim, 3 Drawing Sheets**



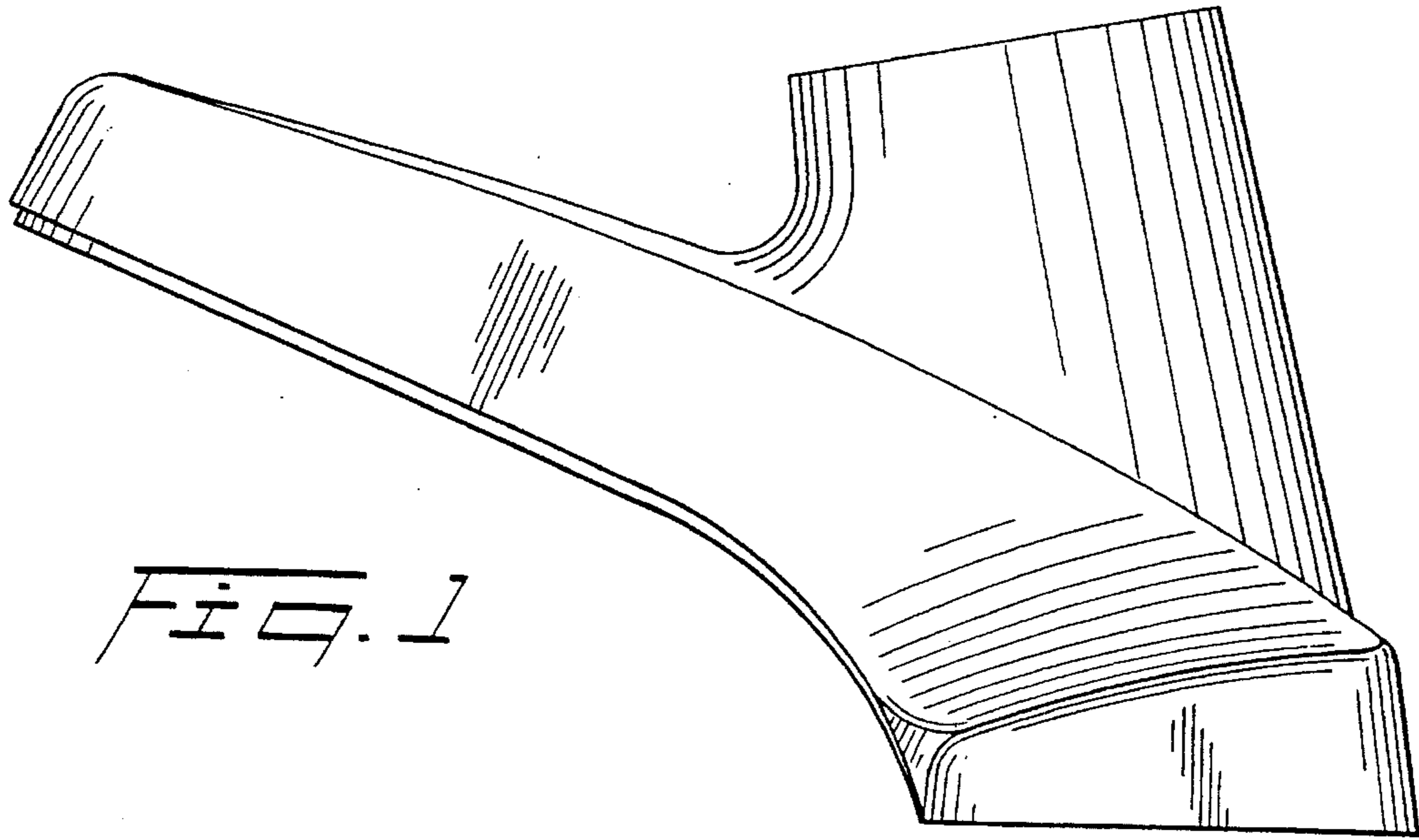


FIG. 1

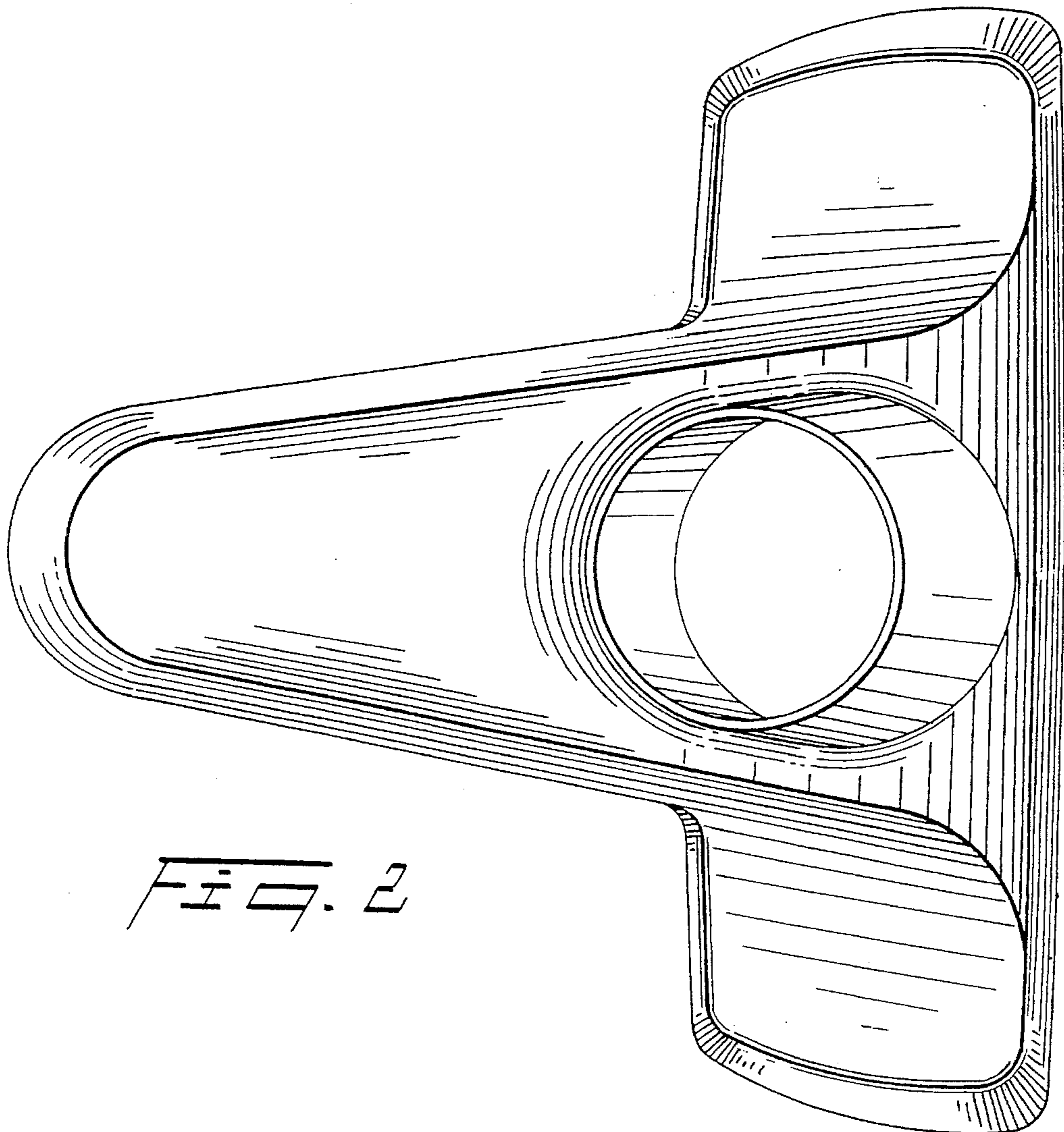
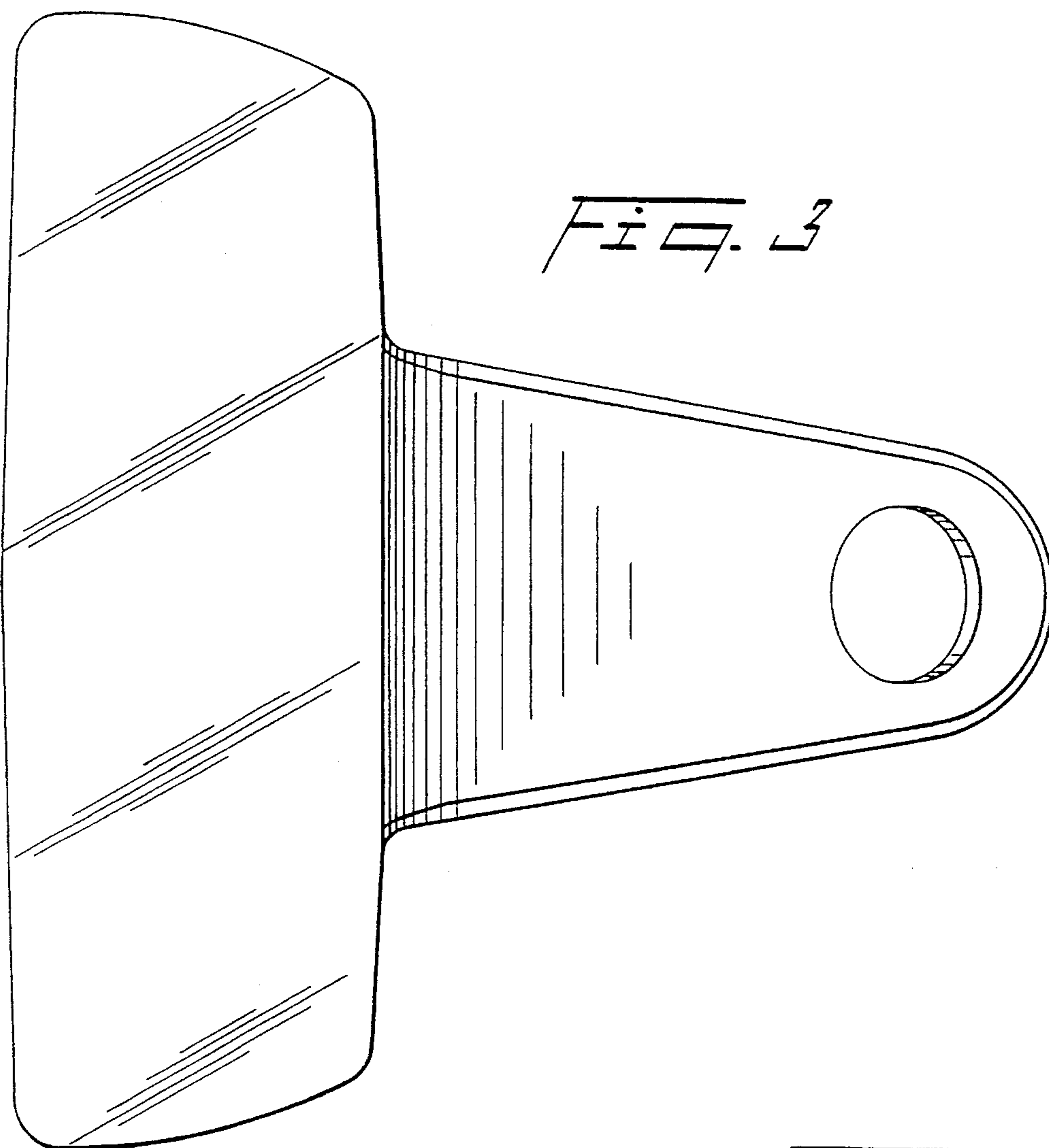
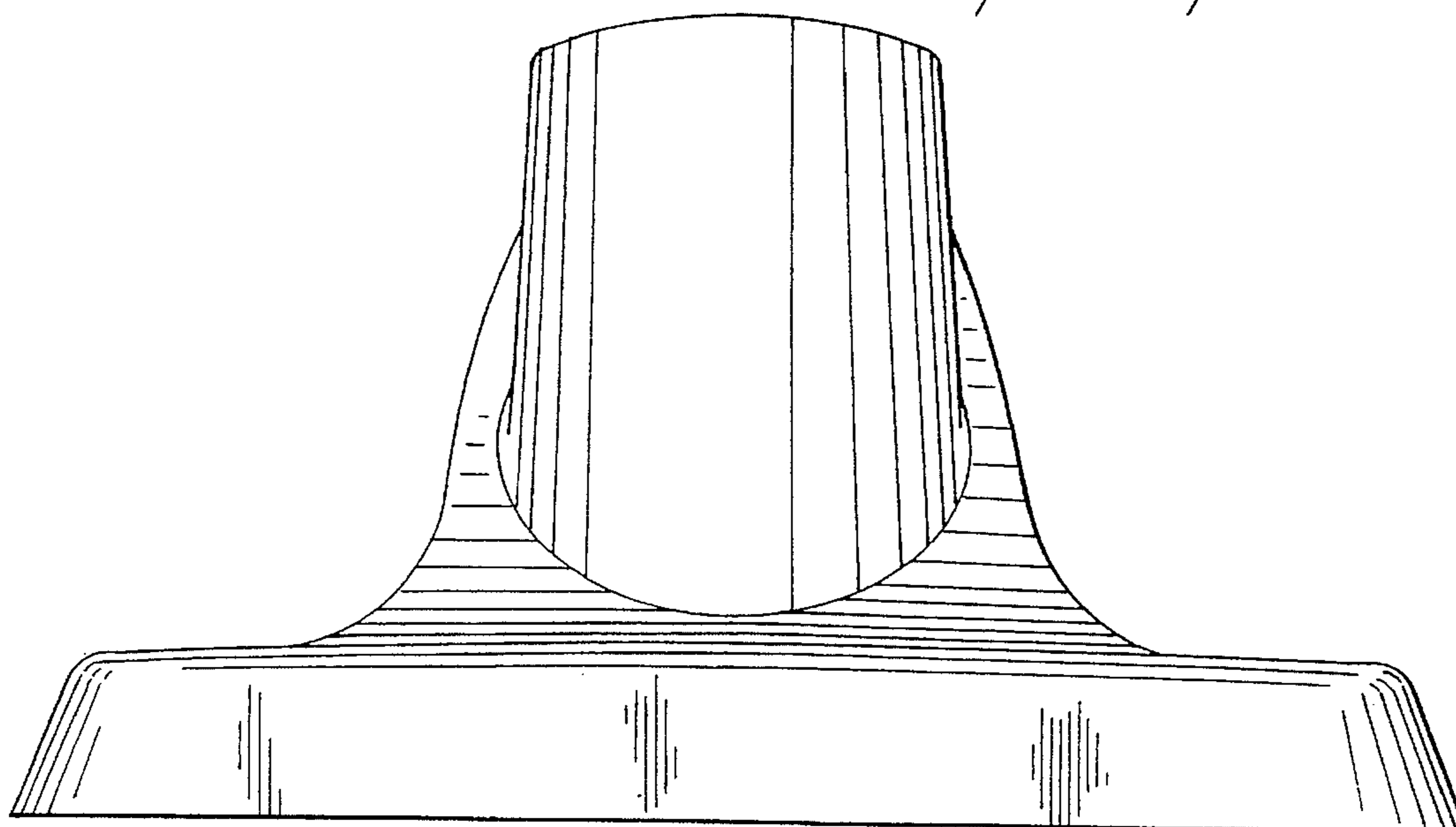


FIG. 2

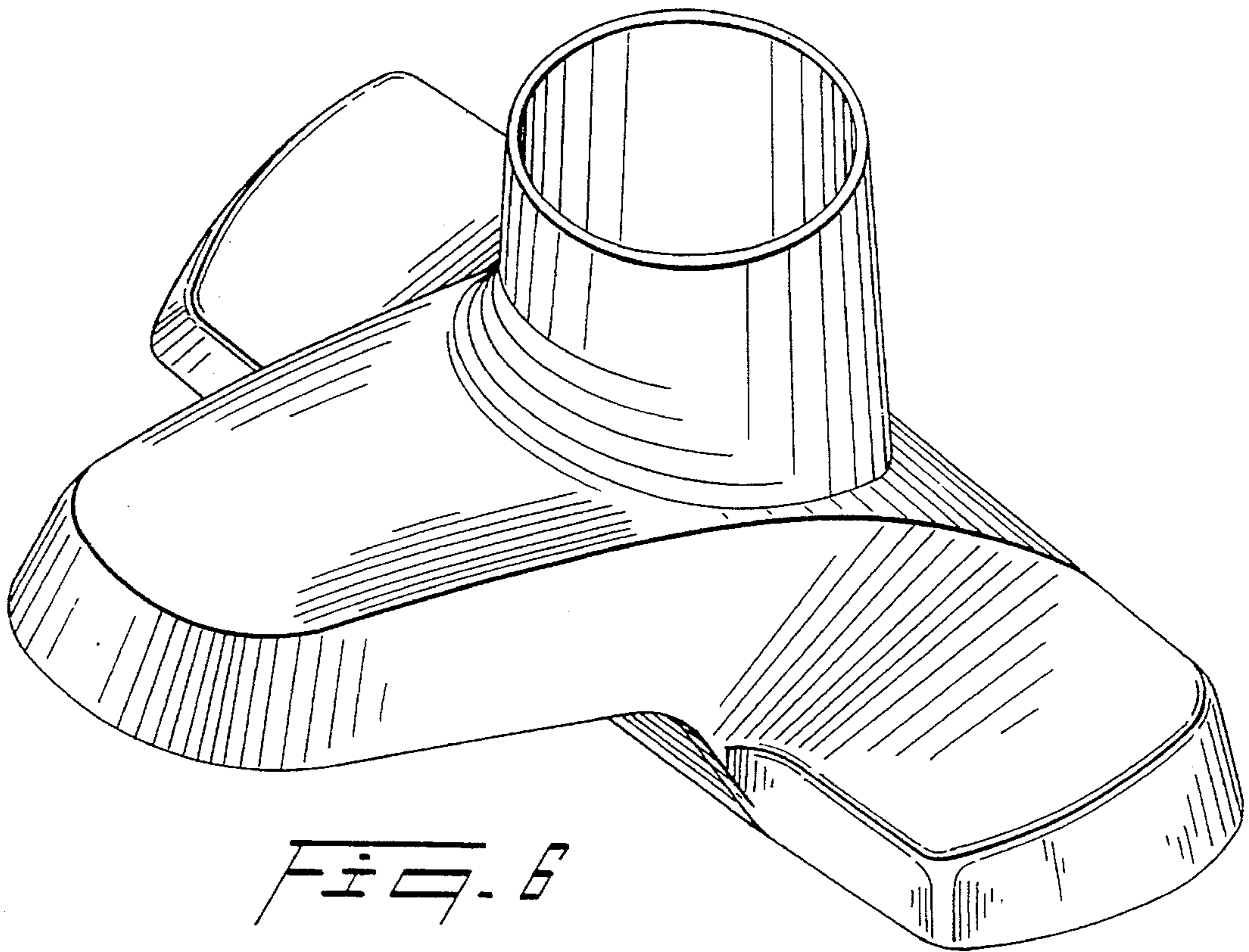
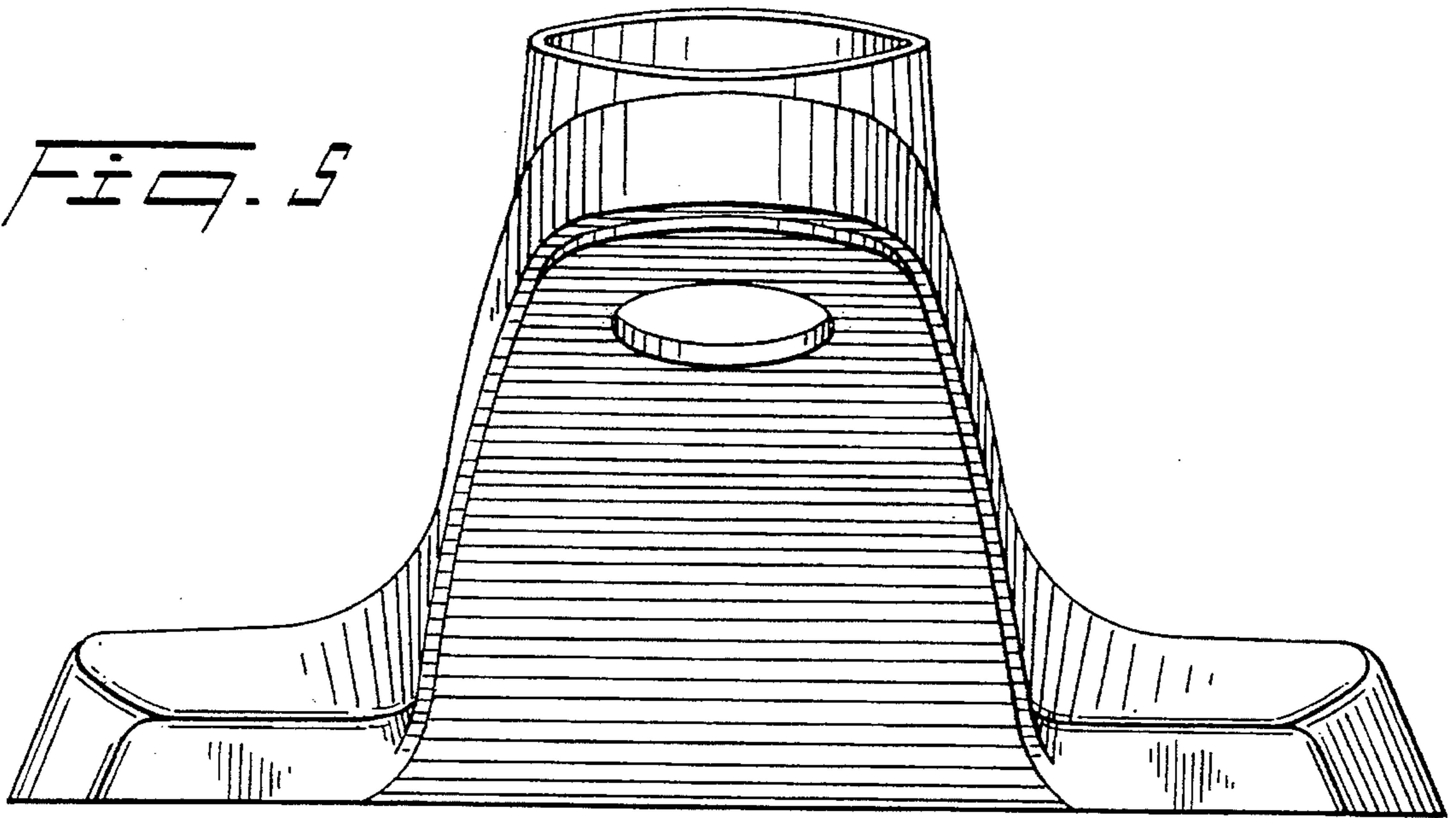


*Fig. 3*



*Fig. 4*

*Fig. 5*



*Fig. 6*