



US00D370523S

United States Patent [19]

Stierman

[11] Patent Number: **Des. 370,523**

[45] Date of Patent: ****Jun. 4, 1996**

[54] SOAP DISPENSING SHOWER HEAD

[76] Inventor: **Dale W. Stierman**, 1366 Southern Ave.,
Dubuque, Iowa 52003

[**] Term: **14 Years**

[21] Appl. No.: **35,834**

[22] Filed: **Mar. 7, 1995**

[52] U.S. Cl. **D23/213**

[58] Field of Search D23/213-214,
D23/228-230; 239/230-233, 222.13, 222.21,
225.1, 380-3, 390-1, 310, 315, 317, 302;
137/268; 4/596-7

[56] **References Cited**

U.S. PATENT DOCUMENTS

D. 316,136	4/1991	Underwood	D23/228
D. 326,896	6/1992	McNeely	D23/213
2,058,901	10/1936	McPherson	D23/228
2,201,528	5/1940	Freng .	
3,720,352	3/1973	Kozlowski .	

4,222,524	9/1980	Garcia	239/315
5,070,553	12/1991	Chambers	237/391
5,274,858	1/1994	Berry .	

Primary Examiner—A. Hugo Word
Assistant Examiner—Robin V. Taylor
Attorney, Agent, or Firm—Dennis H. Lambert

[57] **CLAIM**

The ornamental design for a soap dispensing shower head, as shown and described.

DESCRIPTION

FIG. 1 is a front, top and side perspective view of the soap dispensing shower head embodying the design of the present invention;

FIG. 2 is a front elevational view thereof;

FIG. 3 is a rear elevational view thereof;

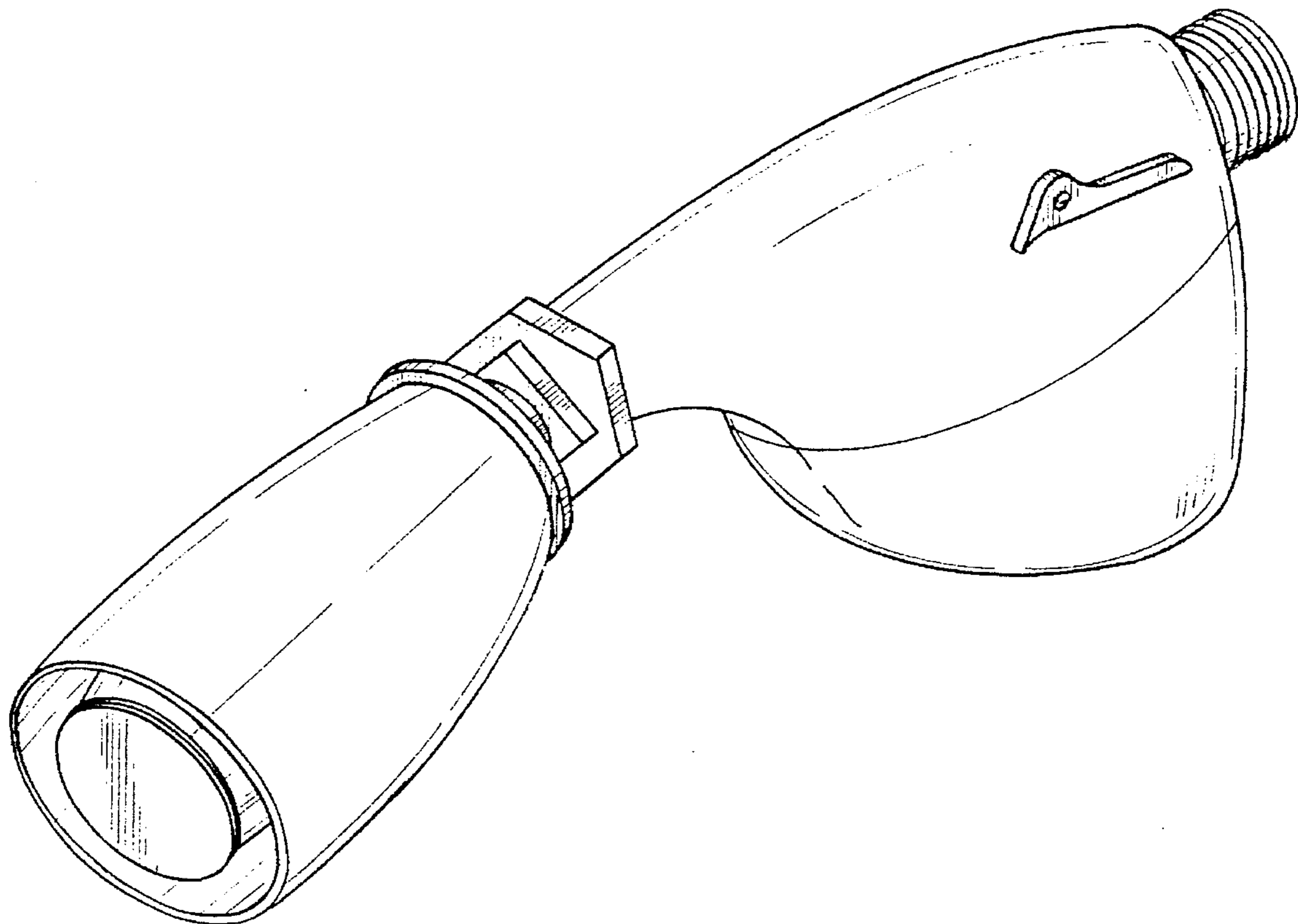
FIG. 4 is a left side elevational view thereof;

FIG. 5 is a right side elevational view thereof;

FIG. 6 is a top plan view thereof; and,

FIG. 7 is a bottom plan view thereof.

1 Claim, 4 Drawing Sheets



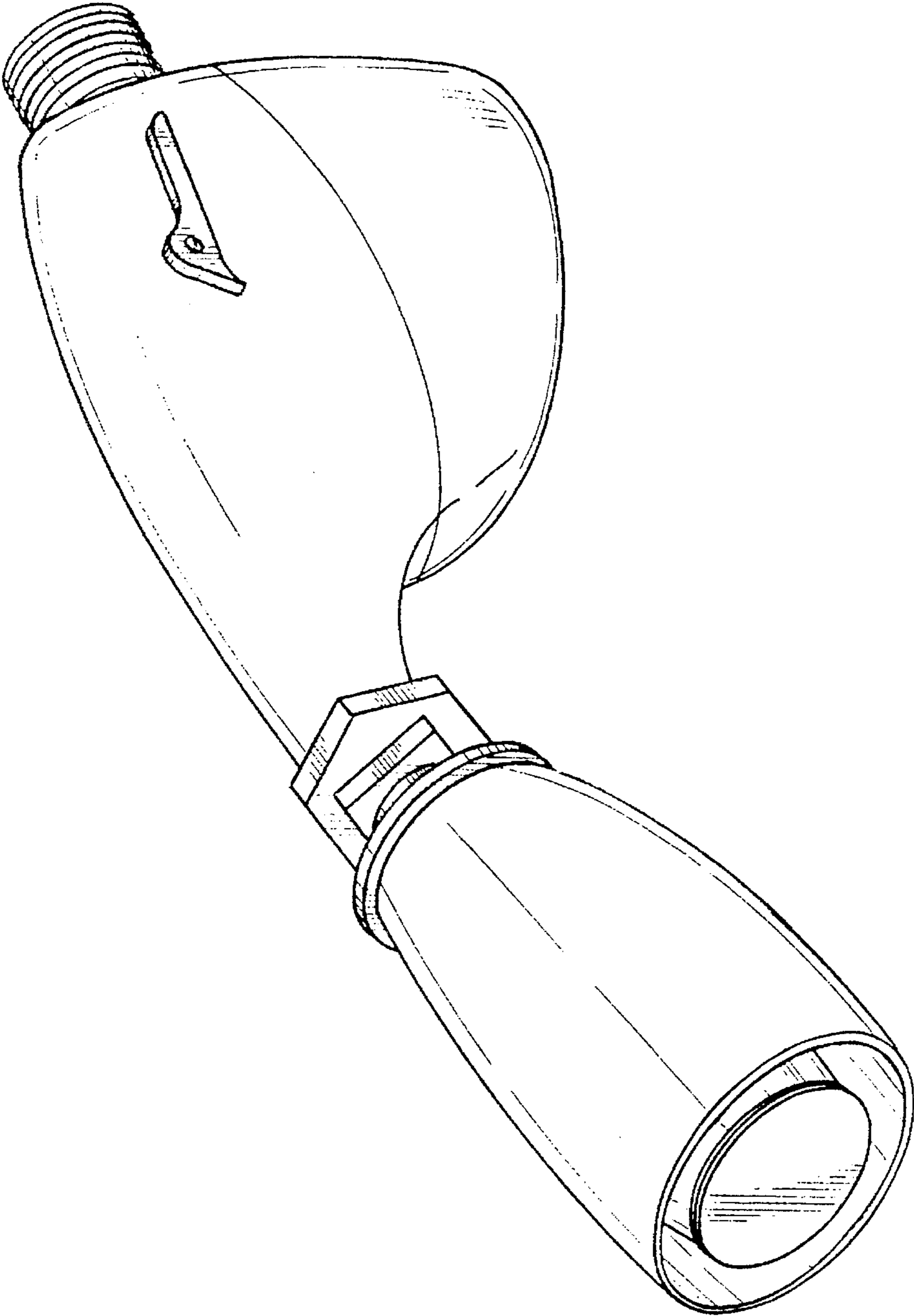


FIG. 1

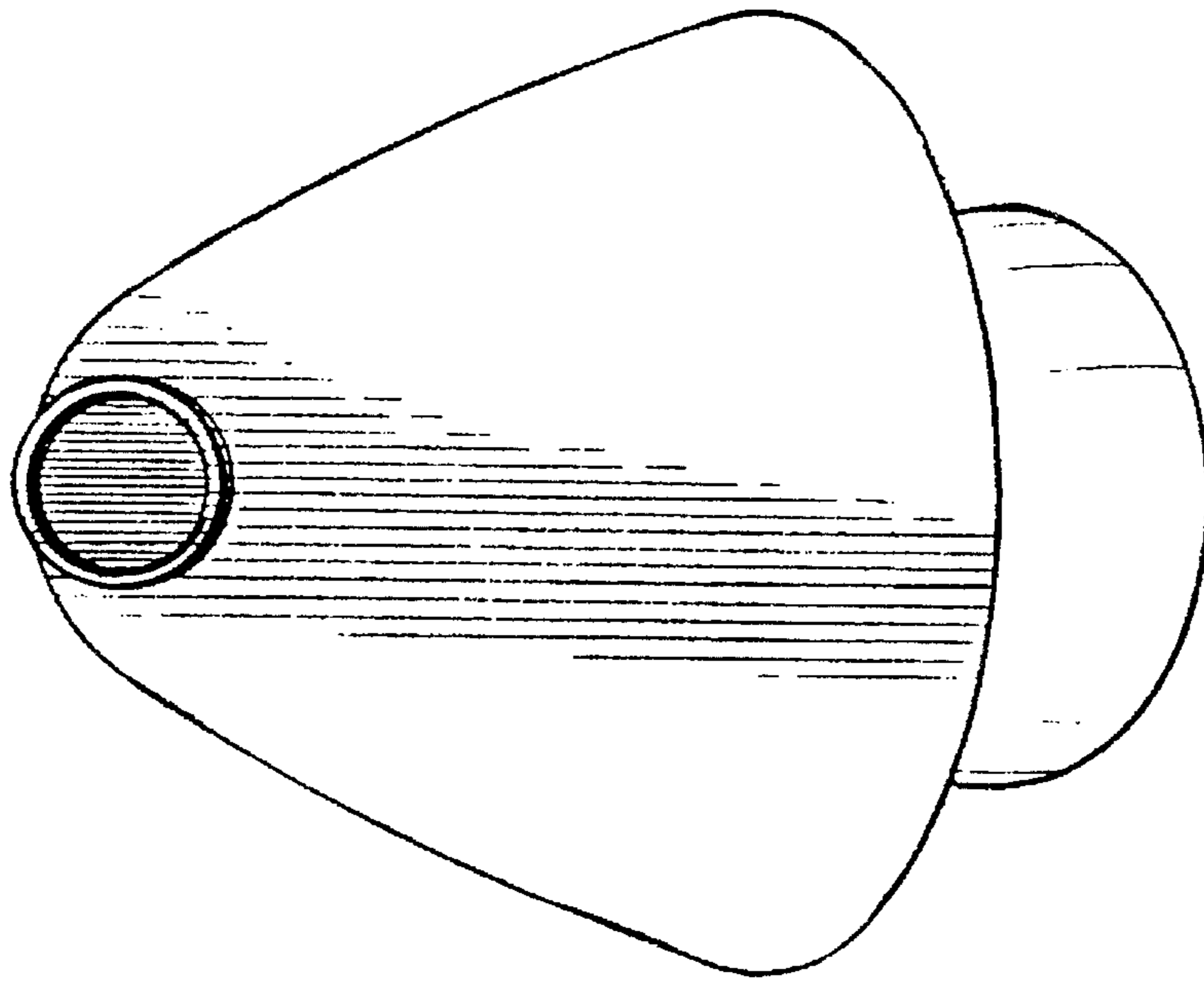


FIG. 3

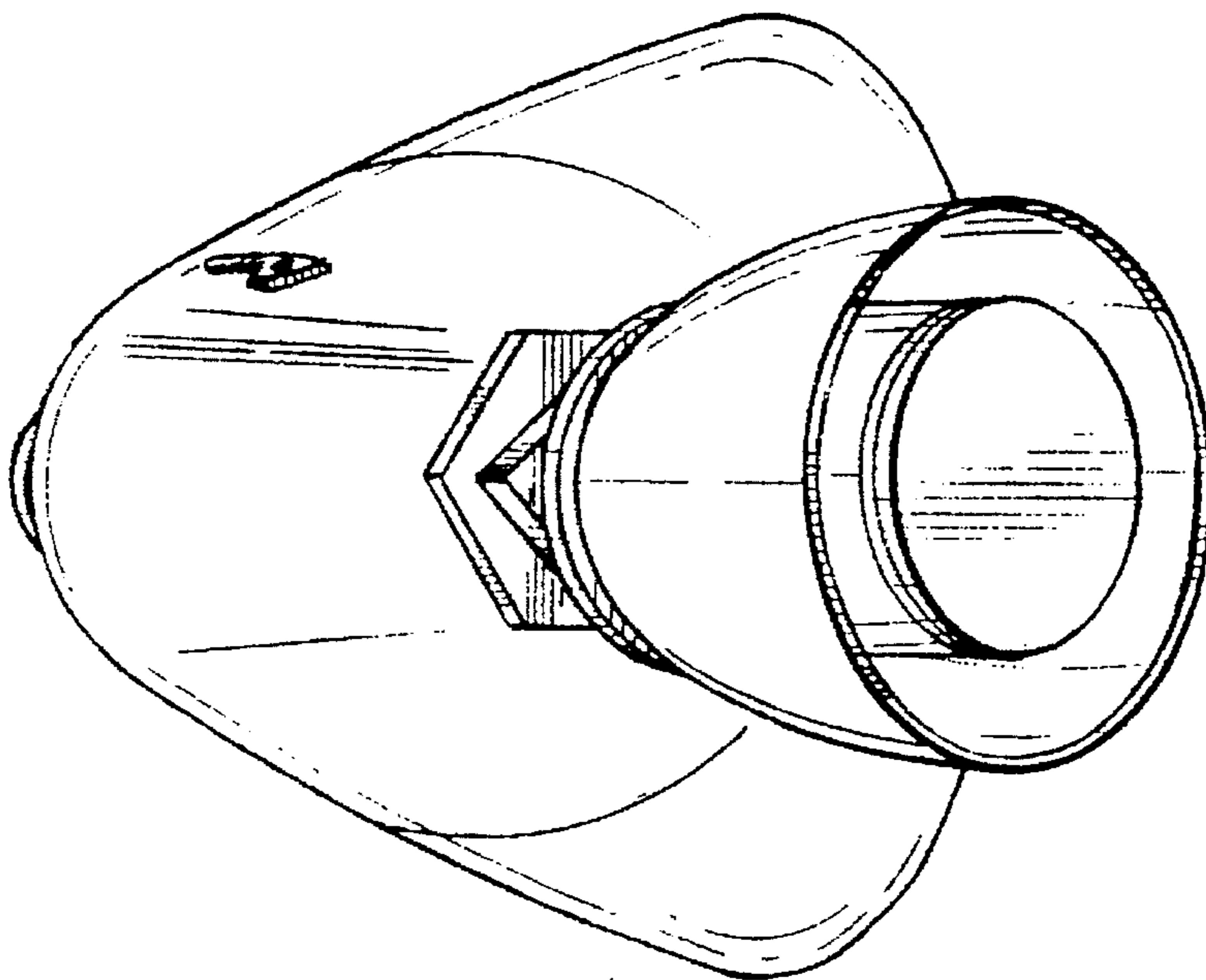


FIG. 2

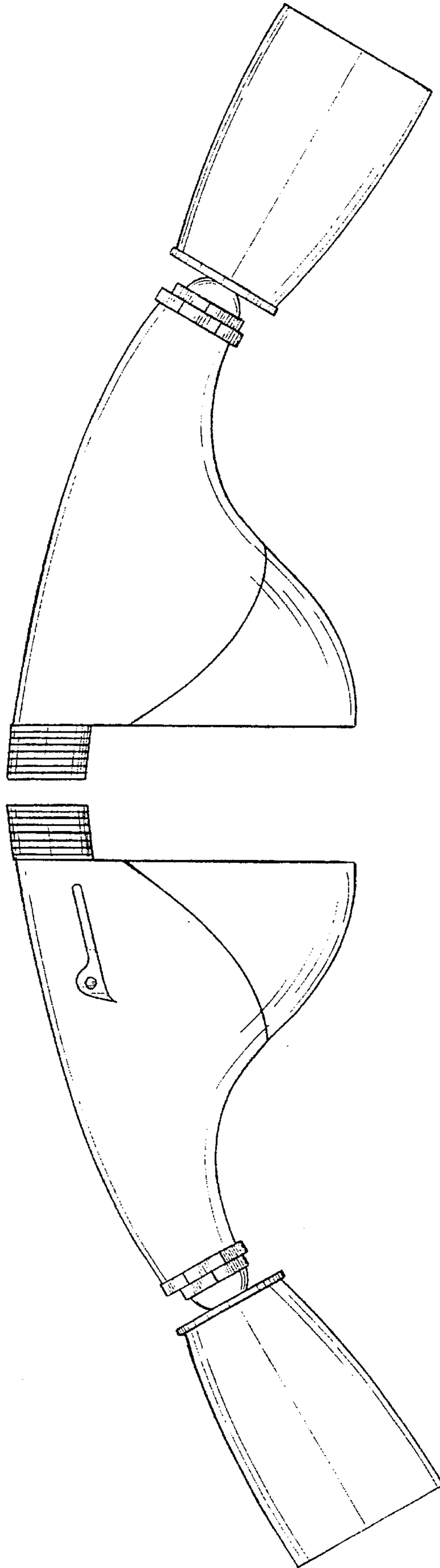


FIG. 5

FIG. 4

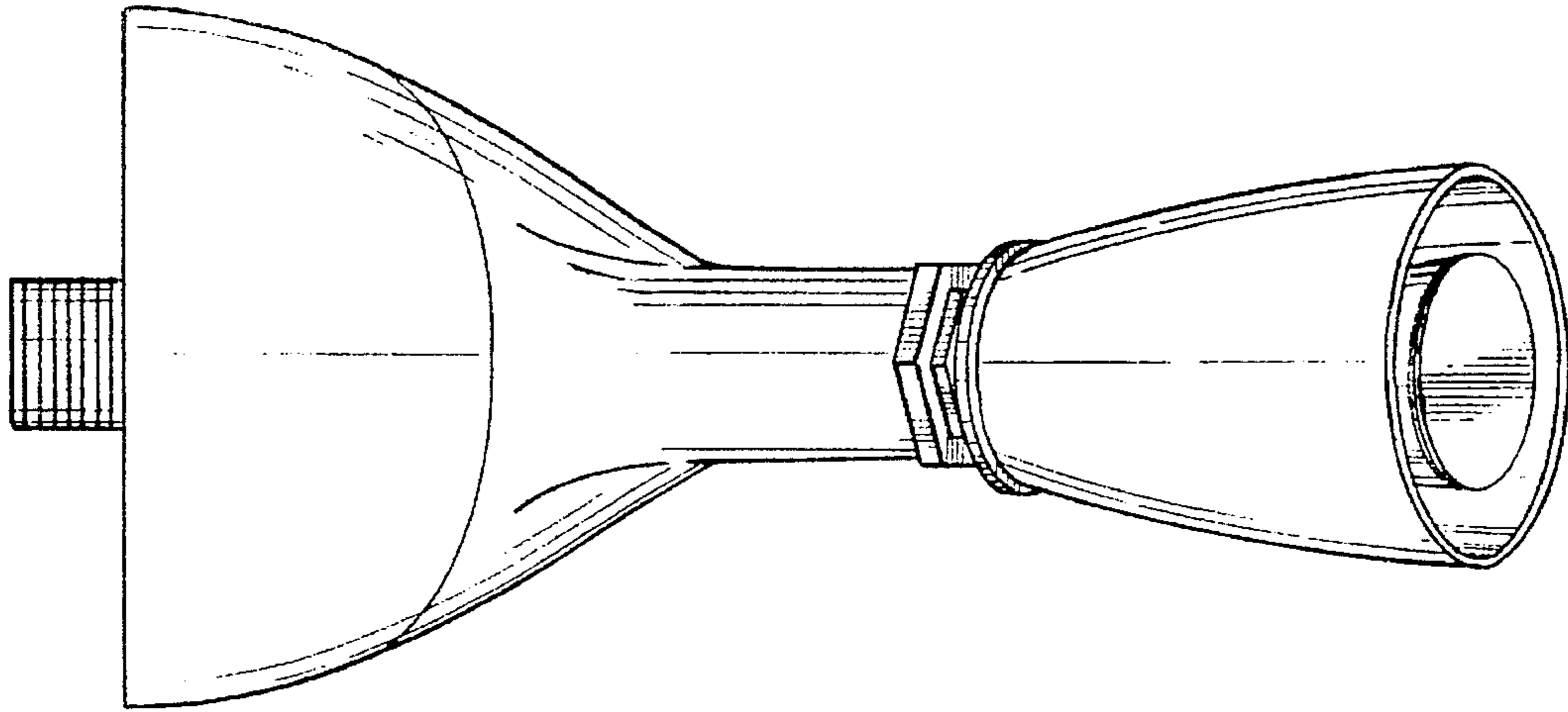


FIG. 7

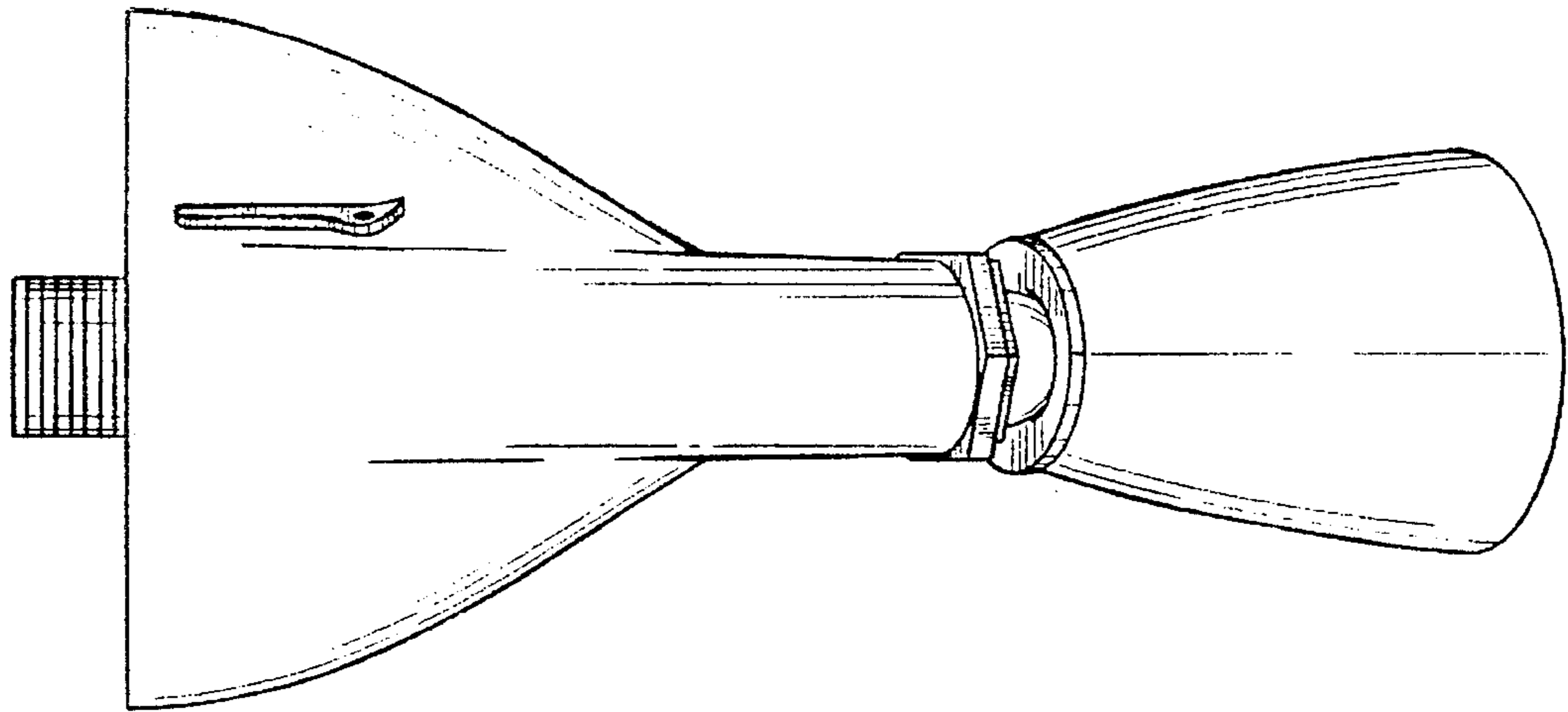


FIG. 6