



US00D370521S

United States Patent [19]

Archer et al.

[11] Patent Number: **Des. 370,521**

[45] Date of Patent: ****Jun. 4, 1996**

[54] **WATER PURIFIER**

[75] Inventors: **David D. Archer**, Wakefield; **Francis M. Lubrano**, Narragansett; **David A. Snow**, Barrington; **Marc S. Harrison**, Portsmouth, all of R.I.

[73] Assignee: **Fountainhead Technologies**, Providence, R.I.

[**] Term: **14 Years**

[21] Appl. No.: **36,100**

[22] Filed: **Mar. 13, 1995**

[52] U.S. Cl. **D23/207**

[58] **Field of Search** D23/207, 208, D23/209, 210; 210/153, 162, 163, 172, 190-191, 198.1, 198.3, 244-246, 257.1, 446, 448, 460, 282, 130, 348, 266, 449

[56] **References Cited**

U.S. PATENT DOCUMENTS

D. 221,850	9/1971	Anderson	D23/209
D. 273,695	5/1984	Johnson et al.	D23/207
D. 291,112	7/1987	Clivio et al.	D23/207
D. 354,331	1/1995	Bunke	D23/207

2,623,607	12/1952	Bottum et al.	210/435 X
3,027,009	3/1962	Prince	210/438 X
3,357,897	12/1967	Salzer	202/83 X
4,504,387	3/1985	Lemire et al.	210/101
4,662,387	5/1987	King, Sr.	137/268
4,935,116	6/1990	Lemire	204/237
5,174,892	12/1992	Davis	210/257.1 X

Primary Examiner—A. Hugo Word
Assistant Examiner—Cynthia E. Ramirez
Attorney, Agent, or Firm—Fish & Richardson

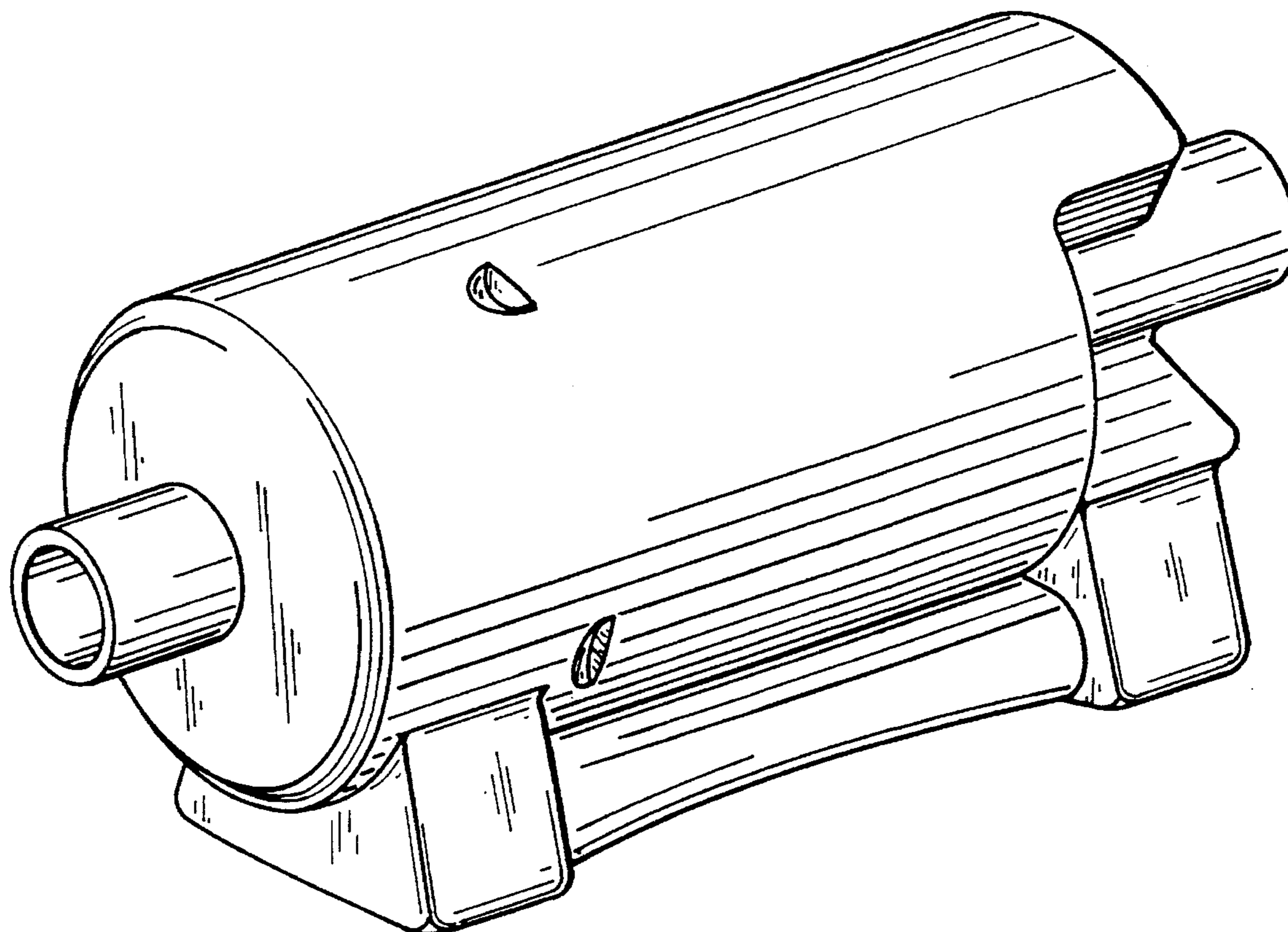
[57] **CLAIM**

The ornamental design for a water purifier, as shown and described.

DESCRIPTION

FIG. 1 is a perspective view of a water purifier showing our new design;
FIG. 2 is a front elevation view thereof;
FIG. 3 is a rear elevation view thereof;
FIG. 4 is an end view of one end thereof;
FIG. 5 is an end view thereof, opposite that shown in FIG. 4;
FIG. 6 is a top plan view thereof; and,
FIG. 7 is a bottom plan view thereof.

1 Claim, 3 Drawing Sheets



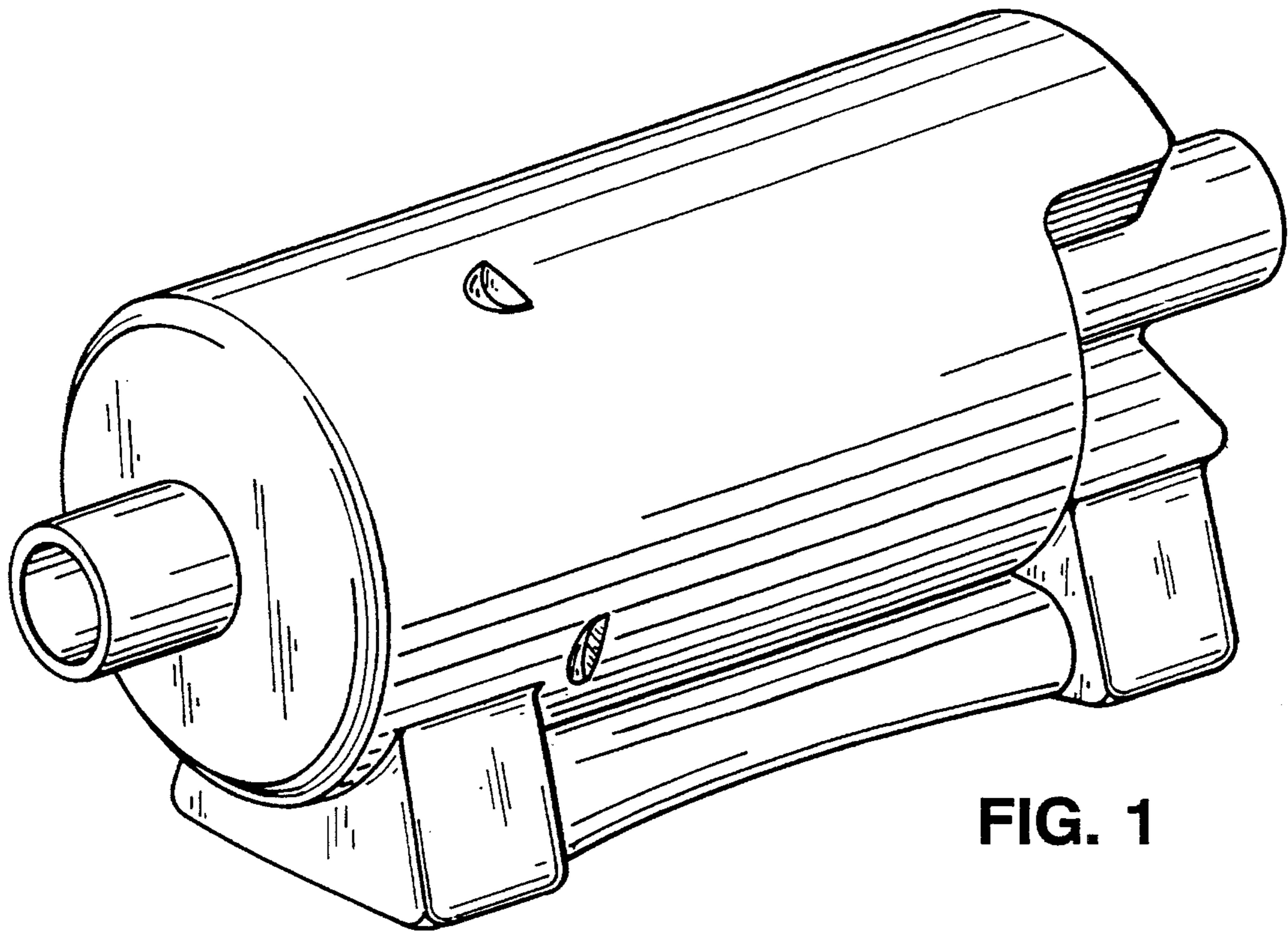


FIG. 1

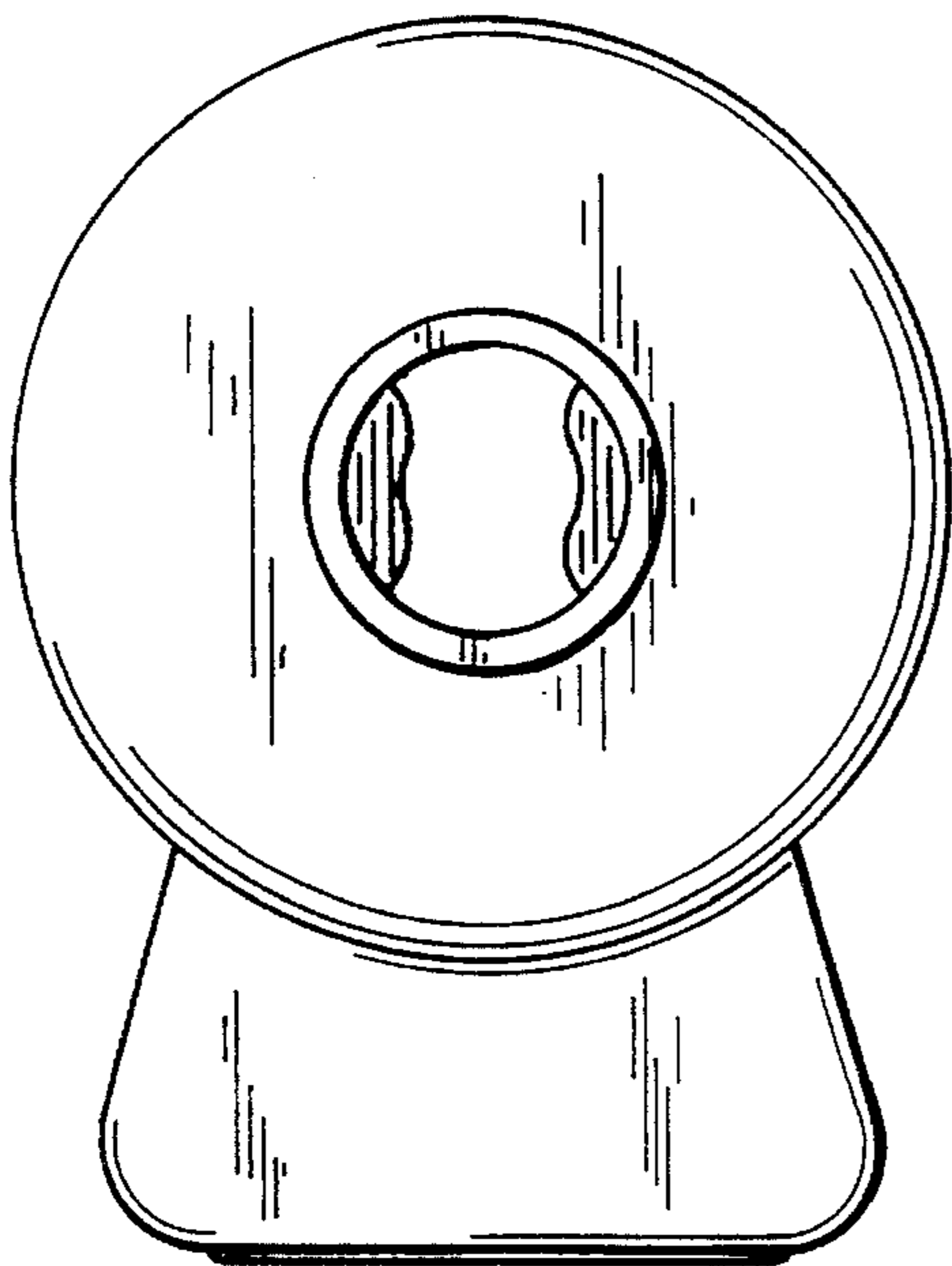


FIG. 4

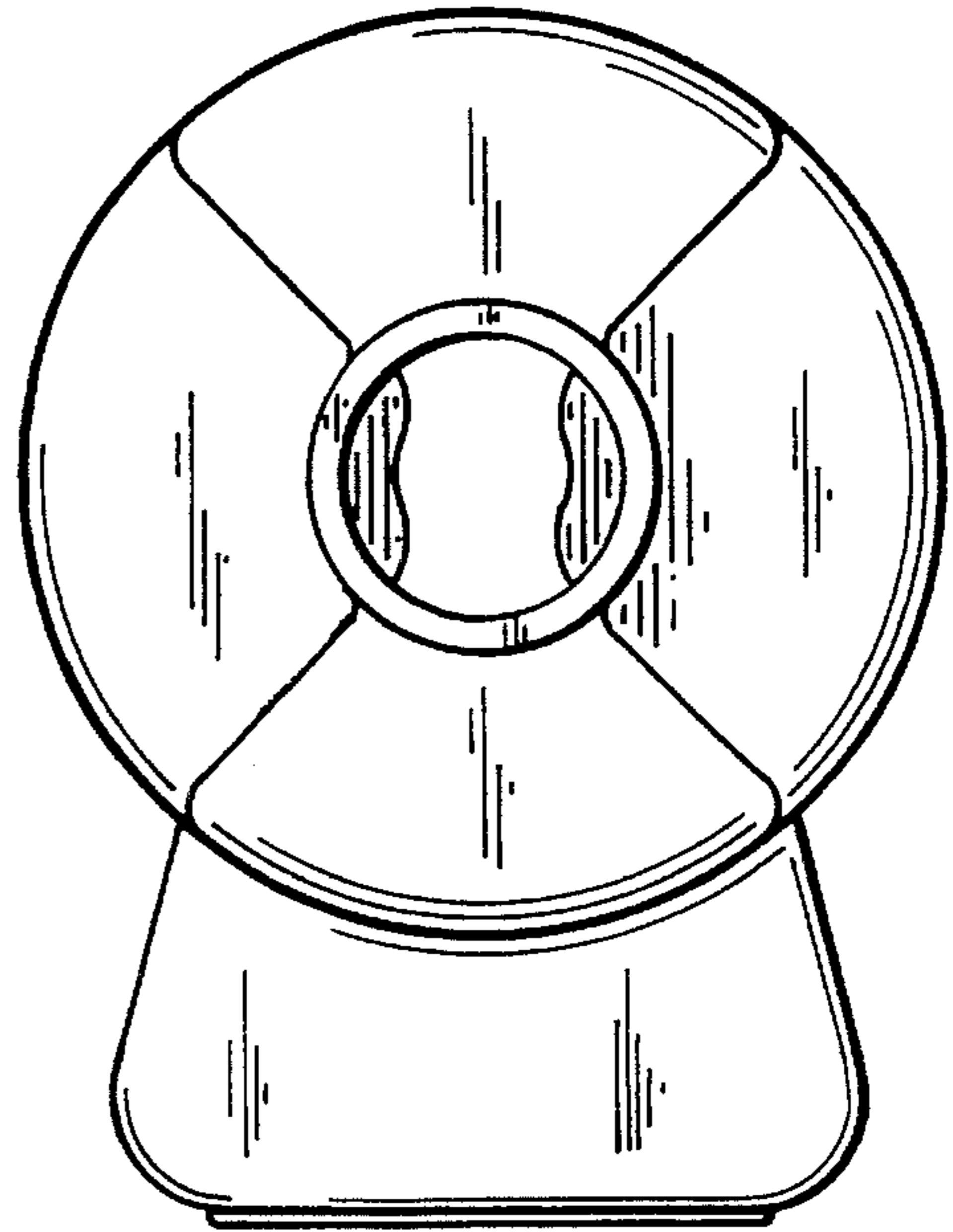


FIG. 5

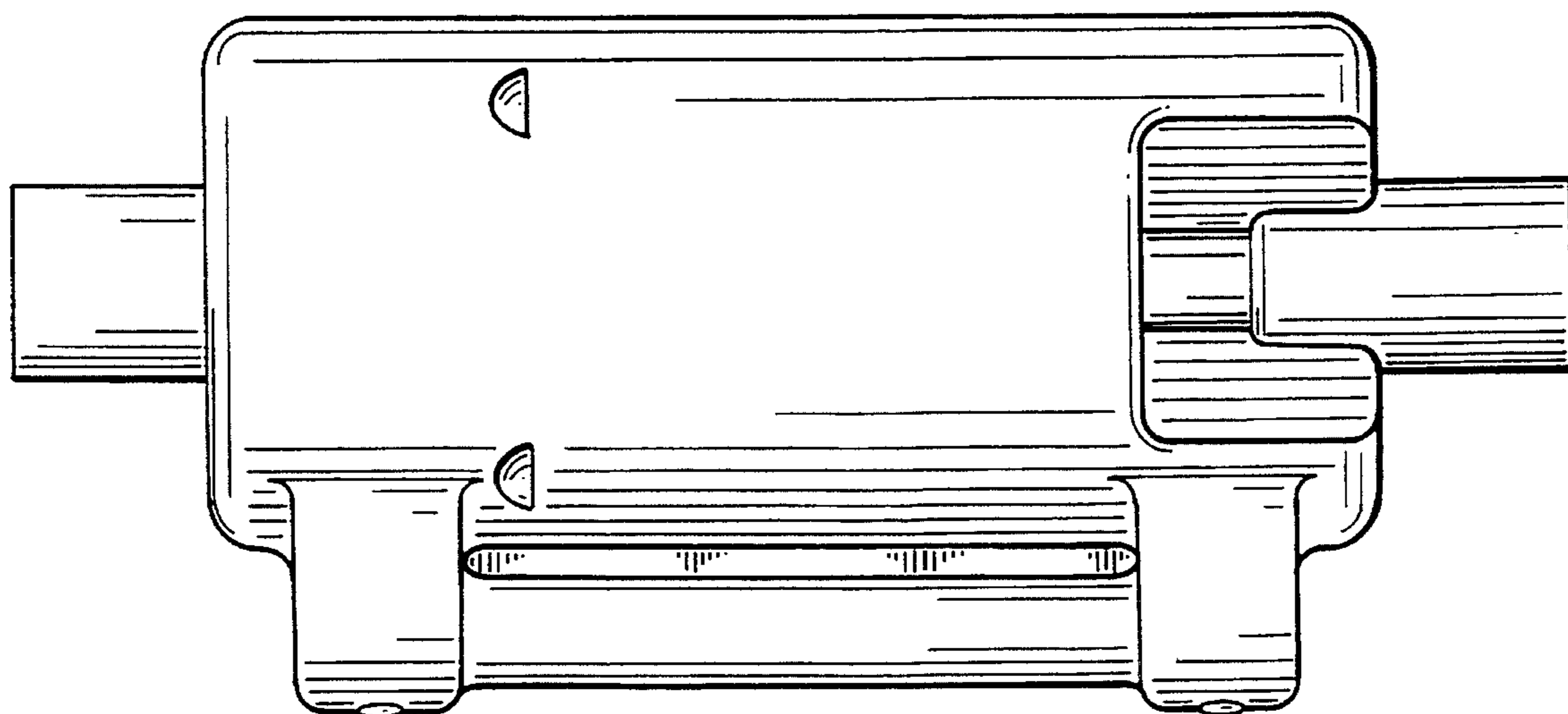


FIG. 2

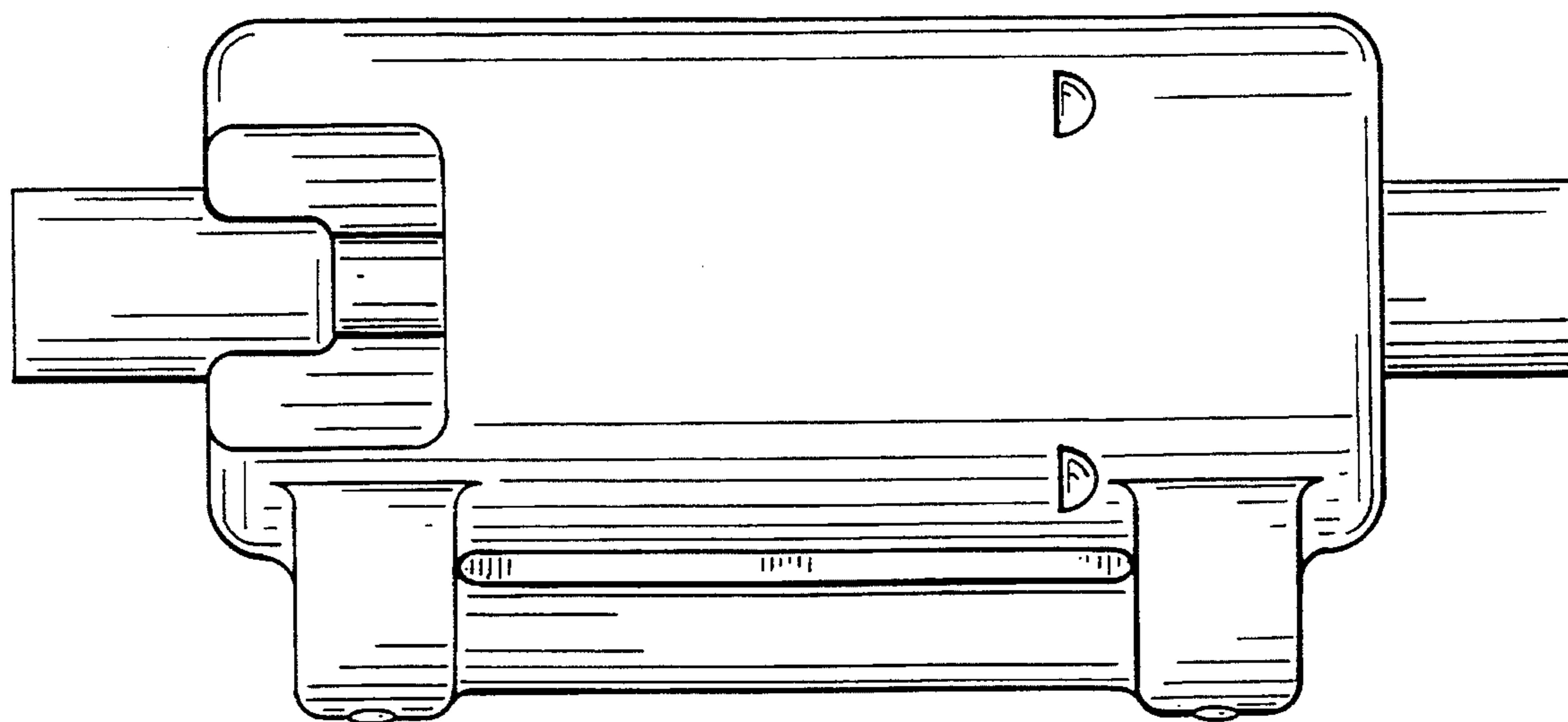


FIG. 3

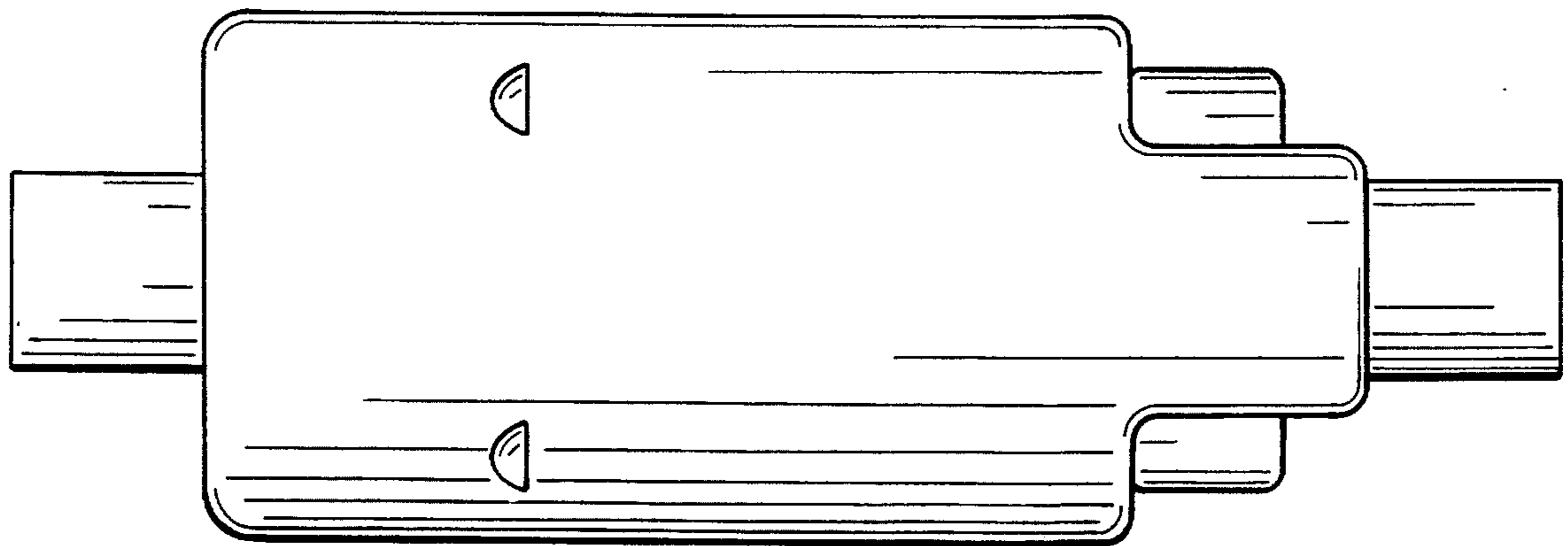


FIG. 6

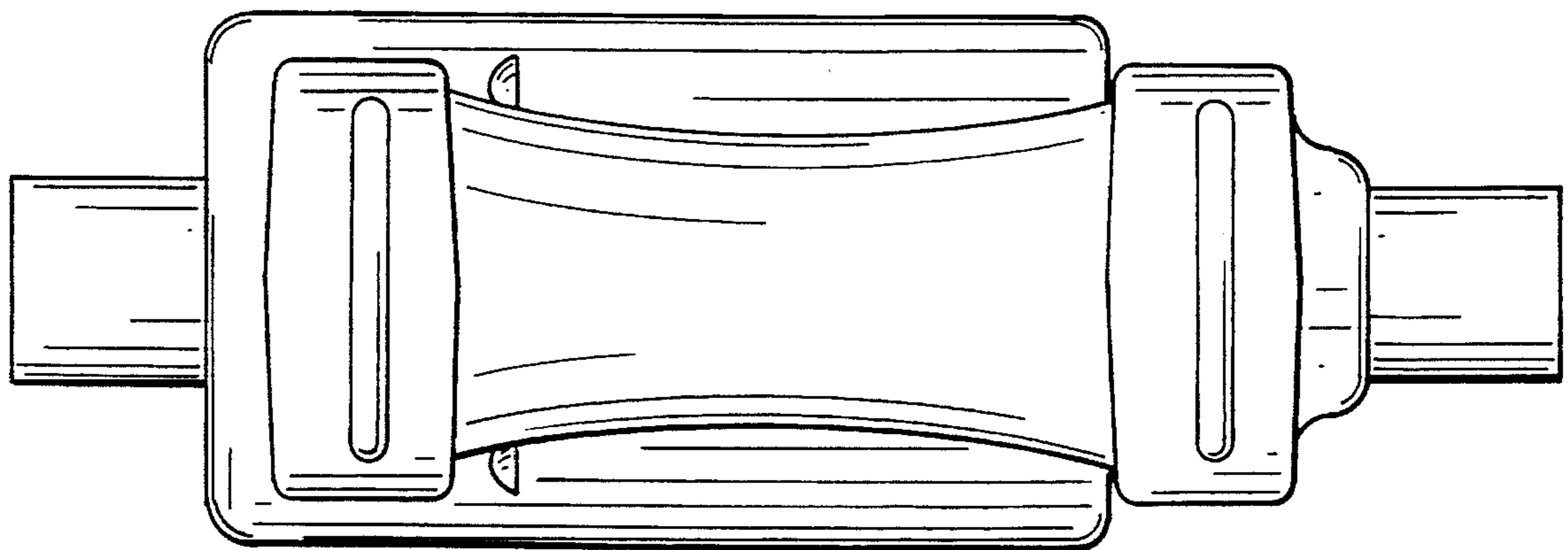


FIG. 7