



US00D370519S

United States Patent [19] Kug

[11] **Patent Number:** **Des. 370,519**
[45] **Date of Patent:** ****Jun. 4, 1996**

[54] **FISHLINE GUIDE TUBE FOR AN INTERNAL FISHLINE TYPE FINISHING ROD**

[75] Inventor: **Park B. Kug**, Pusan, Rep. of Korea

[73] Assignee: **Silver Star Co., Ltd.**, Pusan, Rep. of Korea

[**] Term: **14 Years**

[21] Appl. No.: **23,719**

[22] Filed: **May 31, 1994**

[52] U.S. Cl. **D22/142**

[58] Field of Search **D22/142; 43/18.1, 43/20, 22, 23, 24**

[56] **References Cited**

U.S. PATENT DOCUMENTS

1,595,275	8/1926	White	43/26
2,282,618	5/1942	Stewart	43/24
2,324,429	7/1943	Rondelli	43/18.1
2,334,646	11/1943	Price	43/18.1
2,578,663	12/1951	Beaupre	43/18.1
2,776,516	1/1957	Jeannette	43/24
3,102,358	9/1963	Steinle	43/22
3,279,116	10/1966	Chapman	43/23

3,727,338	4/1973	Pedersen	43/18.1
3,862,509	1/1975	Petersen, Jr.	43/18.1
4,212,126	7/1980	Barnett	43/24
5,159,776	11/1992	Horton et al.	43/24
5,299,377	4/1994	Akiba	43/18.1 X

Primary Examiner—Doris V. Coles
Attorney, Agent, or Firm—Richard T. Holzmann

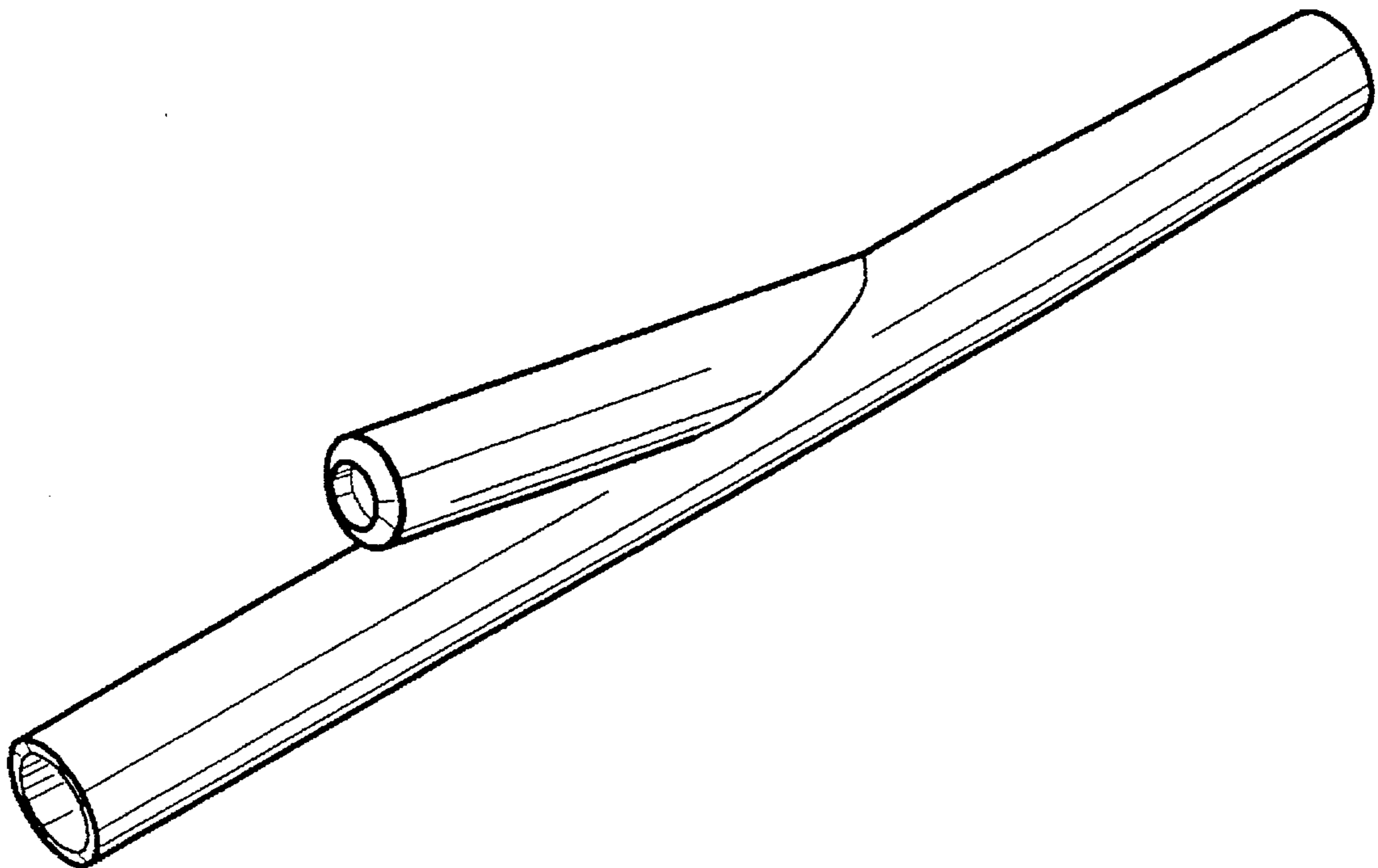
[57] **CLAIM**

The ornamental design for a fishline guide tube for an internal fishline type fishing rod, as shown.

DESCRIPTION

FIG. 1 is a perspective view as seen from the left-hand side of the fishline guide tube for an internal fishline type fishing rod of the present invention; FIG. 2 is a front elevational view thereof; FIG. 3 is an end view from the reel end thereof; FIG. 4 is an end view from the distal end thereof; FIG. 5 is a top plan view thereof; FIG. 6 is a bottom view thereof; and, FIG. 7 is the opposite side perspective view of FIG. 1, the broken line showing of environment being for illustrative purposes only and forming no part of claimed design.

1 Claim, 2 Drawing Sheets



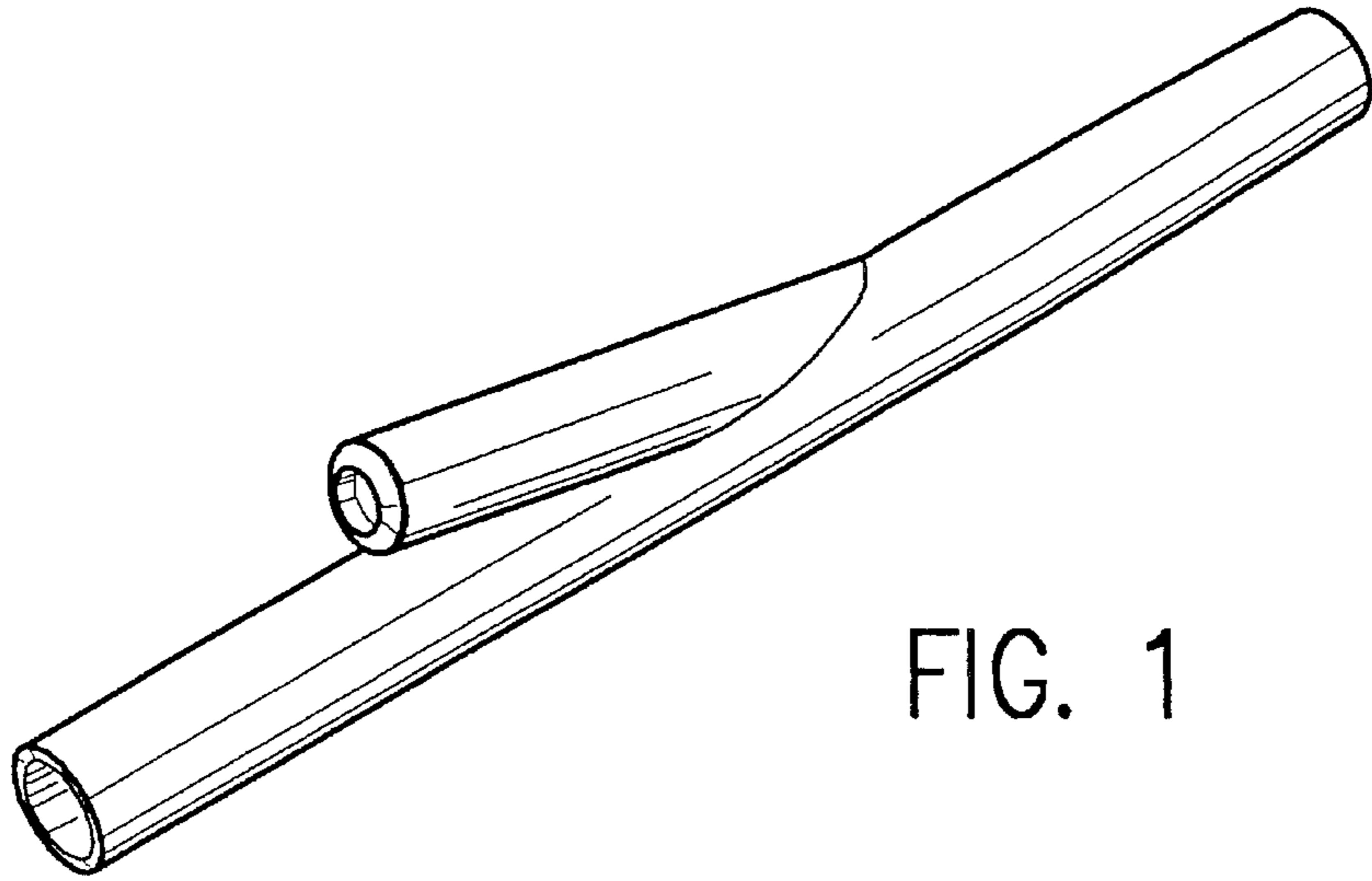


FIG. 1

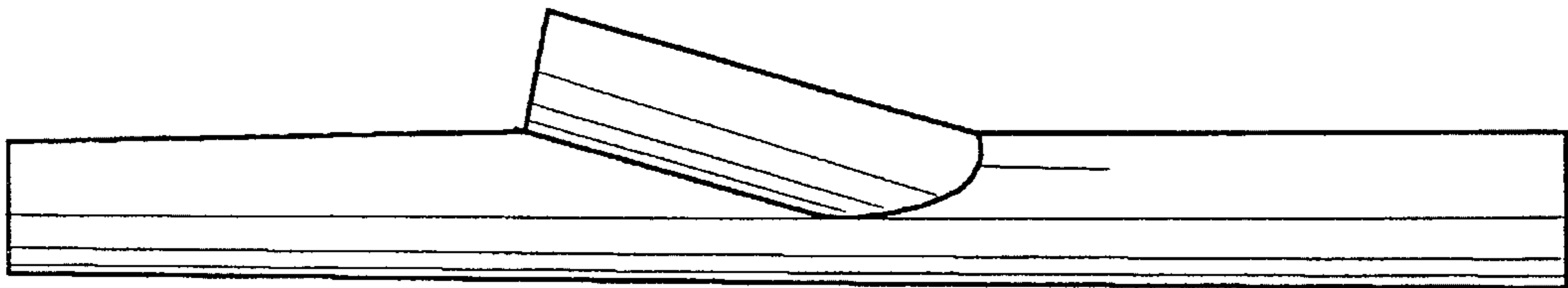


FIG. 2

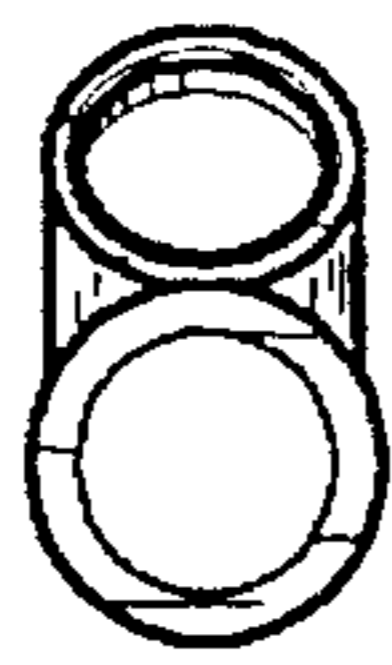


FIG. 3



FIG. 4

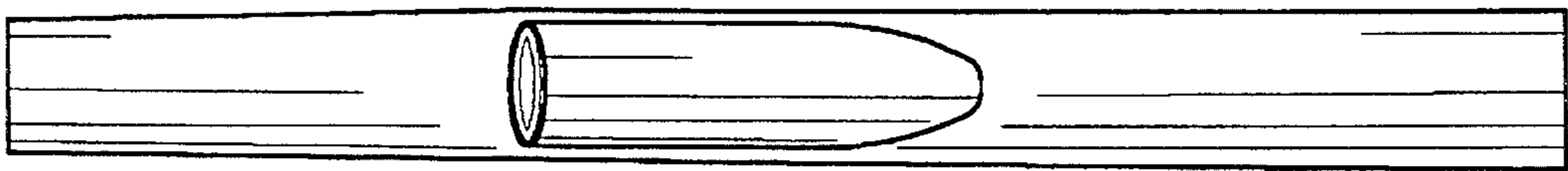


FIG. 5

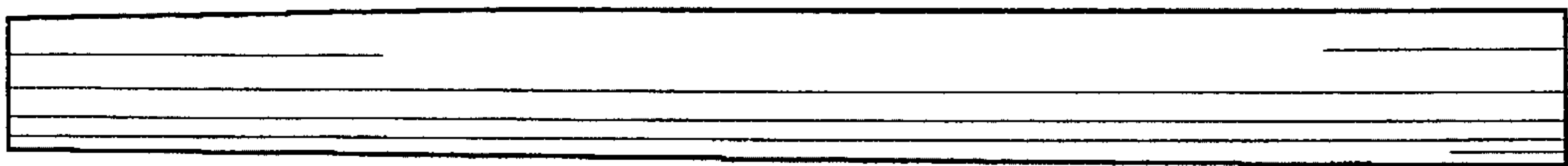


FIG. 6

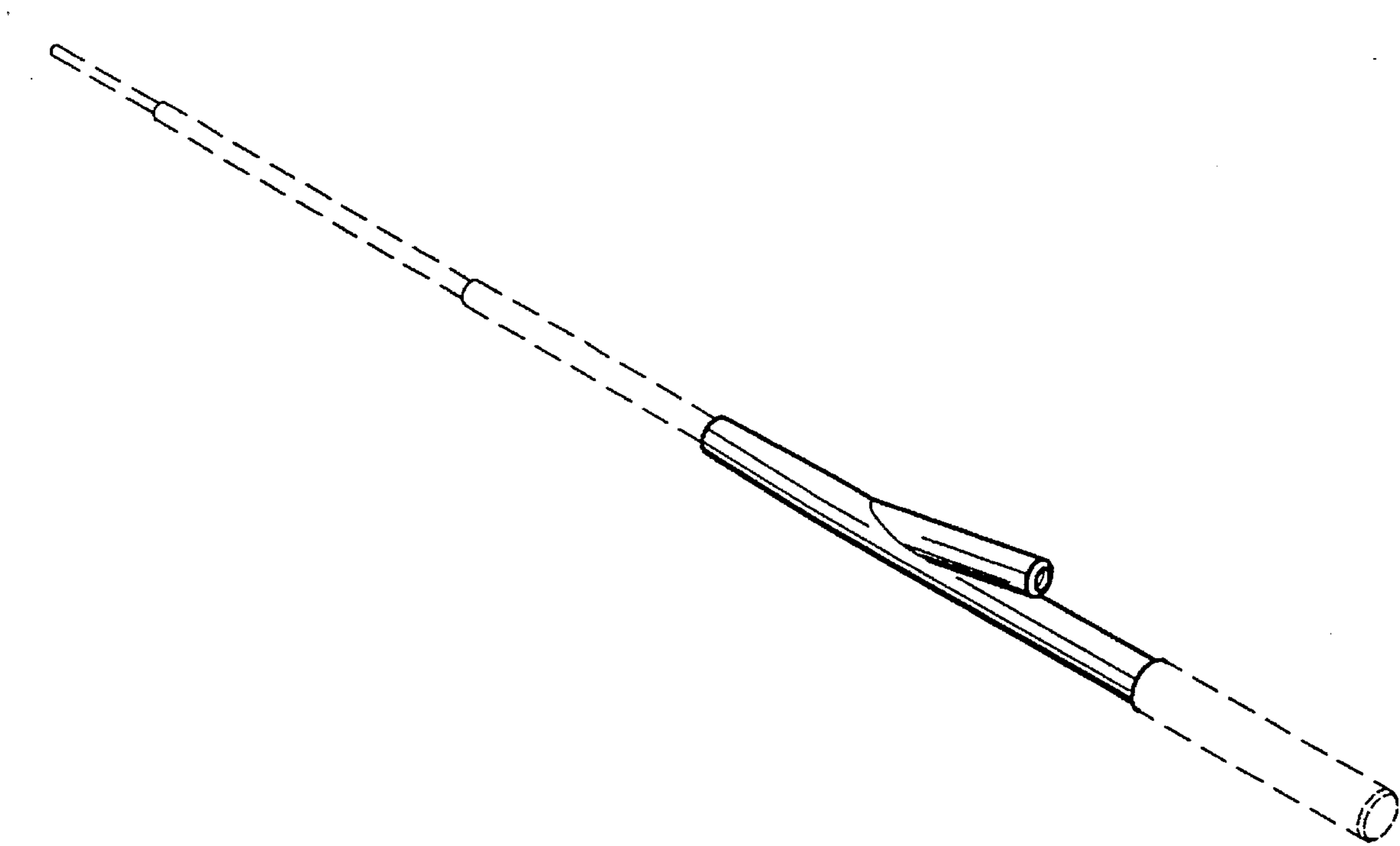


FIG. 7