



US00D370518S

United States Patent [19]
Haywood

[11] **Patent Number: Des. 370,518**
[45] **Date of Patent: **Jun. 4, 1996**

[54] **MAKAROV HANDGUN LOADER ASSIST**
[76] Inventor: **Carl J. Haywood**, 8755 SW. Sand Ridge Rd., Terrebonne, Oreg. 97760
[**] Term: **14 Years**
[21] Appl. No.: **32,251**
[22] Filed: **Dec. 13, 1994**
[52] U.S. Cl. **D22/108; D22/199**
[58] Field of Search **D22/108, 199; 42/87, 90**

255740 7/1948 Switzerland .
293152 9/1953 Switzerland .
555367 8/1943 United Kingdom .

OTHER PUBLICATIONS

James, Gary "Gun Room", Guns and Ammo, Mar. 1987.
Advertisement—"Petersen's Handguns", Jul. 1990.

Primary Examiner—Louis S. Zarfaz
Assistant Examiner—Monica A. Hannon
Attorney, Agent, or Firm—Richard C. Litman

[57] **CLAIM**

The ornamental design for a Makarov handgun loader assist, as shown and described.

References Cited

U.S. PATENT DOCUMENTS

2,862,324	12/1958	Ball	42/90 X
2,885,811	5/1959	Womble, Jr.	42/90 X
2,981,024	4/1961	Skoff	42/87
4,488,371	12/1984	Boyles .	
4,827,651	5/1989	Conkey .	
4,829,693	5/1989	Holmes .	
4,862,621	9/1989	Kearney	42/87
4,872,279	10/1989	Boat .	
4,993,180	2/1991	Upchurch .	
5,129,173	7/1992	Kuykendall .	
5,261,136	11/1993	Hall	42/90 X
5,355,606	10/1994	Origoni .	
5,402,594	4/1995	Switzer	42/90

FOREIGN PATENT DOCUMENTS

693501	11/1930	France .
304379	2/1921	Germany .

DESCRIPTION

FIG. 1 is an perspective view of a Makarov handgun loader assist showing my new design;
FIG. 2 is a right side elevational view with the left side being a mirror image thereof;
FIG. 3 is a bottom view thereof;
FIG. 4 is a front elevational view thereof;
FIG. 5 is a top view thereof; and,
FIG. 6 is an environmental perspective view of a Makarov handgun loader assist with the loader assist in an alternate position, showing the movement of the loader assist. The broken line showing of a hand and a magazine is for illustrative purposes only and forms no part of the claimed design.

1 Claim, 3 Drawing Sheets

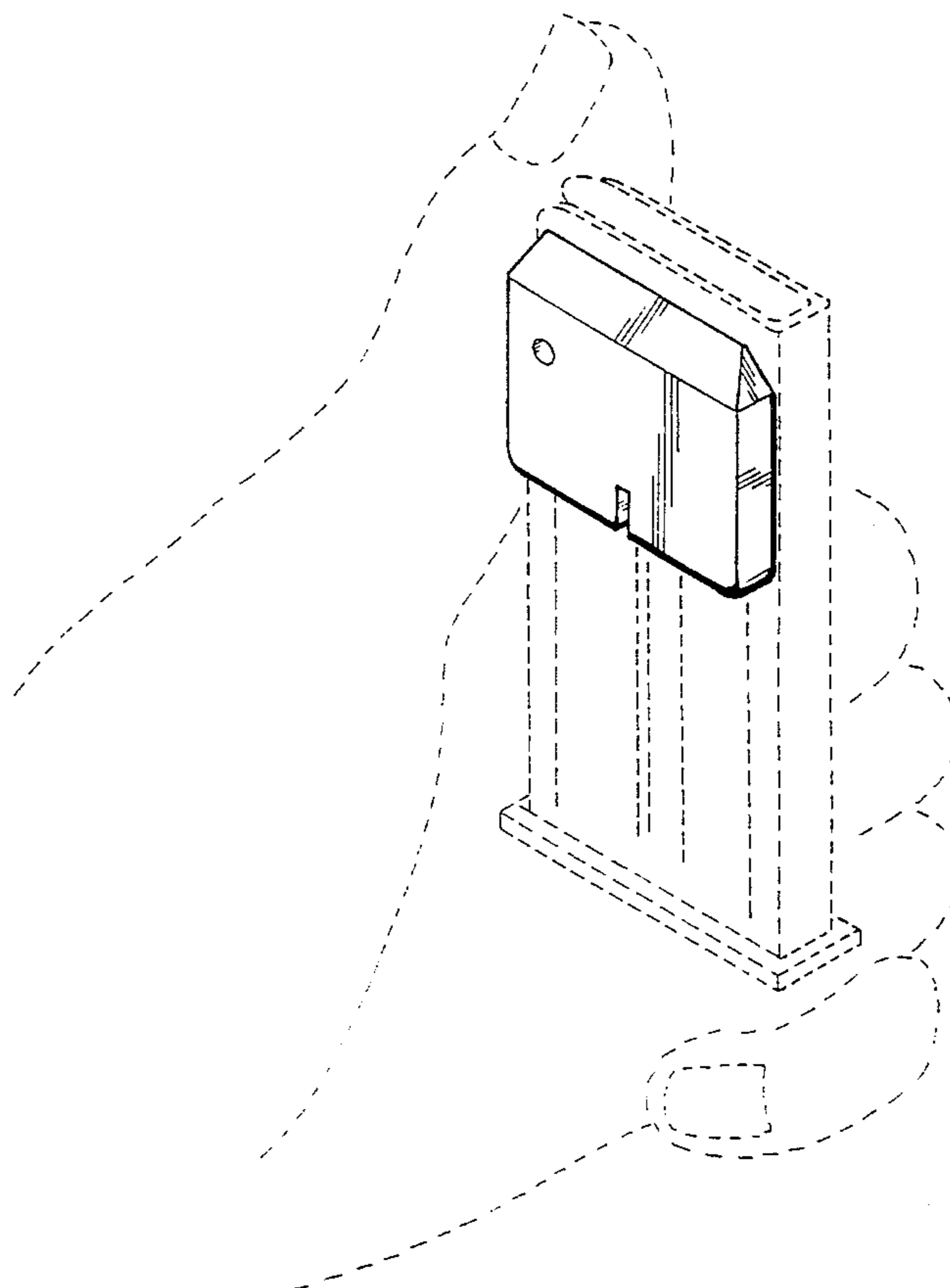
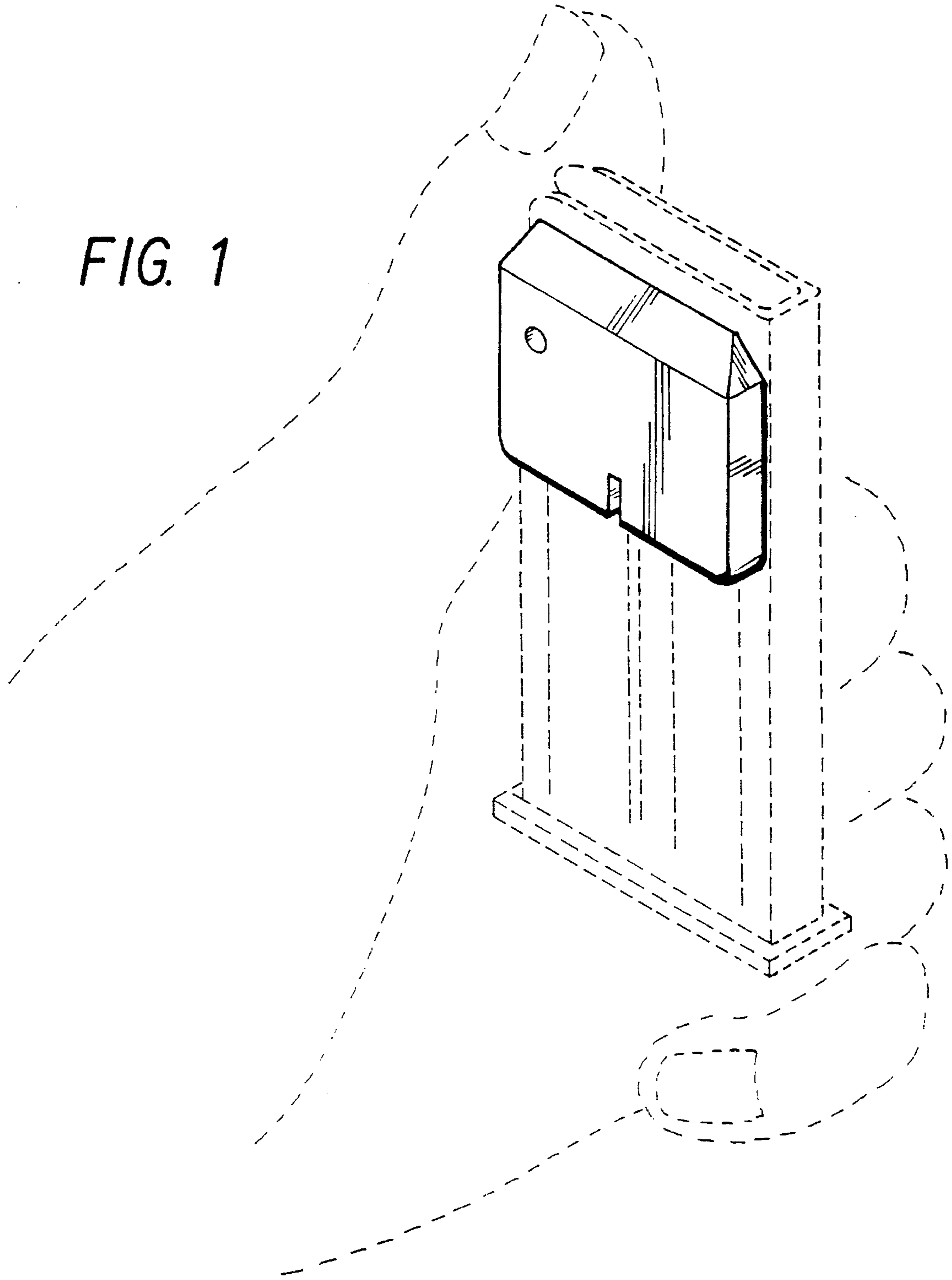


FIG. 1



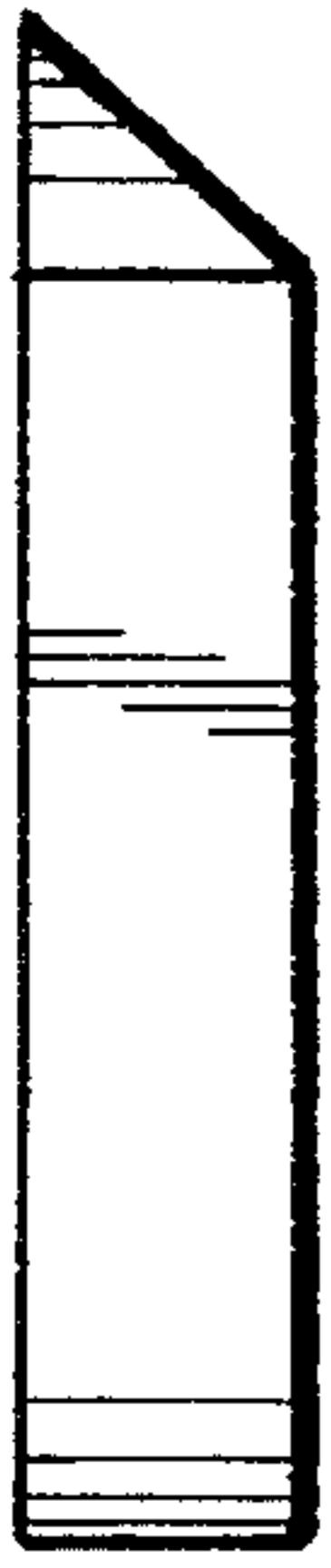


FIG. 2



FIG. 3

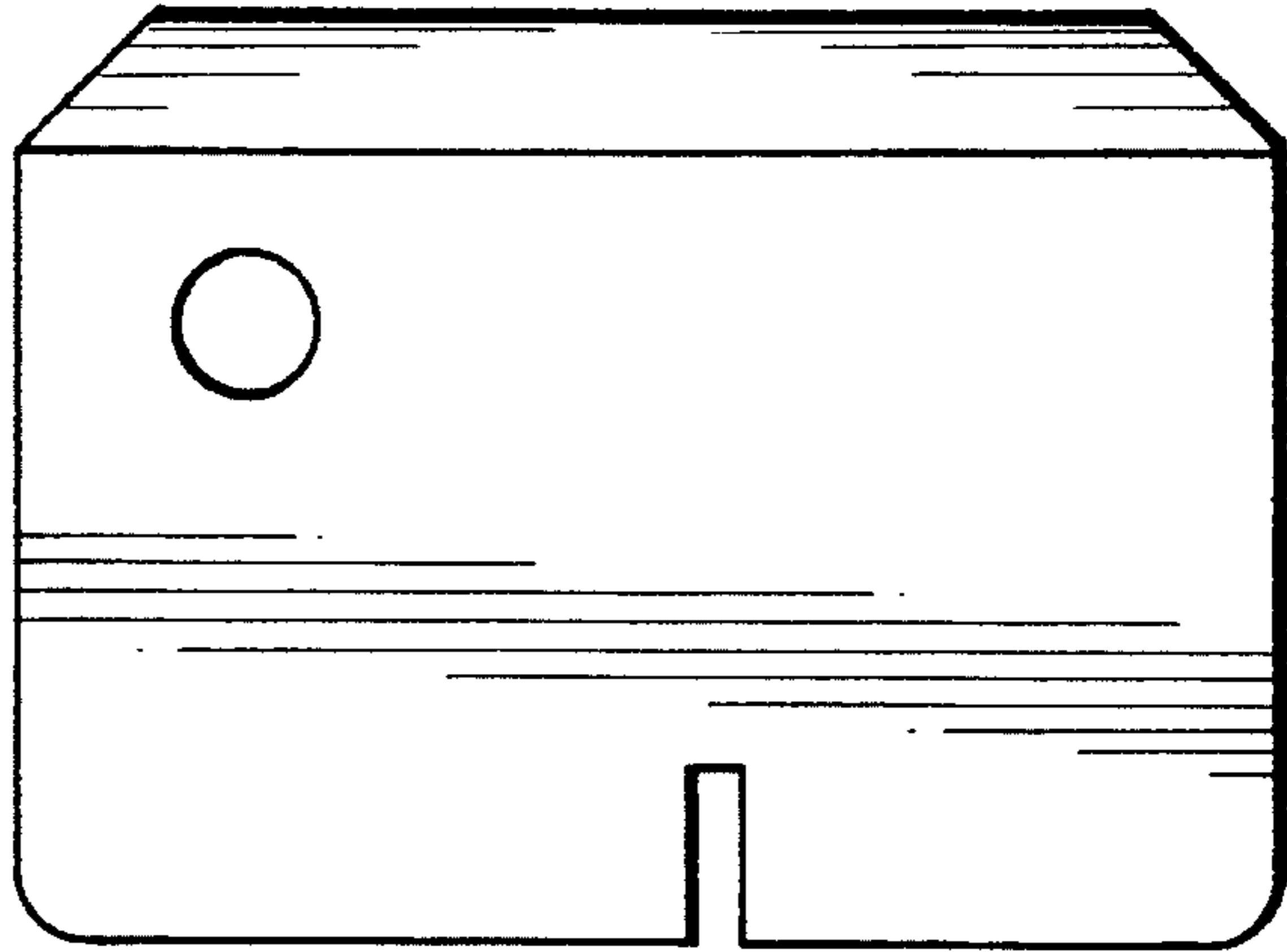


FIG. 4



FIG. 5

FIG. 6

