



US00D370517S

United States Patent [19]

[11] **Patent Number:** **Des. 370,517**

Butler, Jr.

[45] **Date of Patent:** ****Jun. 4, 1996**

[54] **GOLF DEVICE**

[76] Inventor: **Joseph H. Butler, Jr.**, 3526 Shea Rd.,
Collierville, Tenn. 38017

[**] Term: **14 Years**

[21] Appl. No.: **36,224**

[22] Filed: **Mar. 15, 1995**

[52] U.S. Cl. **D21/234**

[58] Field of Search D21/234, 219,
D21/221, 220; 273/167-175, 194 A, 194 R,
194 B, 187.4, 191 R, 183.1, 186.1, 77 R,
80 D, 80.1

[56] **References Cited**

U.S. PATENT DOCUMENTS

3,719,363	3/1973	Harrison	D21/221	X
3,845,960	11/1974	Thompson	273/167	F X
4,688,799	8/1987	Johnson	273/192	X
4,878,672	11/1989	Lukasiewicz	.		
5,429,353	7/1995	Hoeflich	273/169	X
5,435,559	7/1995	Swisshelm	273/167	F X

Primary Examiner—Sandra L. Morris
Assistant Examiner—Cheri Cohen
Attorney, Agent, or Firm—J. Bruce Hoofnagle

[57] **CLAIM**

The ornamental design for golf device, as shown and described.

DESCRIPTION

FIG. 1 is a perspective view of my new design of a golf device;

FIG. 2 is a front view of my new design of the golf device;

FIG. 3 is a rear view of my new design of the golf device;

FIG. 4 is a top view of my new design of the golf device;

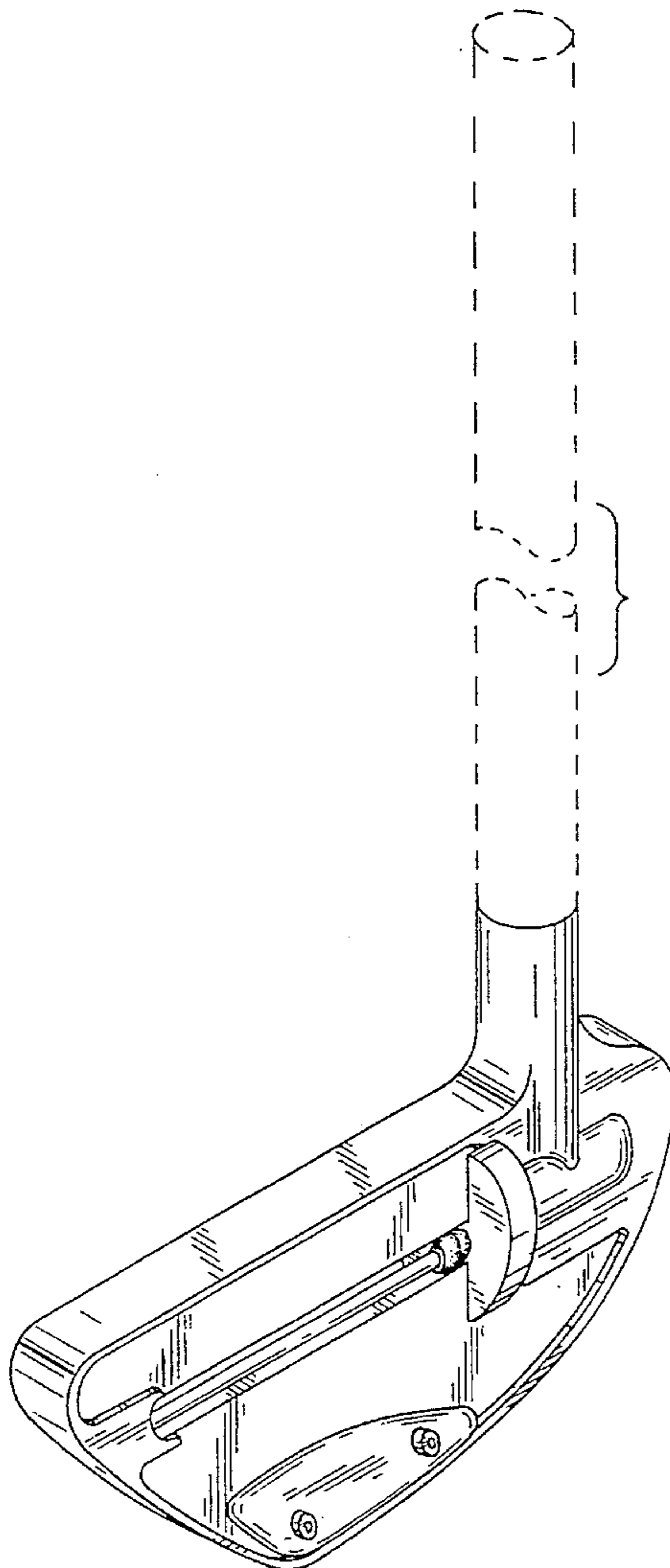
FIG. 5 is a bottom view of my new design of the golf device;

FIG. 6 is a right side view of my new design of the golf device; and,

FIG. 7 is a left side view of my new design of the golf device.

The broken line showing of the shaft in FIG. 1 is for illustrative purposes only and forms no part of the claimed design.

1 Claim, 3 Drawing Sheets



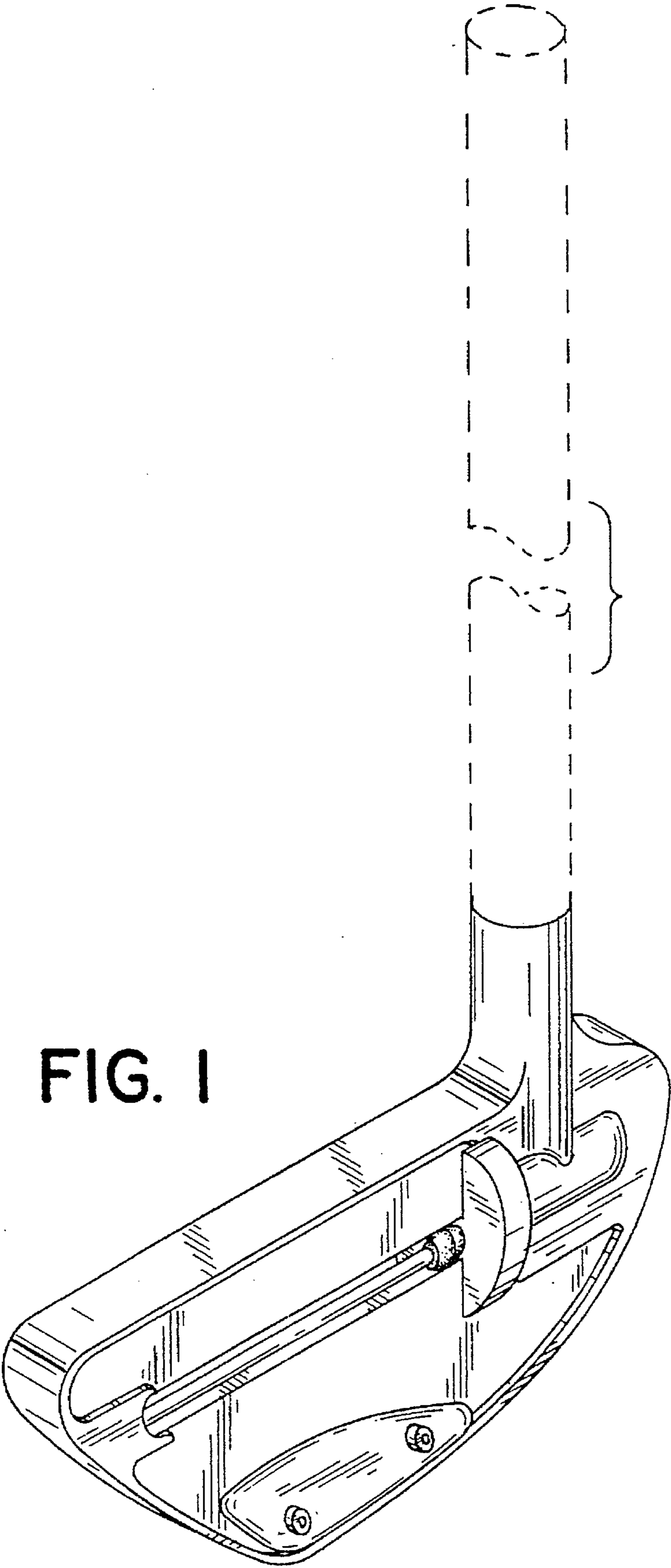


FIG. 1

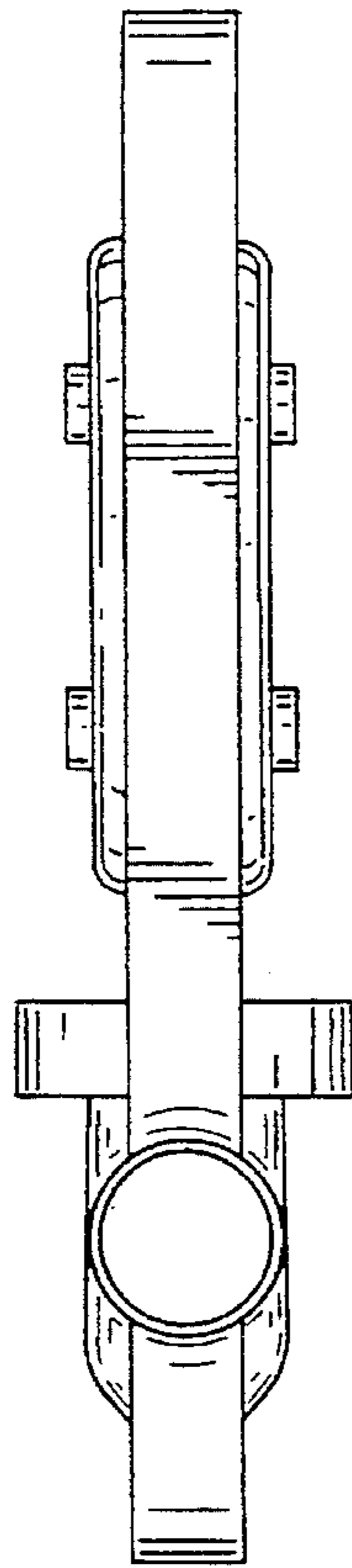


FIG. 4

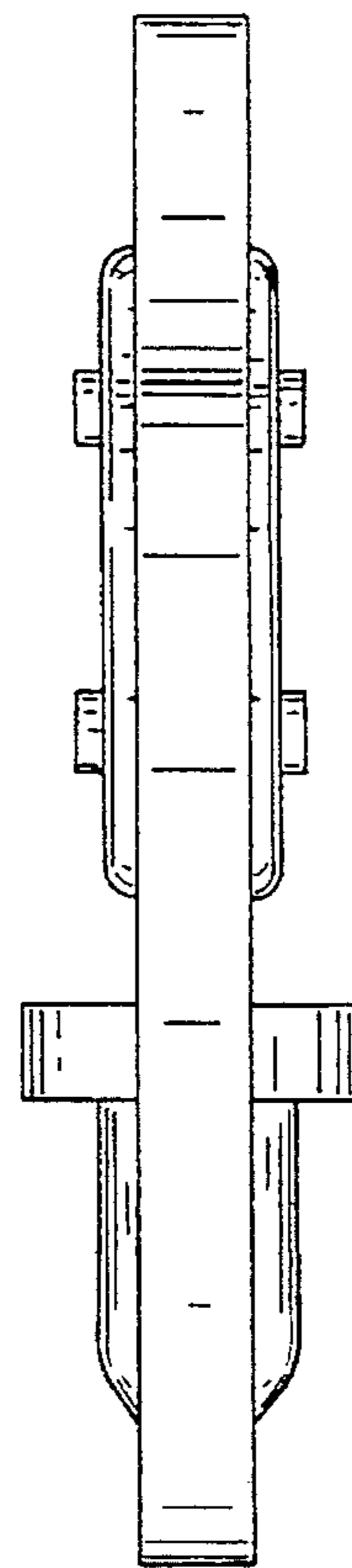


FIG. 5

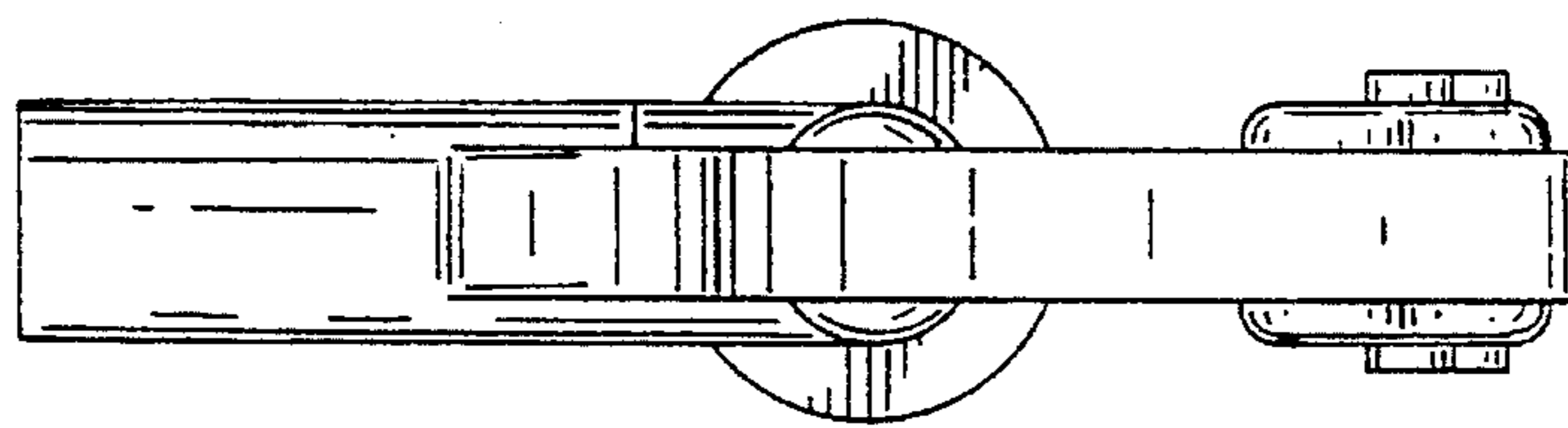


FIG. 3

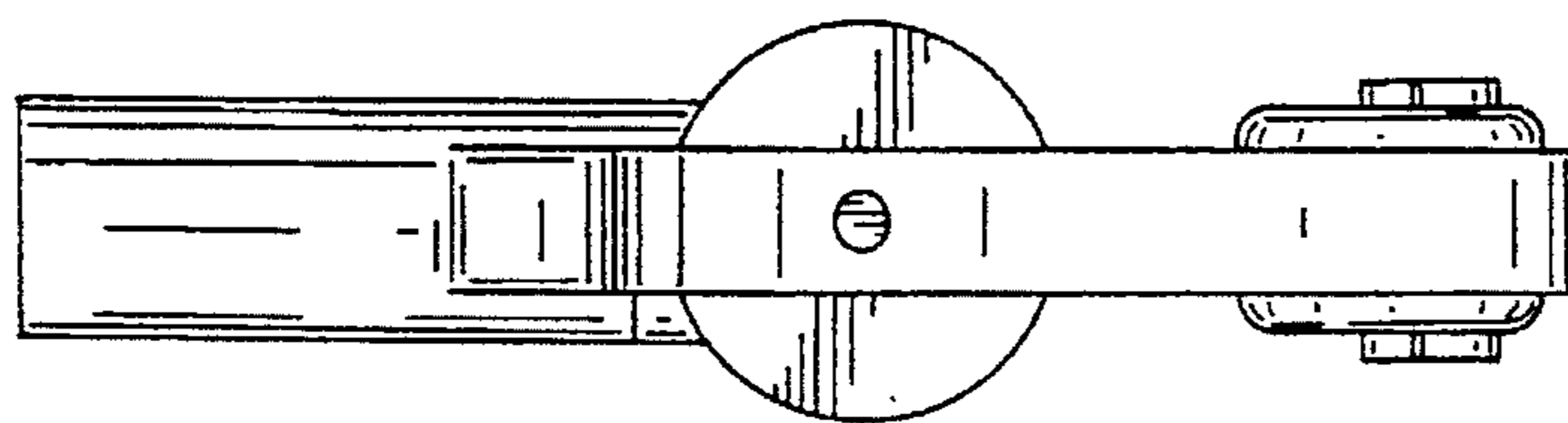


FIG. 2

