



US00D370512S

United States Patent [19]

[11] Patent Number: **Des. 370,512**

Blough et al.

[45] Date of Patent: ***** Jun. 4, 1996**

[54] GOLF CLUB HEAD

5,160,136 11/1992 Eger .
5,160,137 11/1992 Katayama .
5,209,473 5/1993 Fisher .

[75] Inventors: **R. Thomas Blough**, Mineral, Va.;
Michael E. Finn, Ft. Worth, Tex.

OTHER PUBLICATIONS

[73] Assignee: **Ben Hogan Company**, Richmond, Va.

Golf World; Mar. 4, 1988; p. 19; "Titleist DTR" iron, middle right of page.

[*] Notice: The portion of the term of this patent subsequent to Oct. 3, 2009, has been disclaimed.

Primary Examiner—Terry A. Wallace
Assistant Examiner—Mitchell I. Siegel
Attorney, Agent, or Firm—Martin Smolowitz

[**] Term: **14 Years**

[57] CLAIM

[21] Appl. No.: **28,664**

The ornamental design for a golf club head, as shown and described.

[22] Filed: **Sep. 20, 1994**

[52] U.S. Cl. **D21/220**

DESCRIPTION

[58] Field of Search D21/220; 273/167-175

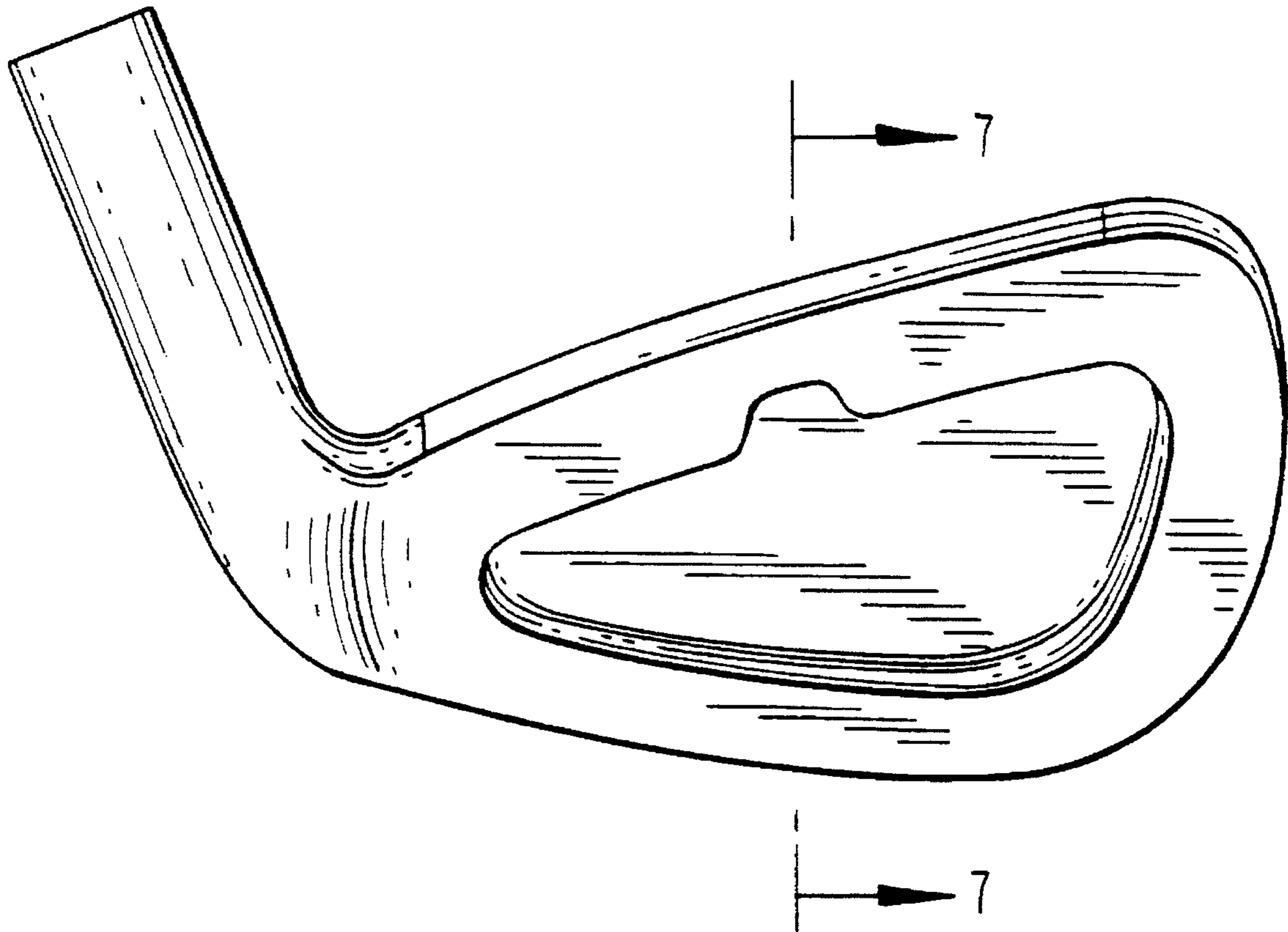
FIG. 1 is a front elevational view of the golf club head showing my new design;
FIG. 2 is a top plan view thereof;
FIG. 3 is a right side view thereof;
FIG. 4 is a left side view thereof;
FIG. 5 is a bottom plan view thereof;
FIG. 6 is a rear elevational view thereof; and,
FIG. 7 is a cross-sectional view taken along lines 7/7 of FIG. 1.

[56] References Cited

U.S. PATENT DOCUMENTS

D. 328,936	8/1992	Antonious	D21/220
D. 354,786	1/1995	Manning et al.	D21/220
D. 355,234	2/1995	MacNally et al.	D21/220
3,059,926	10/1962	Johnstone .	
3,655,188	4/1972	Solheim .	
4,848,747	7/1989	Fujimura .	
5,011,151	4/1991	Antonious .	
5,026,056	6/1991	McNally .	

1 Claim, 3 Drawing Sheets



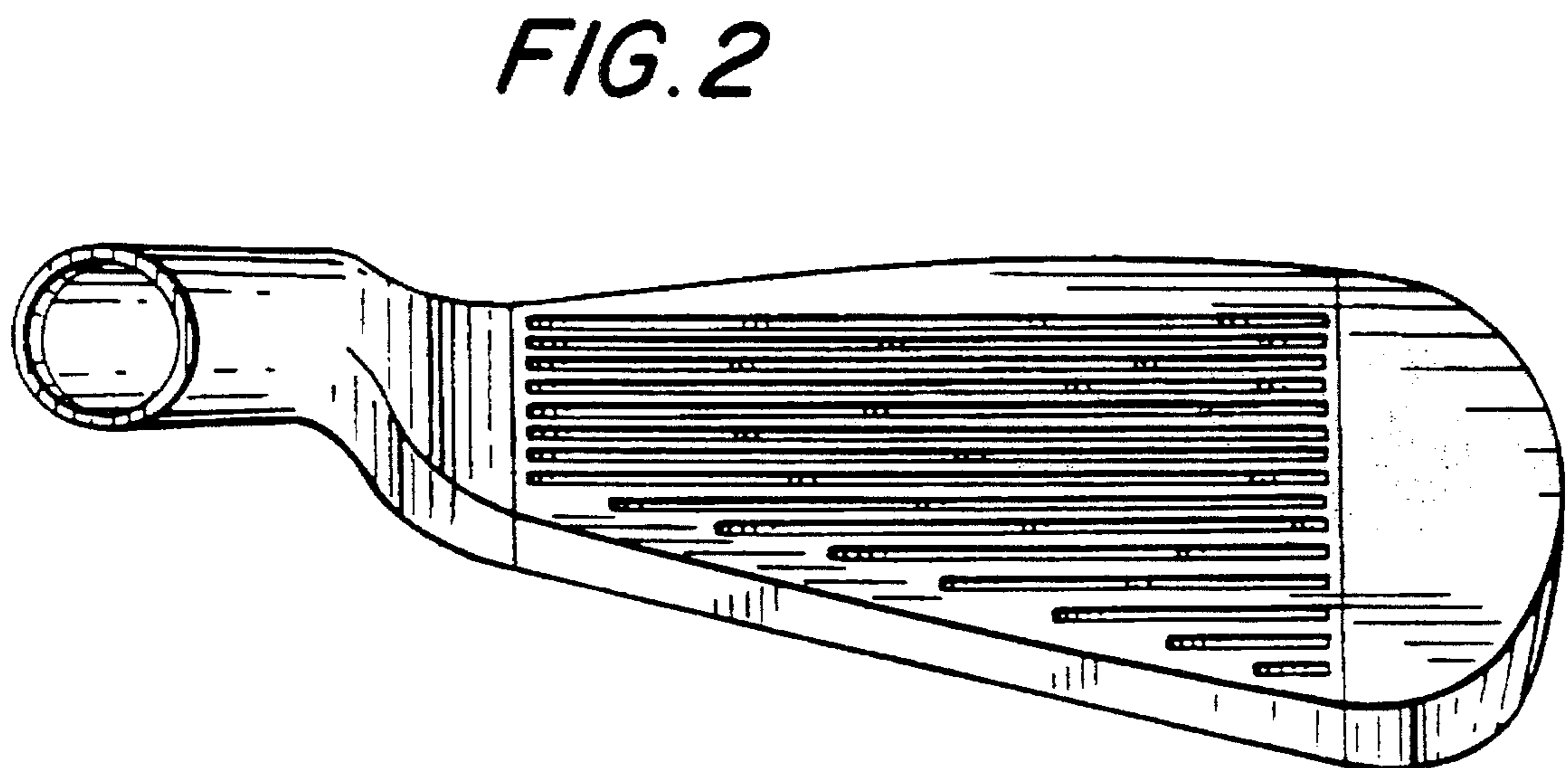
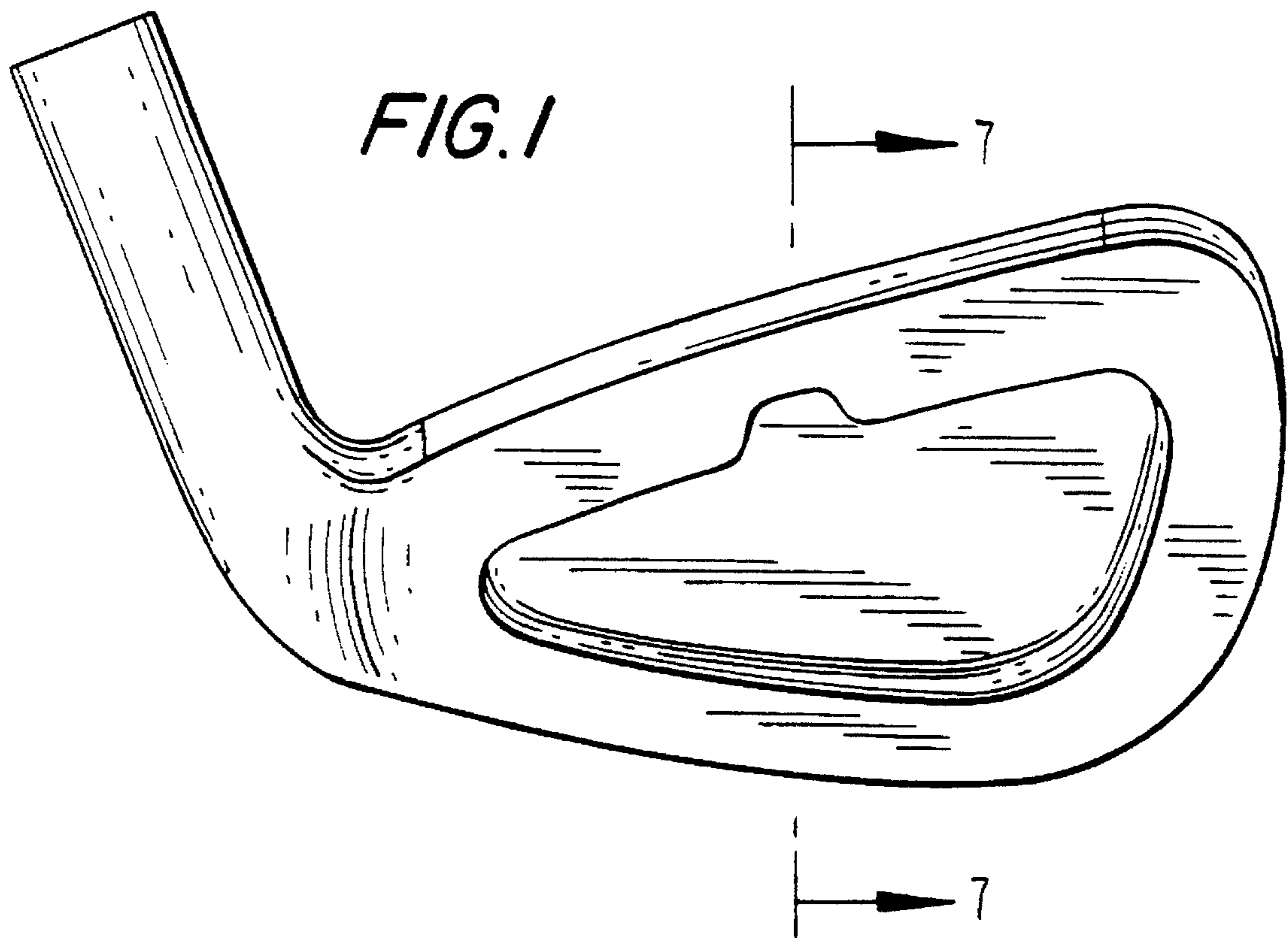


FIG. 3

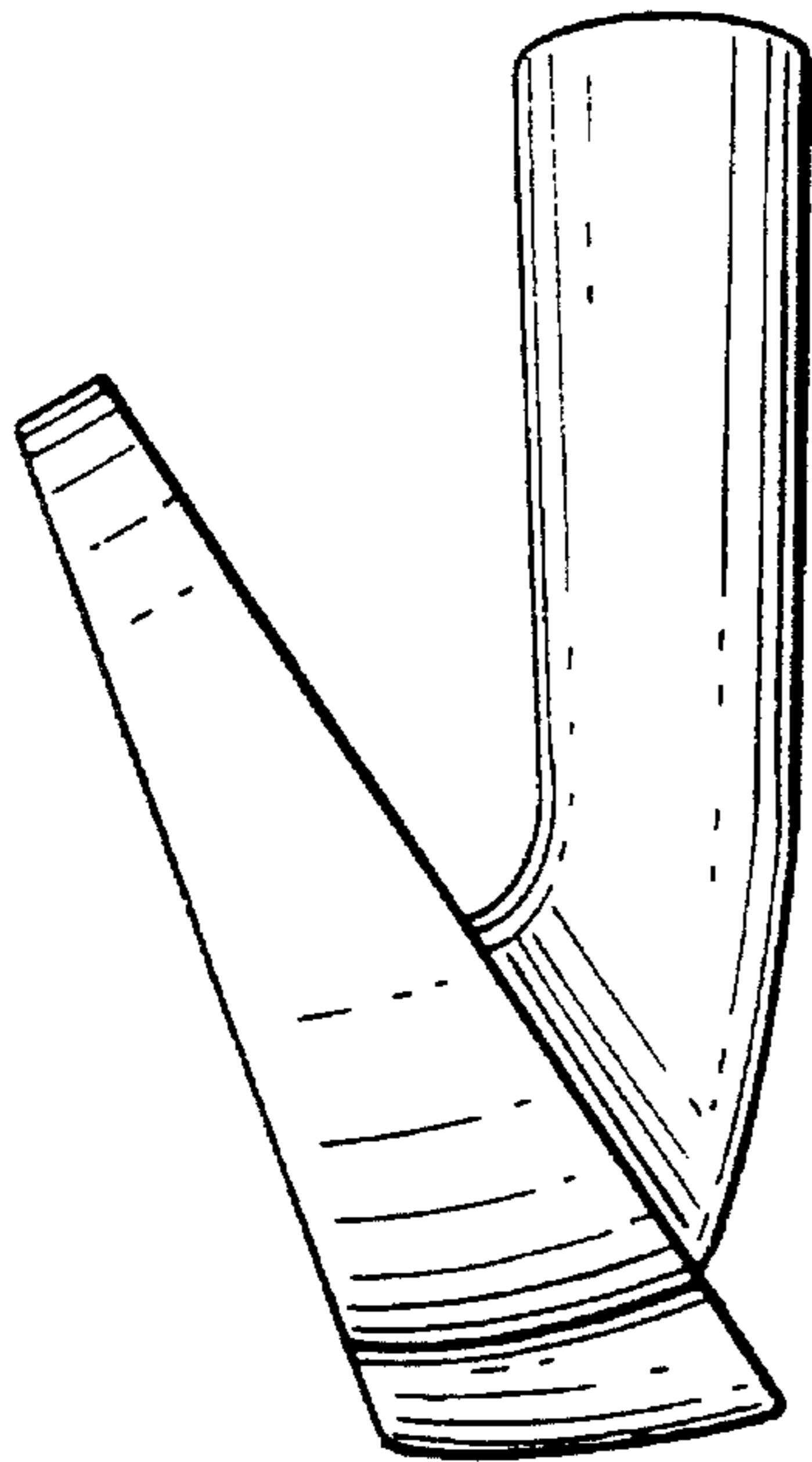


FIG. 4

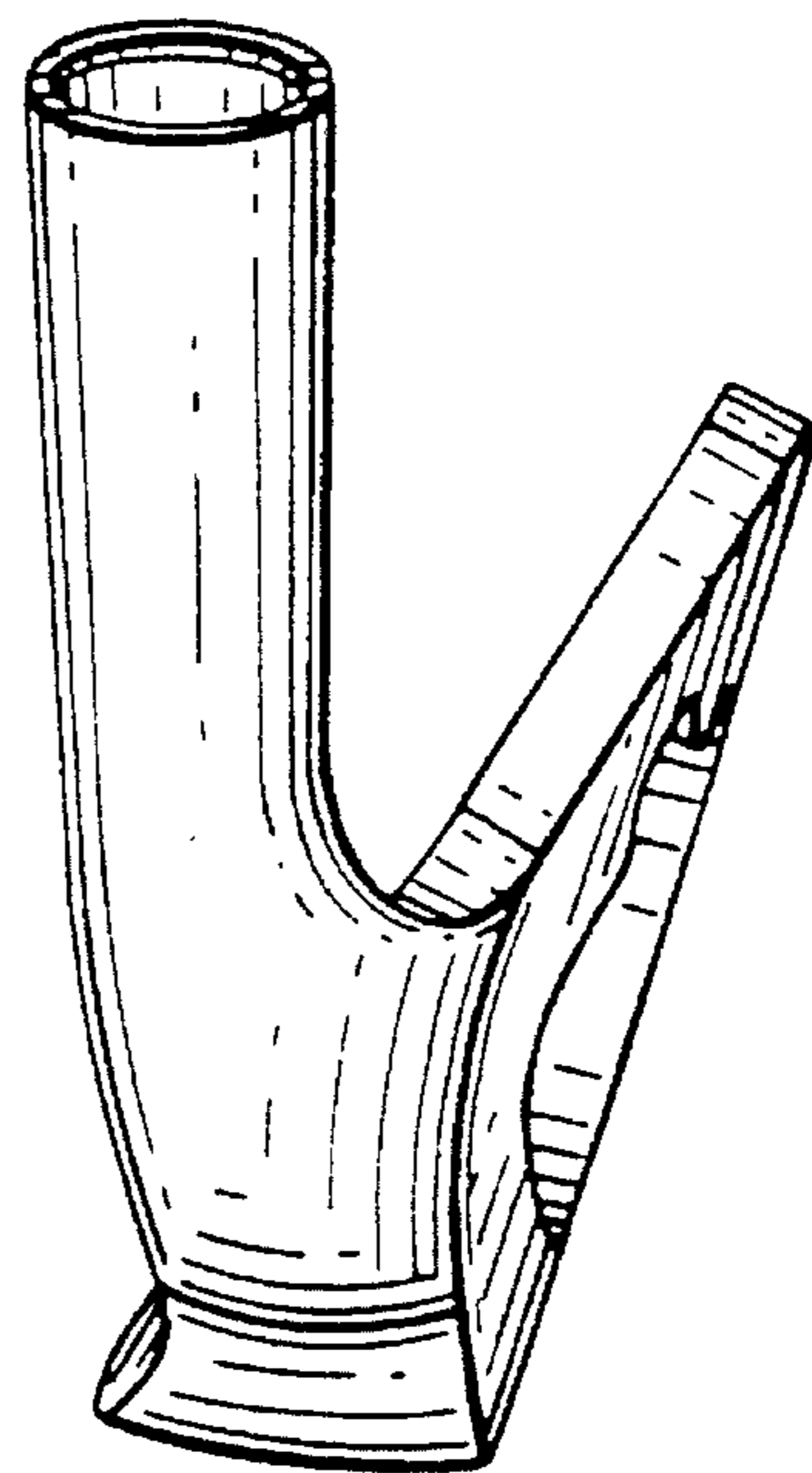


FIG. 5

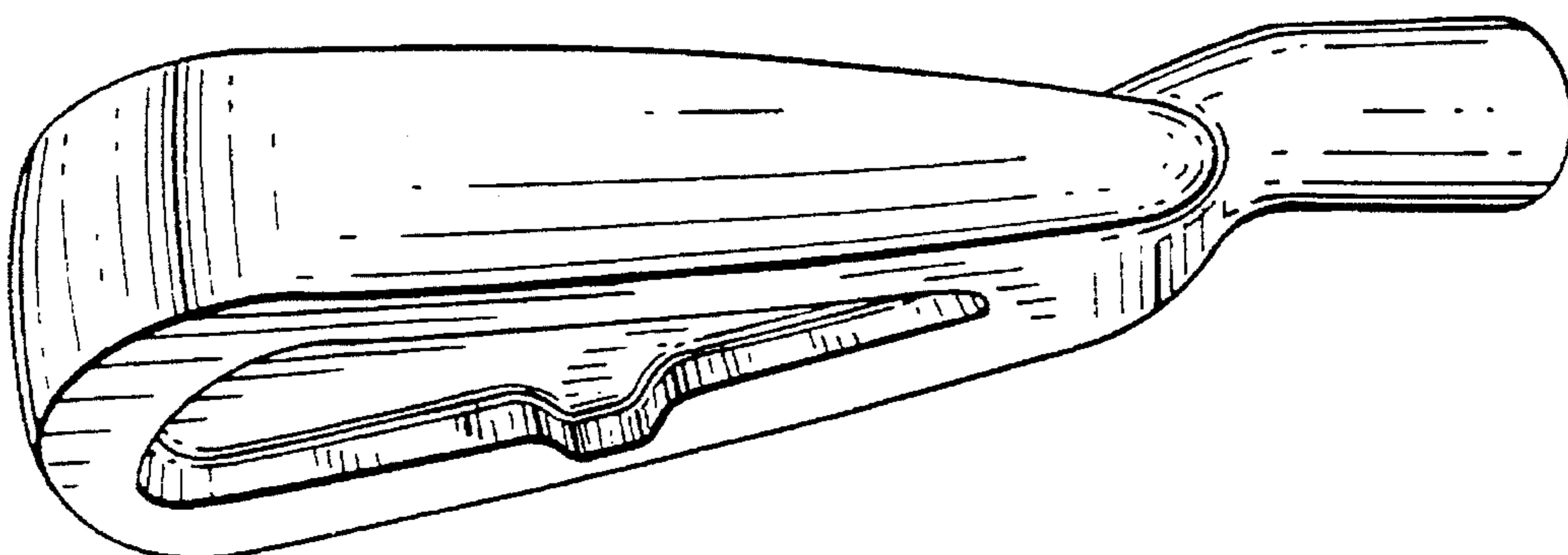


FIG. 6

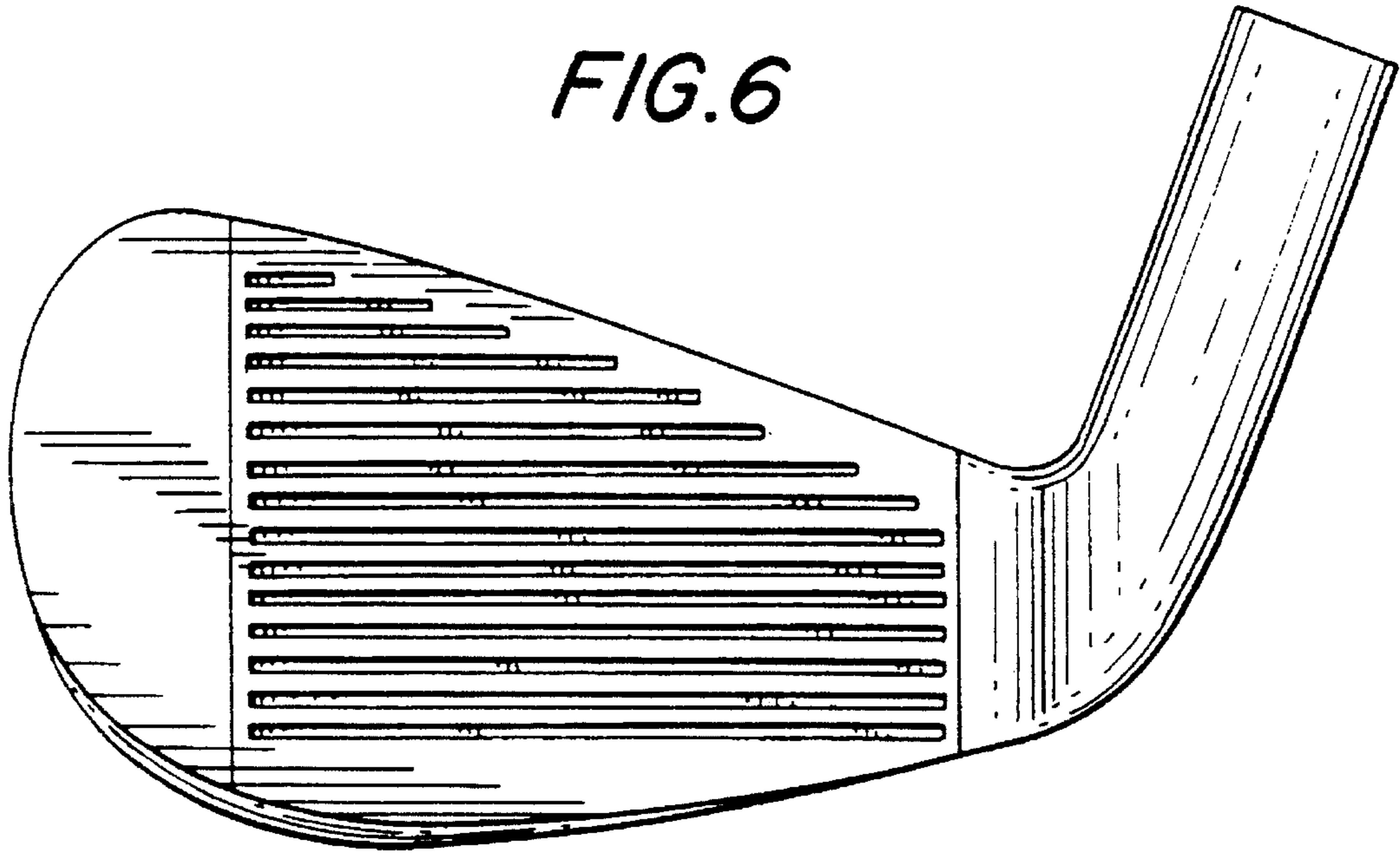


FIG. 7

