



US00D370509S

**United States Patent** [19]  
**Gillott**

[11] **Patent Number: Des. 370,509**

[45] **Date of Patent: \*\*Jun. 4, 1996**

[54] **COMBINATION EXERCISE TREADMILL  
AND VISUAL DISPLAY**

[76] Inventor: **Jeffrey L. Gillott**, 212 Thomas Street,  
Oshawa, Ontario, Canada, L1J-1M1

[\*\*] Term: **14 Years**

[21] Appl. No.: **39,321**

[22] Filed: **May 24, 1995**

[52] U.S. Cl. .... **D21/192**

[58] Field of Search ..... D21/191, 192,  
D21/193, 11, 13; D14/129; 482/902, 54,  
1; 364/410

[56] **References Cited**

**U.S. PATENT DOCUMENTS**

D. 265,412	7/1982	Summerlot .....	D21/192
D. 266,443	10/1982	Summerlot .....	D21/192
D. 304,843	11/1989	Tonner .....	D21/13
D. 318,073	7/1991	Jang .....	D21/13
4,413,821	11/1983	Centafanti .....	272/69
4,614,337	9/1986	Schönenberger .....	482/54

4,643,418	2/1987	Bart .....	272/69
4,720,789	1/1988	Hector et al. ....	482/901
4,842,266	6/1989	Sweeney, Sr. et al. ....	272/69
5,104,119	4/1992	Lynch .....	482/5
5,240,417	8/1993	Smithson et al. ....	482/57
5,385,519	1/1995	Hsu et al. ....	482/54

*Primary Examiner*—Philip S. Hyder  
*Attorney, Agent, or Firm*—James A. Hudak

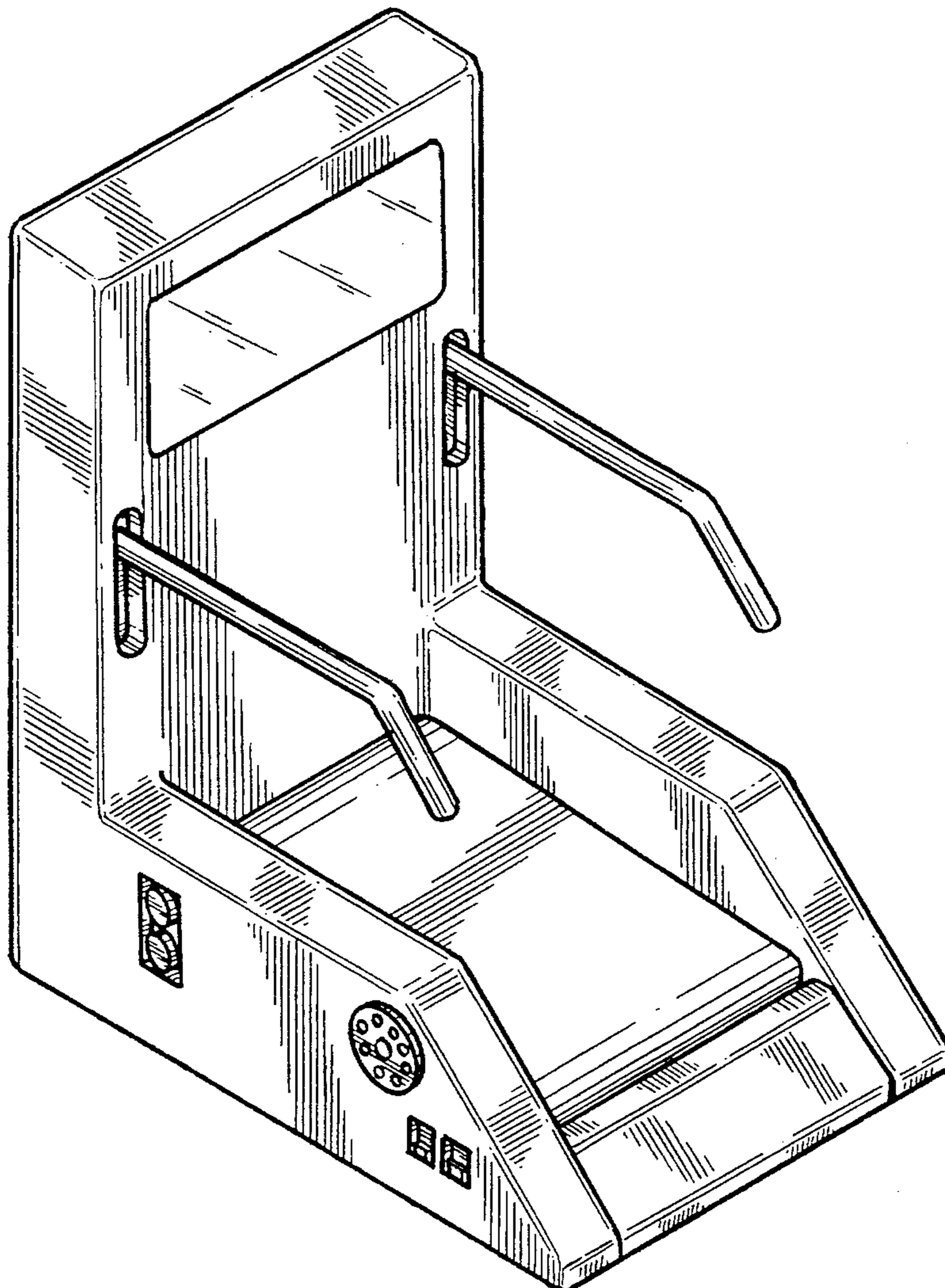
[57] **CLAIM**

The ornamental design for combination exercise treadmill and visual display, as shown and described.

**DESCRIPTION**

FIG. 1 is a perspective view of the combination exercise treadmill and visual display showing my new design; FIG. 2 is a front elevational view thereof; FIG. 3 is a rear elevational view thereof; FIG. 4 is a left side elevational view thereof; FIG. 5 is a right side elevational view thereof; FIG. 6 is a top plan view thereof; and, FIG. 7 is a bottom plan view thereof.

**1 Claim, 4 Drawing Sheets**



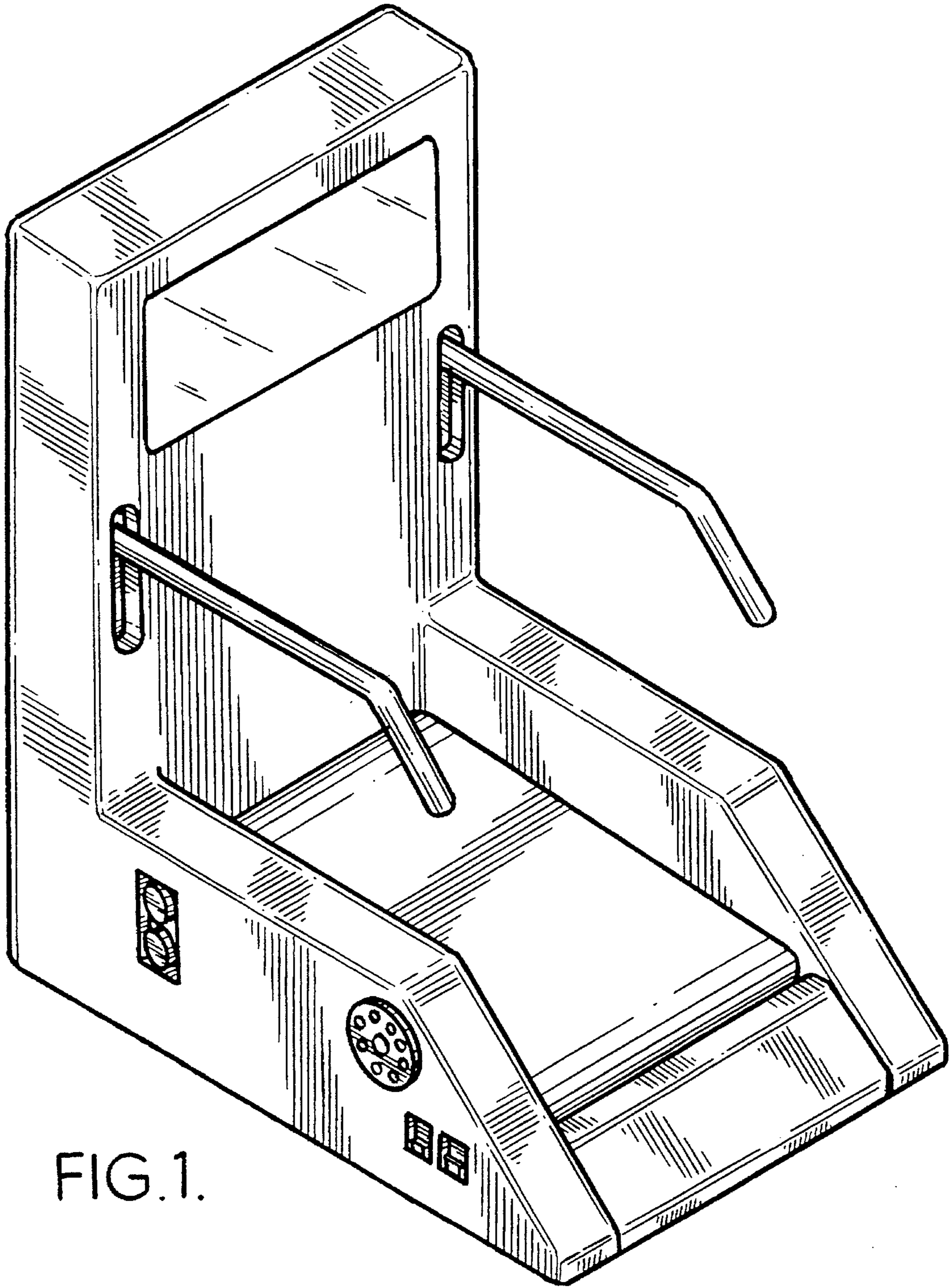


FIG. 1.

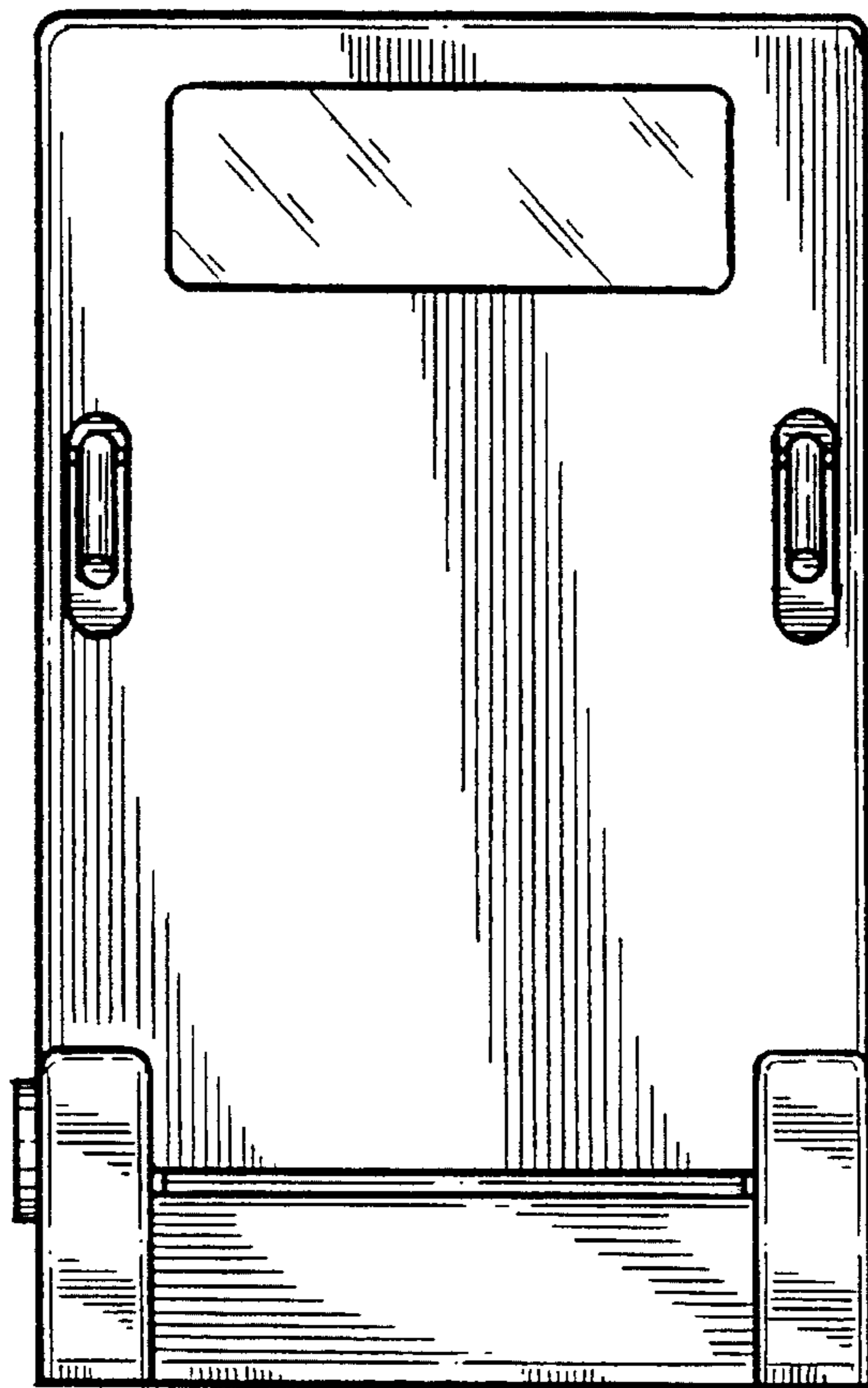


FIG. 2.

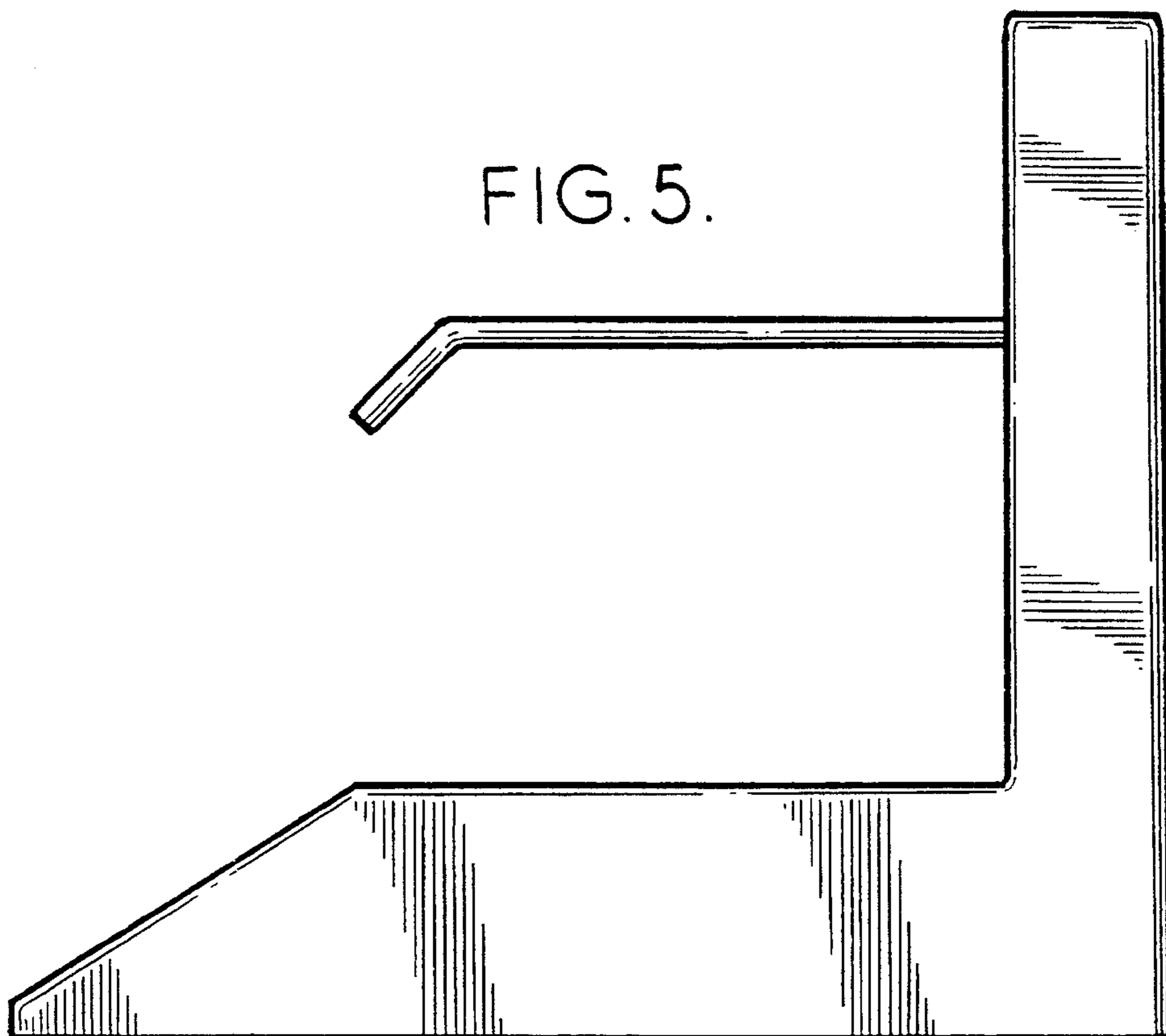


FIG. 5.

FIG. 4.

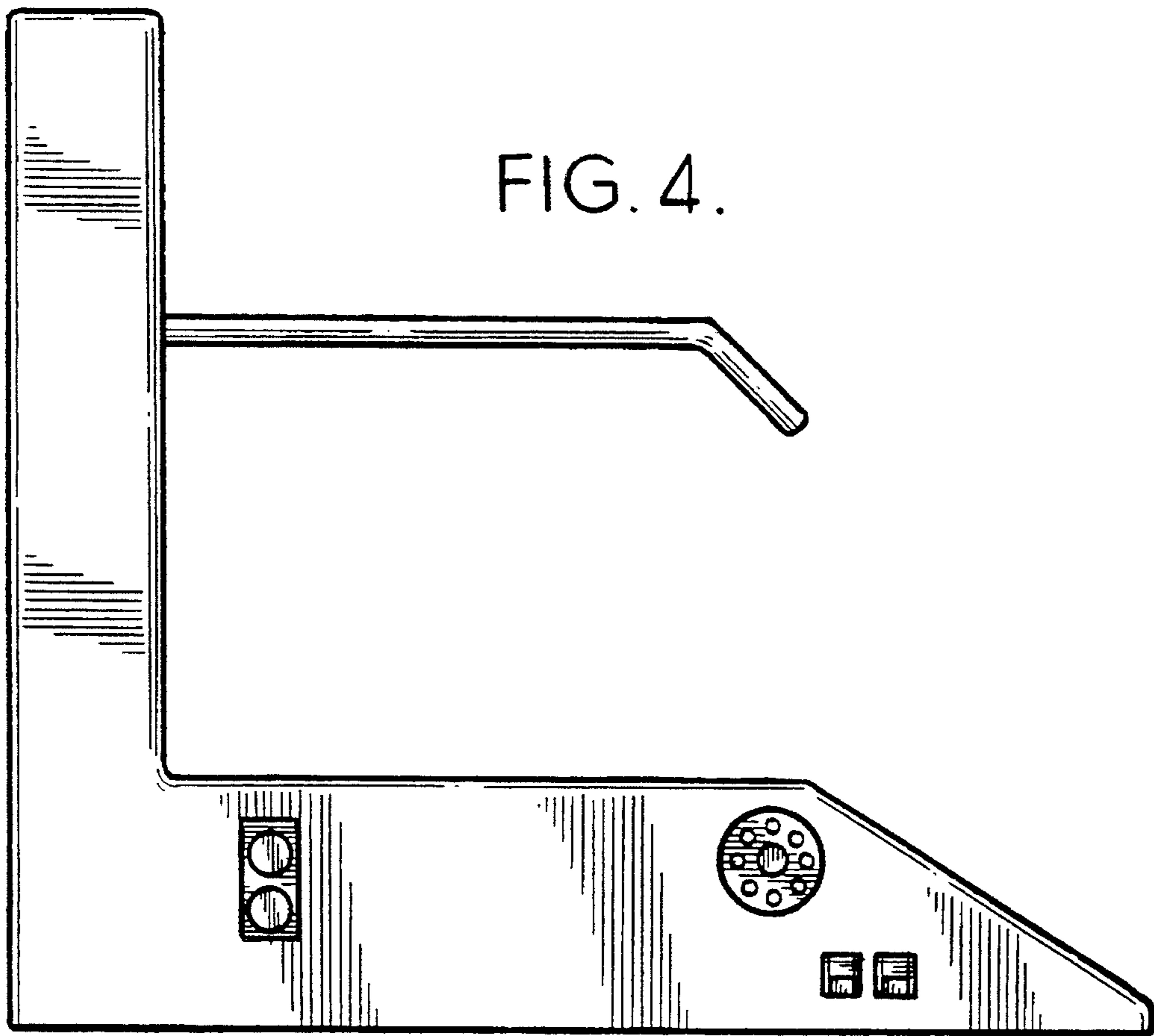
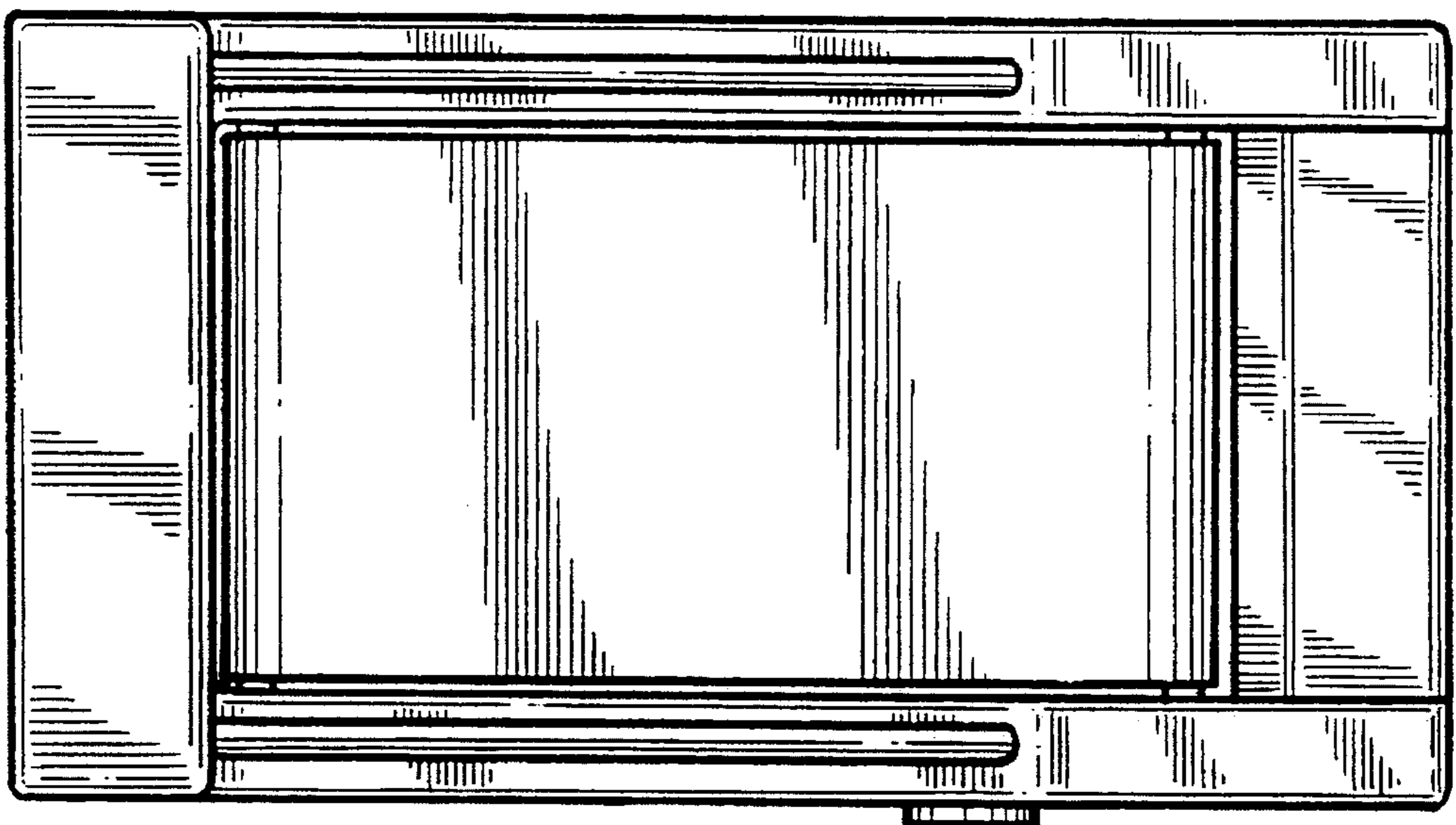


FIG. 6.



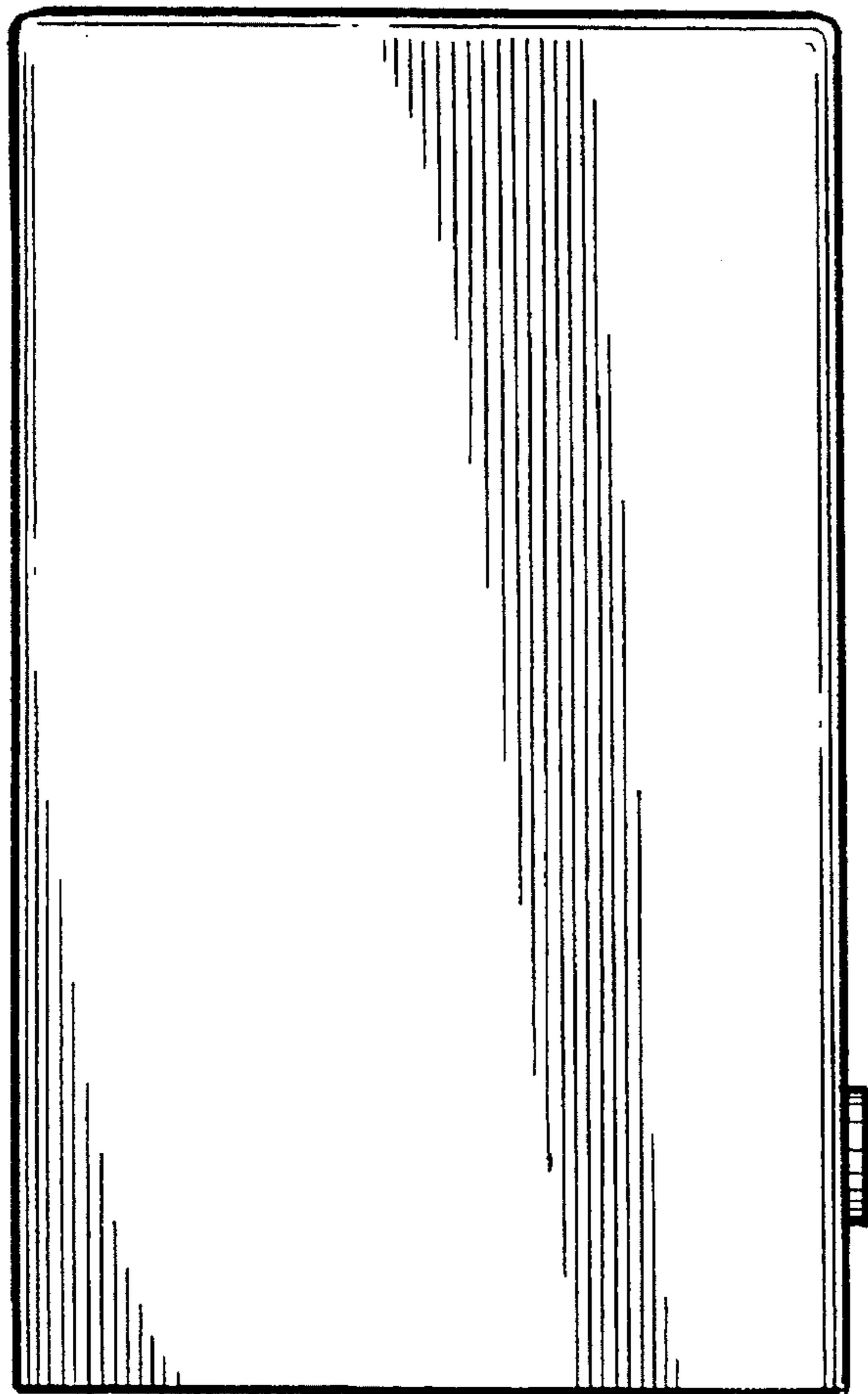


FIG. 3.

FIG. 7.

