



US00D370508S

United States Patent [19]

[11] Patent Number: **Des. 370,508**

Drennan

[45] Date of Patent: ****Jun. 4, 1996**

[54] **TREADMILL HOUSING**

[76] Inventor: **Ray Drennan**, P.O. Box 250, Ozark, Mo. 65721

[**] Term: **14 Years**

4,918,766	4/1990	Leonageo, Jr.	4/495
4,938,469	7/1990	Crandell	482/54
5,002,015	3/1991	Sampson et al.	119/29
5,100,127	3/1992	Melnick et al.	482/54
5,108,088	4/1992	Keller et al.	482/5
5,295,929	3/1994	Weisz	482/54

[21] Appl. No.: **30,729**

Primary Examiner—Philip S. Hyder
Attorney, Agent, or Firm—Chase & Yakimo

[22] Filed: **Nov. 7, 1994**

[52] U.S. Cl. **D21/192; D21/191**

[57] **CLAIM**

[58] Field of Search D21/191, 192,
D21/193; 482/54, 105; 119/29; 4/495

The ornamental design for a treadmill housing, as shown and described.

[56] **References Cited**

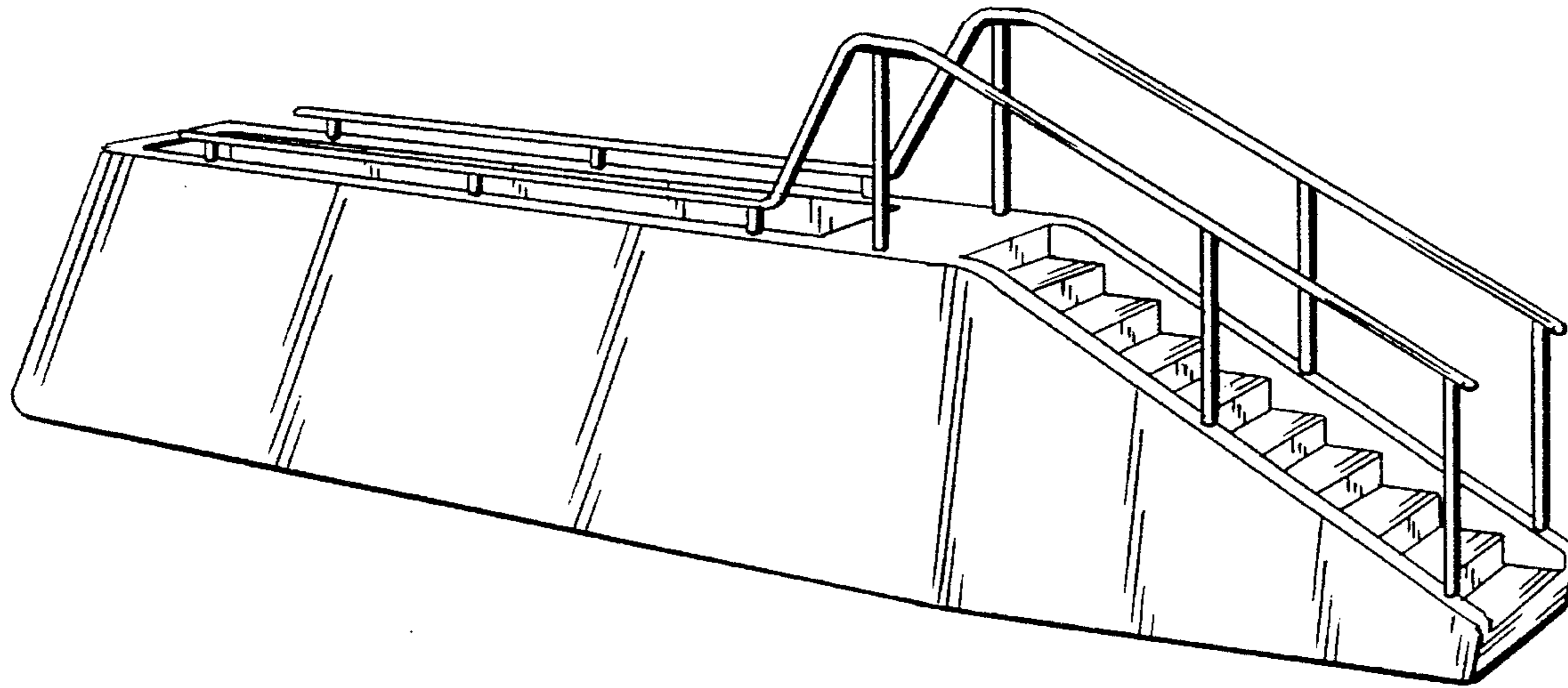
DESCRIPTION

U.S. PATENT DOCUMENTS

D. 231,678	5/1974	Trotter	D21/192
D. 282,386	1/1986	Dealey et al.	D21/192
4,332,217	8/1980	Davis	482/54
4,334,676	6/1982	Schönenberger	482/54
4,363,480	12/1982	Fisher et al.	482/54
4,576,376	3/1986	Miller	482/54
4,712,788	12/1987	Gaudreau, Jr.	482/54
4,776,581	10/1988	Shepherdson	482/54

FIG. 1 is a front elevational view of a treadmill housing, showing my new design;
FIG. 2 is a top plan view thereof;
FIG. 3 is a bottom plan view thereof;
FIG. 4 is a rear elevational view thereof;
FIG. 5 is a top, rear and right side perspective view thereof; and,
FIG. 6 is a top, rear and left side perspective view thereof.

1 Claim, 3 Drawing Sheets



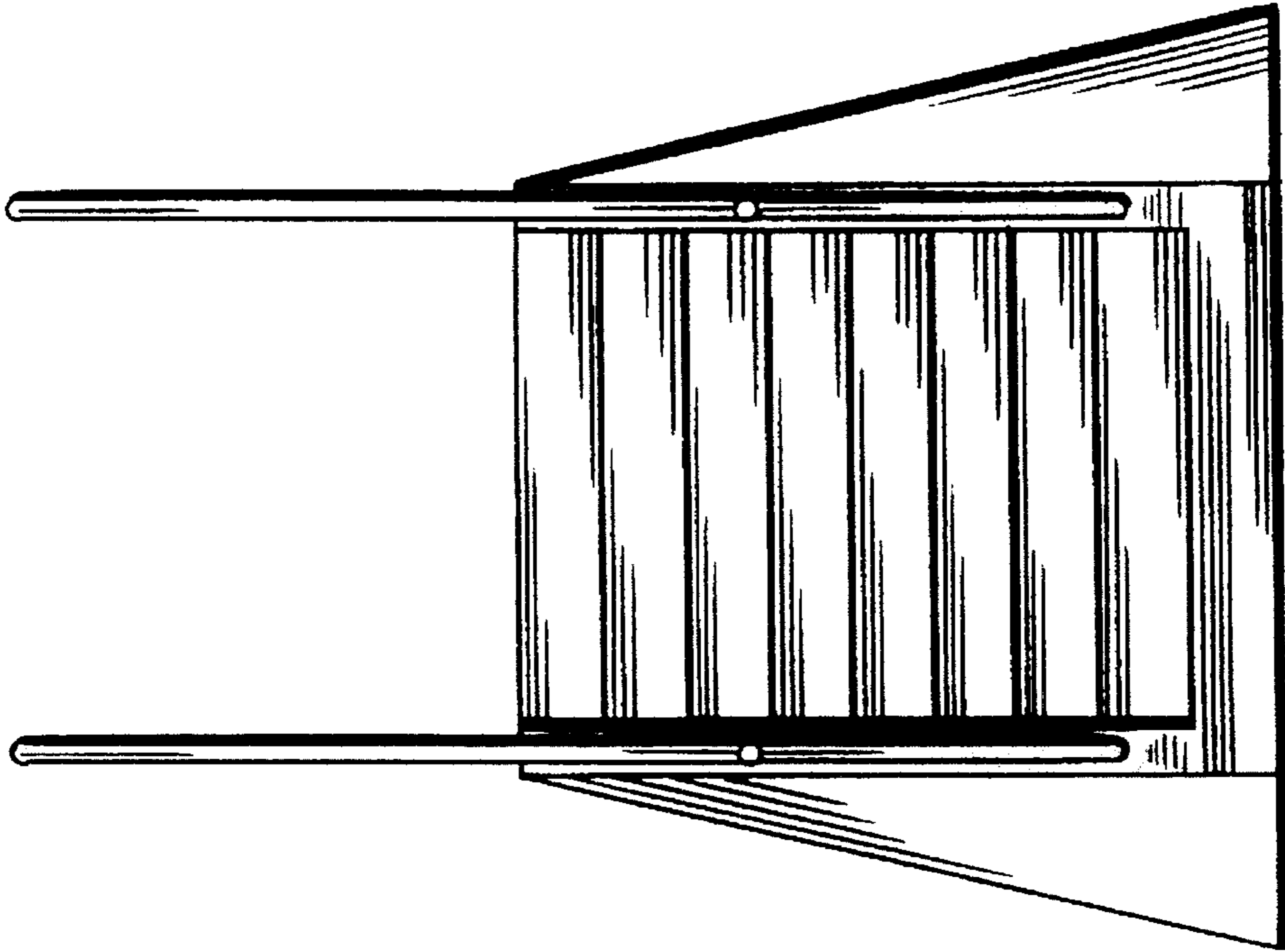


FIG. 4

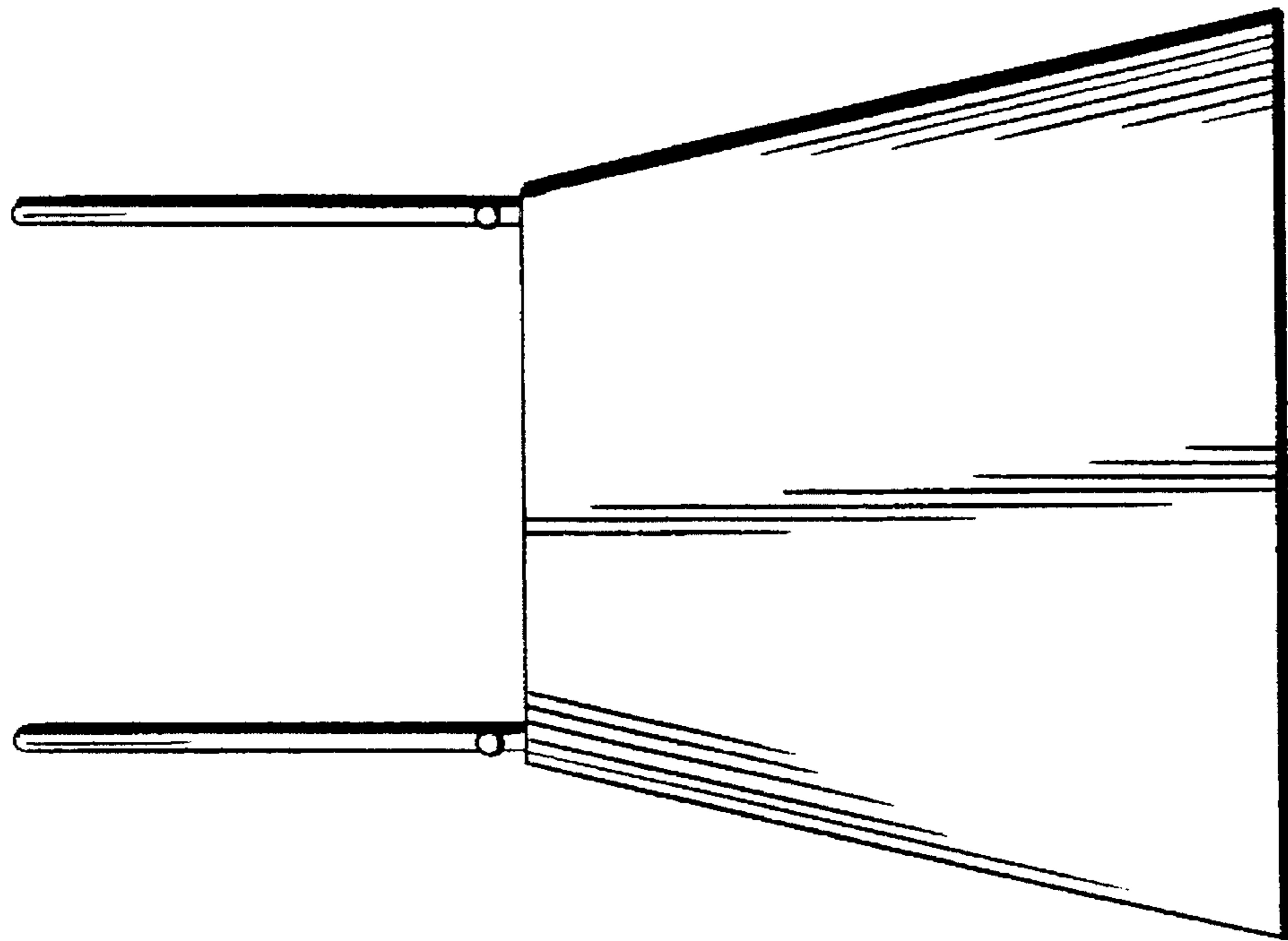


FIG. 1

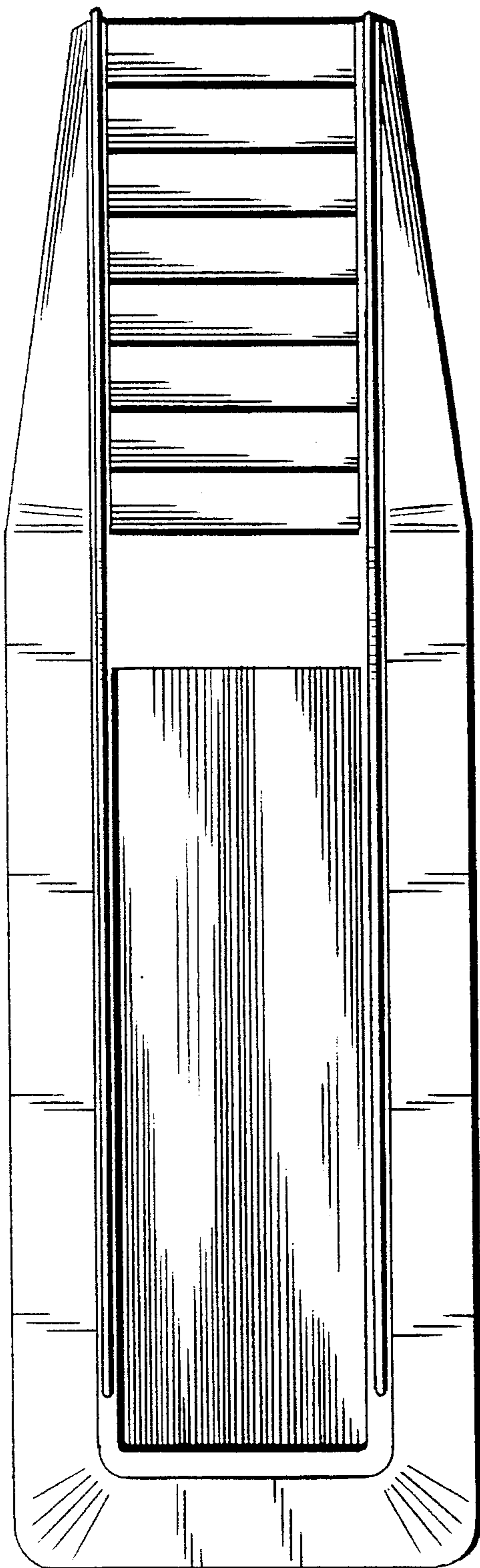


FIG. 2

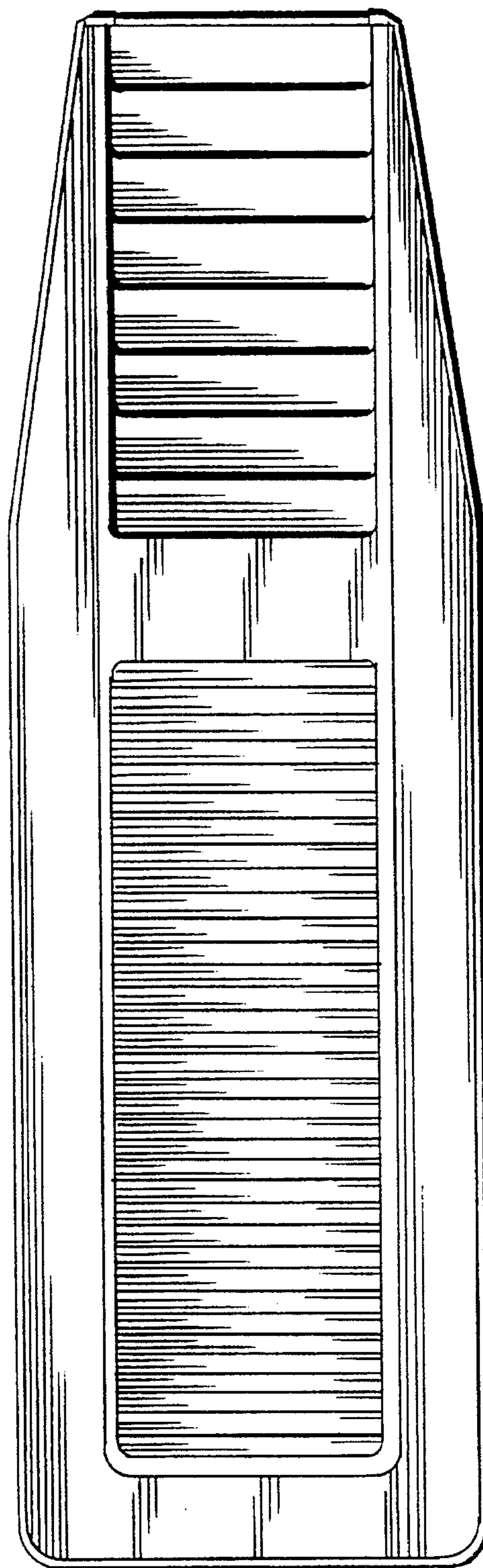


FIG. 3

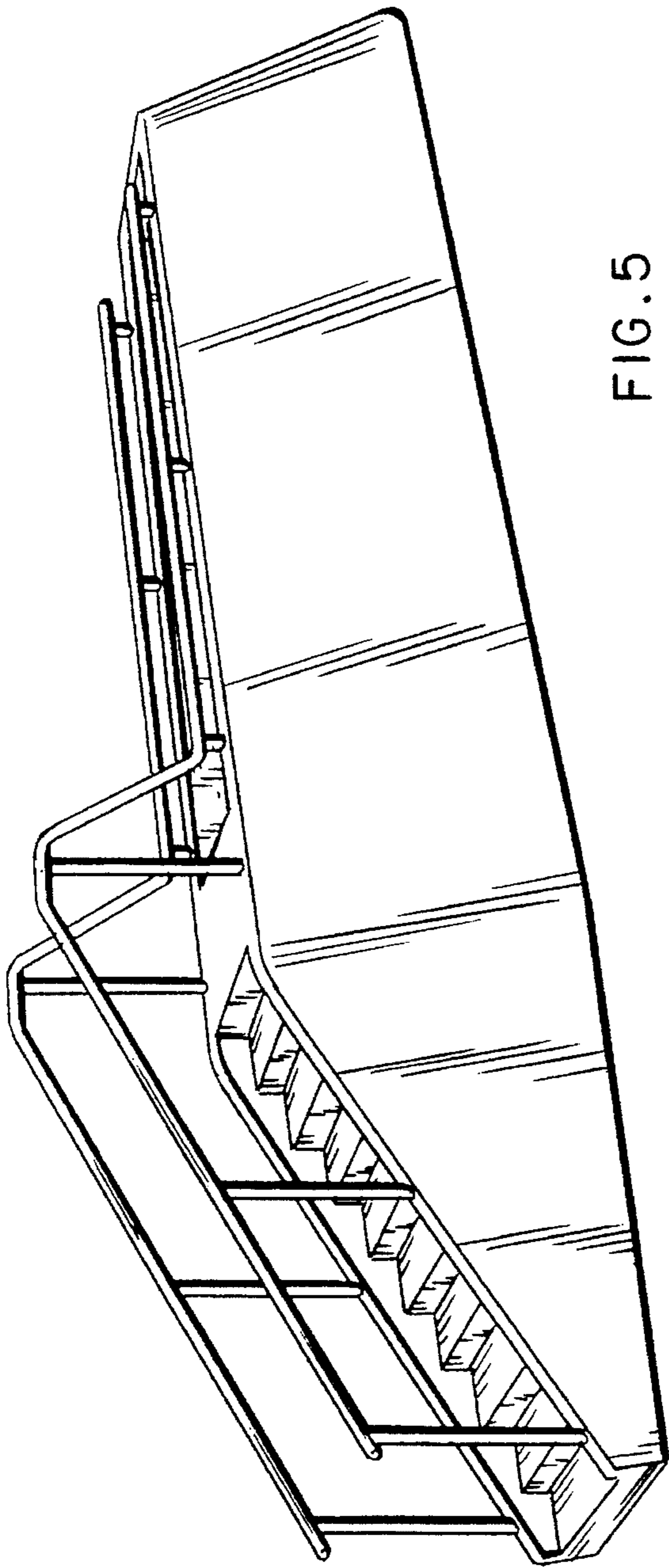


FIG. 5

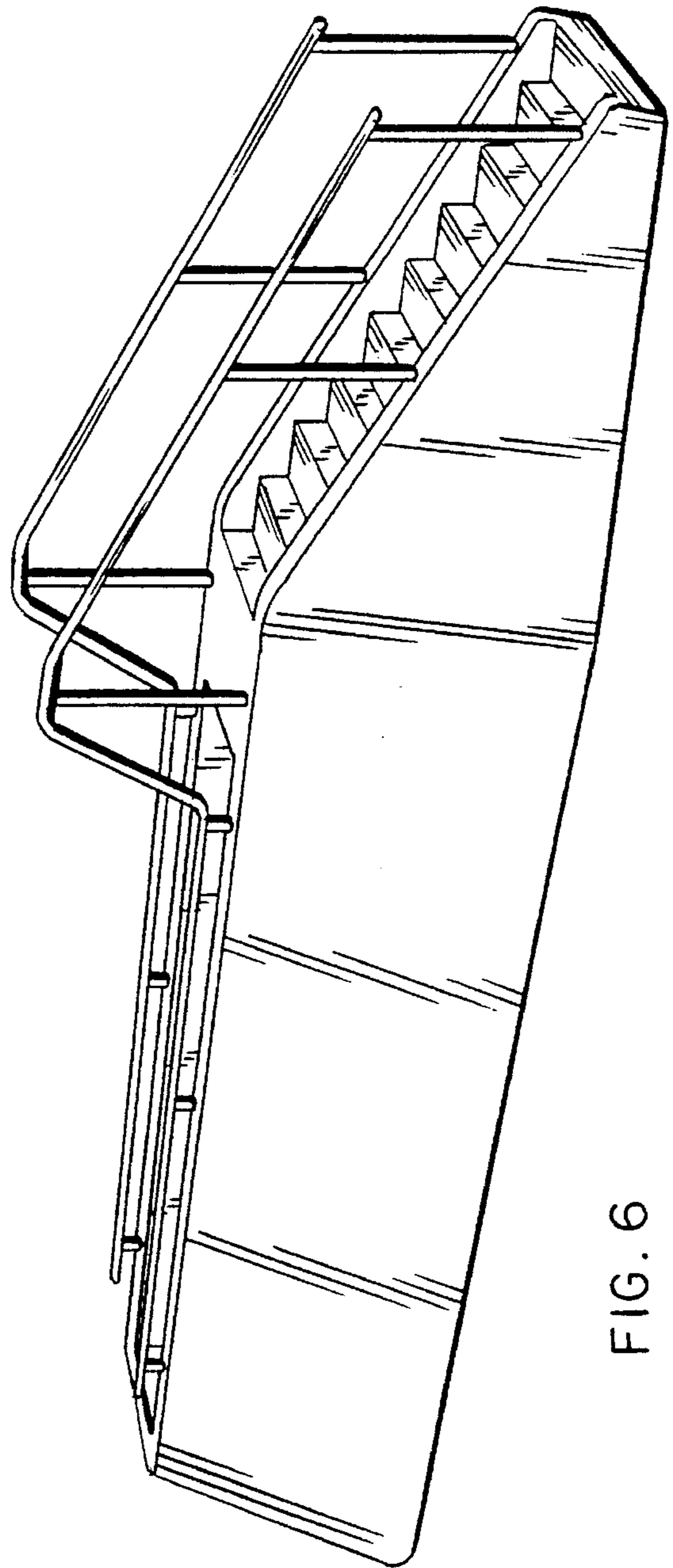


FIG. 6