



US00D370502S

United States Patent [19]

[11] Patent Number: **Des. 370,502**

Nye

[45] Date of Patent: ****Jun. 4, 1996**

[54] **TOY GLIDER**

[76] Inventor: **Timothy E. Nye**, 4517 Clearbrook La., Kensington, Md. 20895-4118

[**] Term: **14 Years**

[21] Appl. No.: **35,537**

[22] Filed: **Mar. 1, 1995**

[52] U.S. Cl. **D21/87; D21/88; D21/89**

[58] Field of Search **D21/87, 88, 89; D12/319; 446/34, 61, 397; 244/16**

[56] **References Cited**

U.S. PATENT DOCUMENTS

- D. 161,473 1/1951 Latina .
- D. 202,149 8/1965 Burnelli .
- D.203,283 12/1965 Woods .
- D. 265,329 7/1982 Craig .
- D. 279,914 7/1985 Solomon, Jr. D21/88 X
- D. 291,215 8/1987 Arata .
- D. 309,164 7/1990 Antonucci .
- D. 326,255 5/1992 Graham .
- 2,298,425 10/1942 Shaffer 446/61
- 3,362,659 1/1968 Razak .

- 3,526,989 7/1970 Wallace .
- 4,033,526 7/1977 Benson .
- 4,160,339 7/1979 Dankman et al. 446/397 X
- 5,013,277 5/1991 Hufeld 446/61 X

OTHER PUBLICATIONS

Corel Draw; Clip Art; "Expr-blk".
Corel Draw; Clip Art; "EXDRT1".

Primary Examiner—Dominic Simone

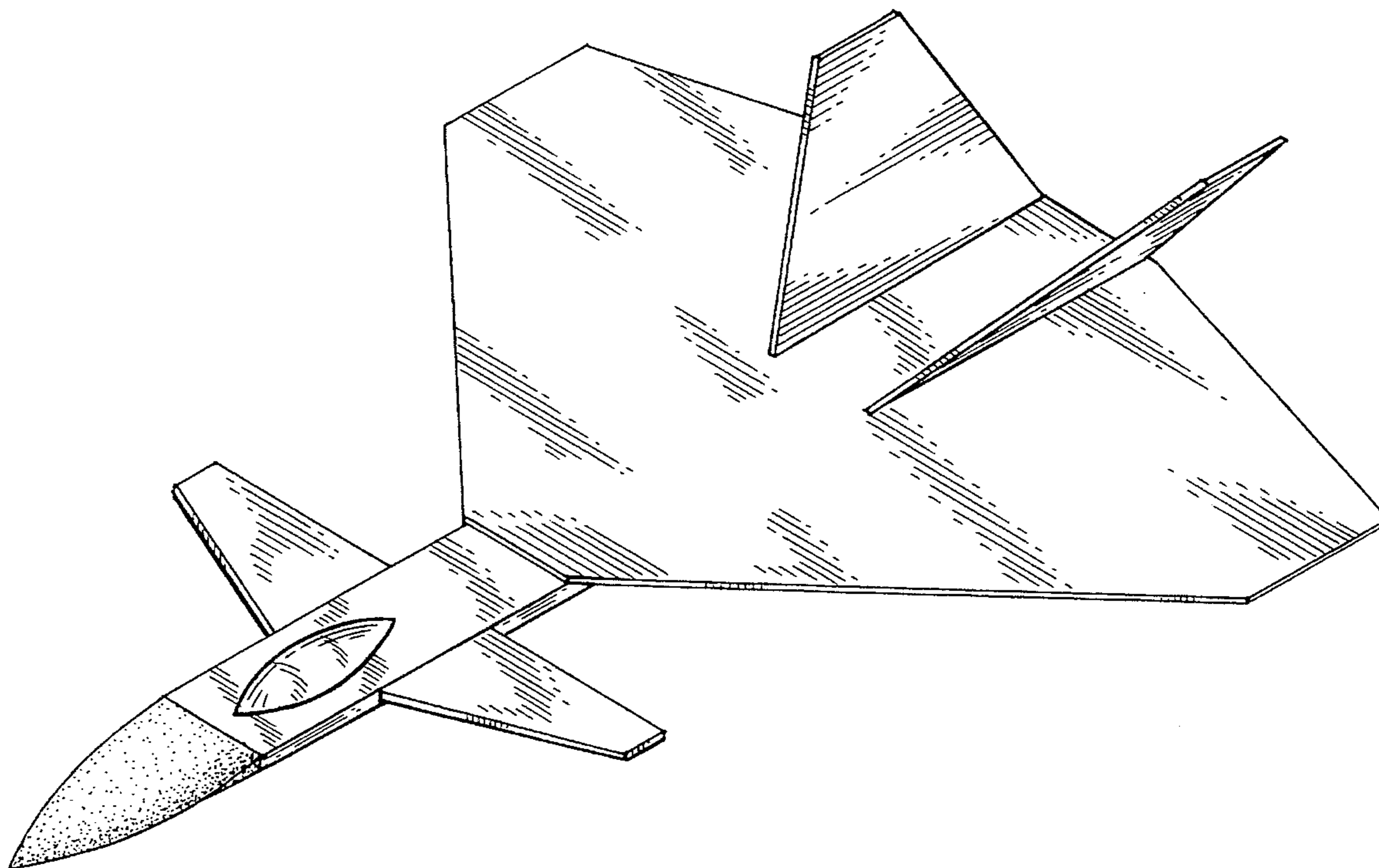
[57] **CLAIM**

The ornamental design for a toy glider, as shown and described.

DESCRIPTION

FIG. 1 is a perspective view of a toy glider showing my new design;
 FIG. 2 is a front elevation view thereof;
 FIG. 3 is a rear elevation view thereof;
 FIG. 4 is a top plan view thereof;
 FIG. 5 is a bottom plan view thereof; and,
 FIG. 6 is a side elevation view thereof, the opposite side thereof being a mirror image.

1 Claim, 3 Drawing Sheets



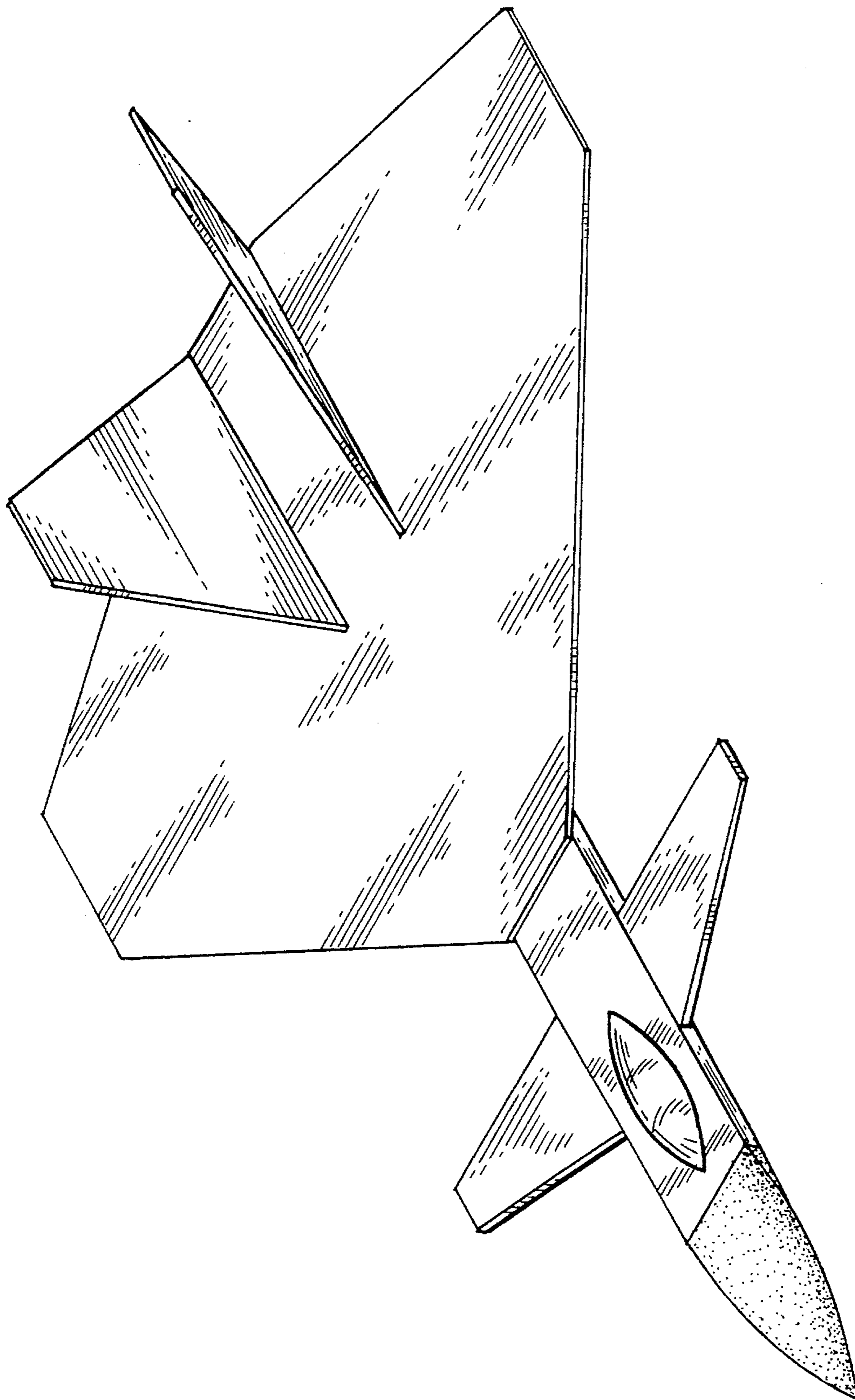


FIG. 1

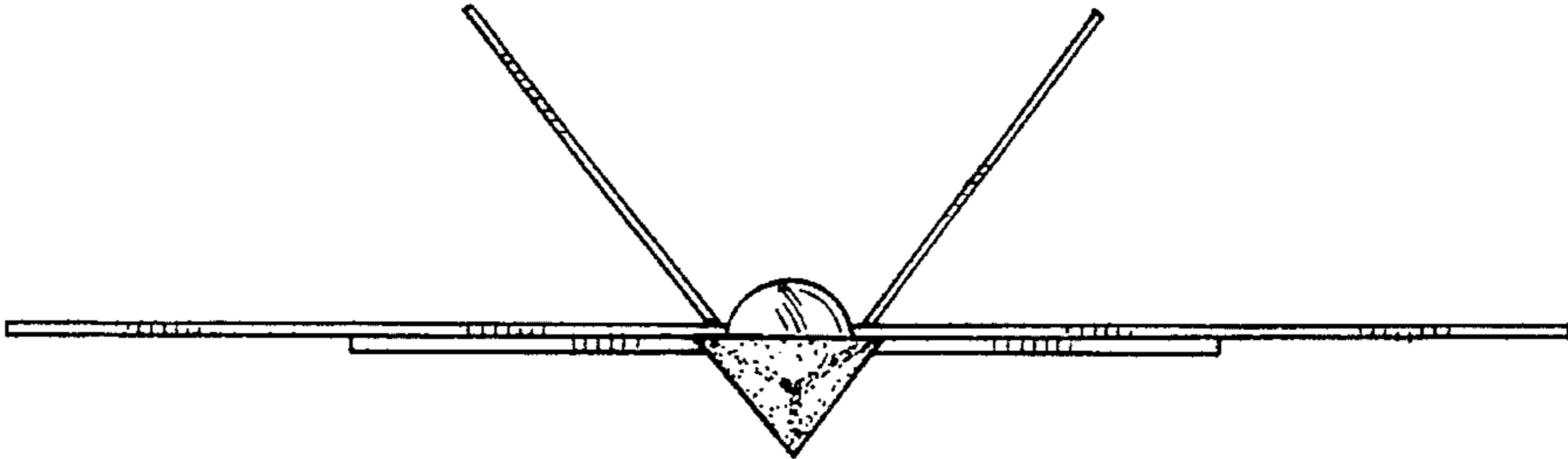


FIG. 2

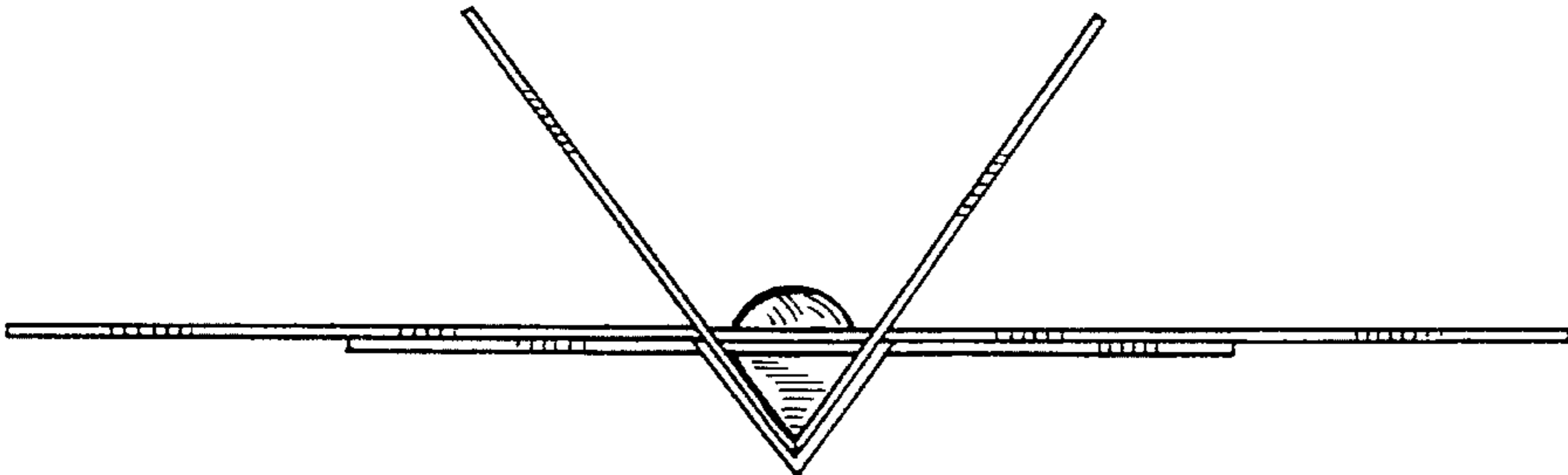


FIG. 3

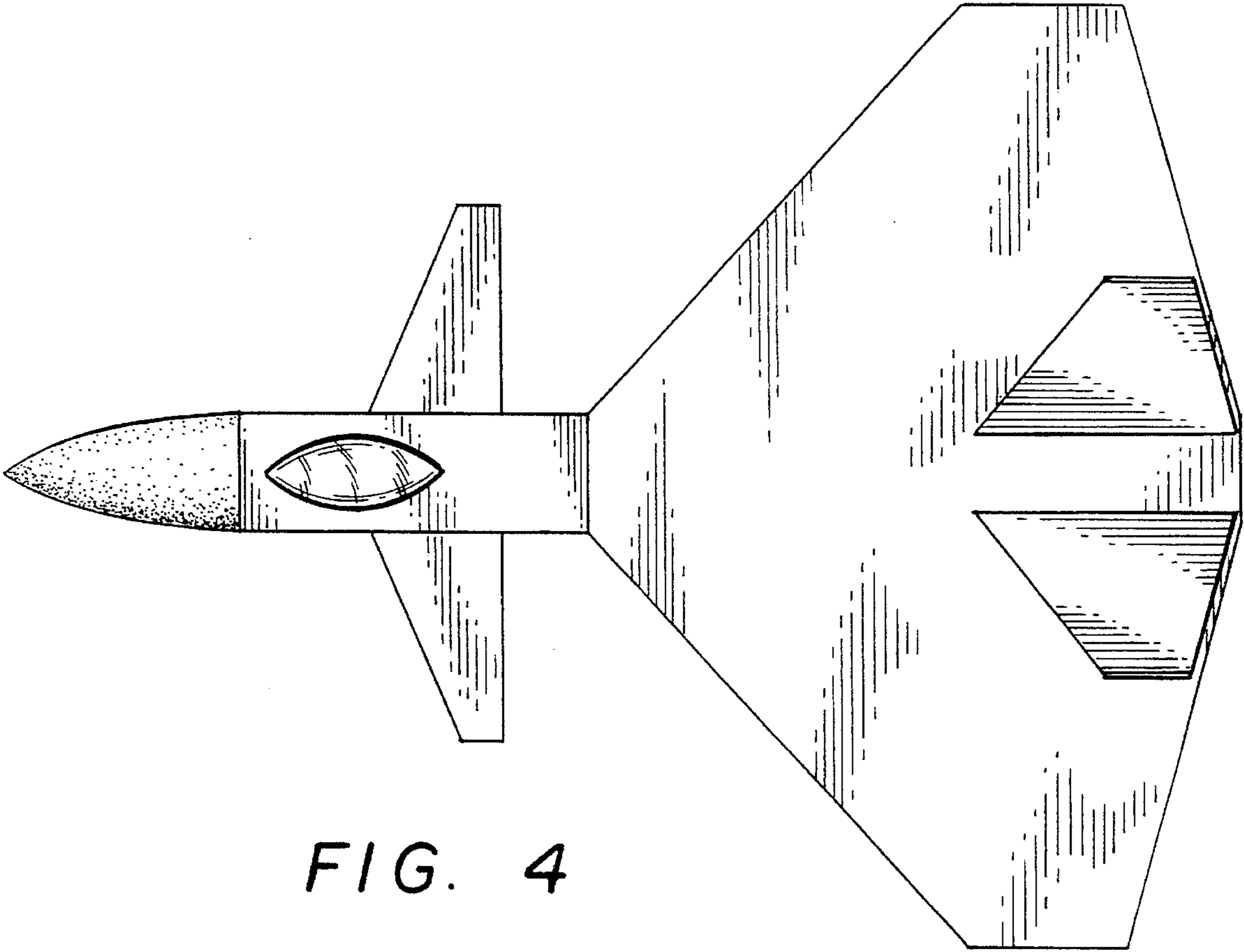


FIG. 4

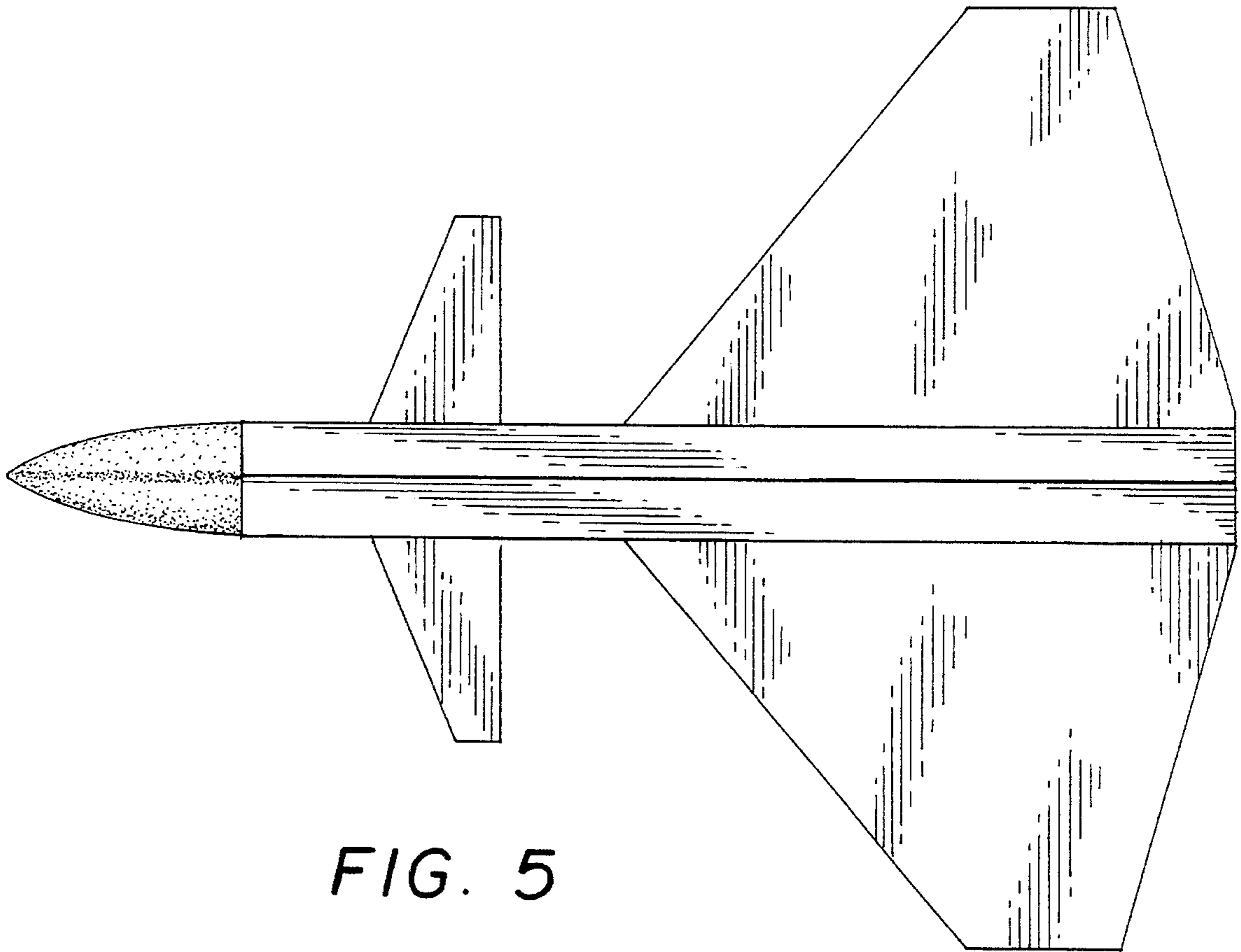


FIG. 5

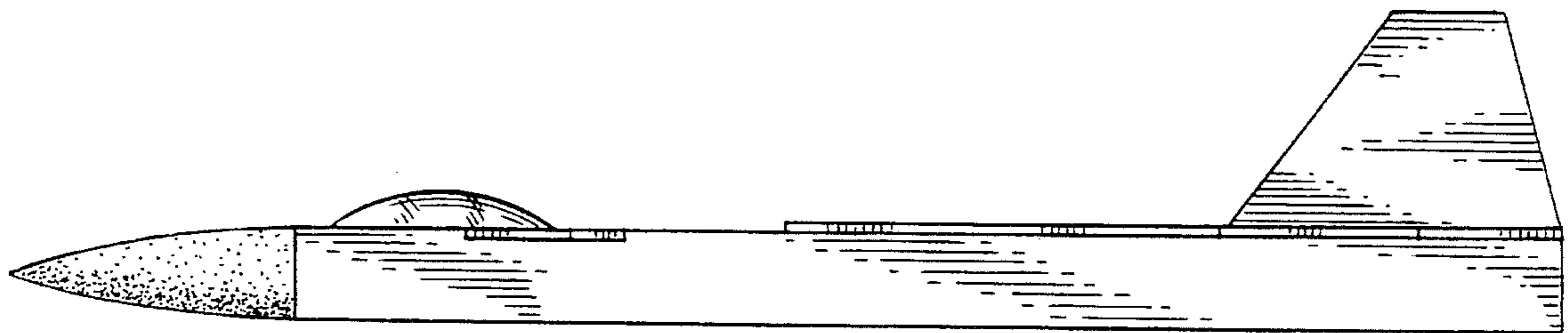


FIG. 6