



US00D370501S

United States Patent [19]

Raviv et al.

[11] Patent Number: **Des. 370,501**

[45] Date of Patent: ****Jun. 4, 1996**

[54] **ELECTRONIC GAME CONTROL HOUSING**

[75] Inventors: **Roni Raviv, Nes-Ziona; Omri Rothschild, Tel Aviv, both of Israel**

[73] Assignee: **Tiger Electronics, Inc., Vernon Hills, Ill.**

[**] Term: **14 Years**

[21] Appl. No.: **33,611**

[22] Filed: **Jan. 17, 1995**

[52] U.S. Cl. **D21/48**

[58] Field of Search D21/1, 13, 48;
473/148 B, 433-438, DIG. 28; D14/126,
218, 217, 239

[56] **References Cited**

U.S. PATENT DOCUMENTS

D. 347,864	6/1994	Duong	D21/48
D. 353,410	12/1994	Chan	D21/48
D. 359,992	7/1995	Chan	D21/48
D. 360,436	7/1995	Chan	D21/48
5,095,798	3/1992	Okada et al. .	
5,161,803	11/1992	Ohara .	

5,184,830	2/1993	Okada et al. .
5,213,327	5/1993	Kitaue .
5,217,295	6/1993	Tortola et al. .

OTHER PUBLICATIONS

Hong Kong Enterprise, Oct. 1992, p. 174 Wondermega.

Primary Examiner—Prabhakar G. Deshmukh
Attorney, Agent, or Firm—Fitch, Even, Tabin & Flannery

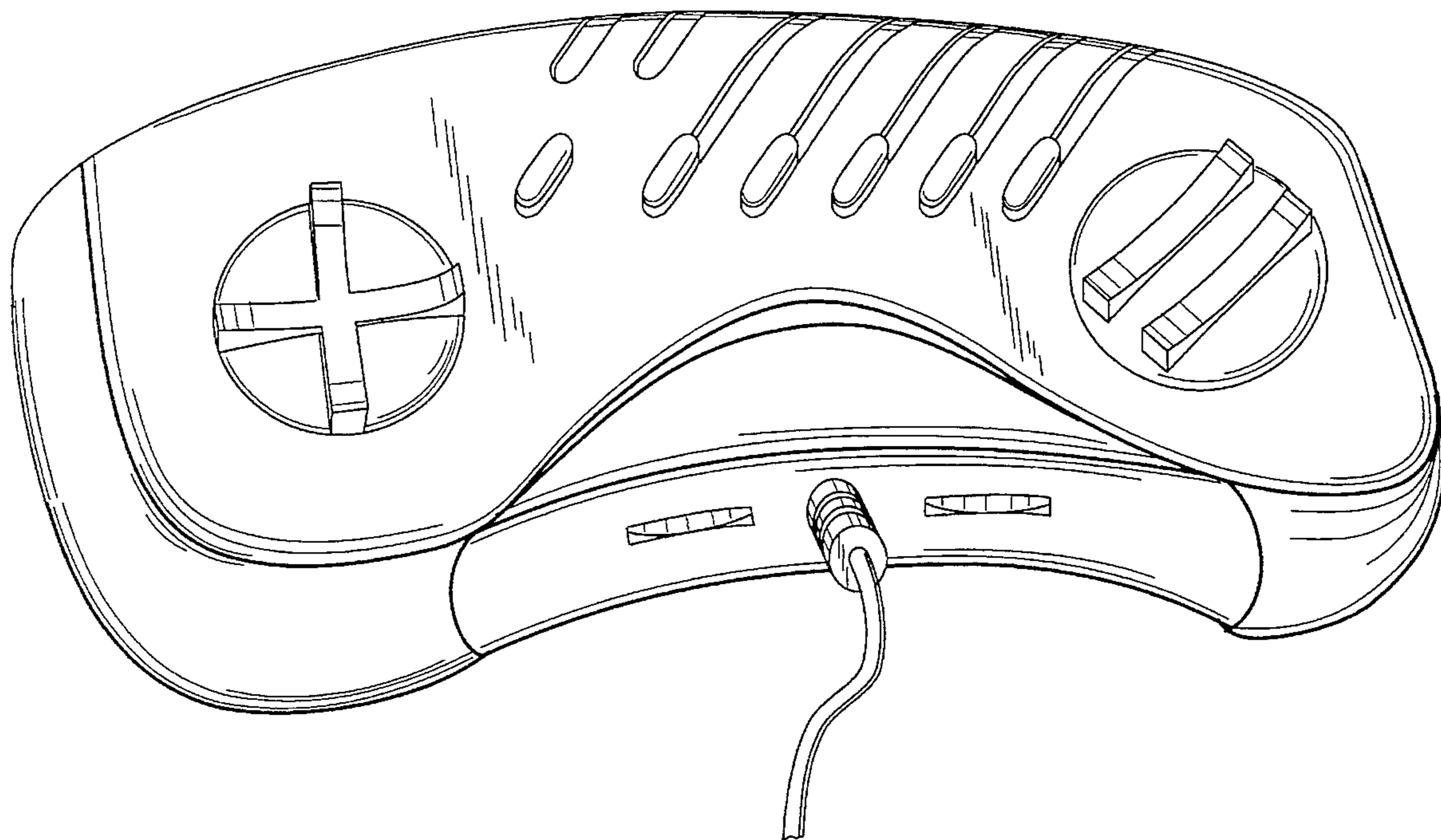
[57] **CLAIM**

The ornamental design for the electronic game control housing, as shown and described.

DESCRIPTION

FIG. 1 is a perspective view of an electronic game control housing showing our new design; FIG. 2 is a top plan view thereof; FIG. 3 is a bottom plan view thereof; FIG. 4 is a rear elevational view thereof; FIG. 5 is a front elevational view thereof; FIG. 6 is a right side view thereof; and, FIG. 7 is a left side view thereof.

1 Claim, 4 Drawing Sheets



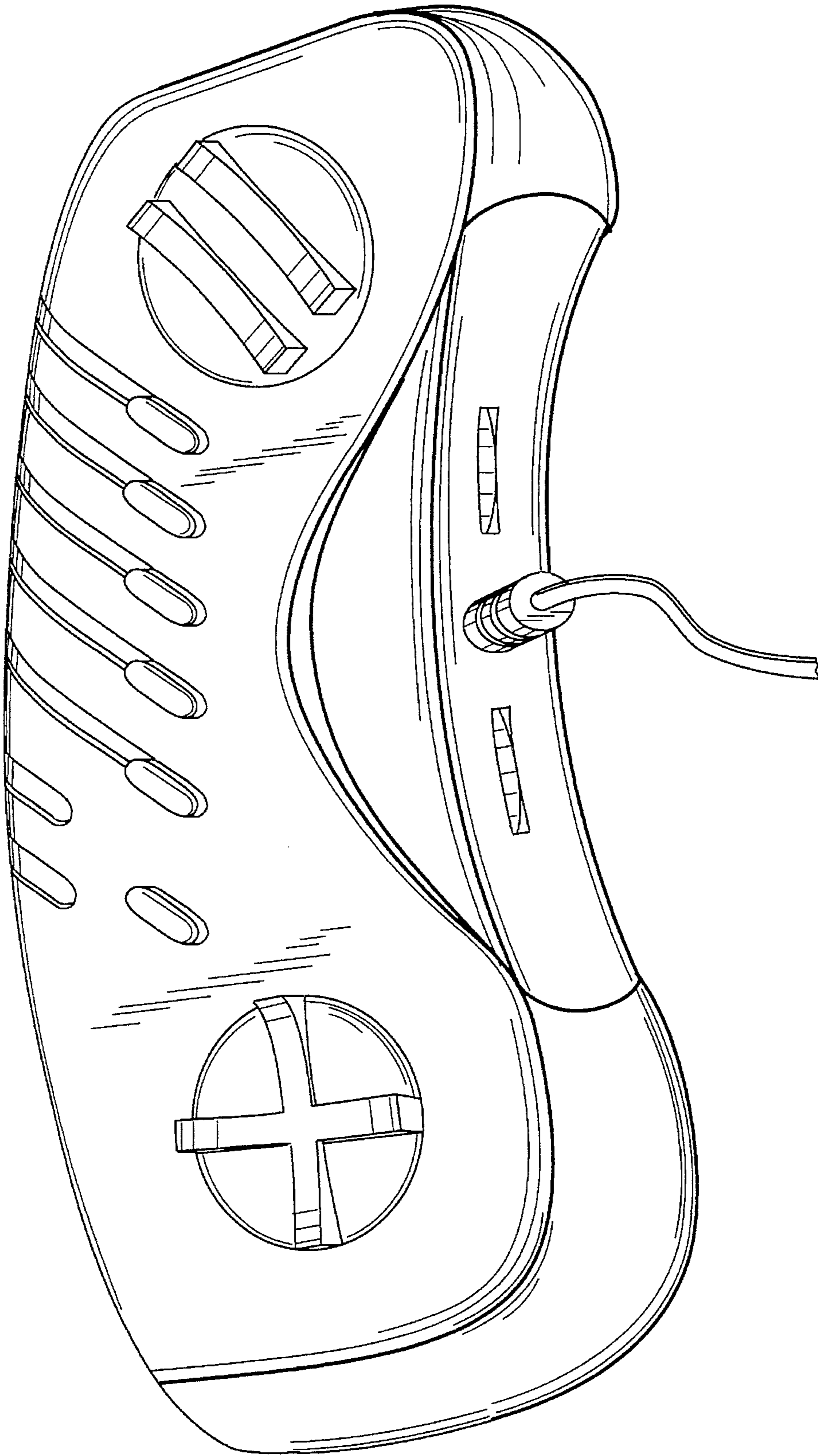


Fig. 1

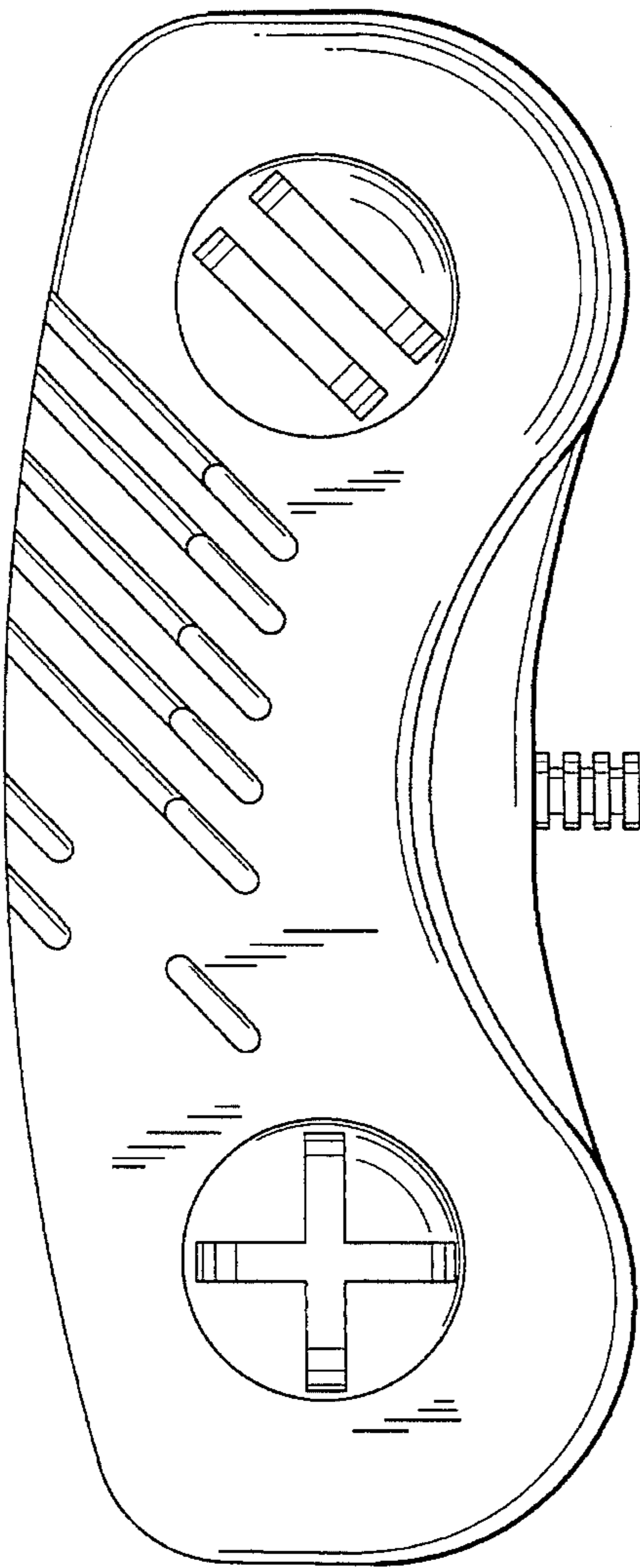


Fig. 2

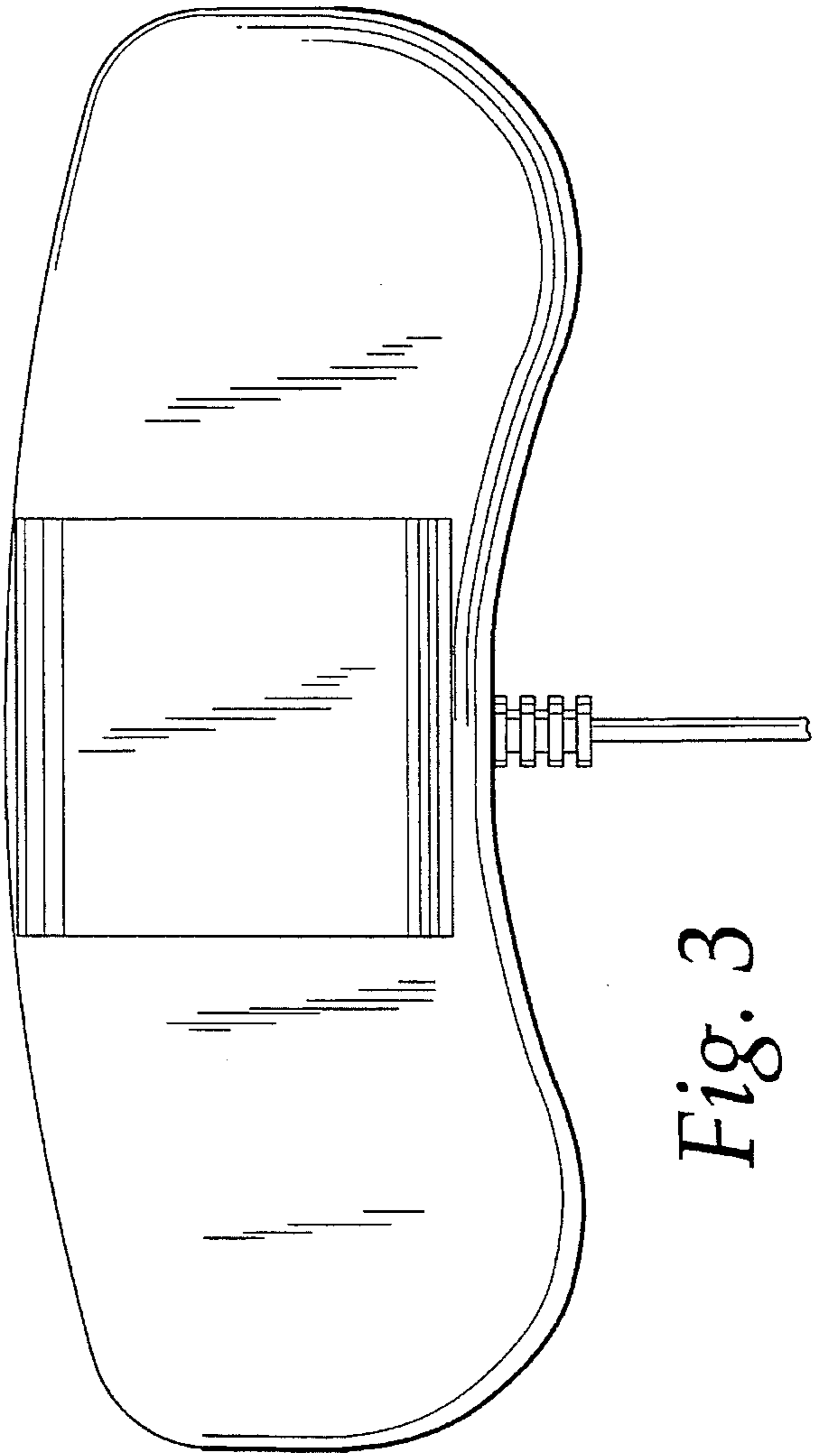


Fig. 3

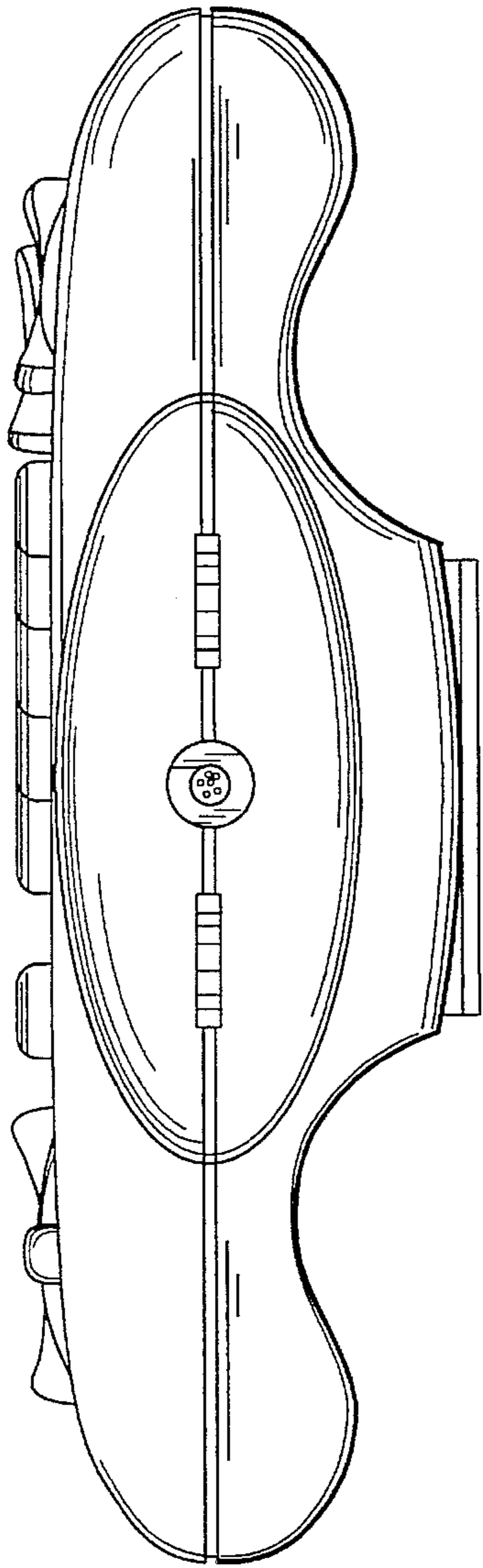


Fig. 4

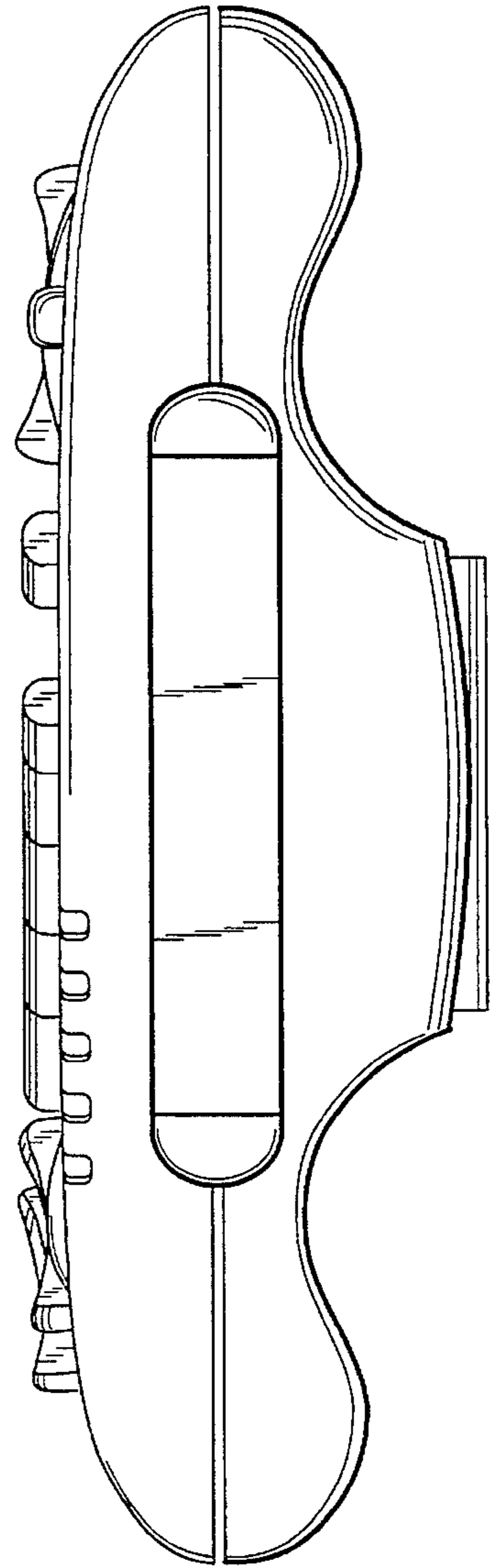


Fig. 5

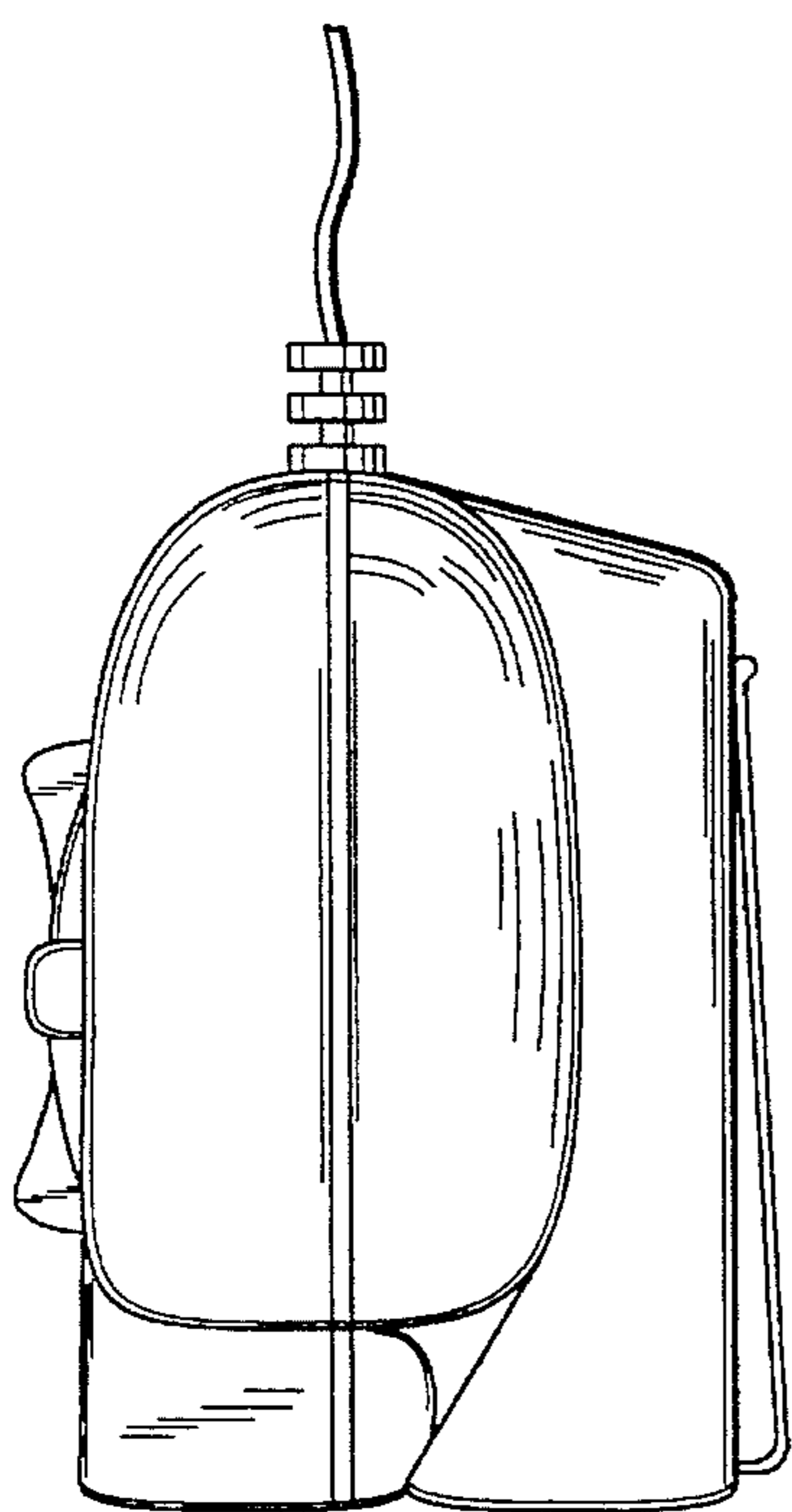


Fig. 6

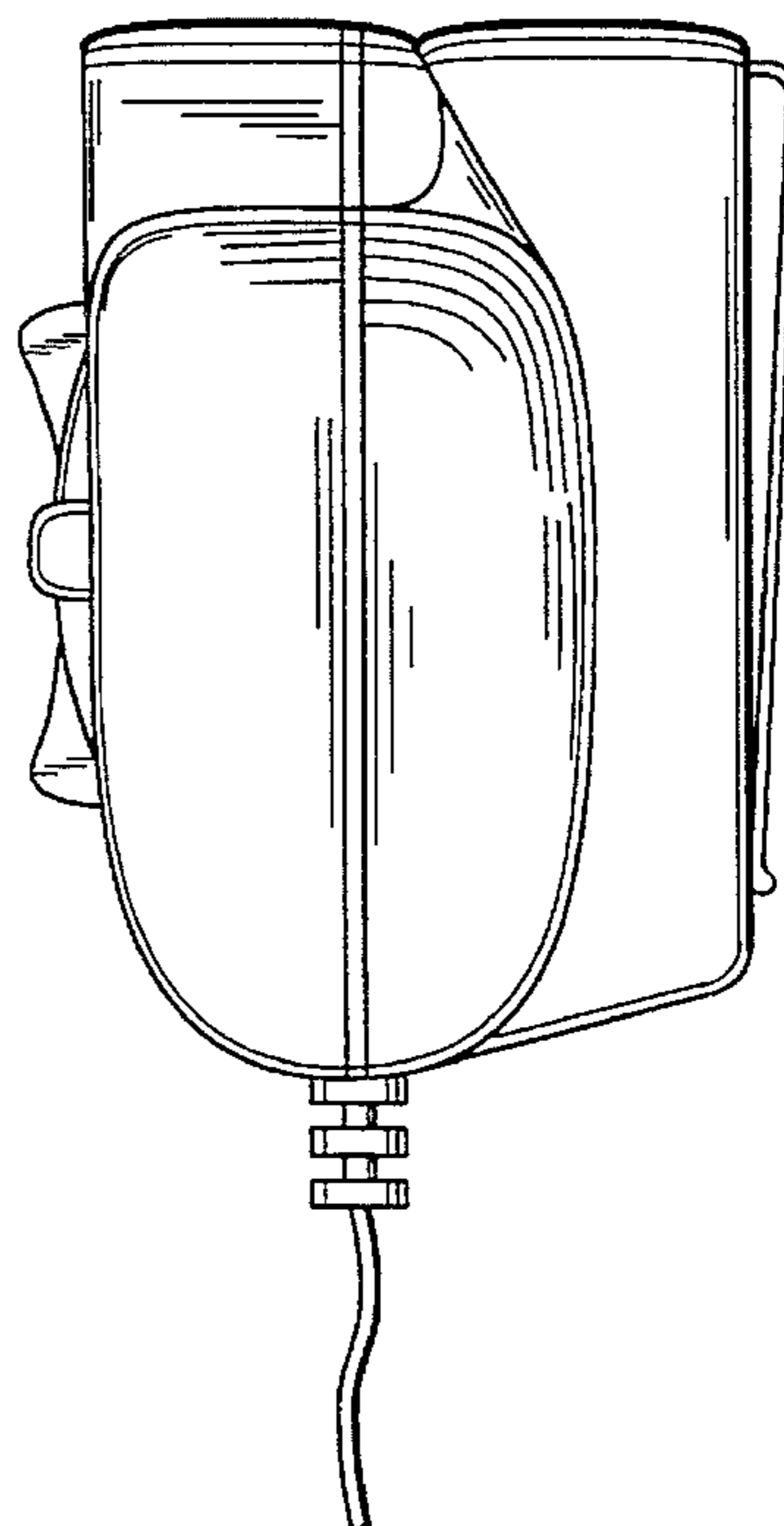


Fig. 7