



US00D370491S

United States Patent [19] Mori

[11] **Patent Number:** **Des. 370,491**
[45] **Date of Patent:** ****Jun. 4, 1996**

[54] **VIDEO CAMERA WITH VIDEO TAPE RECORDER**

[75] Inventor: **Masakazu Mori**, Ehime, Japan

[73] Assignee: **Matsushita Electric Industrial Co., Ltd.**, Osaka, Japan

[**] Term: **14 Years**

[21] Appl. No.: **36,166**

[22] Filed: **Mar. 14, 1995**

[30] Foreign Application Priority Data

Sep. 14, 1994 [JP] Japan 6-27979

[52] U.S. Cl. **D16/202**

[58] Field of Search D16/200-206,
D16/208; 438/373-376; 352/242, 243; 354/82,
288; 358/906; H04N 5/225

[56] References Cited

U.S. PATENT DOCUMENTS

D. 334,395	3/1993	Kurokawa	D16/202
D. 340,802	11/1993	Sekine	D16/205
D. 343,183	1/1994	Hong	D16/202
D. 361,582	8/1995	Sekine	D16/202
5,189,520	2/1993	Okayasu et al.	348/376

OTHER PUBLICATIONS

Video Magazine, Jan. 1993 p. 2 (Canon's UCS-3).
Victor Catalog, Apr, 1994 (cover page) Victor's GR-AX60.
Copy of catalog Canon "8mm Video Camcorder" of 1991.

Primary Examiner—Ted Shooman
Assistant Examiner—Adir Aronovich
Attorney, Agent, or Firm—Sughrue, Mion, Zinn, Macpeak & Seas

[57] CLAIM

The ornamental design for a video camera with video tape recorder, as shown and described.

DESCRIPTION

FIG. 1 is a perspective view of the top, front and right side of a video camera showing my new design;

FIG. 2 is a perspective view of the rear, top and left side thereof;

FIG. 3 is a right side elevational view thereof;

FIG. 4 is a top plan view thereof;

FIG. 5 is a bottom plan view thereof;

FIG. 6 is a front elevational view thereof;

FIG. 7 is a rear elevational view thereof;

FIG. 8 is a left side elevational view thereof; and,

FIG. 9 is a perspective view of the rear, top and left side of the video camera shown in FIG. 2 with the eye piece tilted 90°.

1 Claim, 4 Drawing Sheets

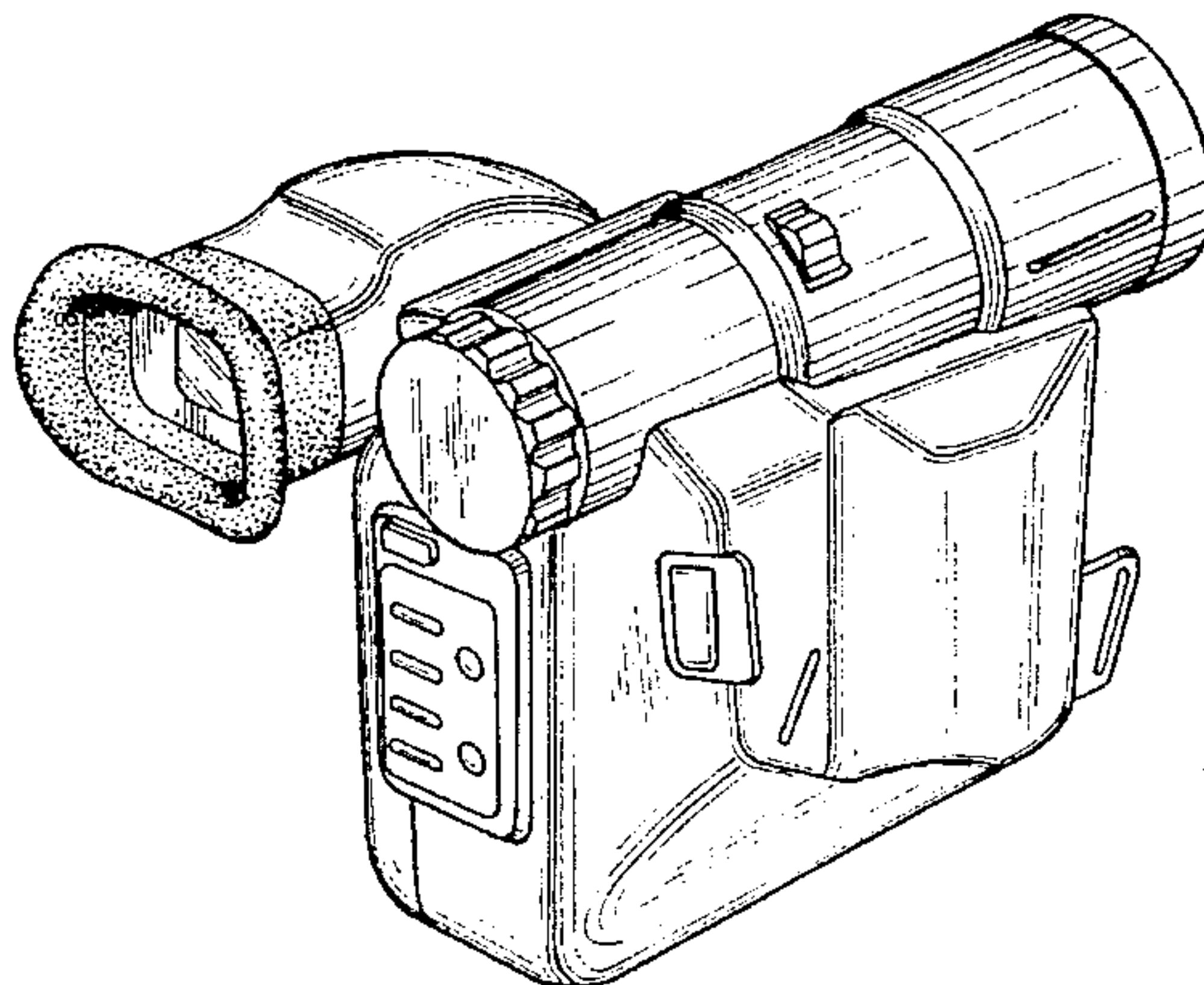
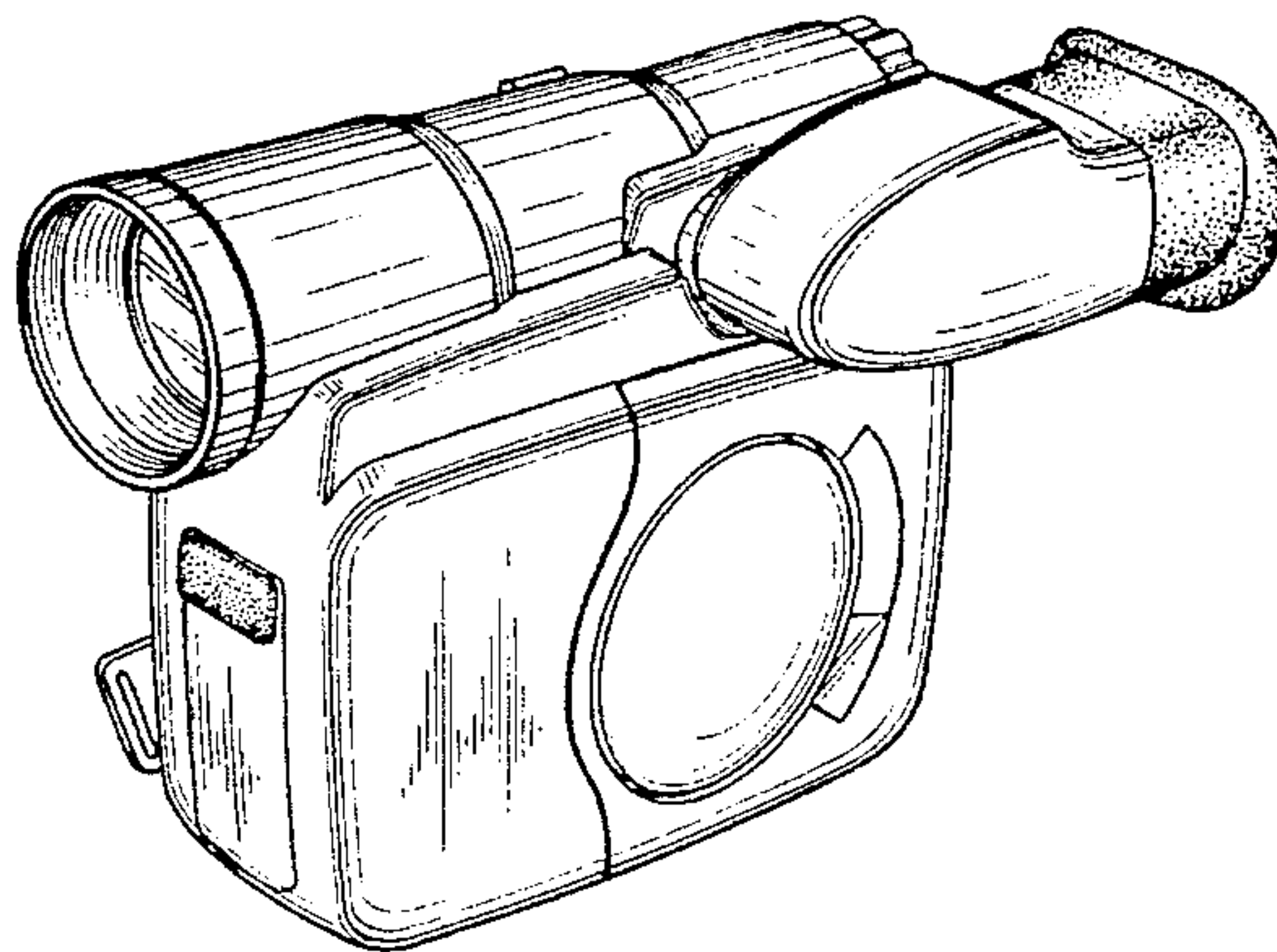


FIG. 1

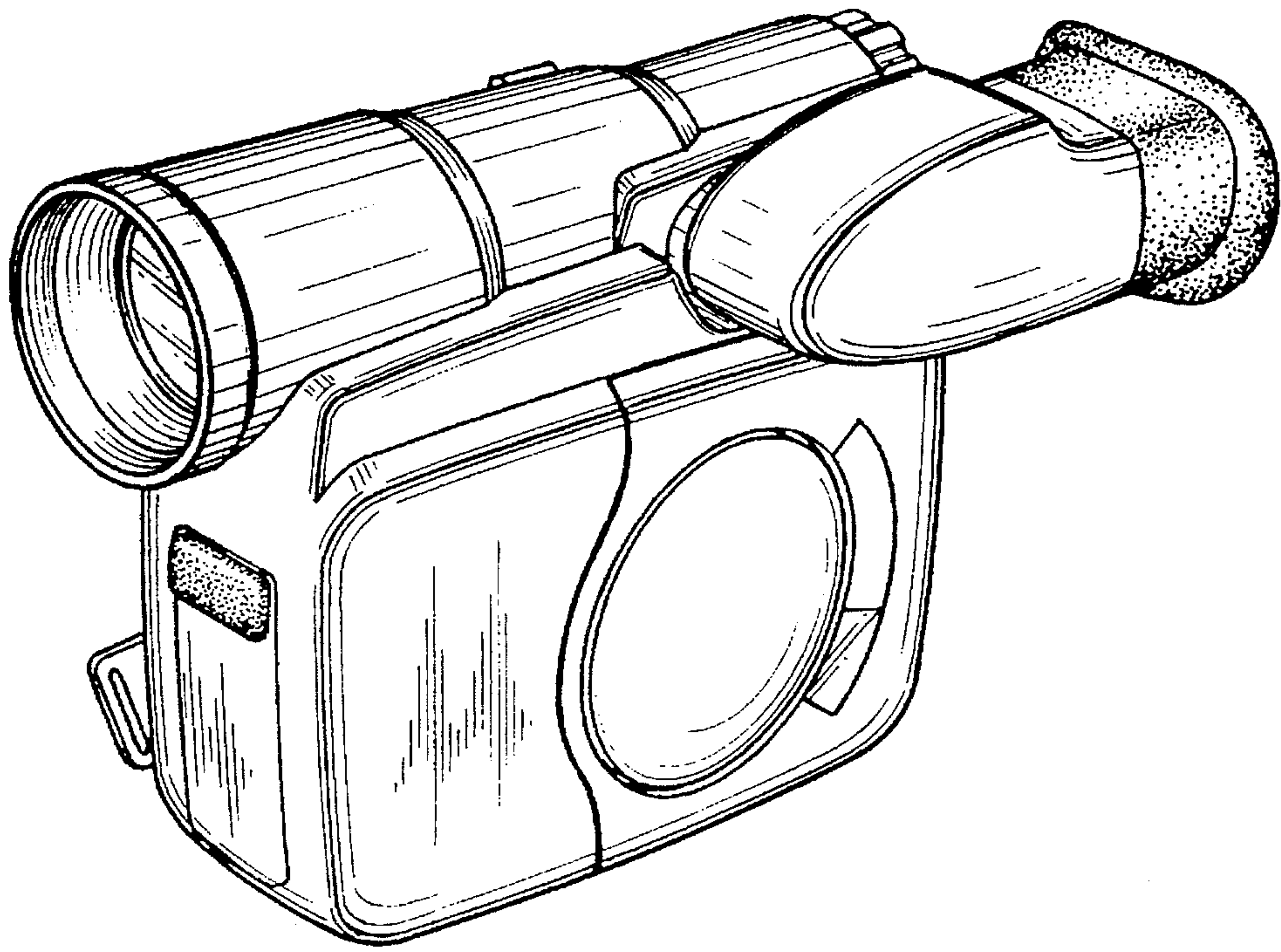


FIG. 2

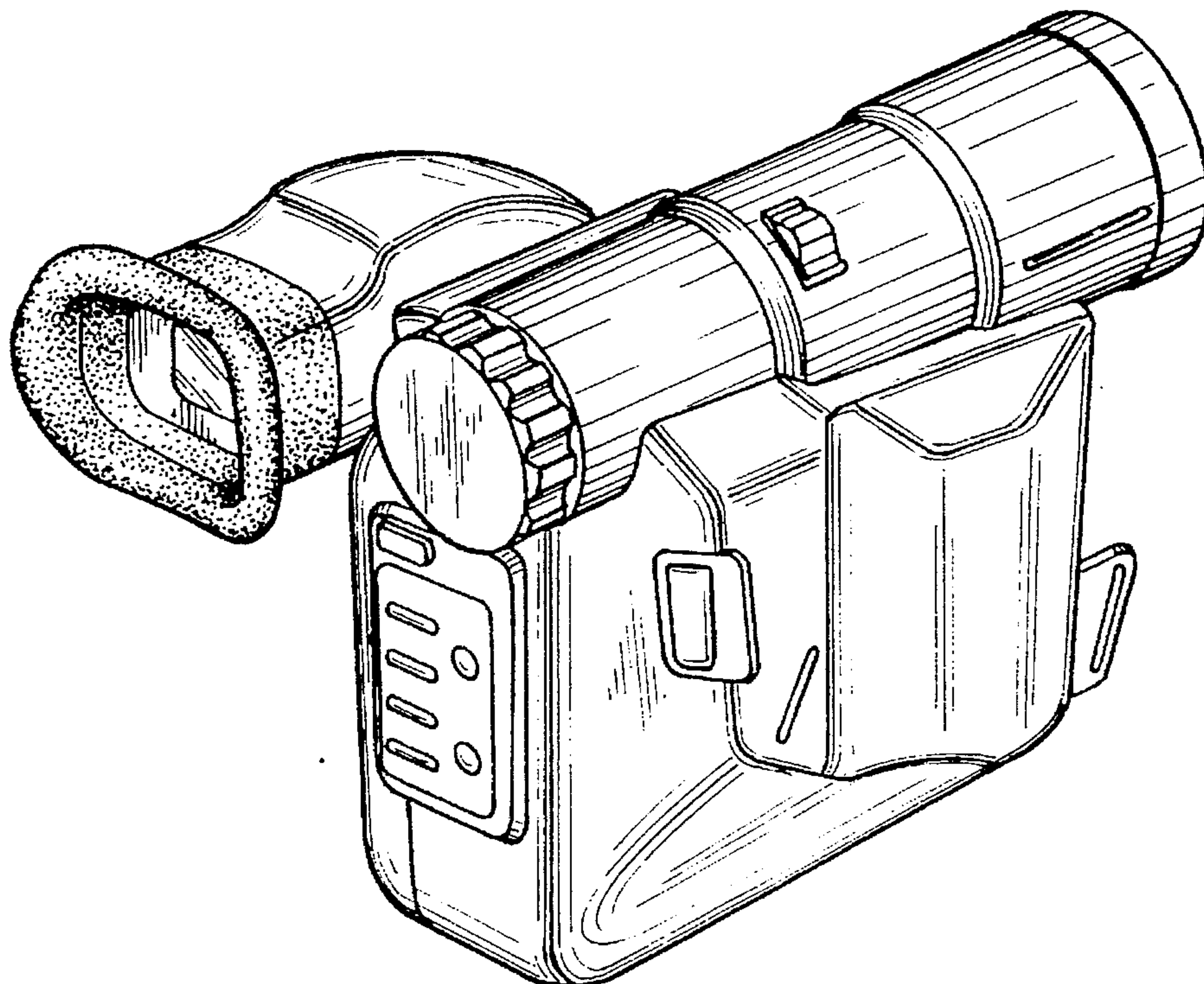


FIG. 3

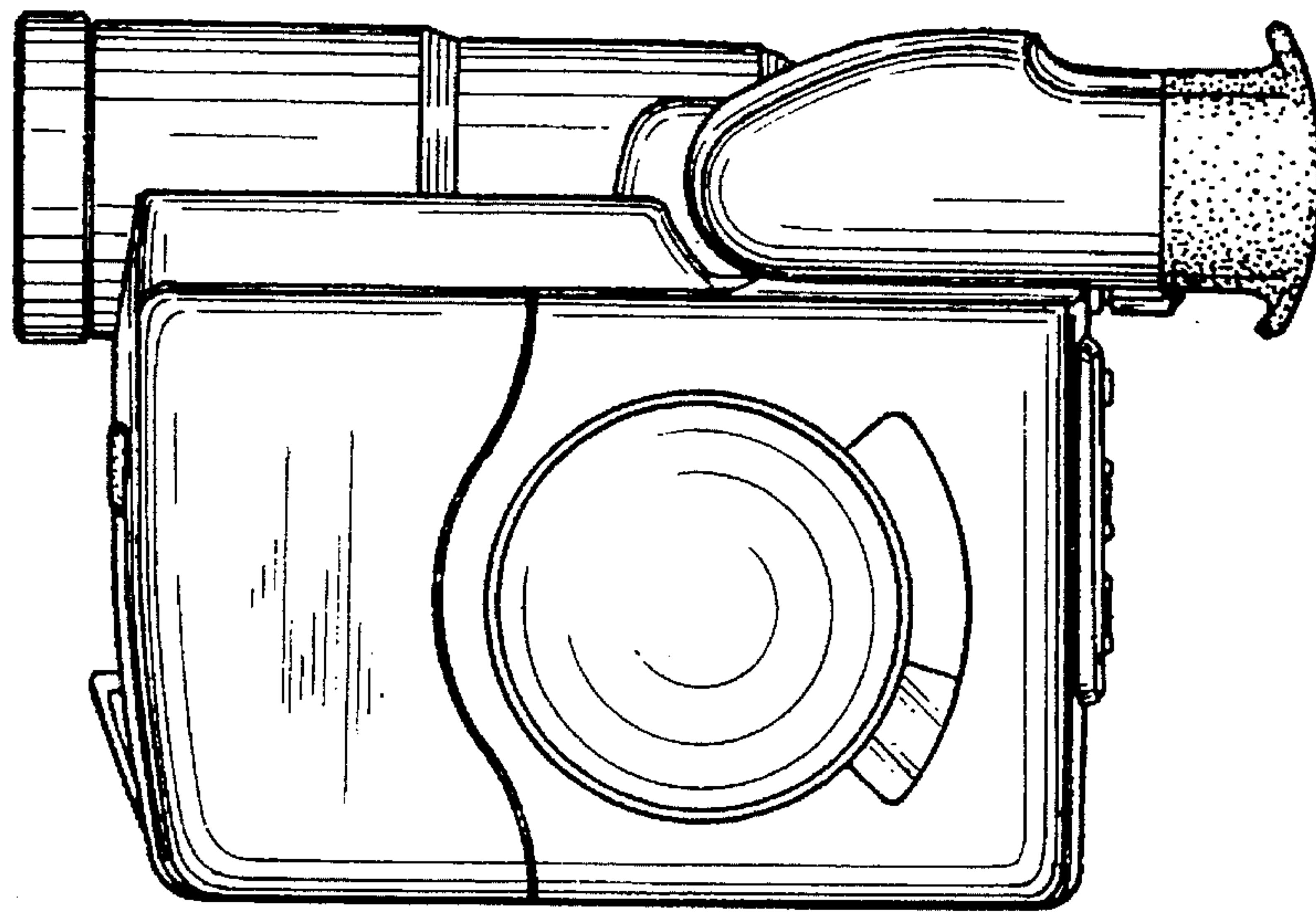


FIG. 4

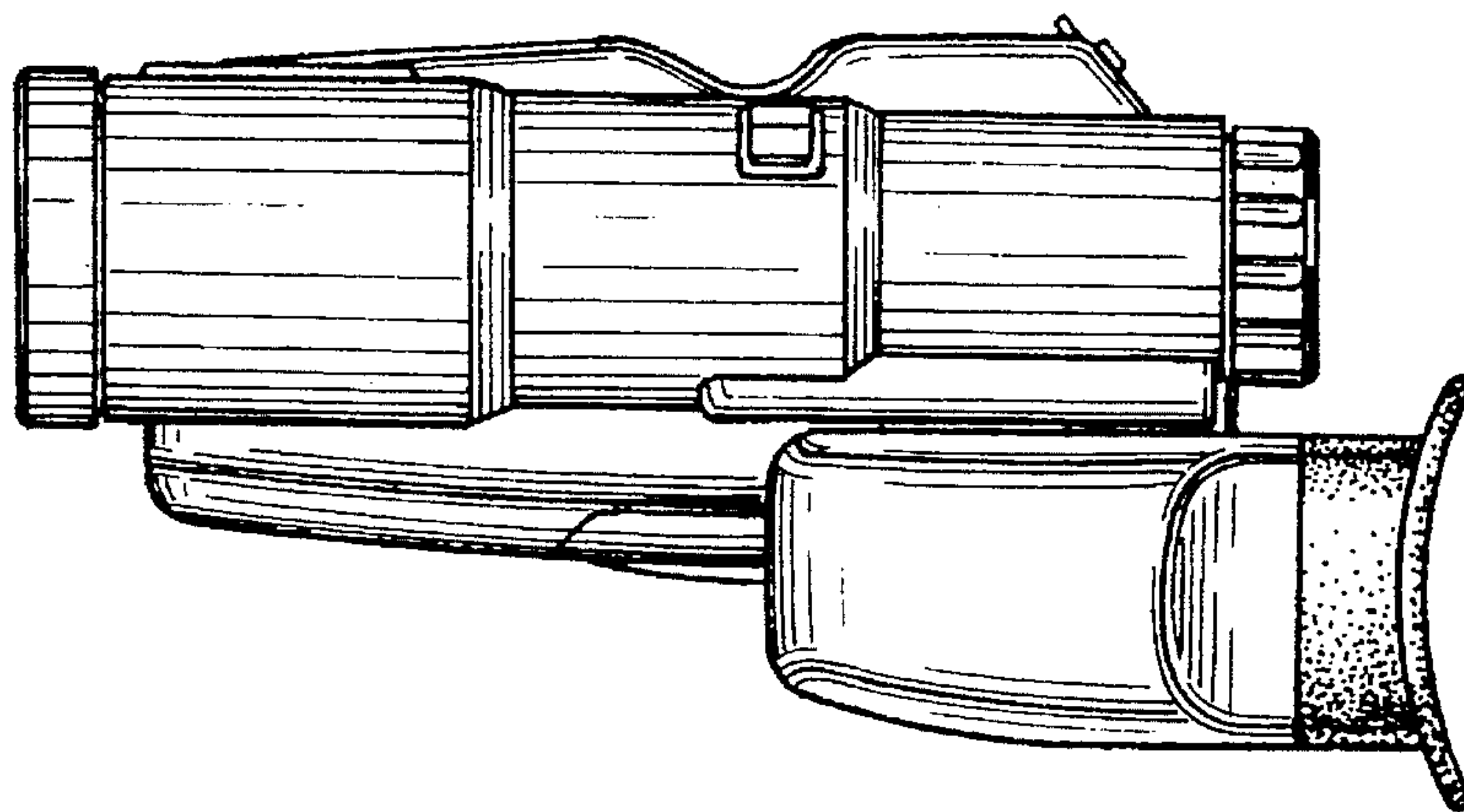


FIG. 5

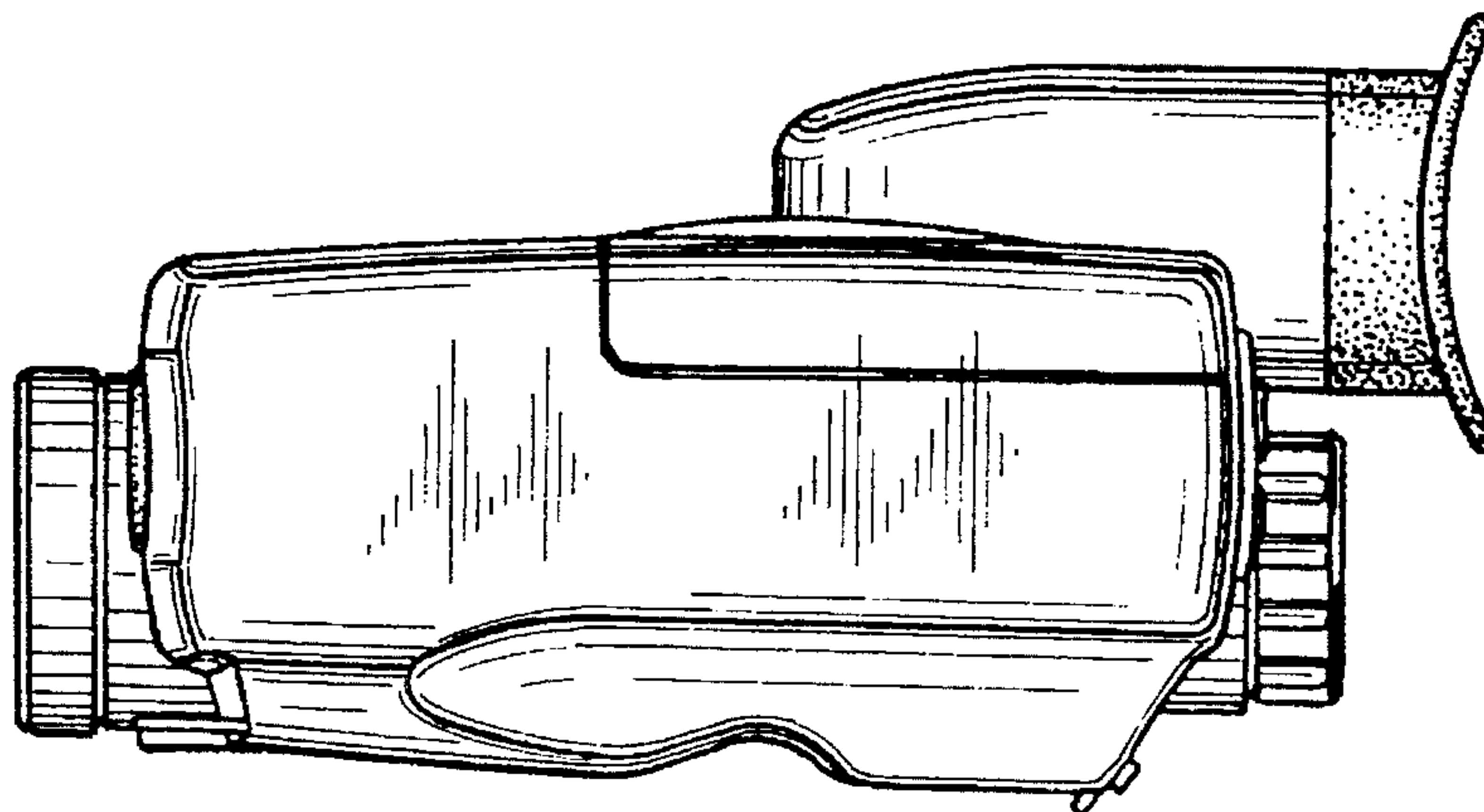


FIG. 6

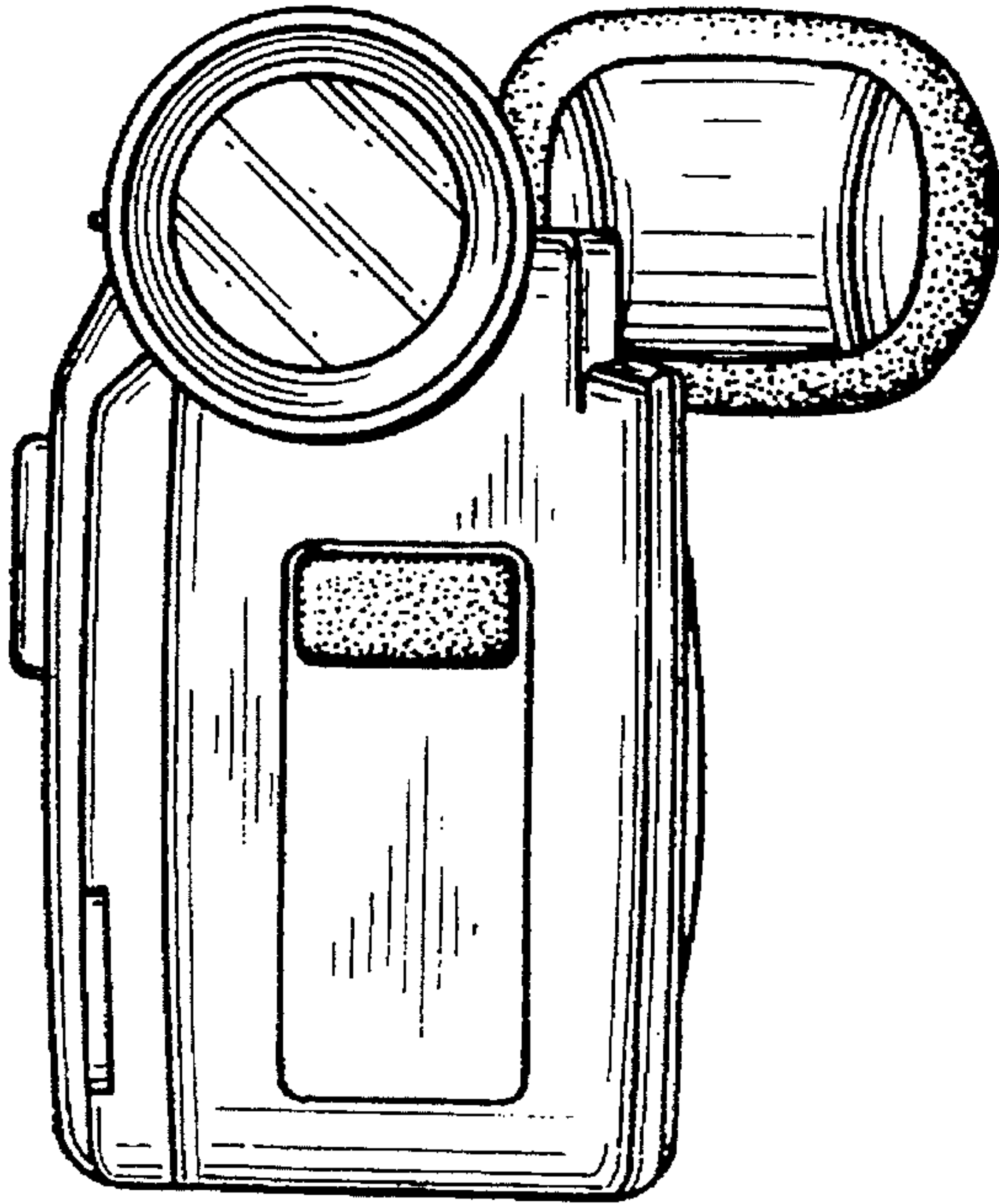


FIG. 7

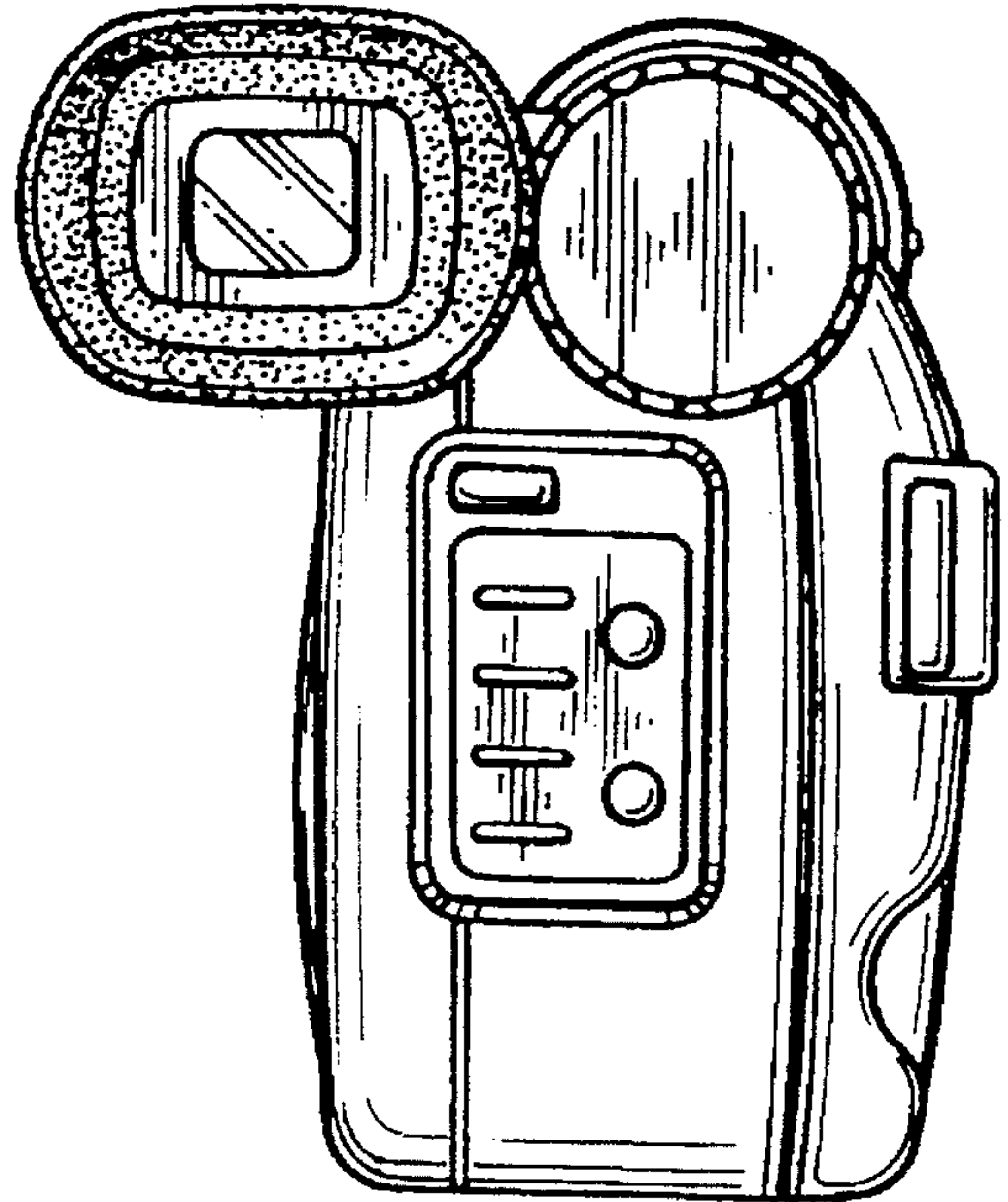


FIG. 8

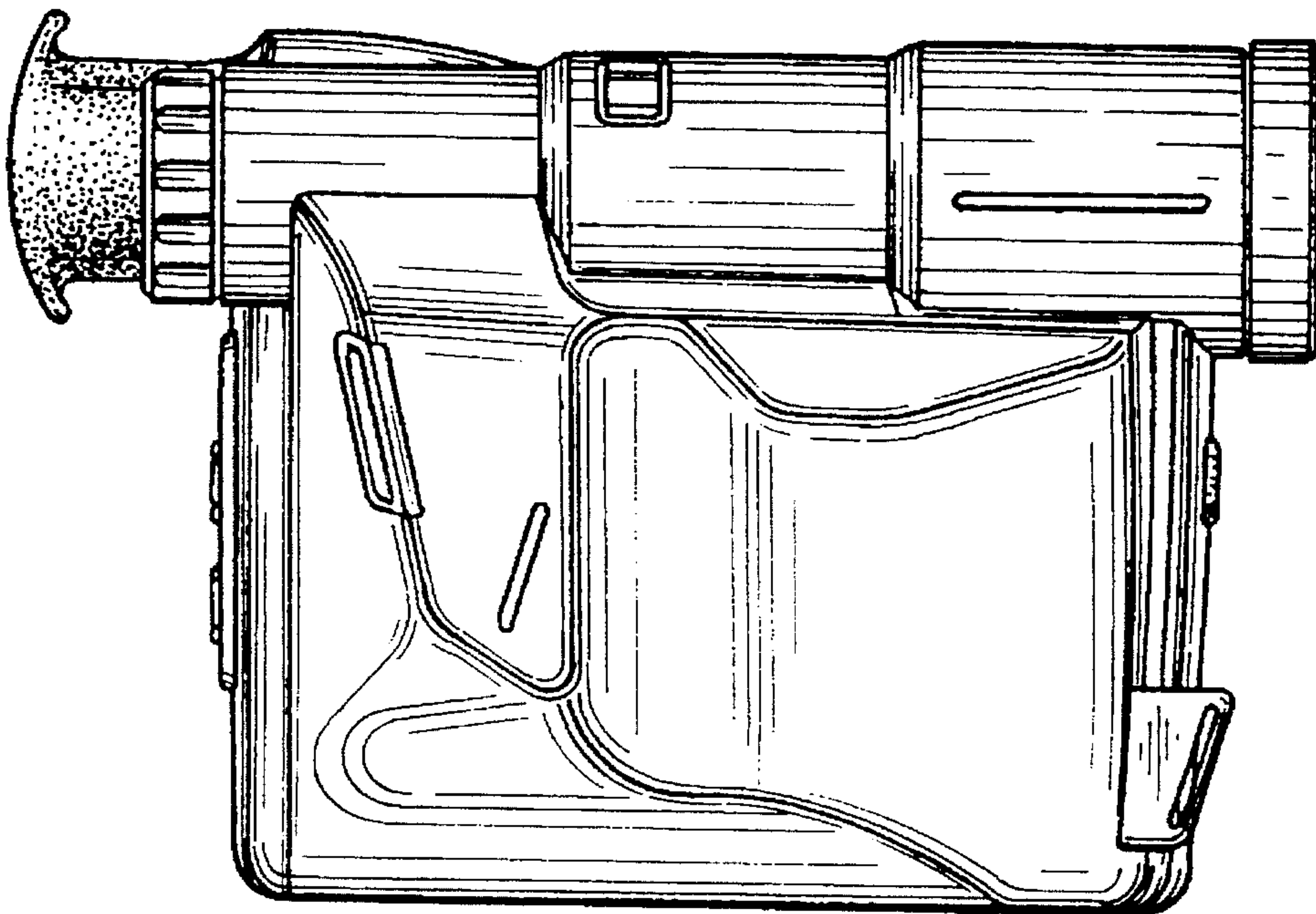


FIG. 9

