



US00D370488S

United States Patent [19]

[11] Patent Number: **Des. 370,488**

Kozumplik, Jr. et al.

[45] Date of Patent: ****Jun. 4, 1996**

[54] **DIAPHRAGM PUMP**

Primary Examiner—Ralf Seifert

[75] Inventors: **Nicholas Kozumplik, Jr.; Robert C. Elfers; Douglas D. Purdy**, all of Bryan, Ohio

Attorney, Agent, or Firm—Walter C. Vliet

[57] **CLAIM**

[73] Assignee: **The Aro Corporation**, Bryan, Ohio

The ornamental design for a diaphragm pump, as shown and described.

[**] Term: **14 Years**

DESCRIPTION

[21] Appl. No.: **43,171**

FIG. 1 is an isometric view showing the front top and left side of a diaphragm pump according to the present invention;

[22] Filed: **Aug. 28, 1995**

FIG. 2 is a front elevation view of a diaphragm pump according to the present invention;

[52] U.S. Cl. **D15/7**

FIG. 3 is a rear elevation view of a diaphragm pump according to the present invention;

[58] Field of Search D15/7-9; 417/393-394, 417/454, 395-397; 92/123, 98 R; 418/70

FIG. 4 is a right elevation view of a diaphragm pump according to the present invention;

[56] **References Cited**

U.S. PATENT DOCUMENTS

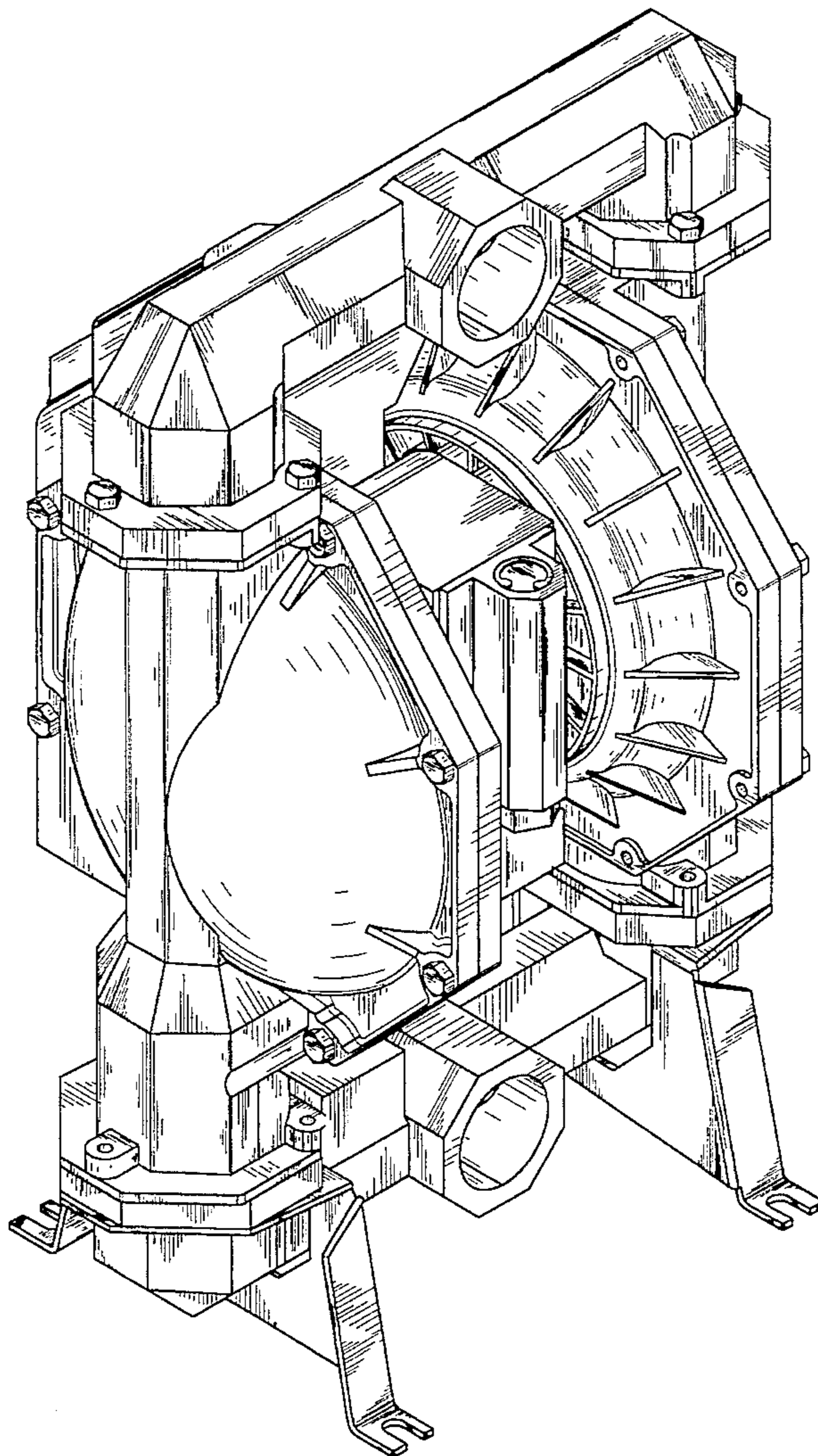
FIG. 5 is a left elevation view of a diaphragm pump according to the present invention;

D. 275,858	10/1984	Wilden	D15/7
D. 294,946	3/1988	Wilden	D15/7
D. 294,947	3/1988	Wilden	D15/7
D. 331,412	12/1992	Wilden	D15/7
2,679,209	5/1954	Fischer et al.	417/393
3,791,768	2/1974	Wanner	417/393

FIG. 6 is a bottom view of a diaphragm pump according to the present invention; and,

FIG. 7 is a top view of a diaphragm pump according to the present invention.

1 Claim, 7 Drawing Sheets



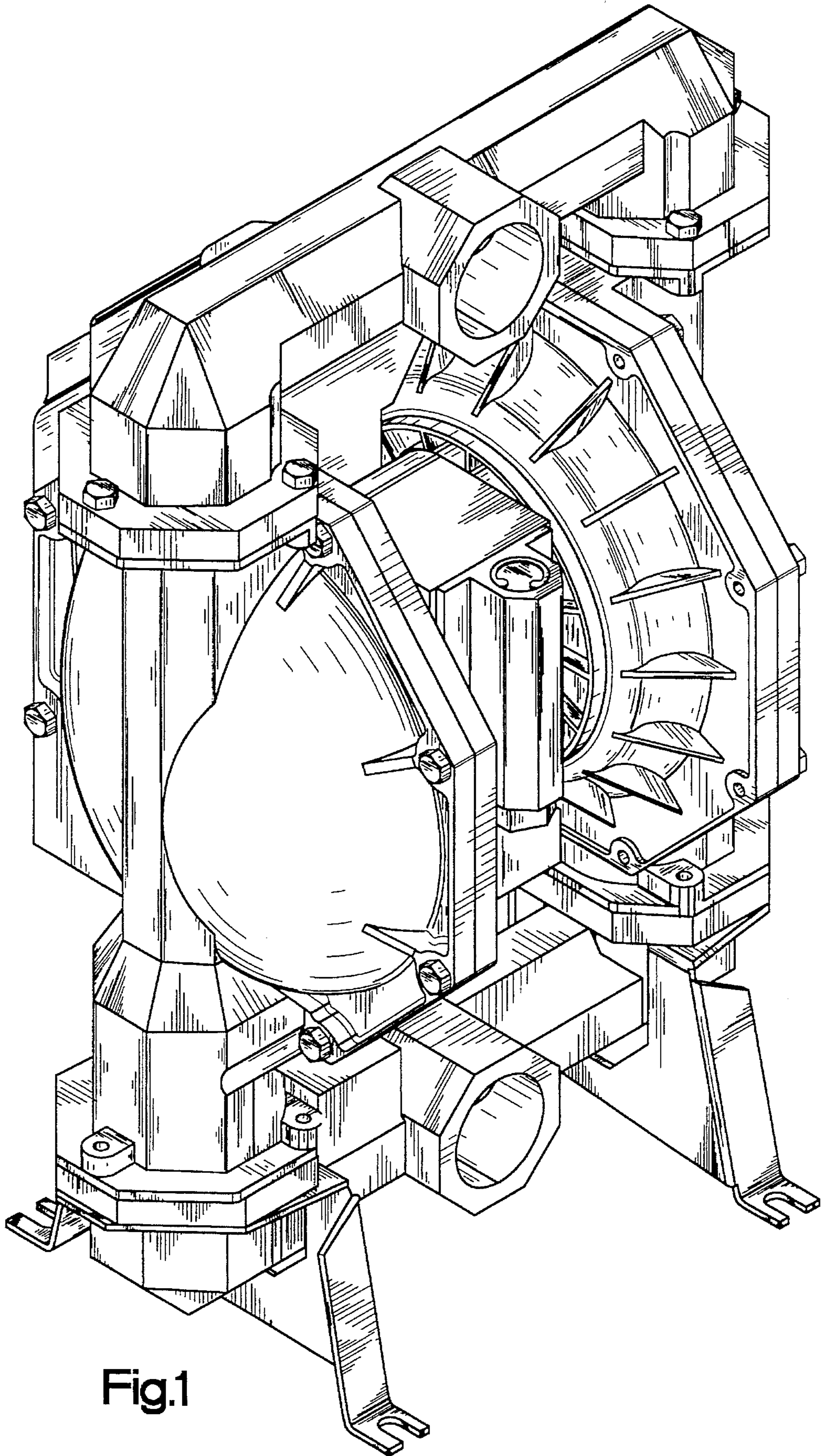


Fig.1

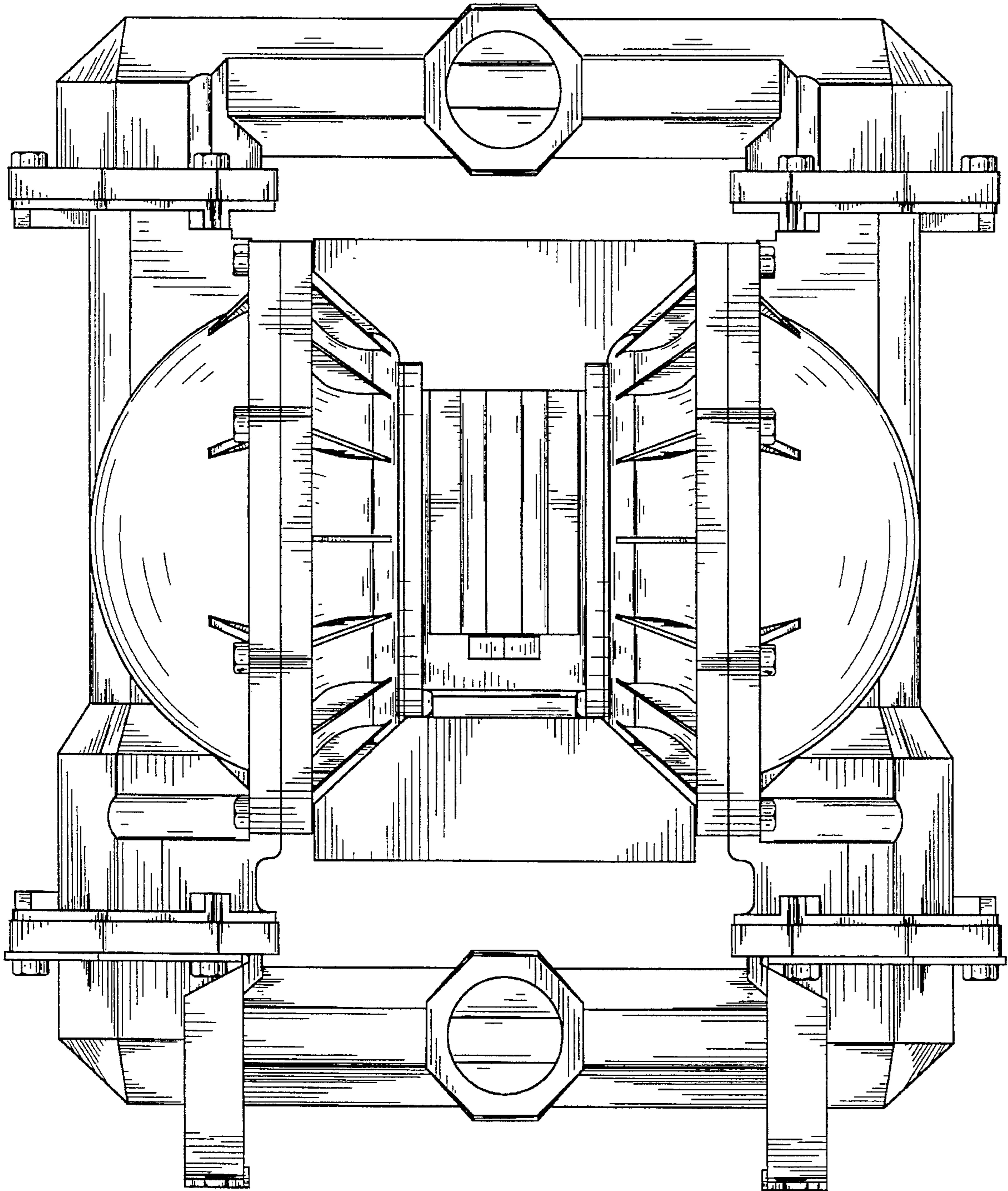


Fig.2

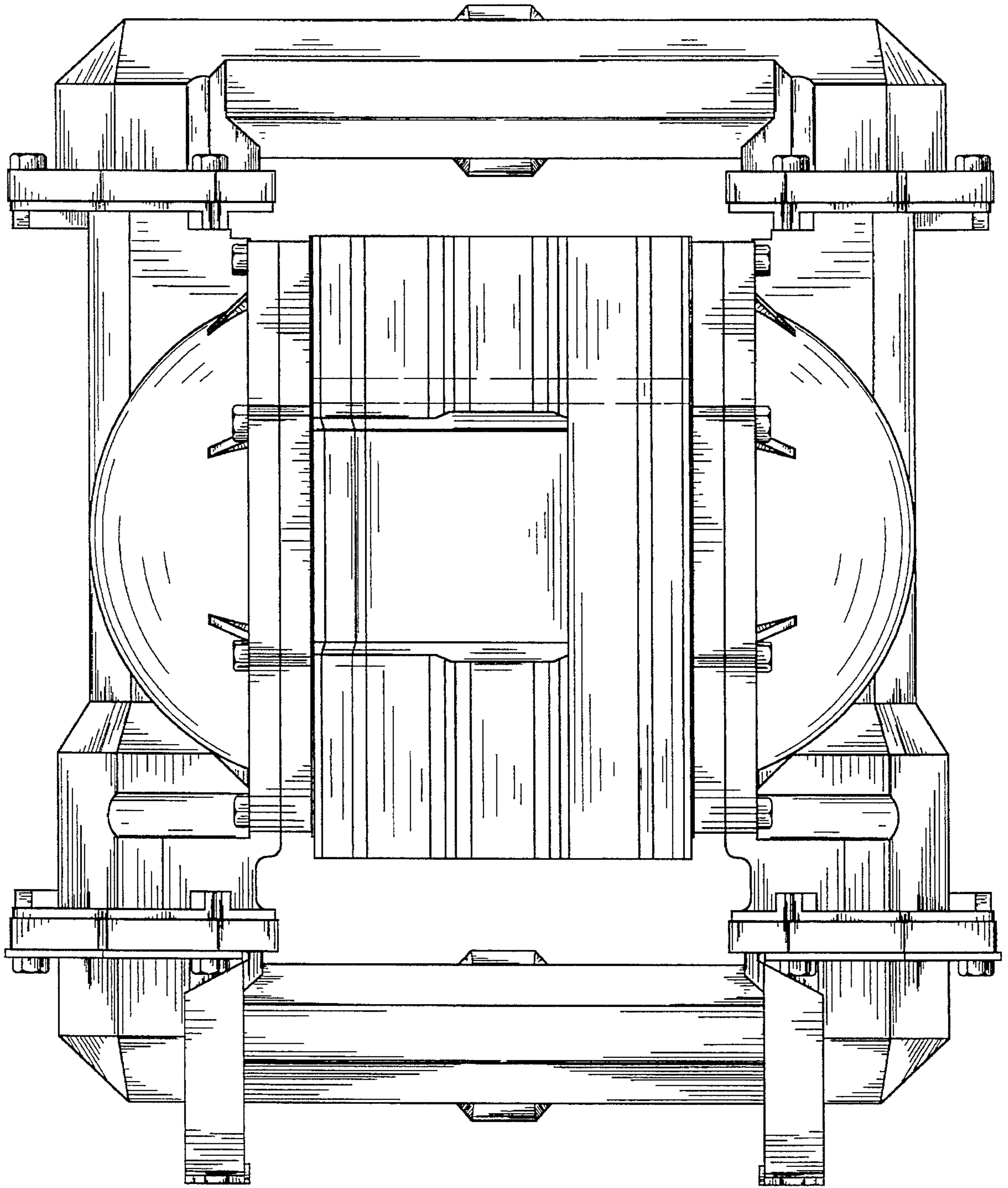


Fig.3

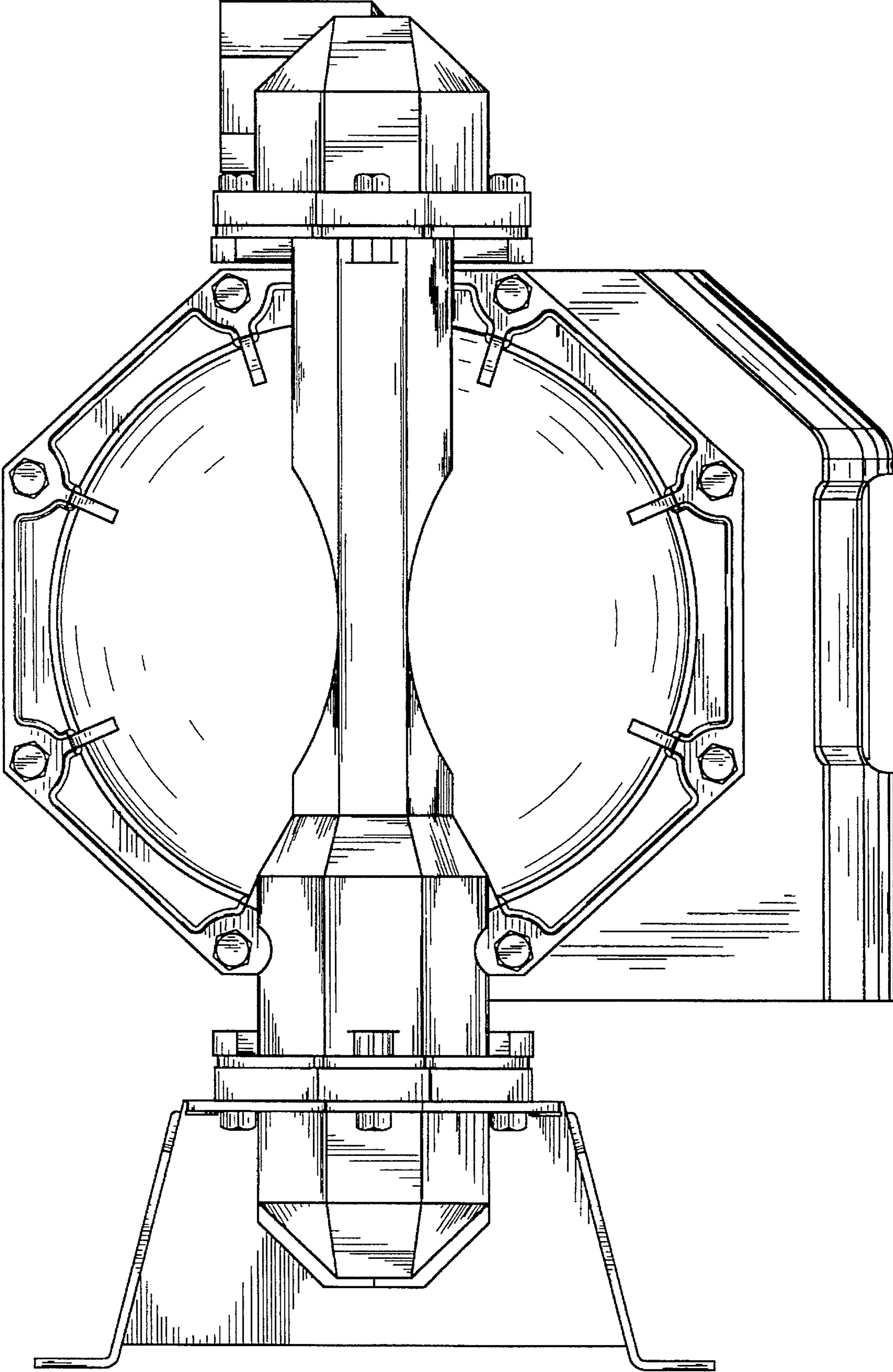


Fig.4

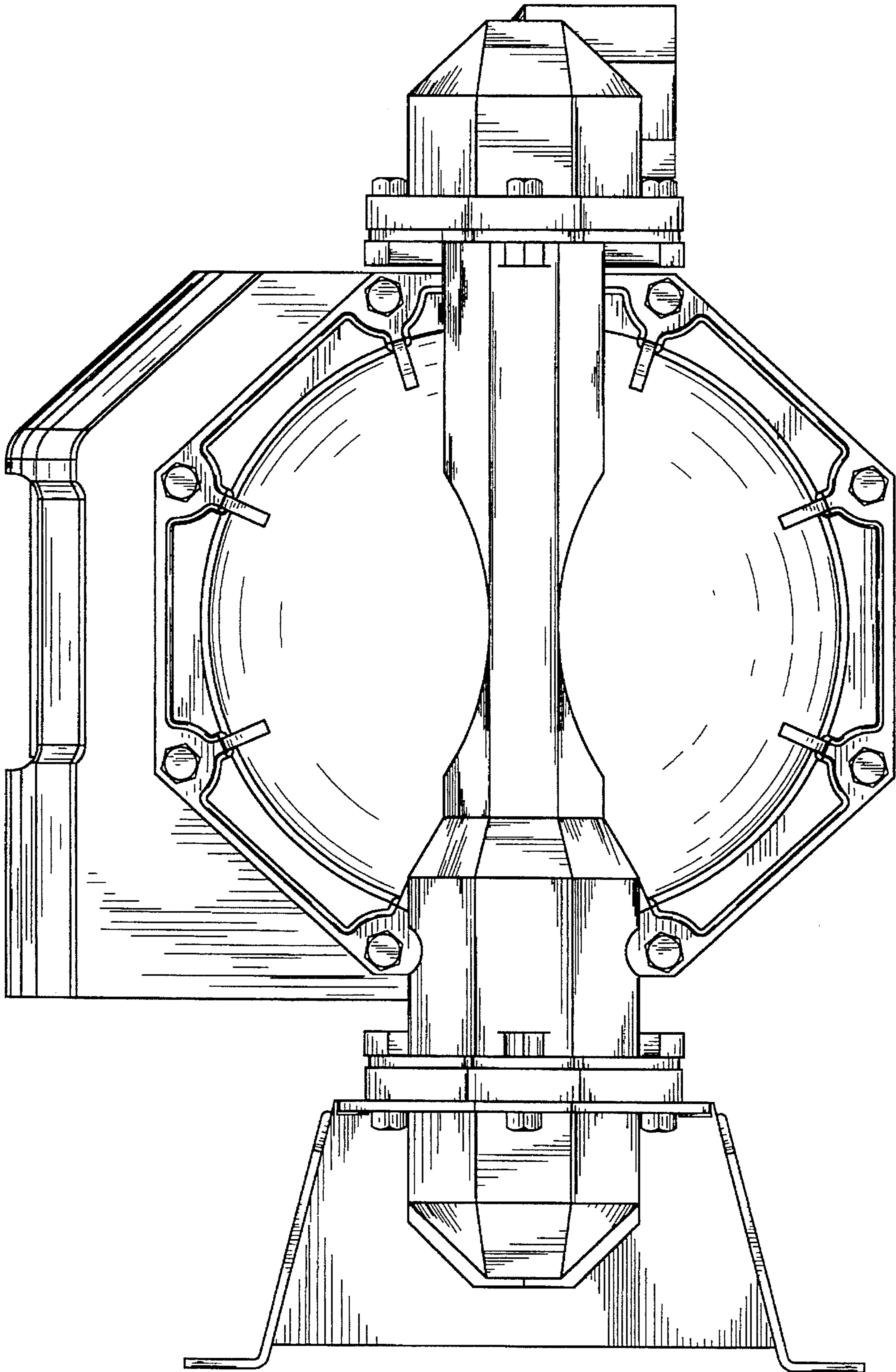


Fig.5

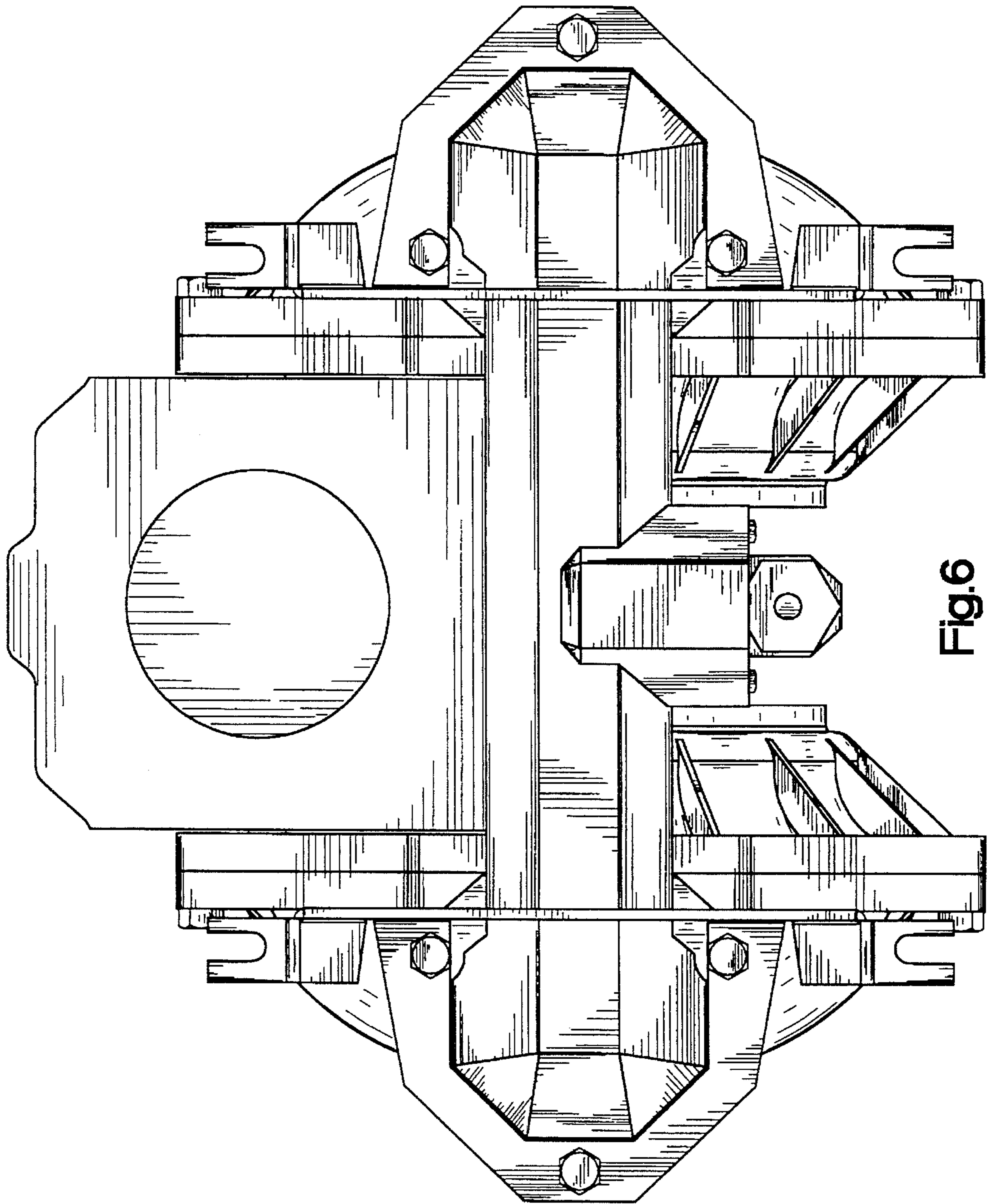


Fig.6

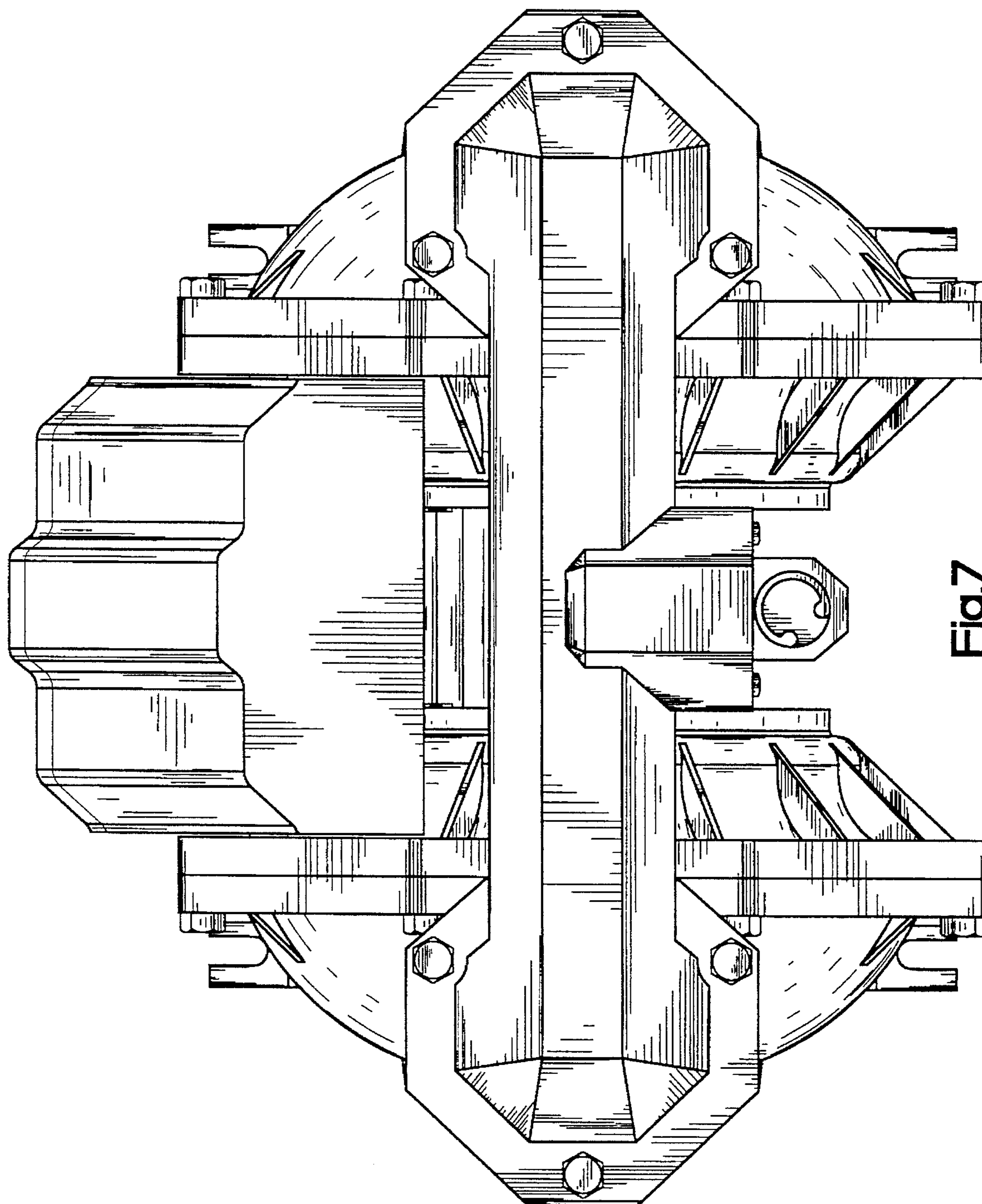


Fig.7