



US00D370481S

# United States Patent [19]

Brooks

[11] Patent Number: **Des. 370,481**

[45] Date of Patent: **\*\*Jun. 4, 1996**

[54] **DECODER BOX FOR INTERACTIVE TELEVISION SET**

[75] Inventor: **Richard R. Brooks**, Hampton, N.H.

[73] Assignee: **AT&T Corp.**, Murray Hill, N.J.

[\*\*] Term: **14 Years**

[21] Appl. No.: **37,096**

[22] Filed: **Apr. 3, 1995**

[52] U.S. Cl. .... **D14/124**

[58] Field of Search ..... D14/124, 121, D14/125, 129, 135, 188, 217; 273/148 B, 433-438, DIG. 28; 341/143, 173, 175; 360/32

[56] **References Cited**

**U.S. PATENT DOCUMENTS**

- D. 190,736 6/1961 Boldt ..... D14/125
- D. 271,891 12/1983 Renteria ..... D21/48 X
- D. 284,280 6/1986 Mack, Jr. et al. .... D14/124

- D. 313,230 12/1990 Isaacs ..... D14/125
- D. 320,982 10/1991 Siddoway ..... D14/124 X
- D. 355,195 2/1995 Burke ..... D14/124 X
- D. 355,654 2/1995 Koulopoulos ..... D14/124 X

*Primary Examiner*—Prabhakar G. Deshmukh  
*Attorney, Agent, or Firm*—Stuart H. Mayer

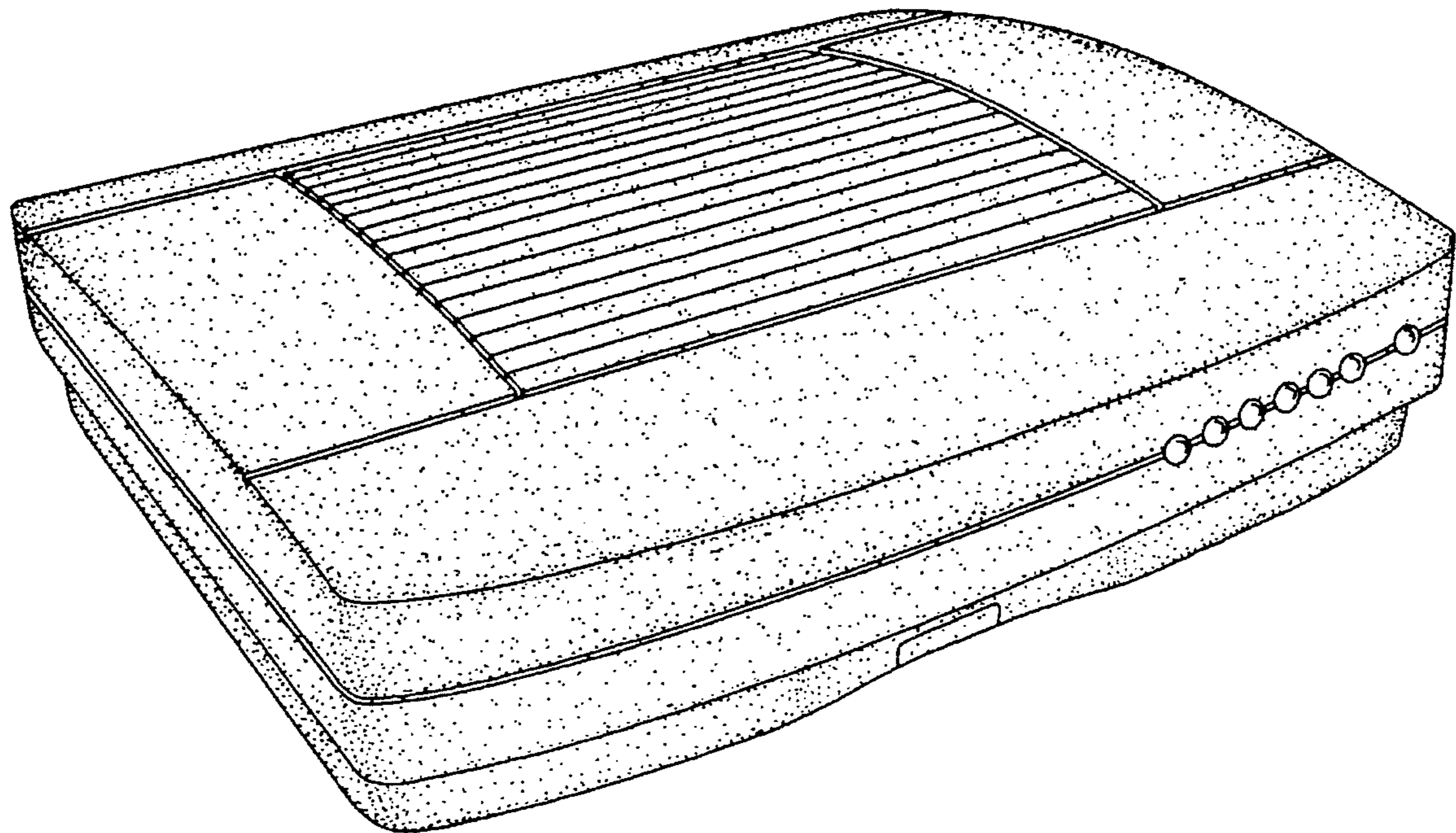
[57] **CLAIM**

The ornamental design for a decoder box for interactive television set, as shown and described.

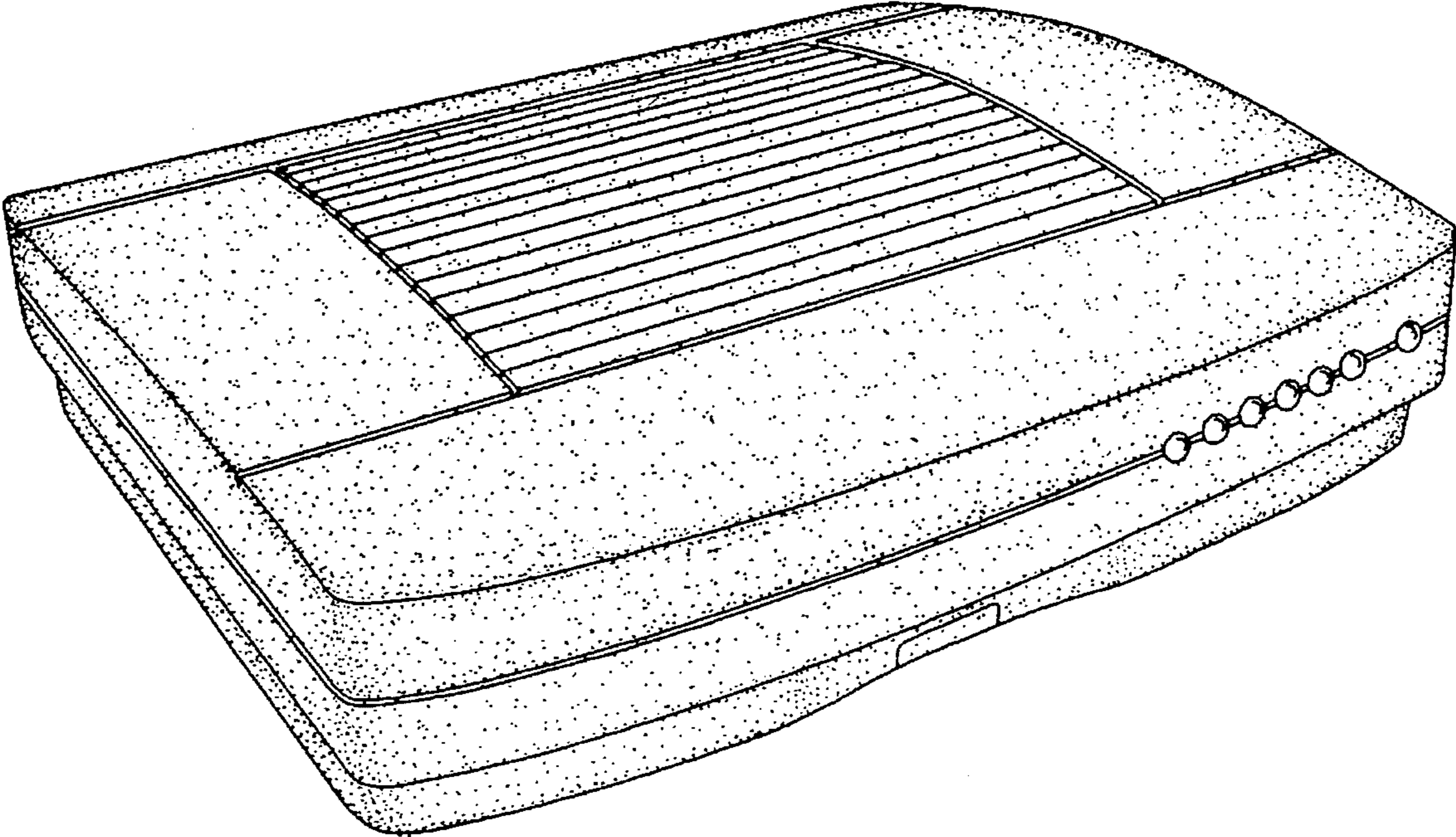
**DESCRIPTION**

FIG. 1 is a perspective view of a decoder box for interactive television set showing my new design;  
FIG. 2 is a right side elevational view thereof;  
FIG. 3 is a left side elevational view thereof;  
FIG. 4 is a front elevational view thereof;  
FIG. 5 is a rear elevational view thereof;  
FIG. 6 is a top plan view thereof; and,  
FIG. 7 is a bottom plan view thereof.

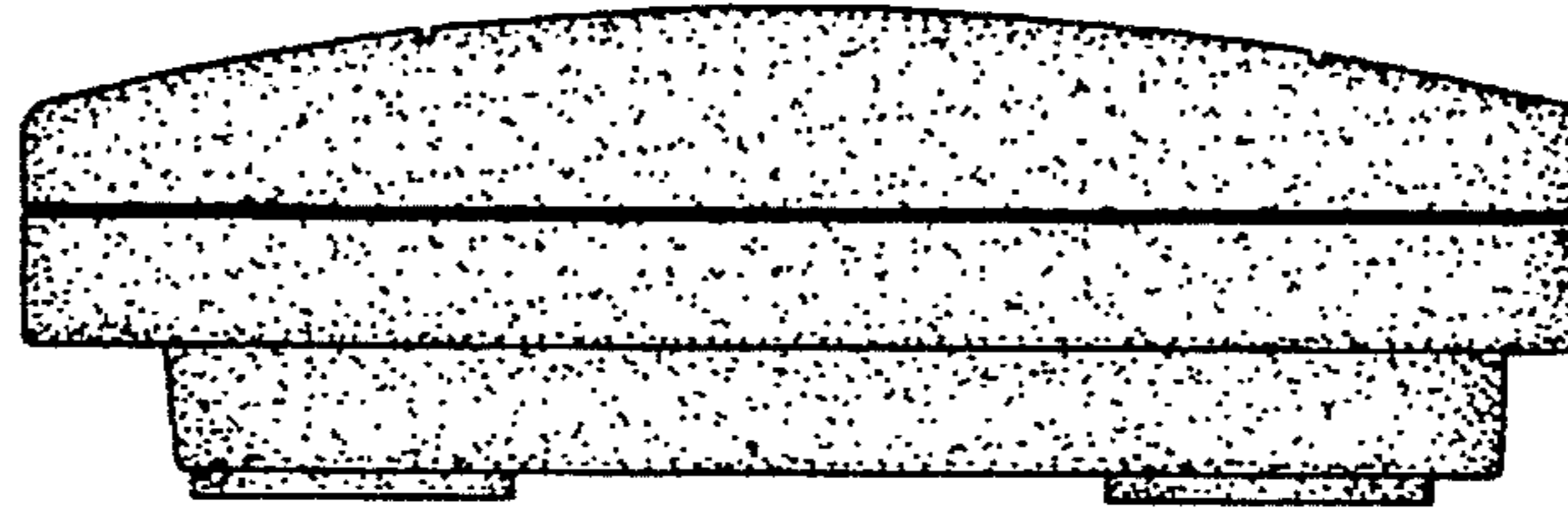
**1 Claim, 3 Drawing Sheets**



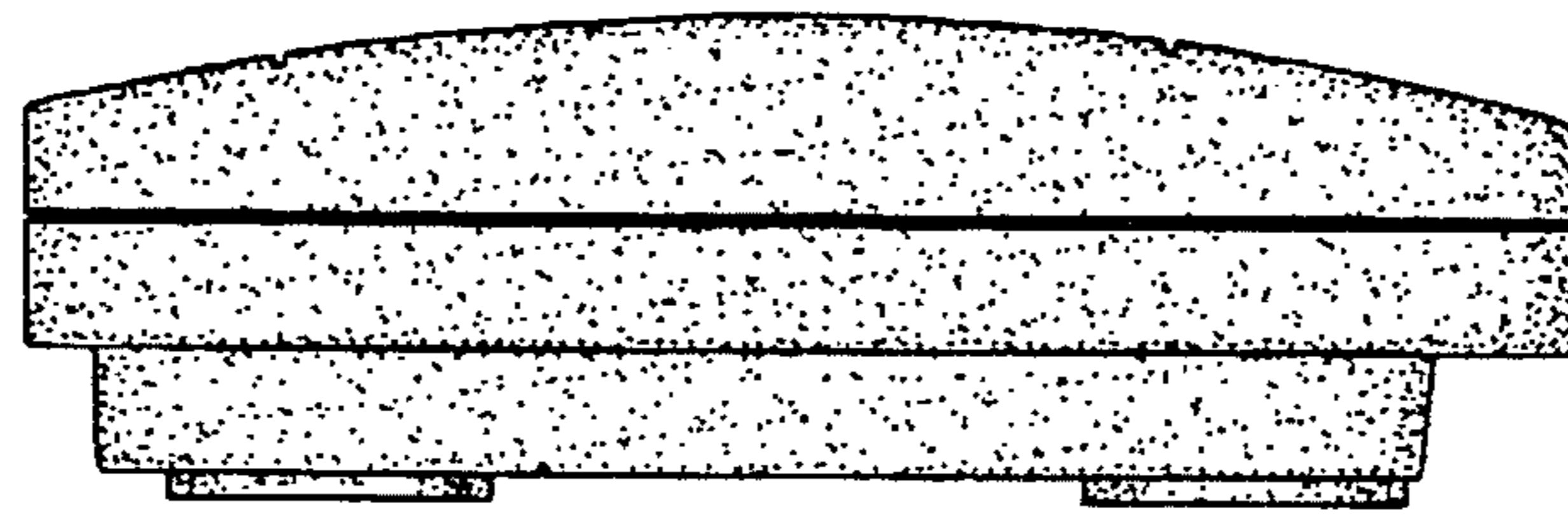
*FIG. 1*



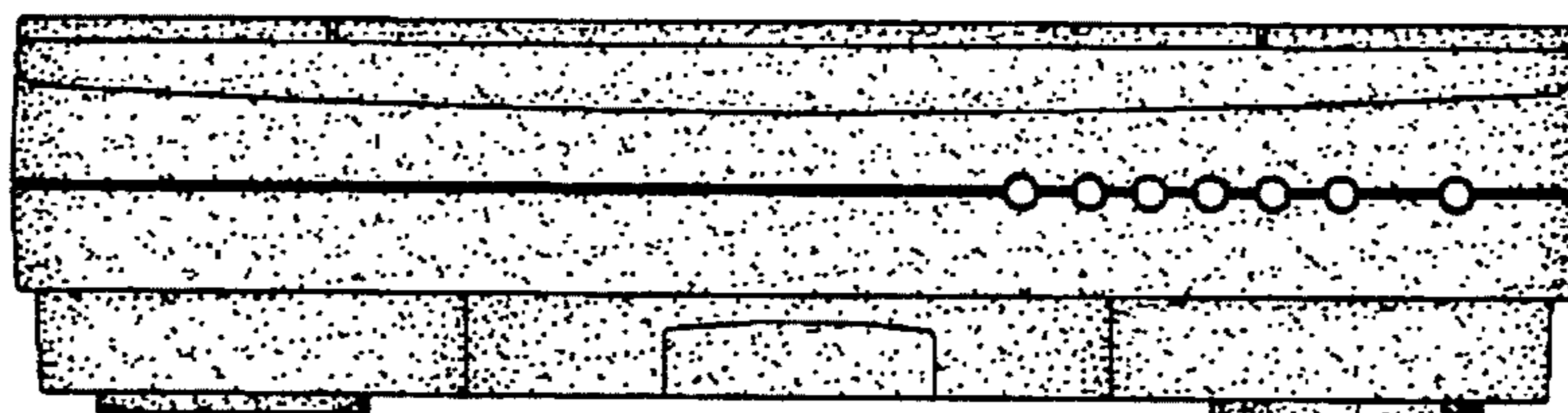
*FIG. 2*



*FIG. 3*



*FIG. 4*



*FIG. 5*

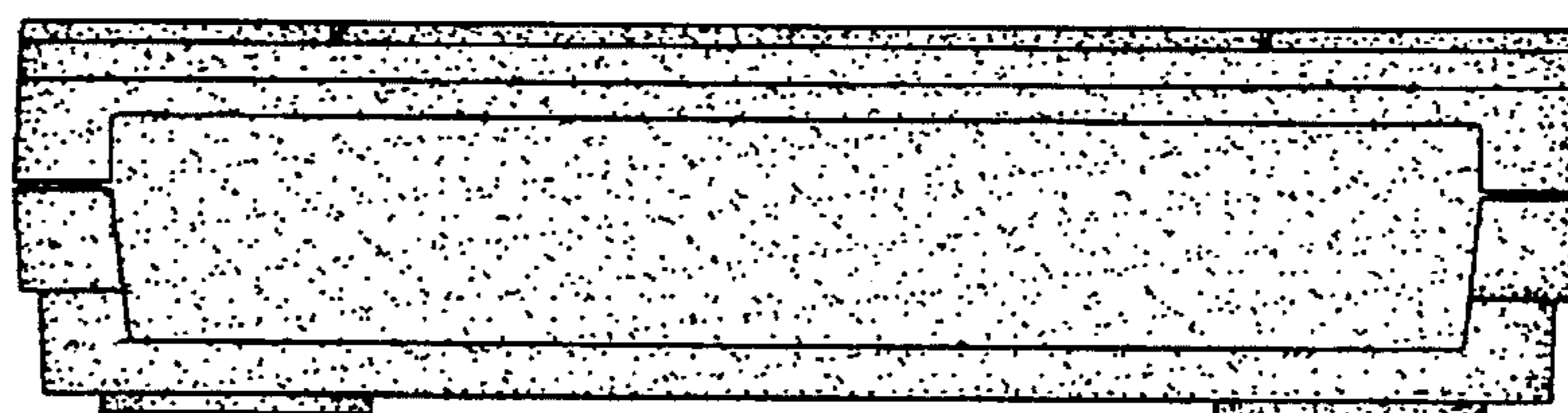


FIG. 6

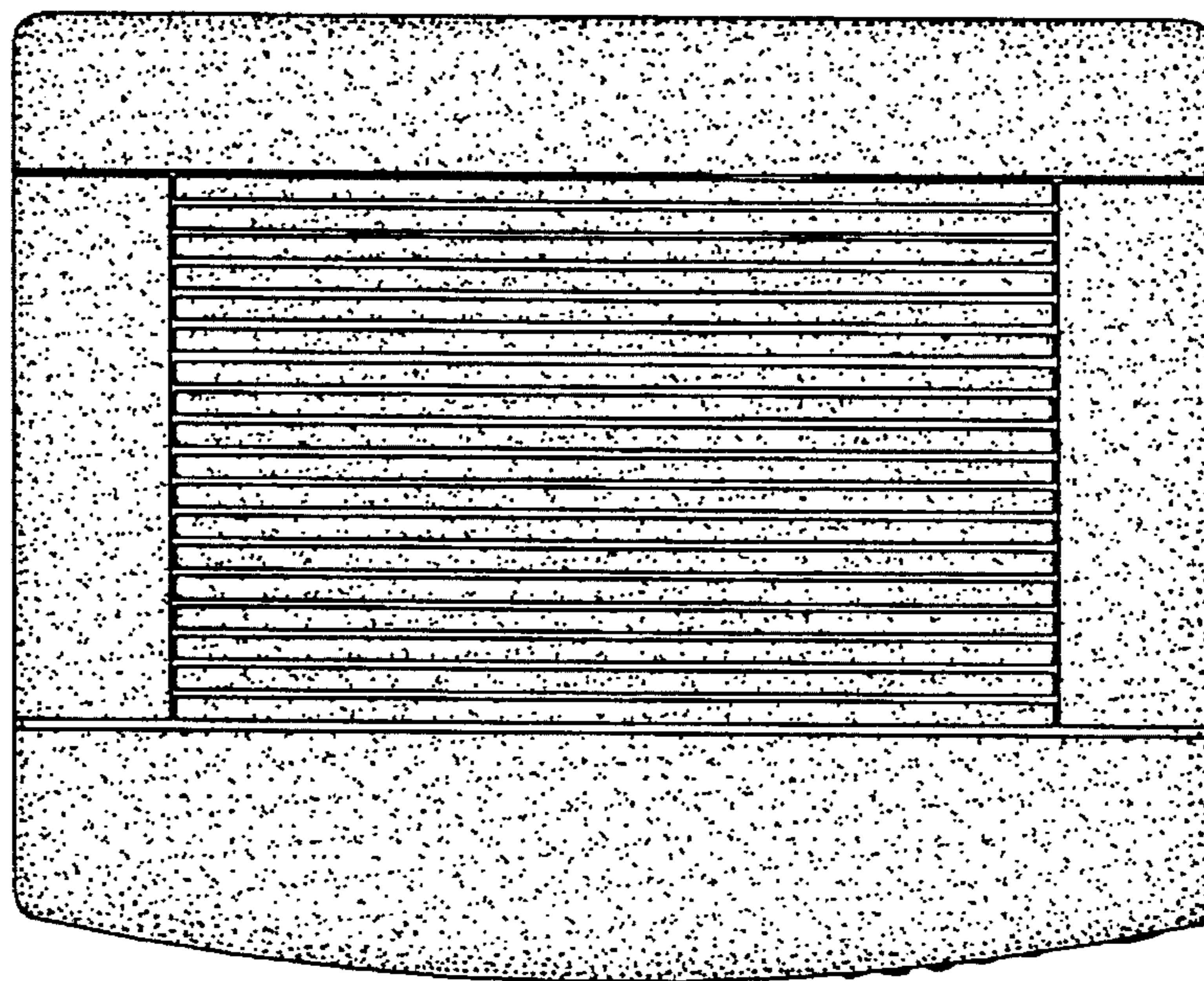


FIG. 7

