



US00D370478S

United States Patent [19]

[11] Patent Number: **Des. 370,478**

Swift et al.

[45] Date of Patent: ****Jun. 4, 1996**

[54] **COMBINED OPTICAL SCANNER AND PORTABLE TERMINAL**

[75] Inventors: **Philip W. Swift**, Port Jefferson, N.Y.;
Alan Ball, Arlington, Mass.

[73] Assignee: **Symbol Technologies, Inc.**, Bohemia, N.Y.

[**] Term: **14 Years**

[21] Appl. No.: **41,408**

[22] Filed: **Jul. 13, 1995**

[52] U.S. Cl. **D14/116**

[58] **Field of Search** D14/100, 107,
D14/114, 116, 105; 235/375, 378, 385,
454, 462, 472, 486; 354/80-2; 382/58-69;
250/203.1, 216, 566, 568; D26/37, 45,
50

[56] **References Cited**

U.S. PATENT DOCUMENTS

D. 242,258 11/1976 McPherson D14/116
D. 273,113 3/1984 Knoll D14/116
D. 335,662 5/1993 Shepard D14/116

D. 344,268 2/1994 Mitchum D14/105
D. 347,421 5/1994 Lorenz et al. D14/105
D. 348,052 6/1994 Fennell D14/105
D. 348,260 6/1994 Allgeier D14/116
D. 354,276 1/1995 Wilson D14/105
D. 359,483 6/1995 Saunders et al. D14/116
5,191,197 3/1993 Metlitsky et al. D14/116 X

Primary Examiner—M. H. Tung

[57] **CLAIM**

The ornamental design for an combined optical scanner and portable terminal, as shown and described.

DESCRIPTION

FIG. 1 is a top, rear, left-side perspective view of an combined optical scanner and portable terminal showing our new design;

FIG. 2 is a bottom plan view thereof;

FIG. 3 is a front elevational view thereof;

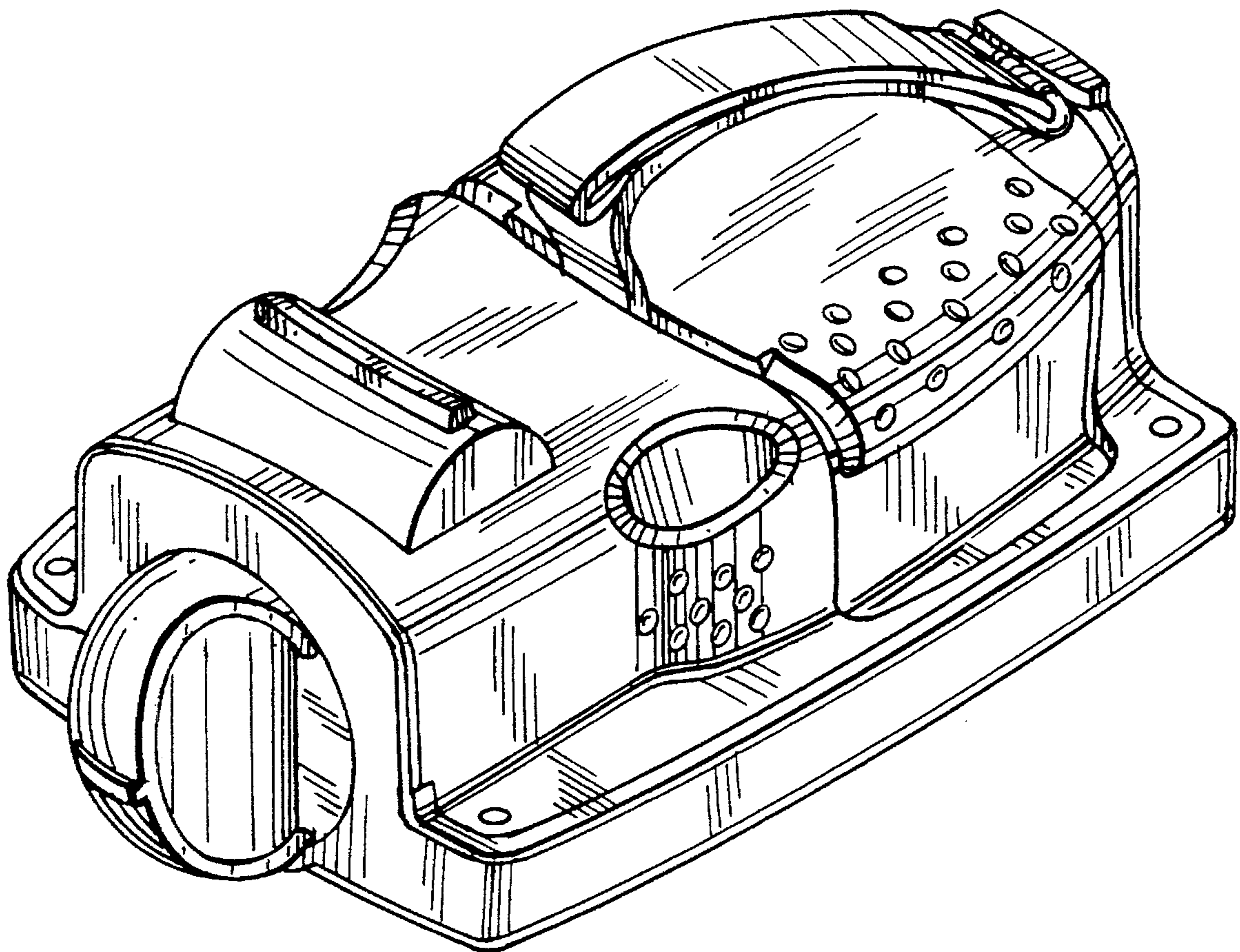
FIG. 4 is an left-side elevational view thereof;

FIG. 5 is a rear elevational view thereof;

FIG. 6 is a right-side elevational view thereof; and,

FIG. 7 is a top plan view thereof.

1 Claim, 2 Drawing Sheets



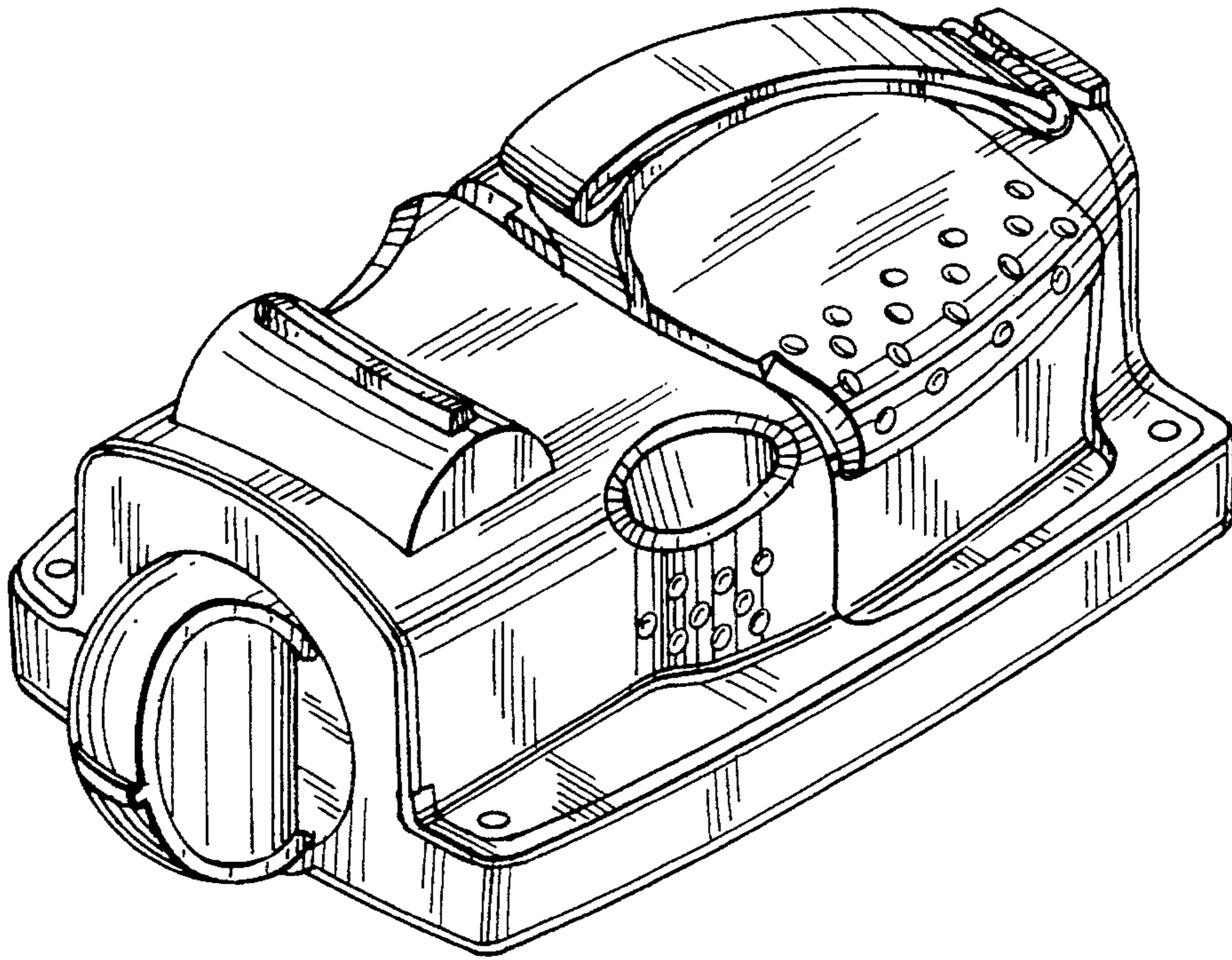


FIG. 1

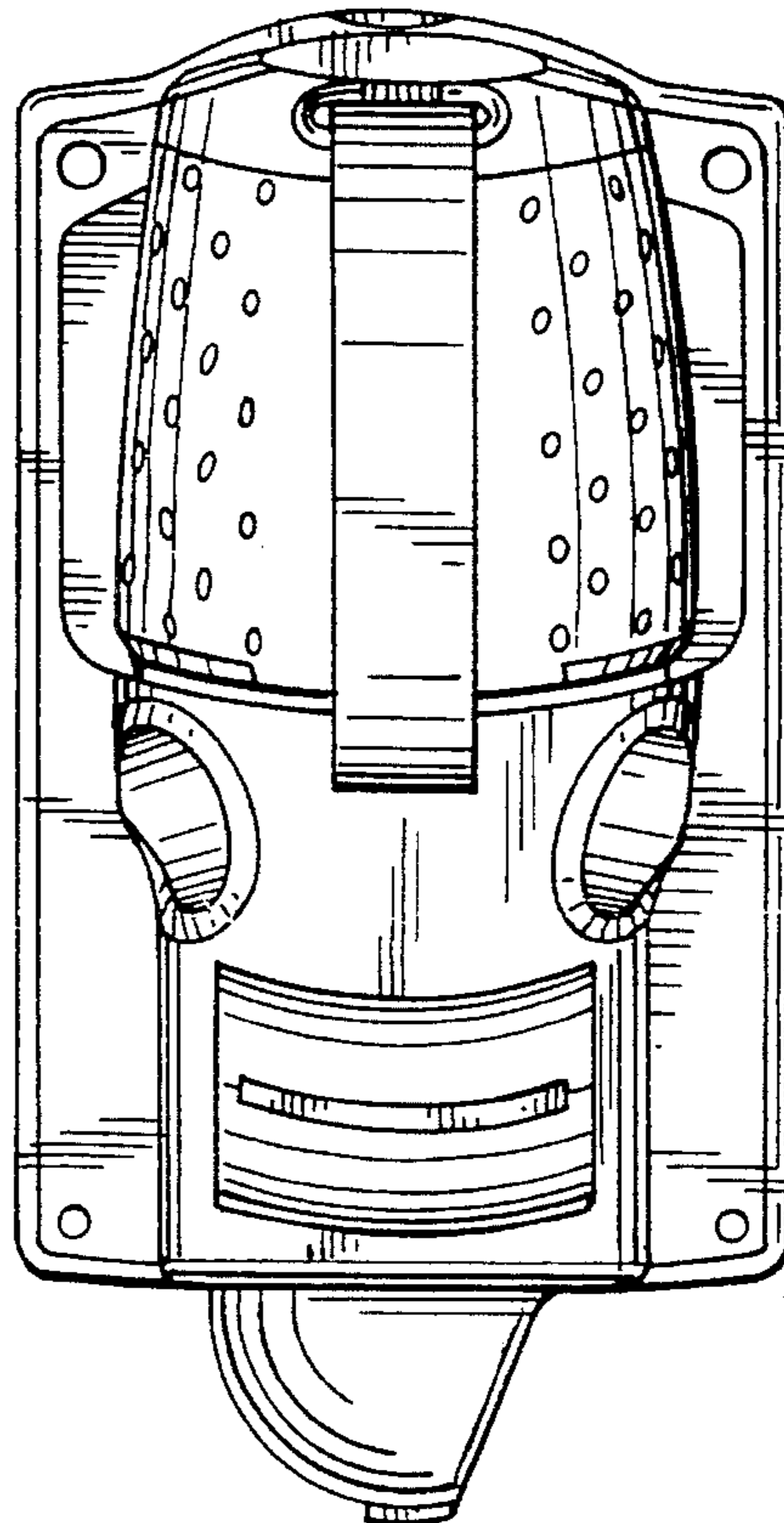


FIG. 2

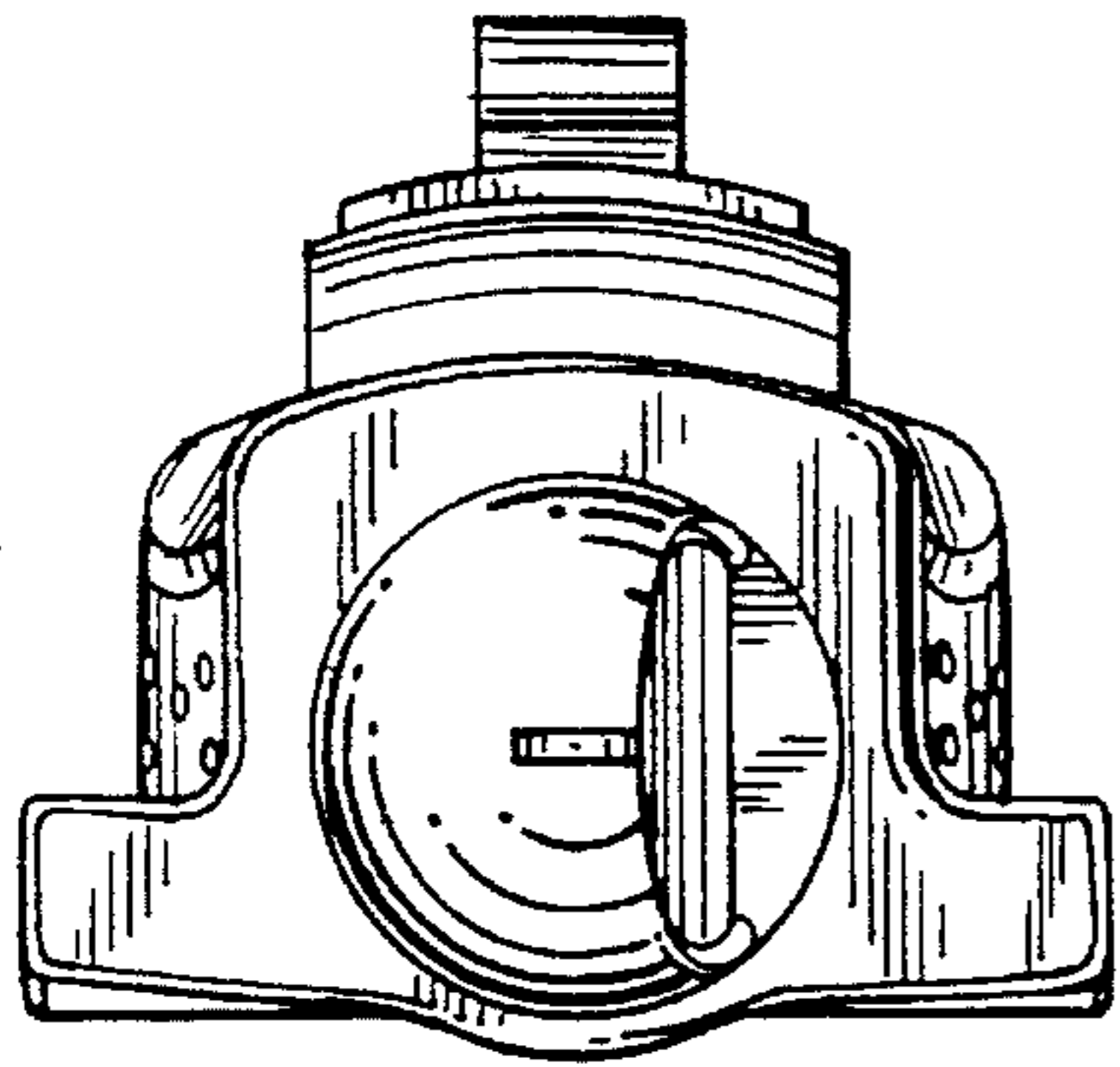


FIG. 3

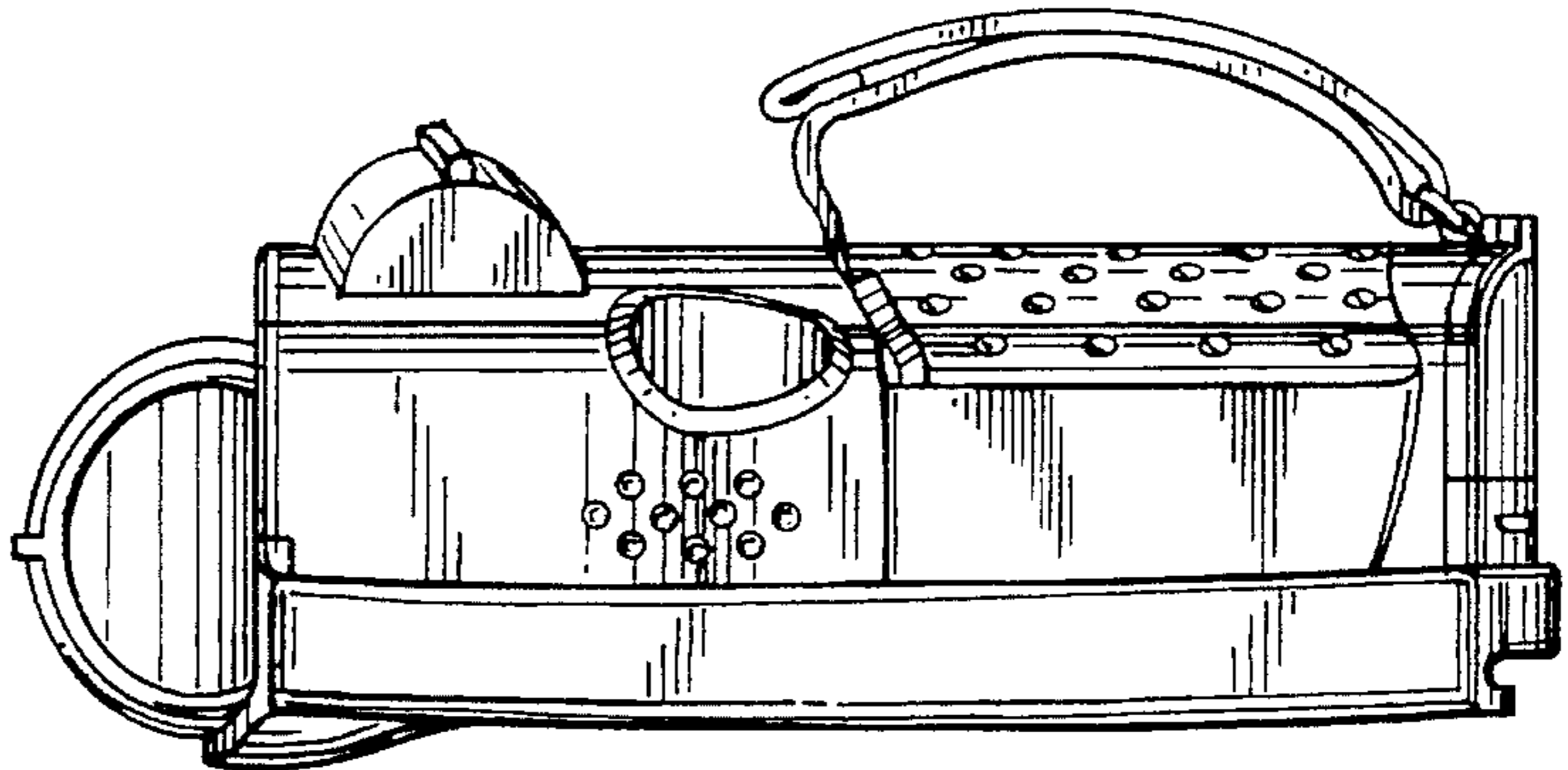


FIG. 4

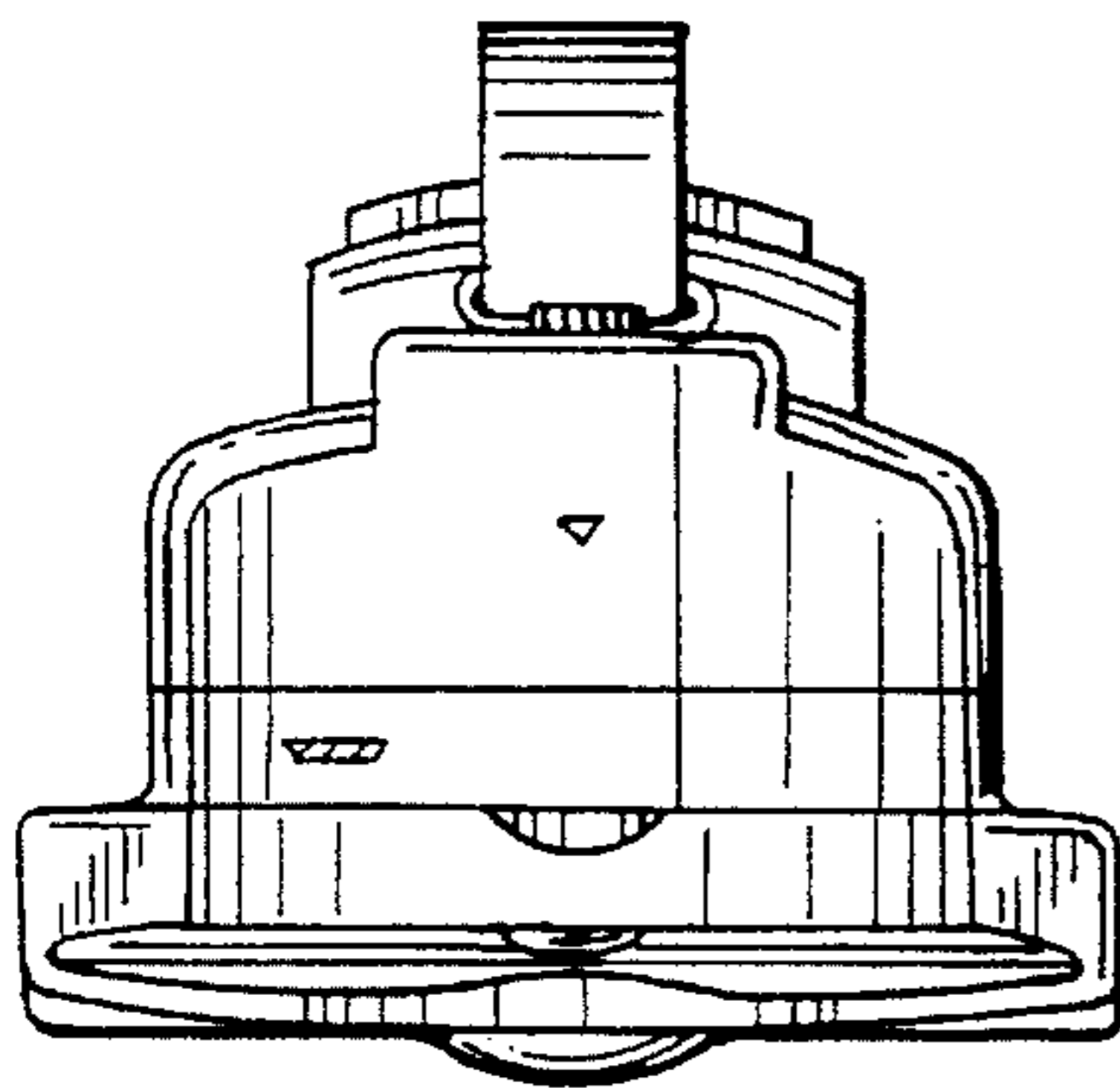


FIG. 5

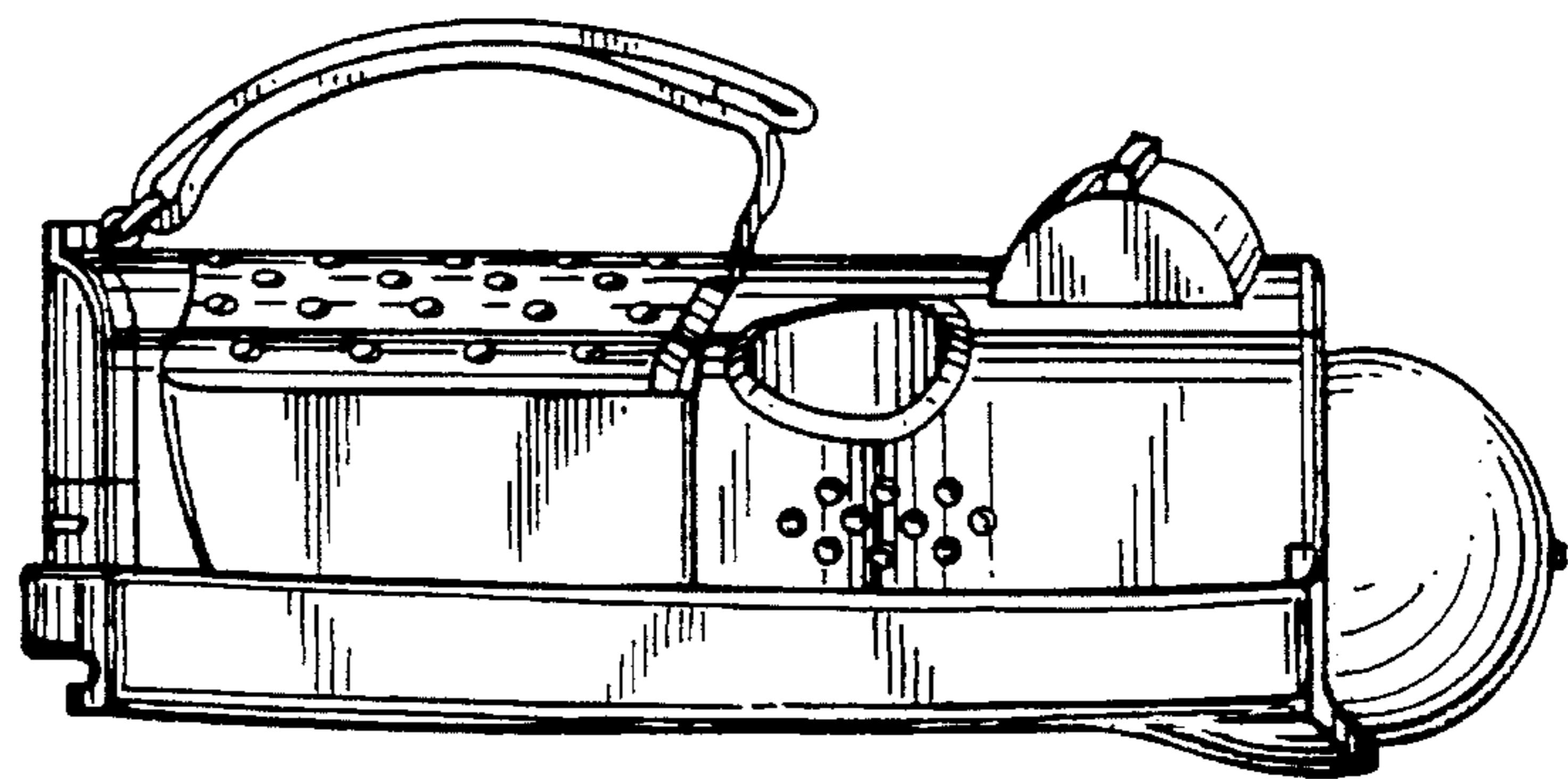


FIG. 6

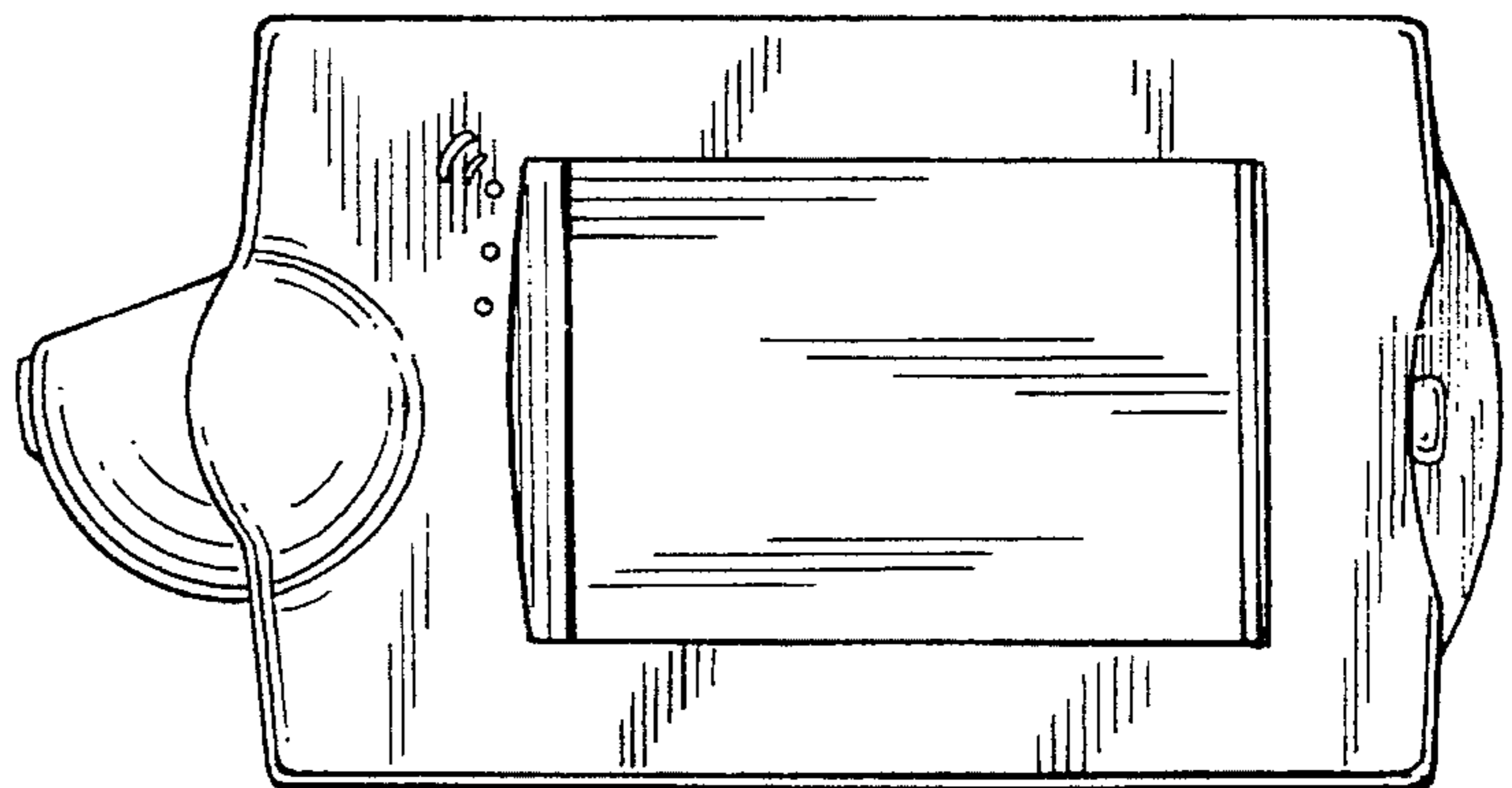


FIG. 7