



US00D370476S

United States Patent [19]
Dalesky

[11] **Patent Number: Des. 370,476**
[45] **Date of Patent: **Jun. 4, 1996**

[54] **KEYBOARD**

5,198,991 3/1993 Pollitt D14/115 X

[76] Inventor: **Stephen C. Dalesky**, Box 25, Brothers,
Oreg. 97712

Primary Examiner—Freda Nunn

[**] Term: **14 Years**

[57] **CLAIM**

The ornamental design for a keyboard, as shown and described.

[21] Appl. No.: **28,499**

DESCRIPTION

[22] Filed: **Sep. 16, 1994**

[52] **U.S. Cl.** **D14/115**

[58] **Field of Search** D14/100, 101,
D14/106, 115, 205, 206, 194, 156; D18/1,
7, 11, 12; 235/145 A, 145 R; 200/5 A,
5 R, 6 A, 6 R; 345/168; 341/22, 23; 364/708.1;
400/472, 479, 682, 484-486, 488, 489

FIG. 1 is a top plan view of the keyboard showing my new design;

FIG. 2 is a bottom plan view thereof;

FIG. 3 is a left side elevational view thereof;

FIG. 4 is a right side elevational view thereof;

FIG. 5 is a rear elevational view thereof;

FIG. 6 is a front elevational view thereof; and,

FIG. 7 is a perspective view thereof.

The screw is shown in broken lines in the views for illustrative purposes only and forms no part of the claimed design.

[56] **References Cited**

U.S. PATENT DOCUMENTS

- D. 338,665 8/1993 Riley et al. D14/115
- D. 362,434 9/1995 Abell, Jr. et al. D14/115
- 3,990,565 11/1976 Felton et al. D14/115 X

1 Claim, 4 Drawing Sheets

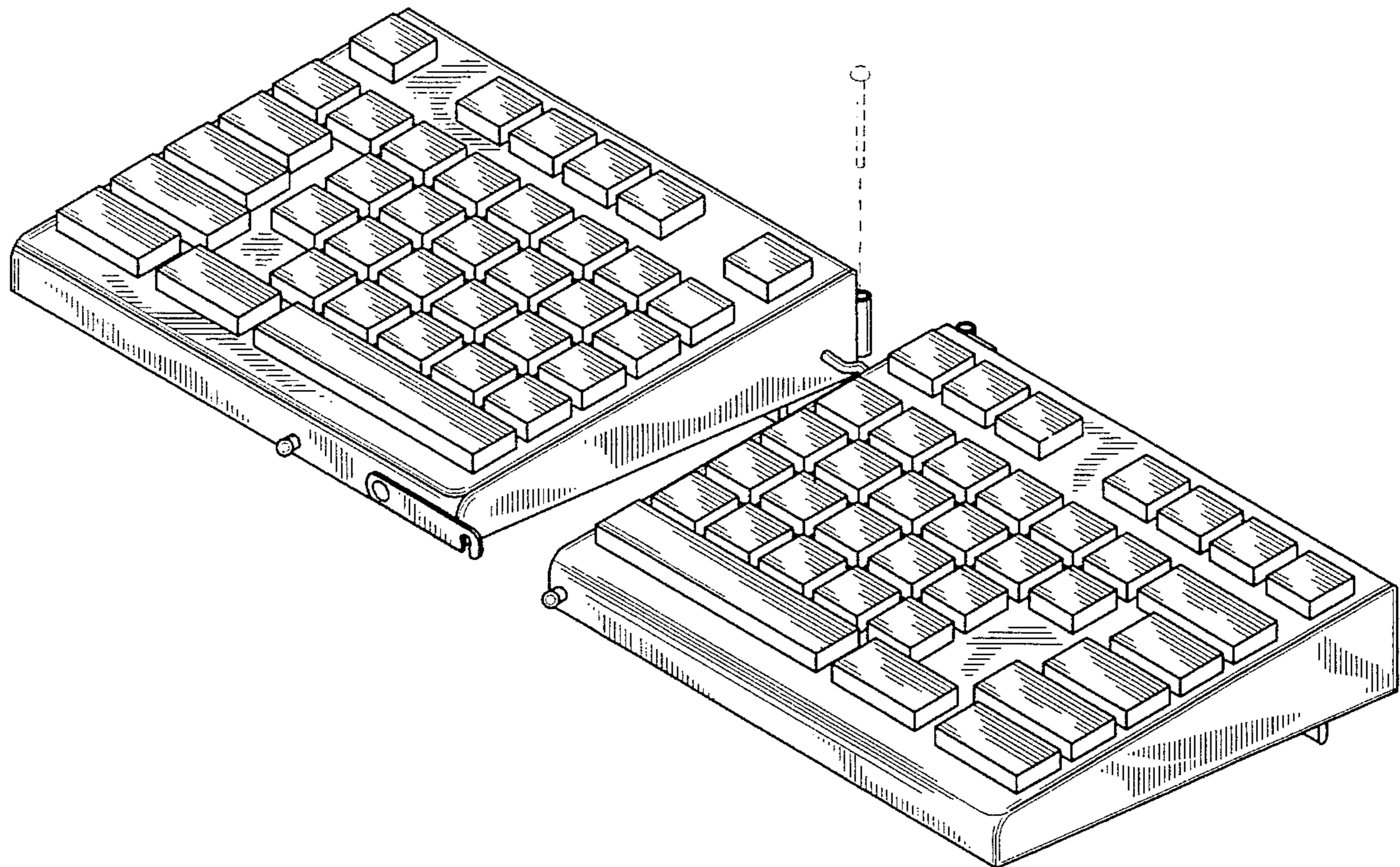


FIG. 1

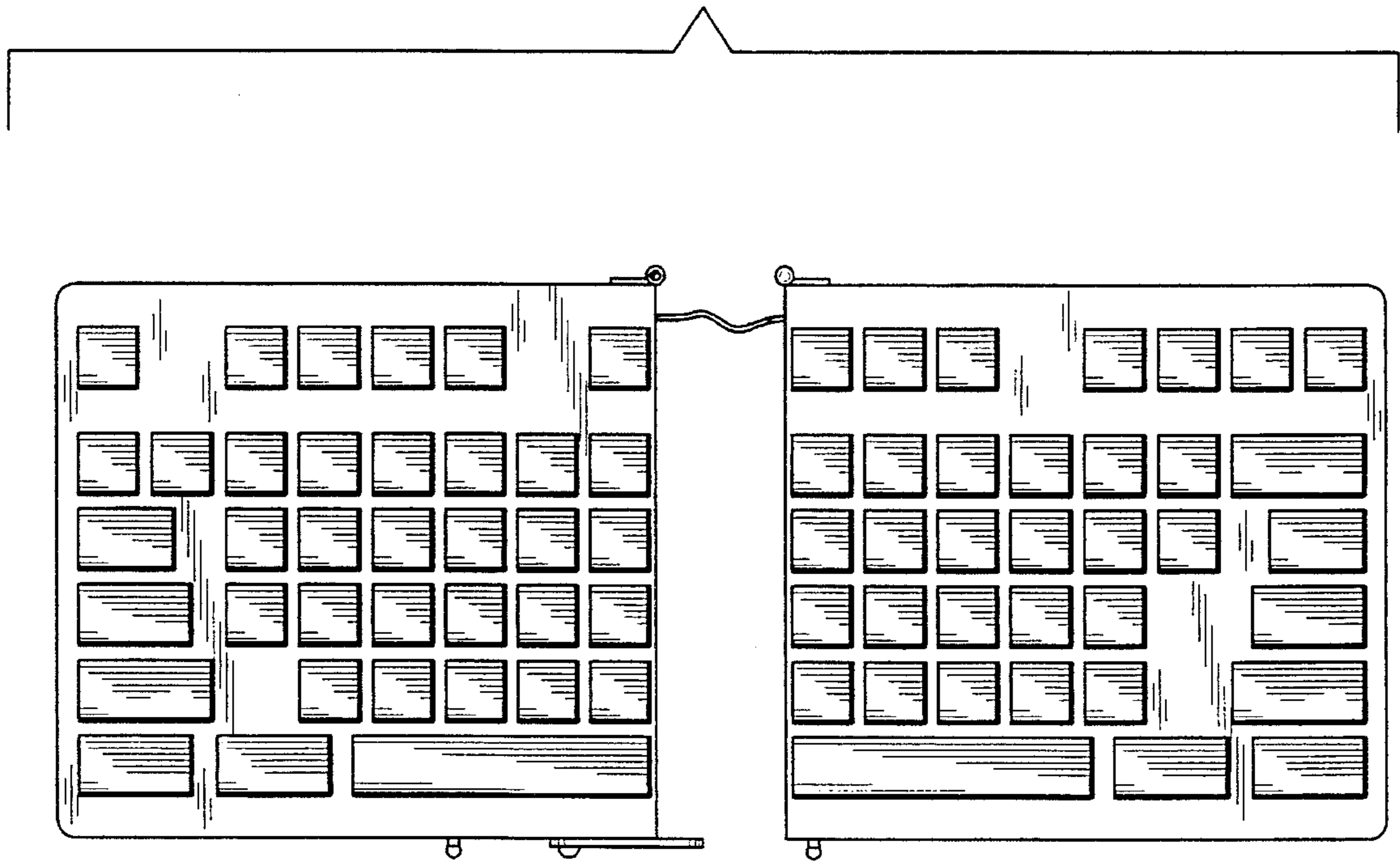


FIG. 2

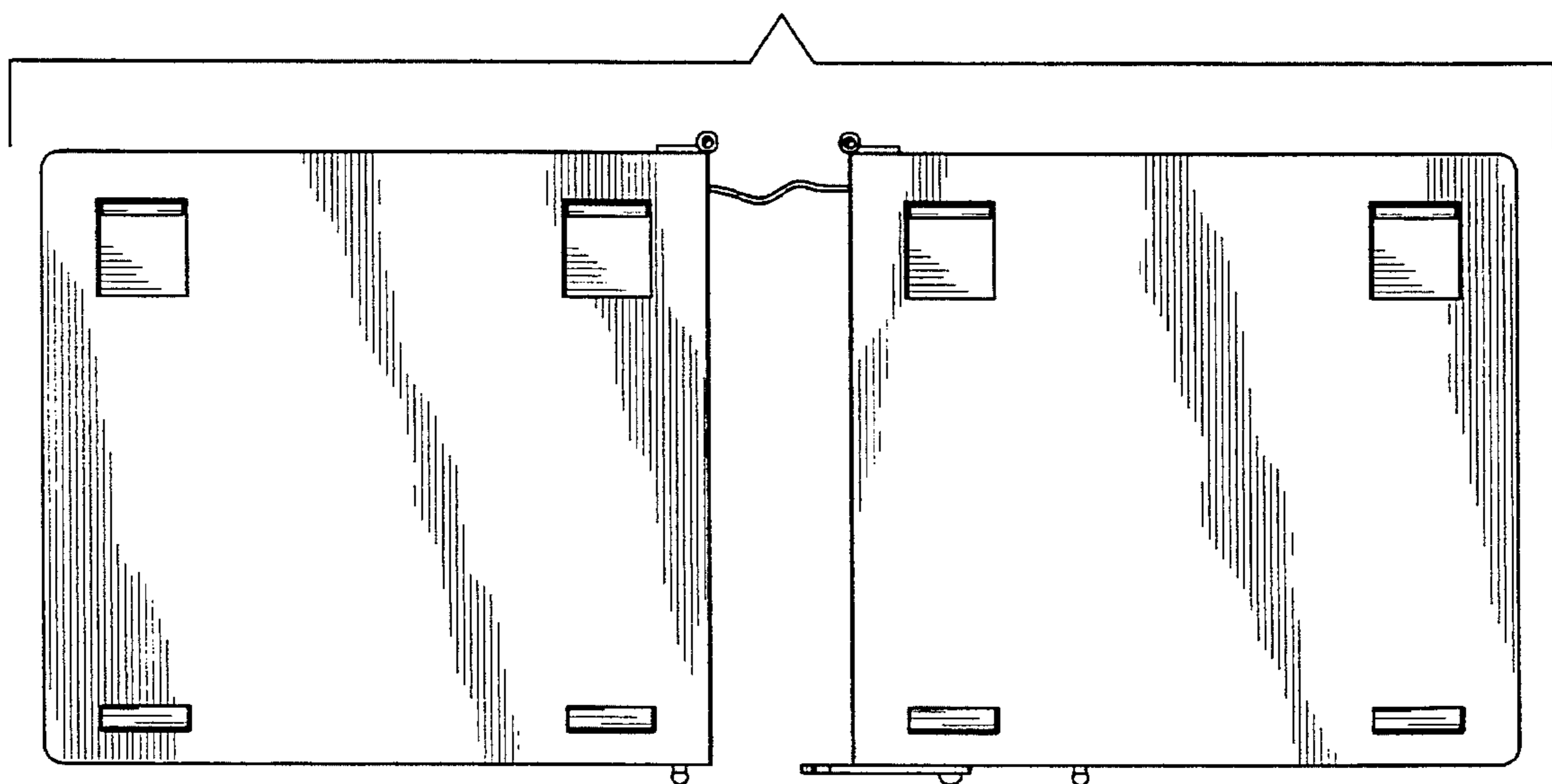


FIG. 3

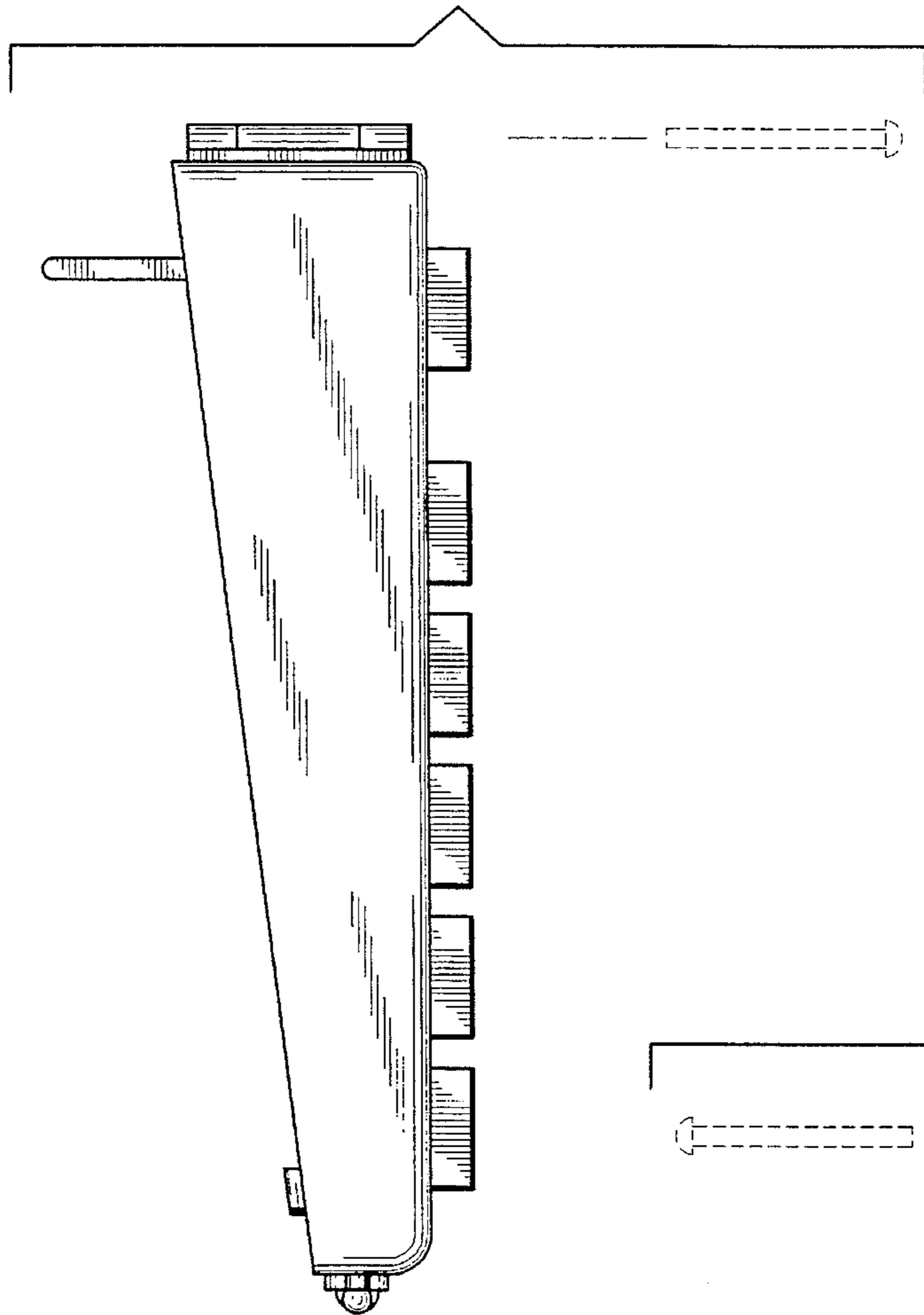


FIG. 4

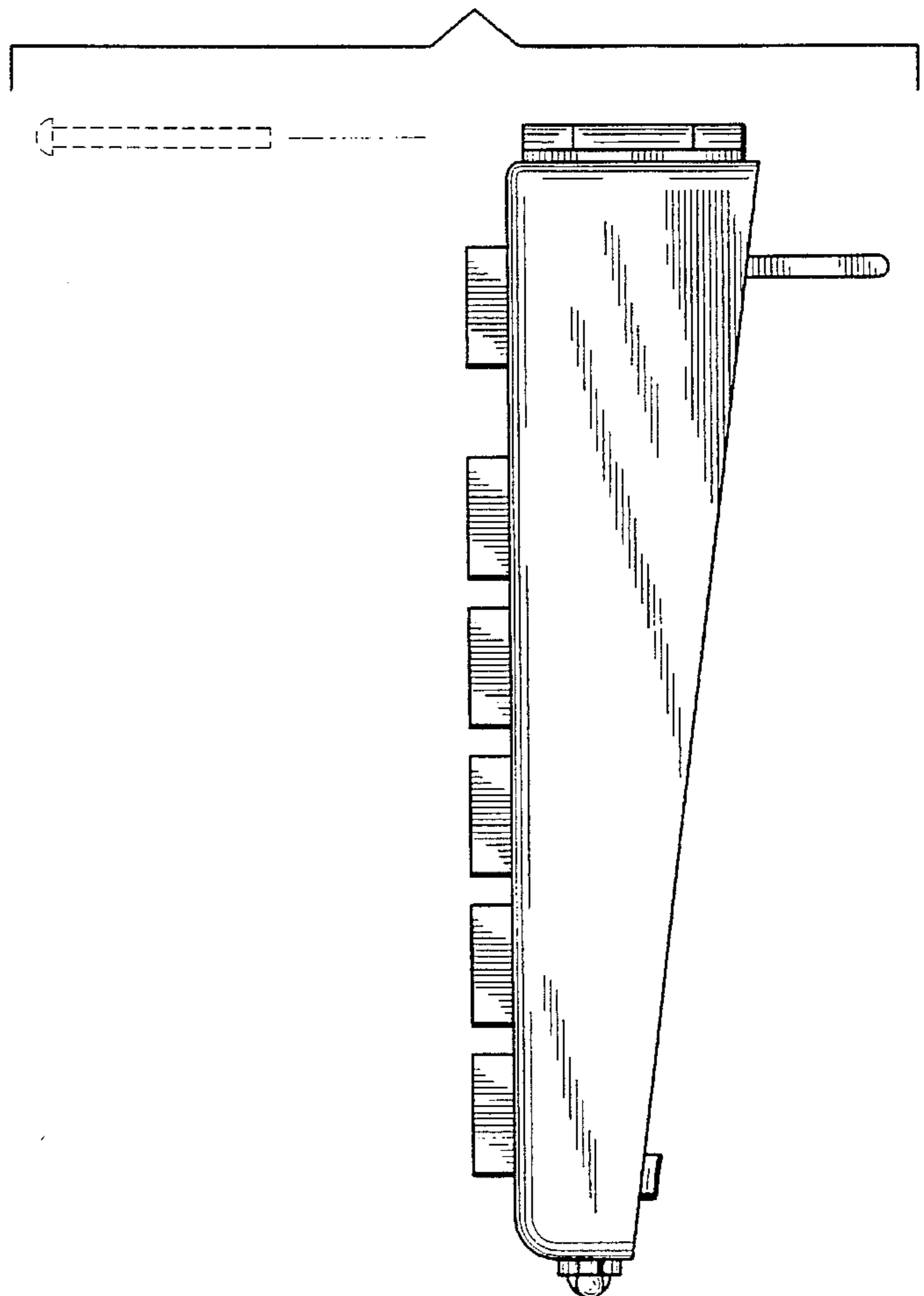


FIG. 5

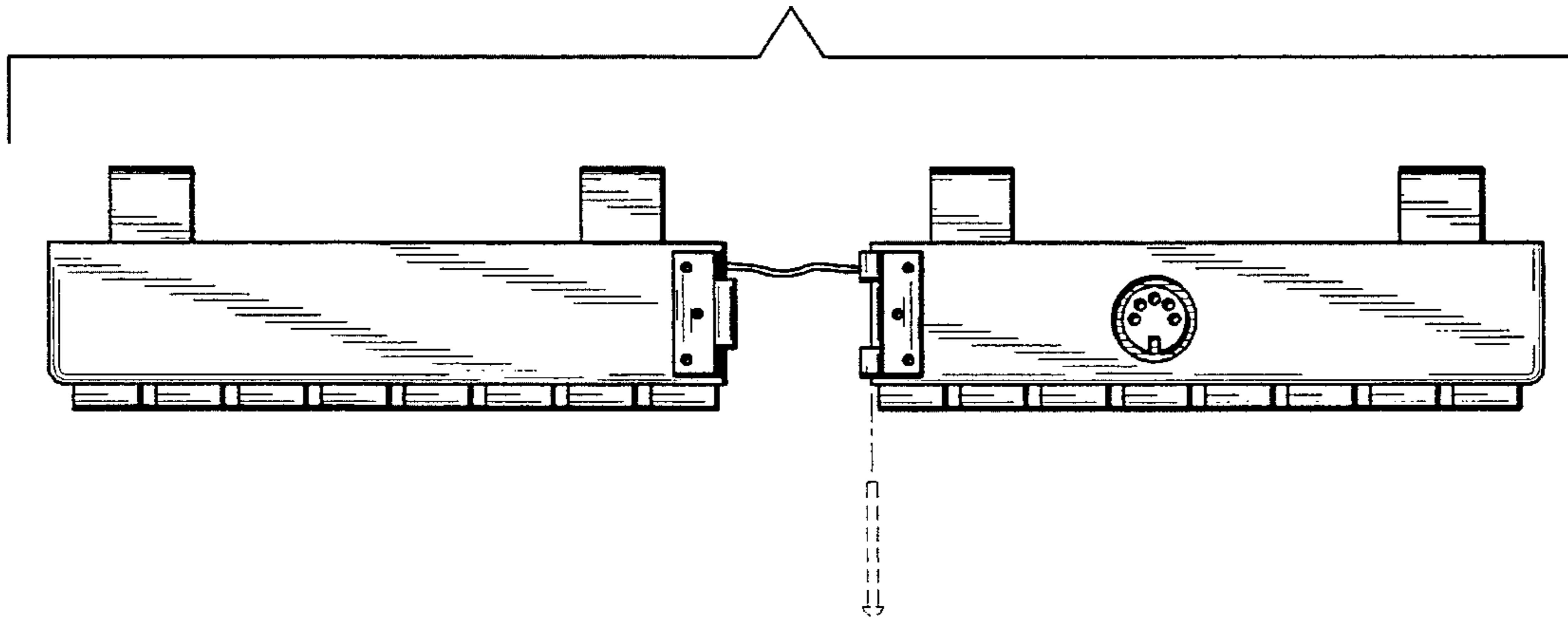


FIG. 6

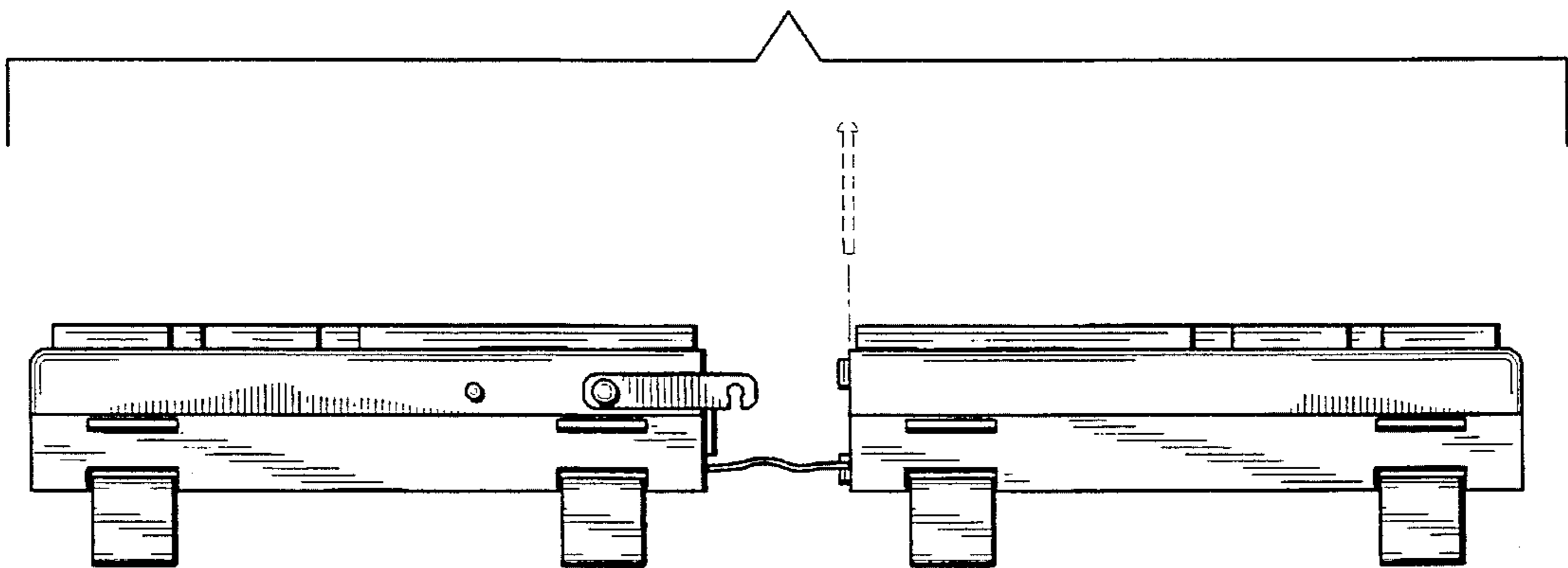


FIG. 7

