



US00D370475S

United States Patent [19]

Alfonso et al.

[11] Patent Number: **Des. 370,475**

[45] Date of Patent: ****Jun. 4, 1996**

[54] **FRONT PANEL OF COMPUTER**

D. 327,673 7/1992 Sherman D14/107
D. 359,481 6/1995 Alfonso et al. D14/115

[75] Inventors: **Pedro M. Alfonso**, Austin, Tex.; **Neil A. Baker**, Marysville, Ohio

Primary Examiner—Janice E. Seeger
Attorney, Agent, or Firm—Paul S. Drake

[73] Assignee: **International Business Machines Corporation**, Armonk, N.Y.

[57] **CLAIM**

[**] Term: **14 Years**

The ornamental design for the front panel of computer, as shown and described.

[21] Appl. No.: **25,111**

DESCRIPTION

[22] Filed: **May 31, 1994**

[52] U.S. Cl. **D14/115**; D14/114

[58] Field of Search D14/115, 107,
D14/114; D13/164, 177; 361/694

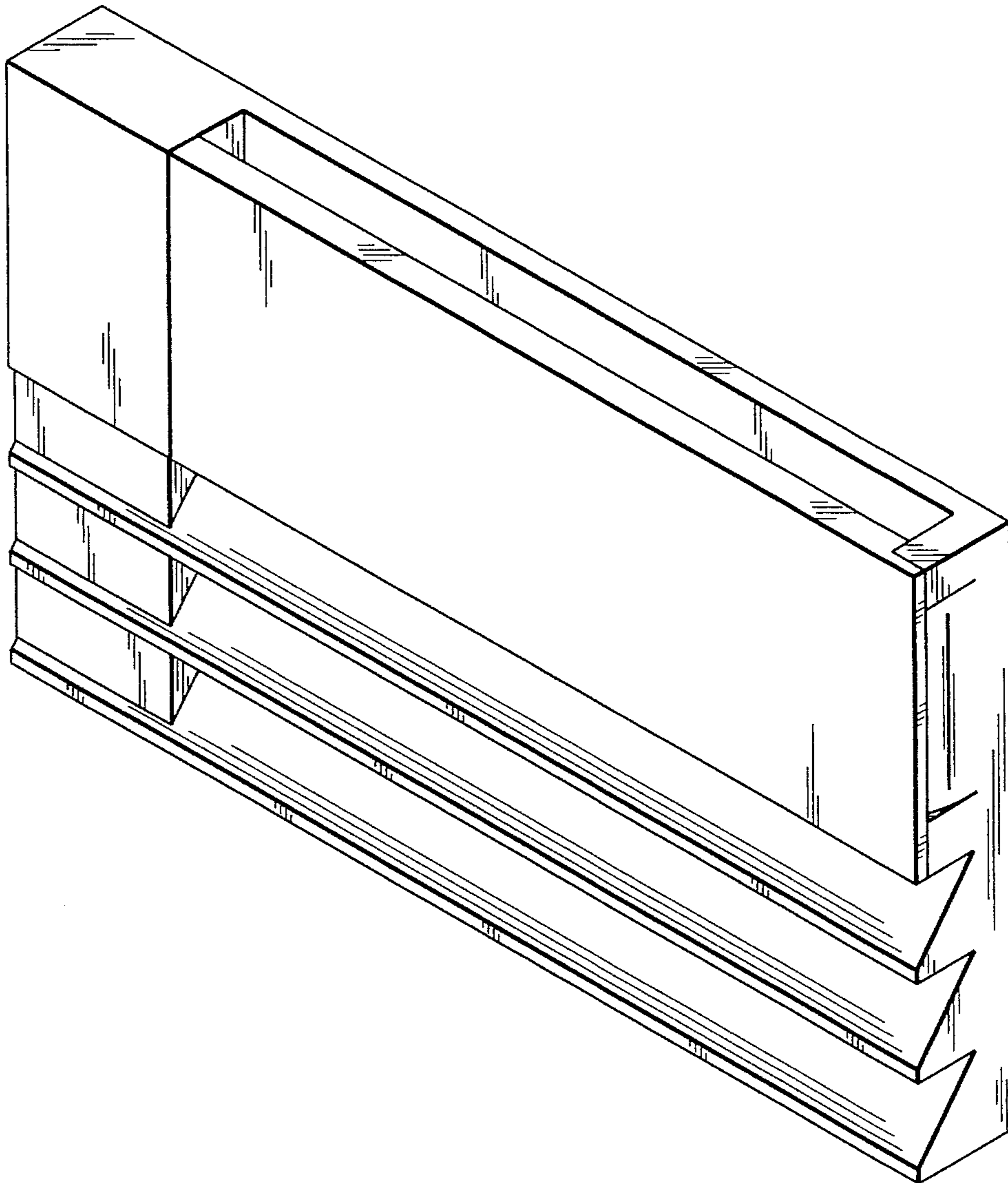
FIG. 1 is a front plan view thereof;
FIG. 2 is a left side plan view thereof;
FIG. 3 is a right side plan view thereof;
FIG. 4 is a top plan view thereof;
FIG. 5 is a bottom plan view thereof;
FIG. 6 is a top, front, right side perspective view thereof;
and,
FIG. 7 is a bottom, front, left side perspective view thereof.

[56] References Cited

U.S. PATENT DOCUMENTS

D. 153,051 3/1949 Waggoner D13/164
D. 306,438 3/1990 Garmon et al. D14/115

1 Claim, 5 Drawing Sheets



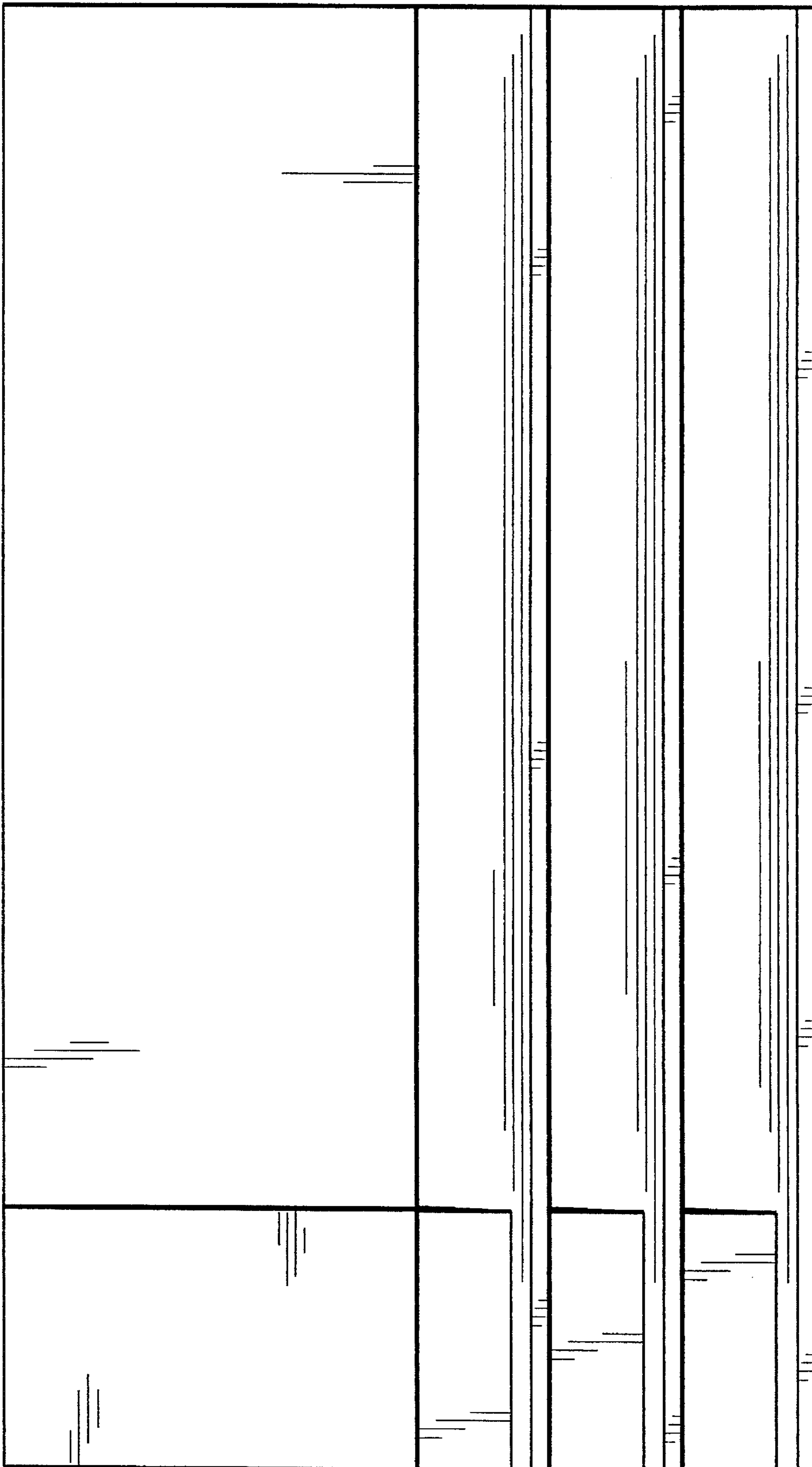


FIG. 1

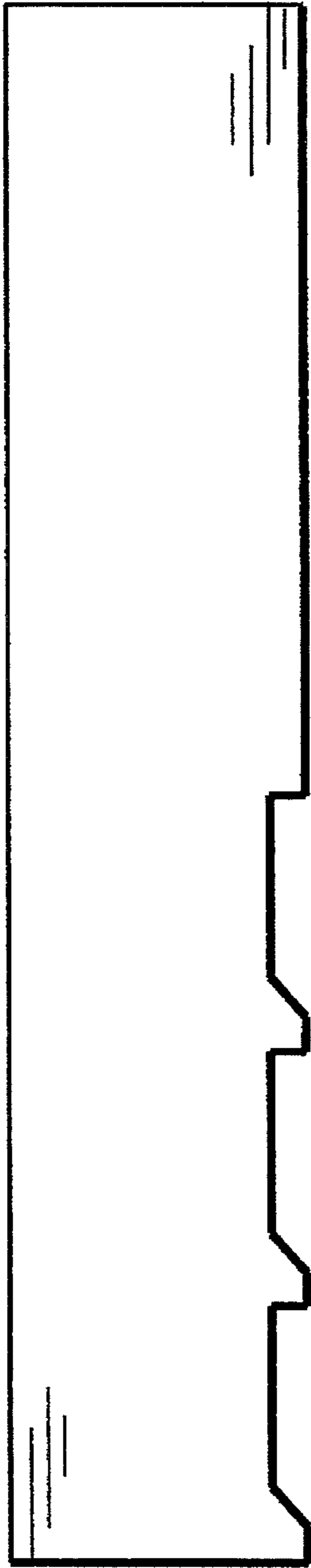


FIG. 2

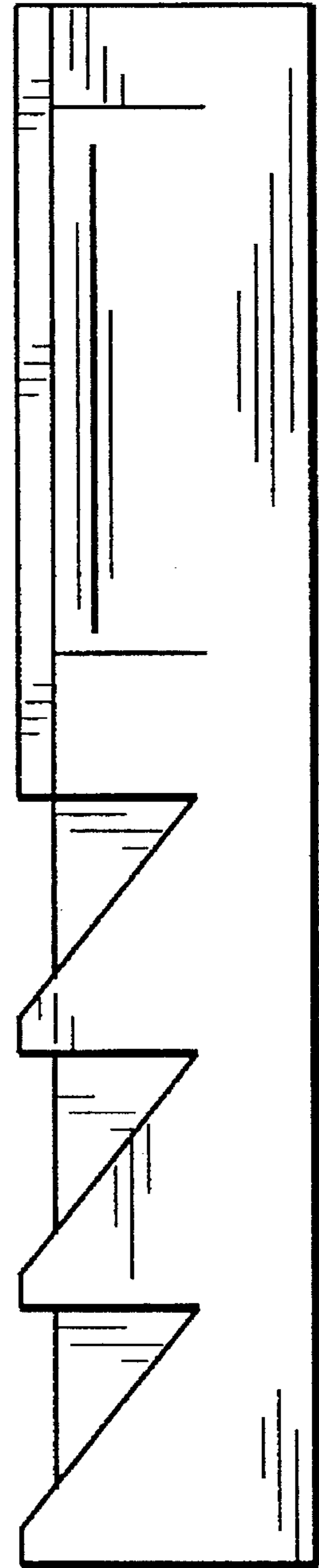


FIG. 3

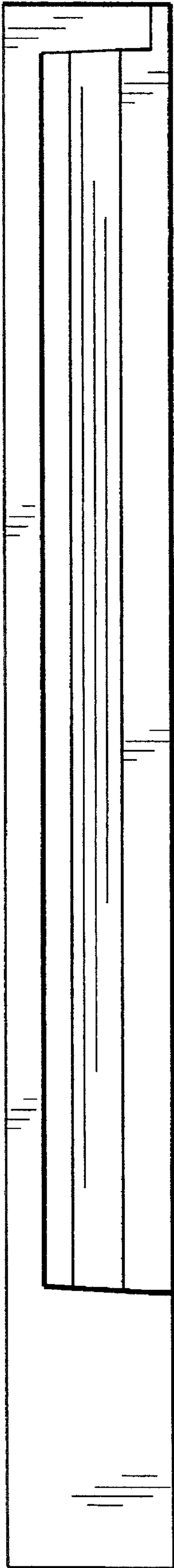


FIG. 4

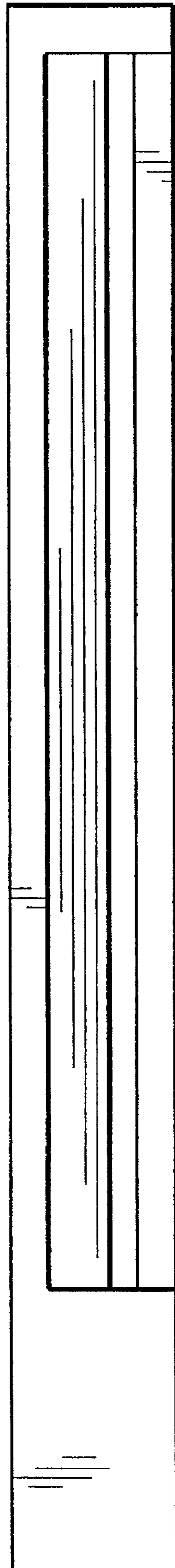


FIG. 5

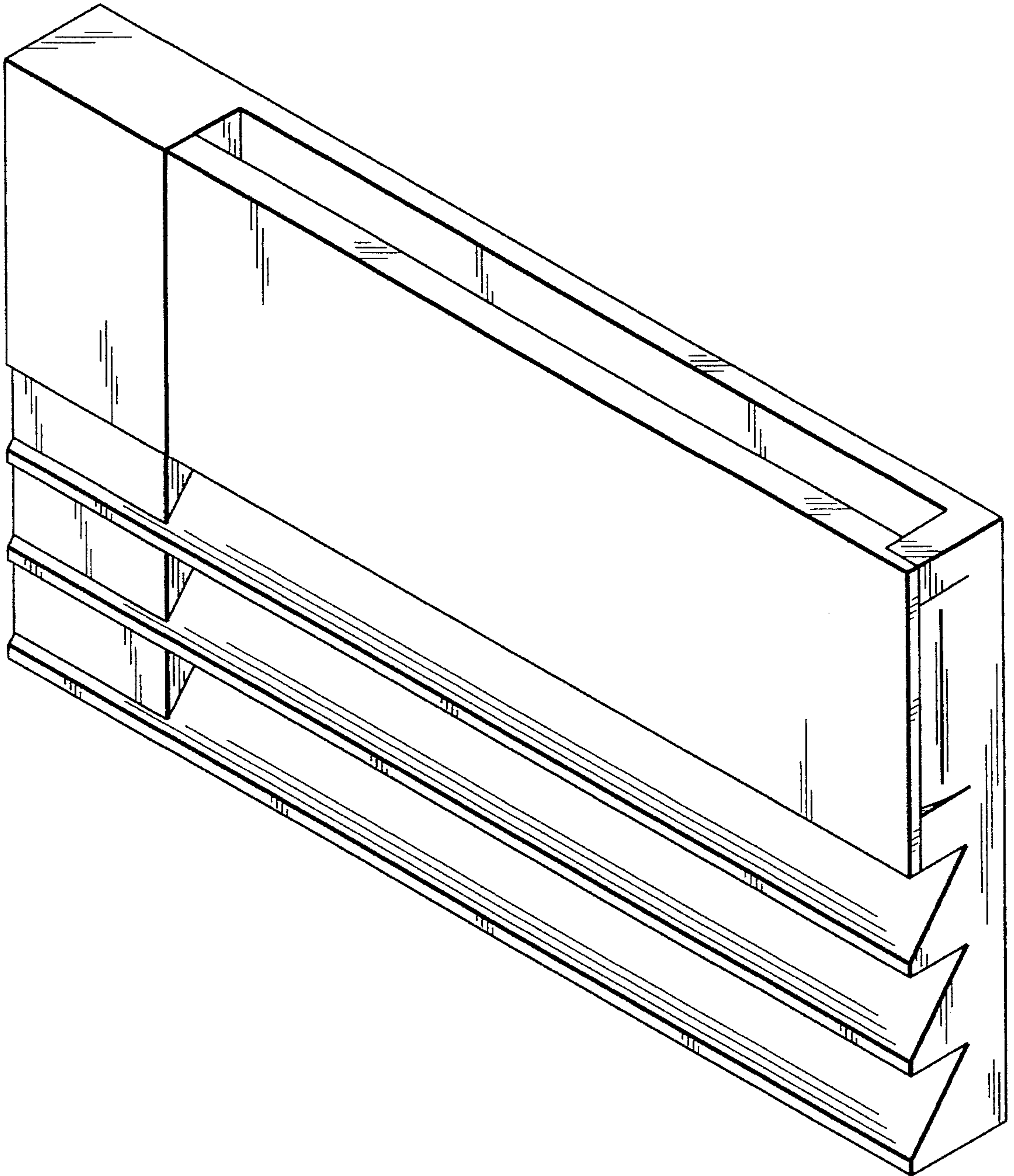


FIG. 6

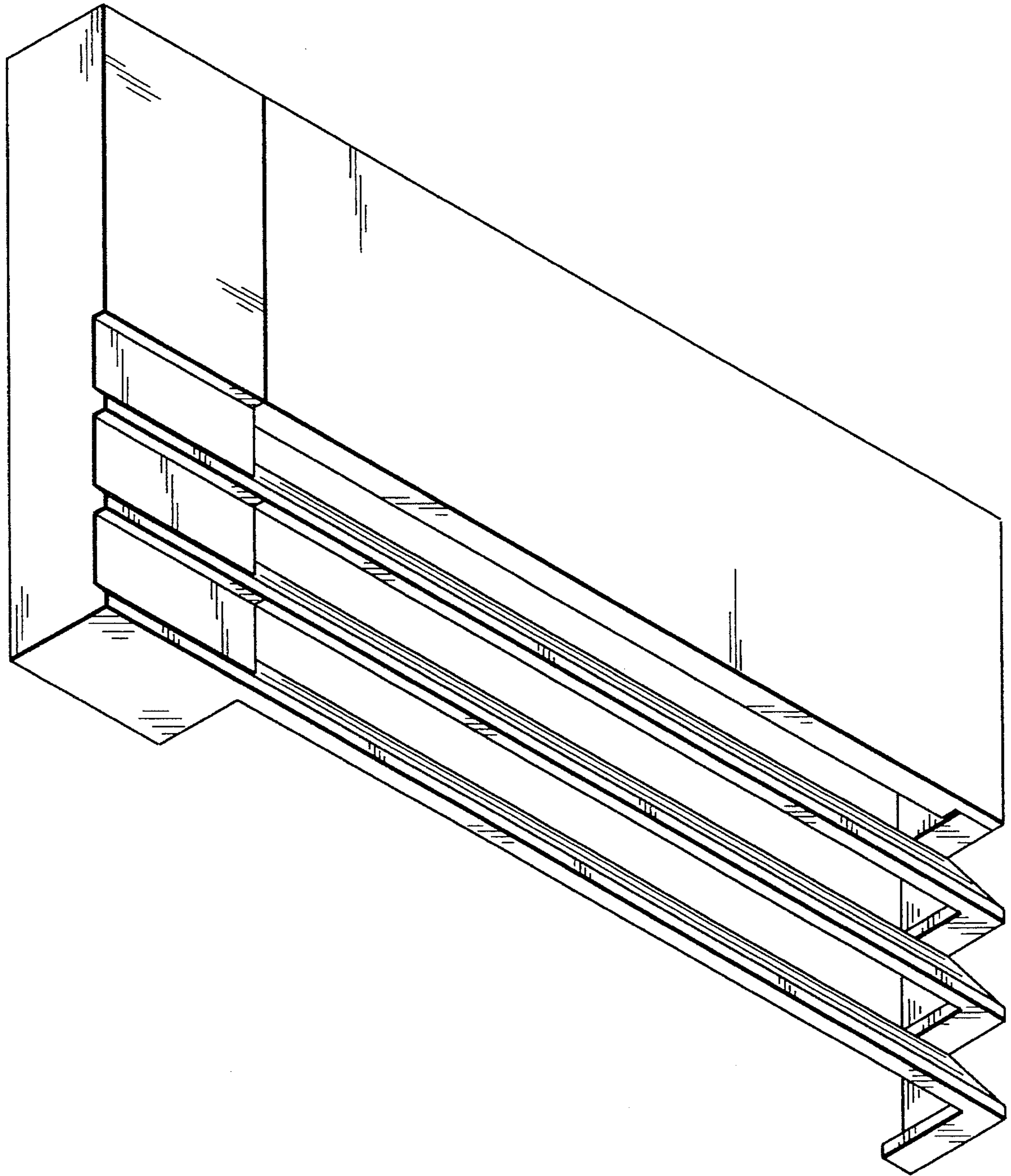


FIG. 7