



US00D370473S

United States Patent [19]

Derman

[11] Patent Number: **Des. 370,473**

[45] Date of Patent: ****Jun. 4, 1996**

[54] DISK DRIVE LOCKING DEVICE

5,355,272 10/1994 Kung 360/137
5,400,622 3/1995 Harmon 70/14

[76] Inventor: **Jay S. Derman**, P.O. Box 949,
Redondo Beach, Calif. 90277

Primary Examiner—M. H. Tung
Attorney, Agent, or Firm—Monty Koslover

[**] Term: **14 Years**

[57] CLAIM

[21] Appl. No.: **32,732**

The ornamental design for a disk drive locking device, as shown and described.

[22] Filed: **Dec. 27, 1994**

[52] U.S. Cl. **D14/114**

[58] Field of Search D14/114; 70/5,
70/14, 58; 360/30, 133, 137; D8/347, 331

DESCRIPTION

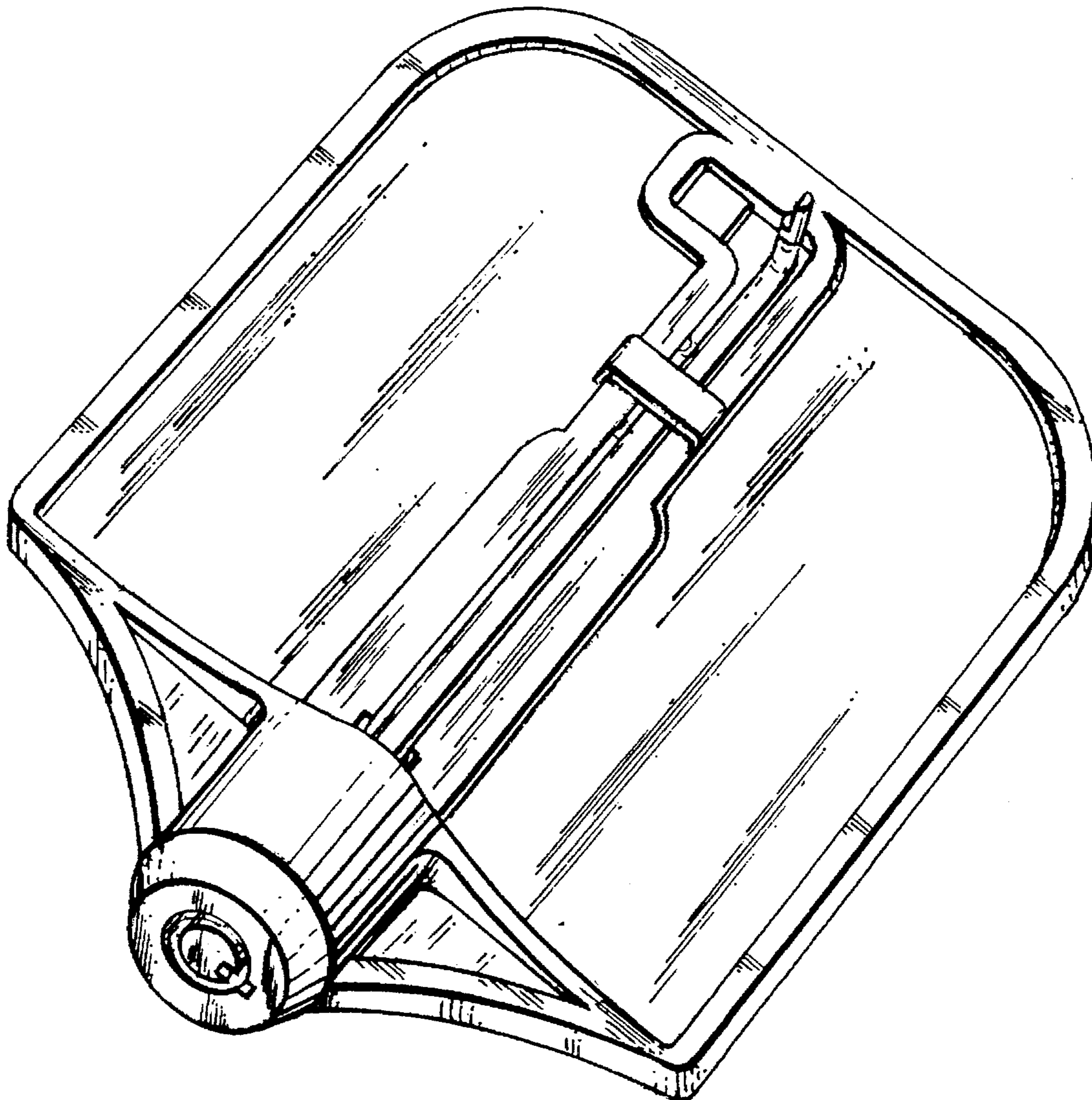
[56] References Cited

U.S. PATENT DOCUMENTS

4,640,106	2/1987	Derman	70/14
4,794,587	12/1988	Cordiano	70/14 X
4,907,111	3/1990	Derman	70/14 X
5,136,862	8/1992	Langen	70/14
5,268,809	12/1993	Eschenburg	70/14 X
5,305,621	4/1994	Broadwater	360/137 X

FIG. 1 is a front perspective view of a disk drive locking device, showing my new design;
FIG. 2 is a side elevational view thereof, the opposite side elevational view is a mirror image;
FIG. 3 is a top plan view thereof;
FIG. 4 is a bottom plan view thereof;
FIG. 5 is a front elevation view thereof; and,
FIG. 6 is a rear elevational view thereof.

1 Claim, 1 Drawing Sheet



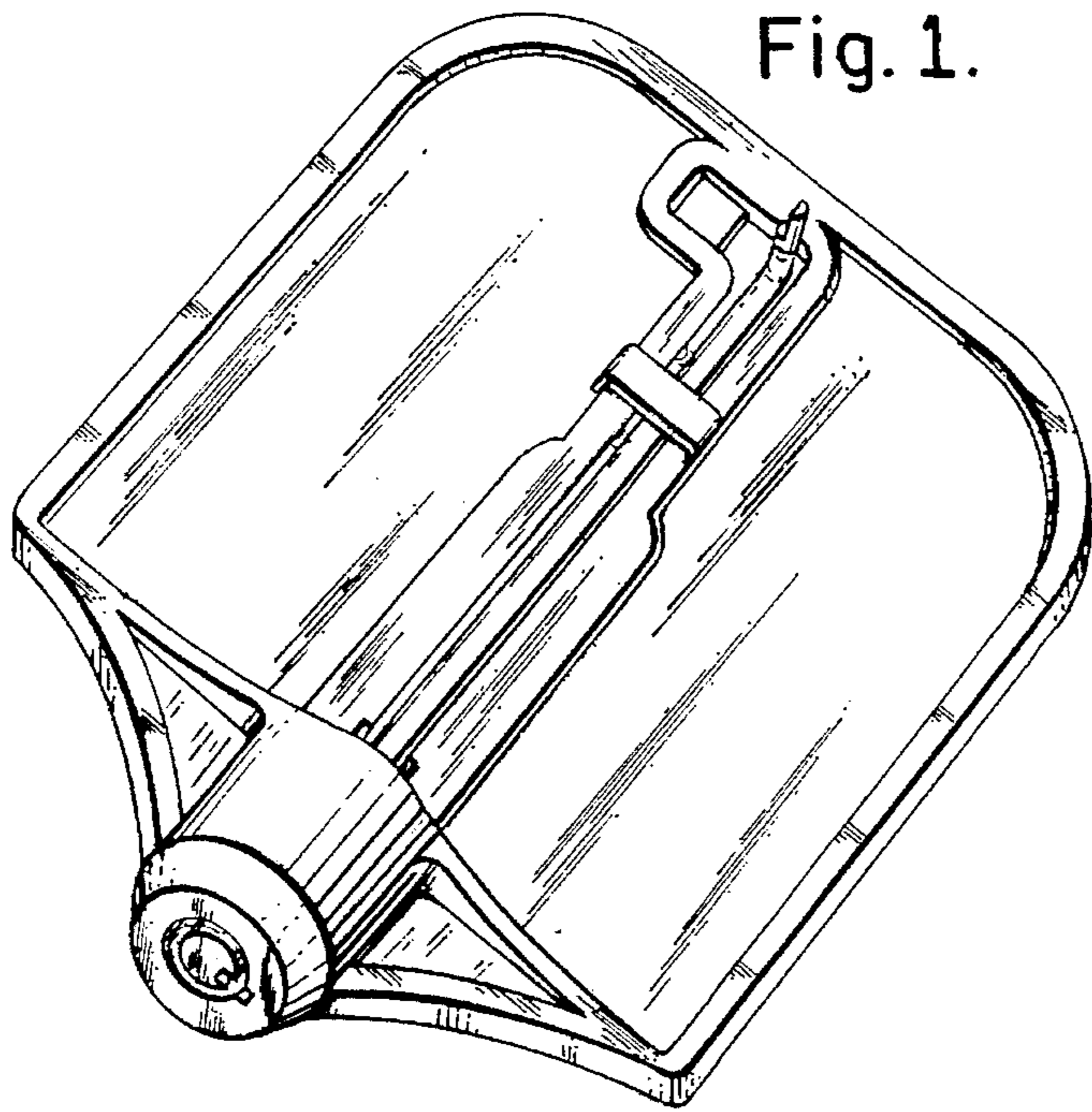


Fig. 2.

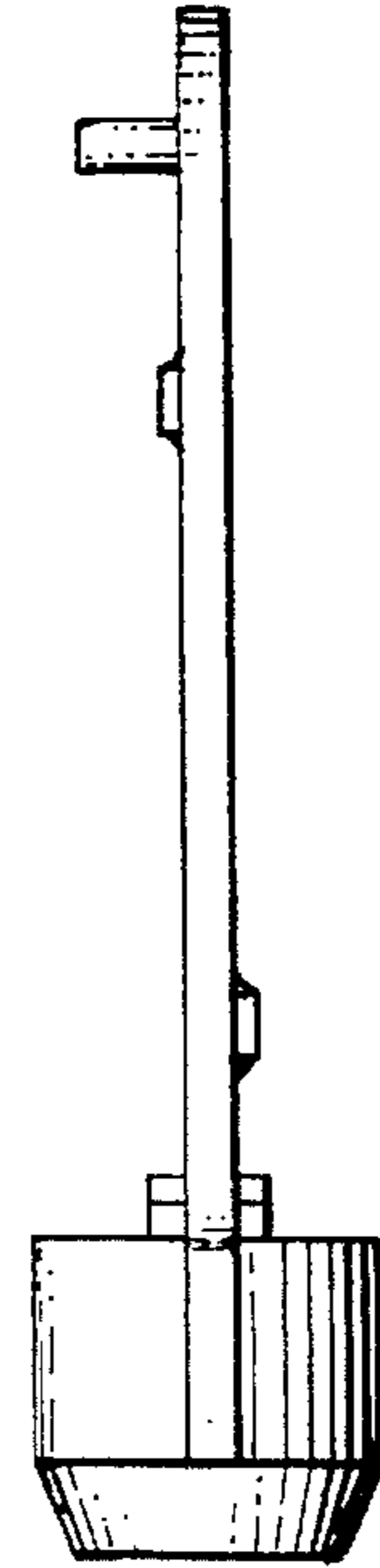


Fig. 3.

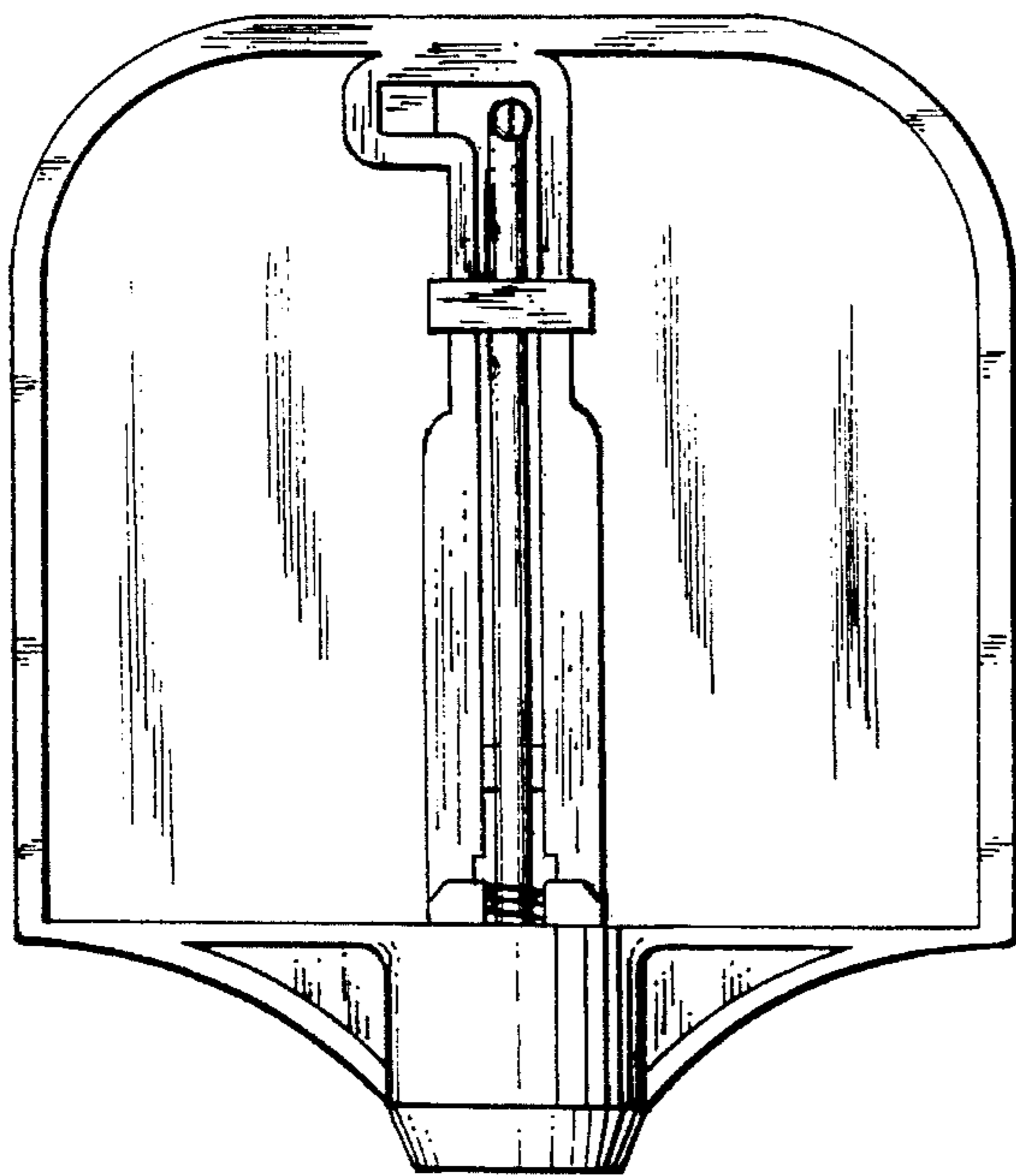


Fig. 4.

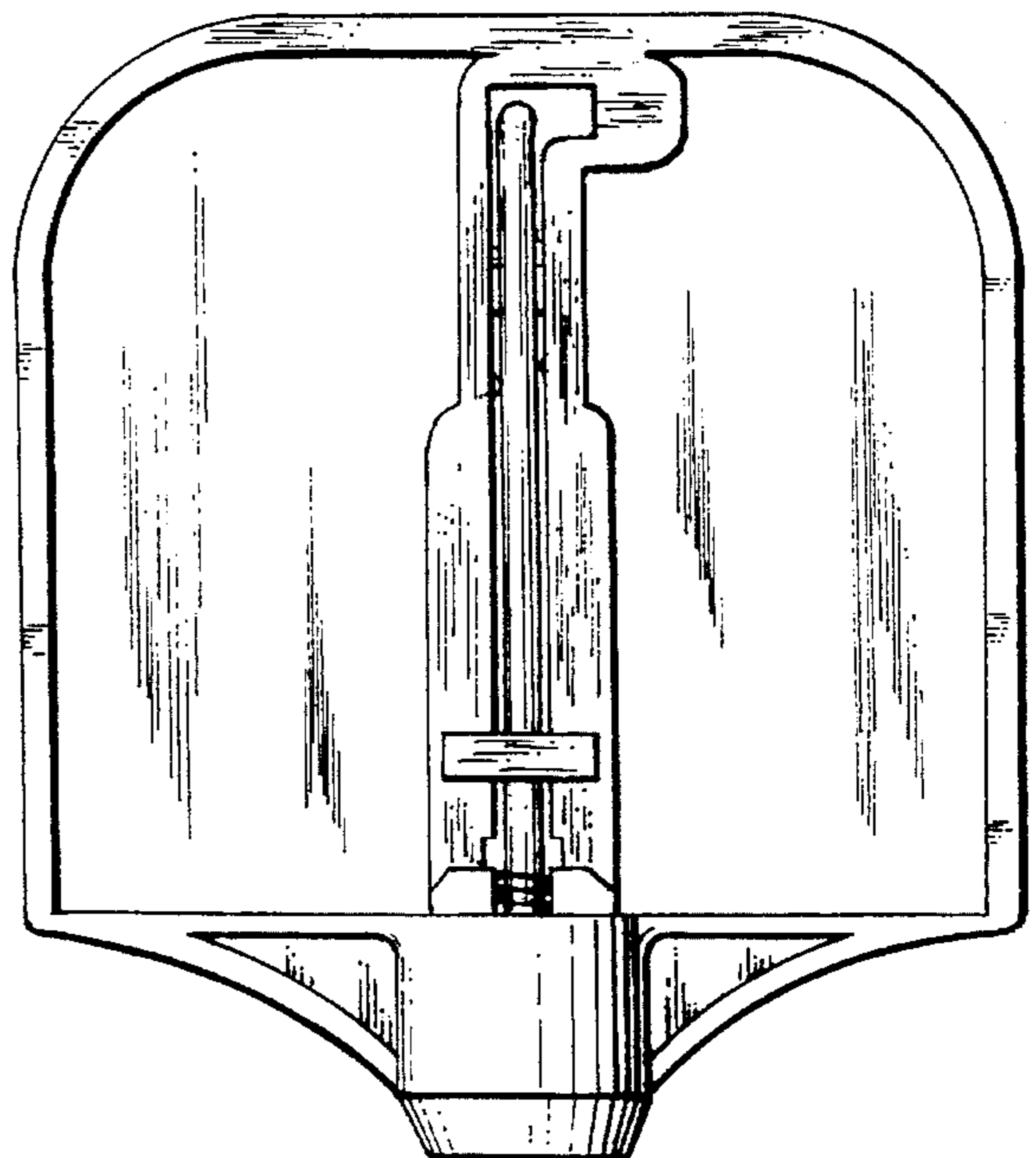


Fig. 5.

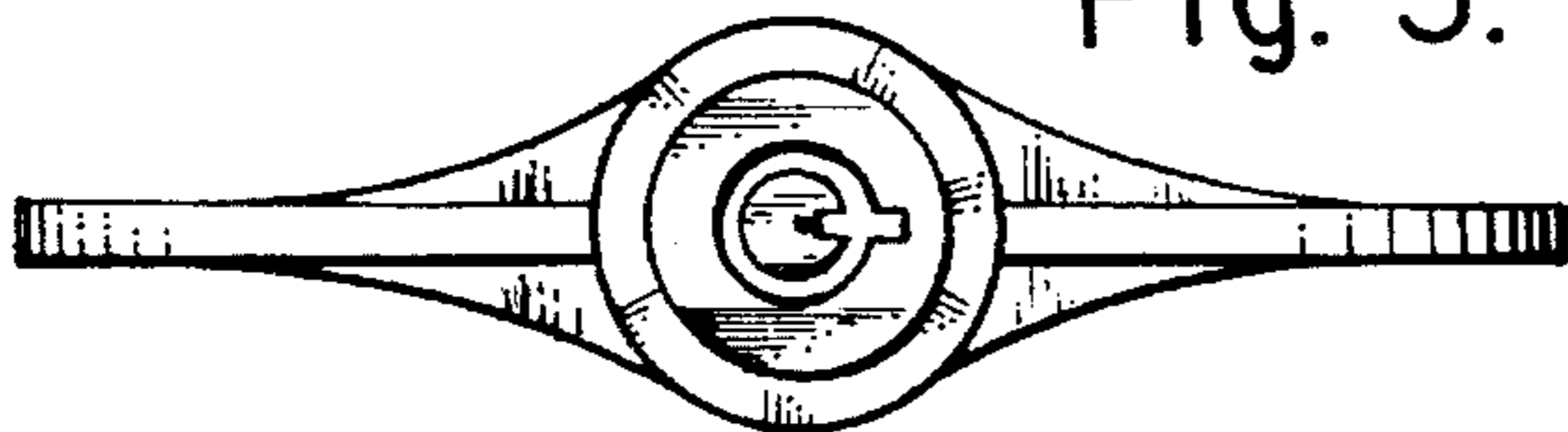


Fig. 6.

