



US00D370471S

United States Patent [19]

[11] Patent Number: **Des. 370,471**

Au

[45] Date of Patent: ****Jun. 4, 1996**

[54] HOUSING FOR A SCANNING, FAXING AND PRINTING MACHINE

[75] Inventor: **Nelson S. Au**, Foster City, Calif.

[73] Assignee: **Xerox Corporation**, Stamford, Conn.

[**] Term: **14 Years**

[21] Appl. No.: **25,467**

[22] Filed: **Jun. 30, 1994**

[52] U.S. Cl. **D14/107; D18/50; D18/55**

[58] Field of Search D18/50, 51, 52, D18/54-55; D14/105, 107, 118; 250/566, 568, 569; 358/400, 401, 408, 472, 474, 497; D19/60; 400/690-694, 613, 613.1-613.4, 690.1-690.4, 88; 101/76, 93.4, 269, 91

[56] References Cited

U.S. PATENT DOCUMENTS

D. 260,884	9/1981	Sakamoto	D14/105
D. 297,237	8/1988	Long	D14/105
D. 334,383	3/1993	Grosse	D14/118
D. 346,163	4/1994	Sowden	D14/118
D. 351,144	10/1994	Fishbine et al.	D14/107
D. 355,179	2/1995	Sawada et al.	D14/118
4,872,061	10/1989	Ochigama	358/400
5,126,855	6/1992	Saito	358/401
5,317,422	5/1994	Fujimoto	358/400
5,329,377	7/1994	Gregg	358/400
5,355,152	10/1994	Porter et al.	101/76

FOREIGN PATENT DOCUMENTS

495433	7/1992	European Pat. Off.	358/401
70867	4/1985	Japan	358/400
0219863	11/1985	Japan	358/400

OTHER PUBLICATIONS

Brochure No. (PFC-Full-Jun./1994) entitled, "Panafax Facsimile Line," Panasonic Communications & Systems Company, Div. of Matsushita Electric Corp. of America, Secaucus, N.J.

Primary Examiner—Cathy Anne MacCormac

[57] CLAIM

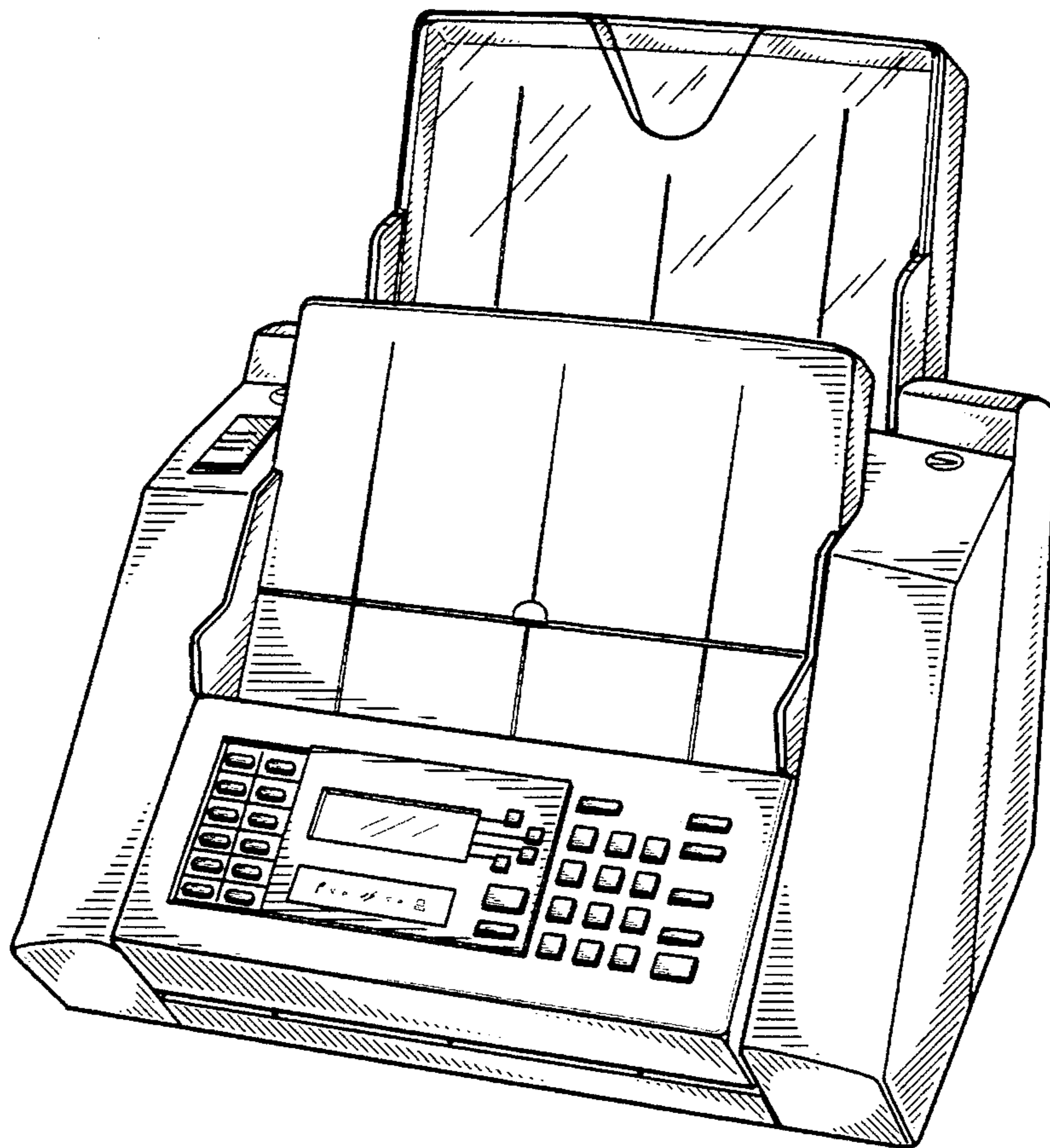
The ornamental design for a housing for a scanning, faxing and printing machine, as shown.

DESCRIPTION

FIG. 1 is a frontal perspective view of an housing for a scanning, faxing and printing machine showing my new design;

FIG. 2 is a front view;
FIG. 3 is a left side view;
FIG. 4 is a right side view;
FIG. 5 is a rear view;
FIG. 6 is a top view;
FIG. 7 is a reduced bottom plan view; and,
FIG. 8 is a reduced perspective view from the top, rear and one side.

1 Claim, 8 Drawing Sheets



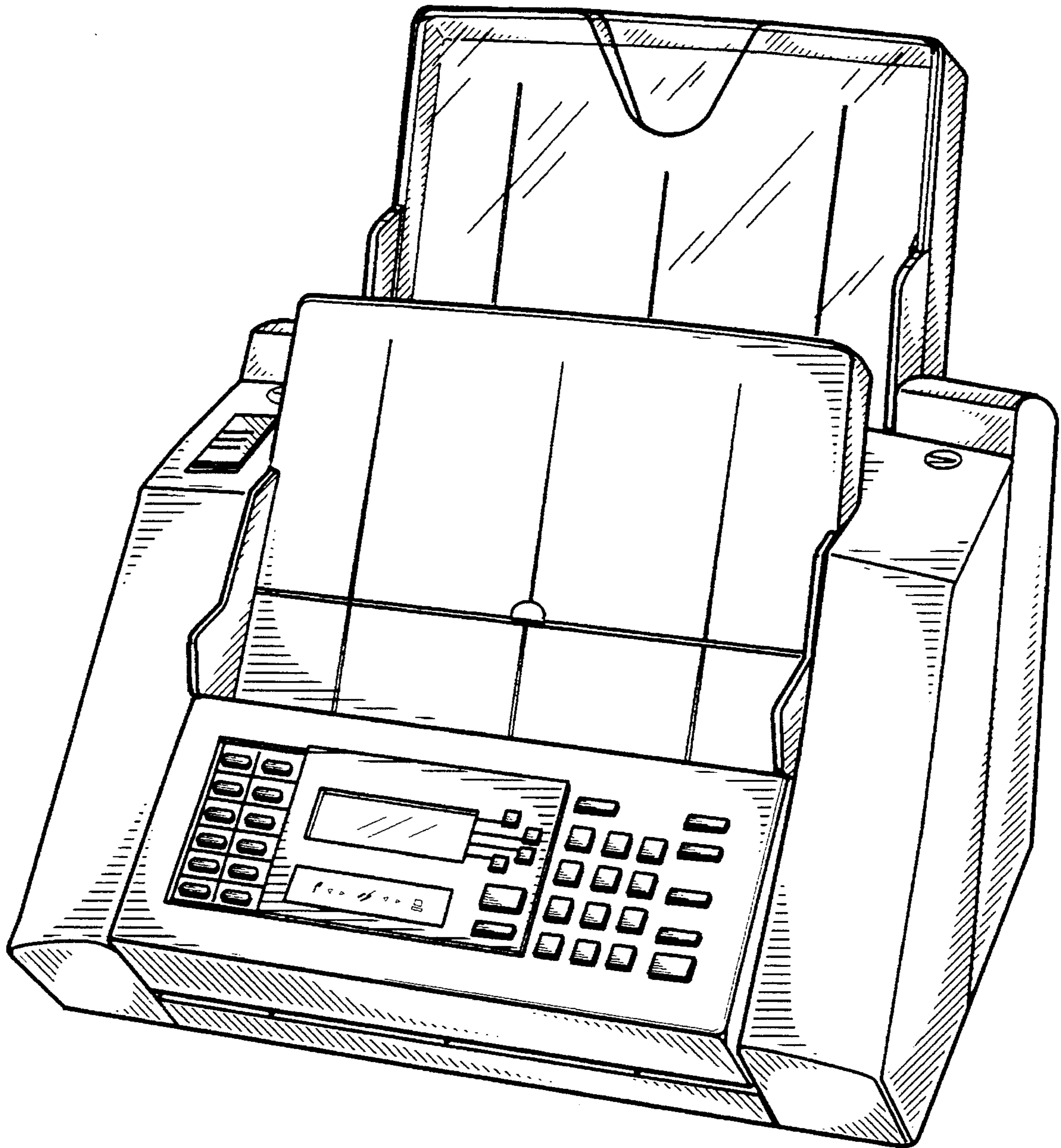


Fig. 1

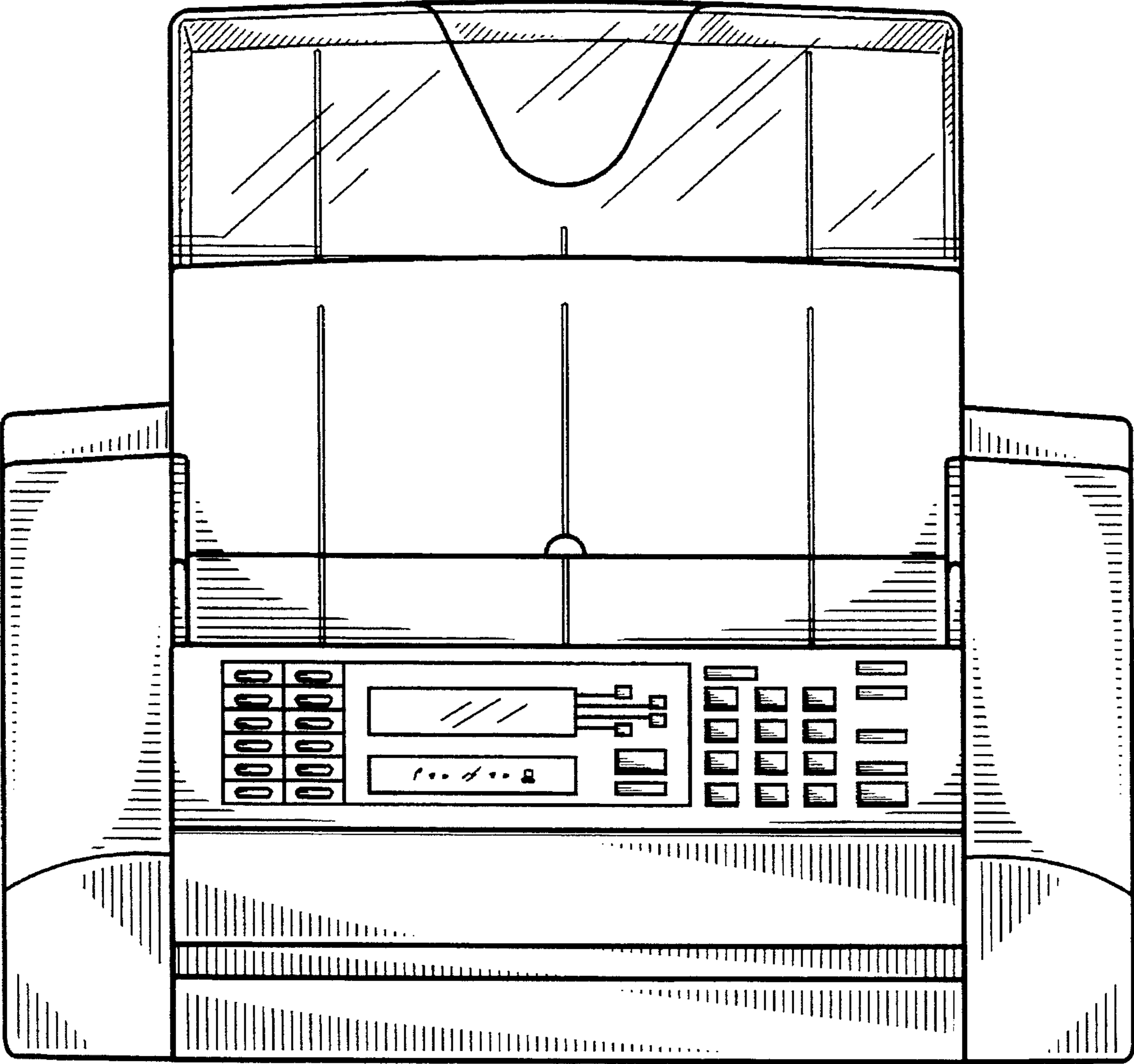


Fig. 2

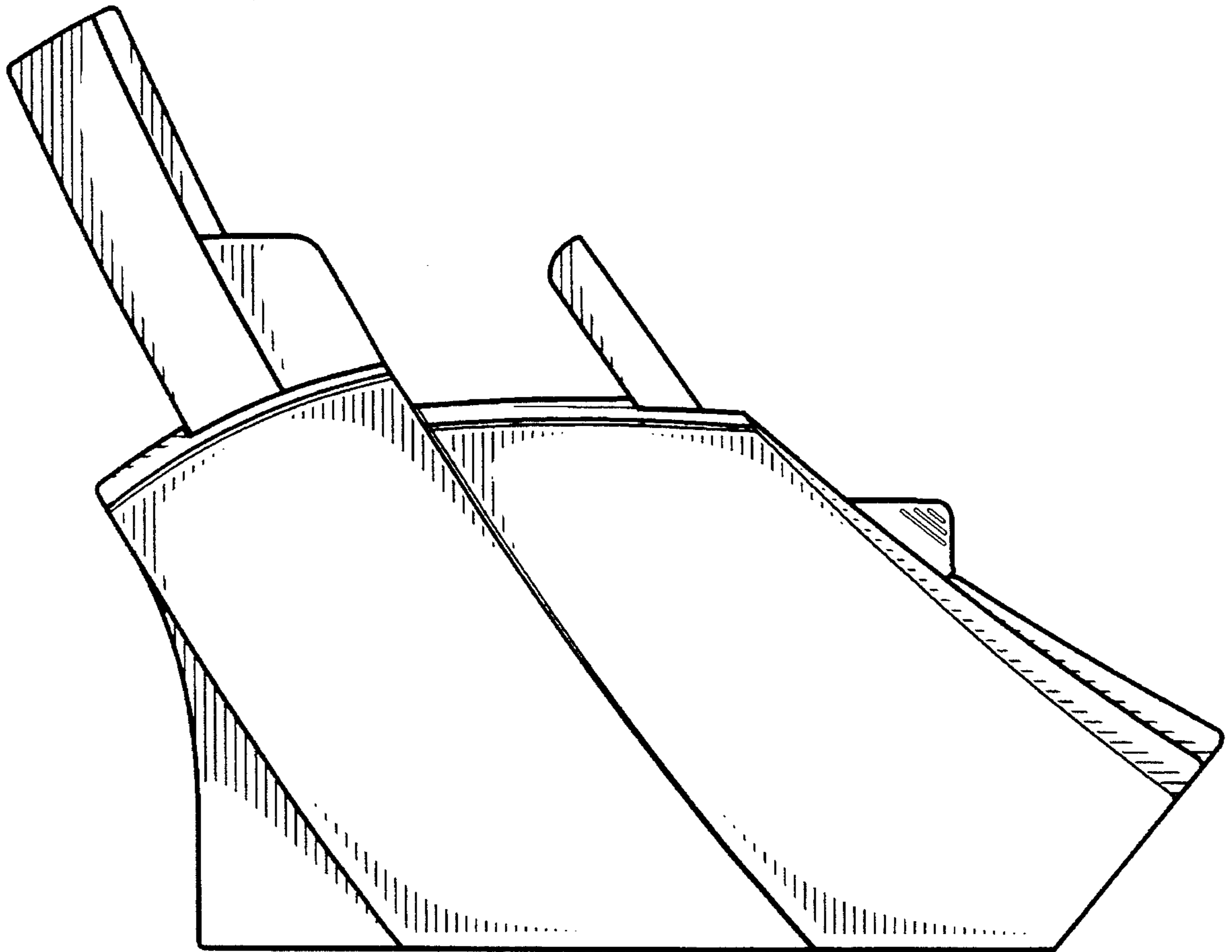


Fig. 3

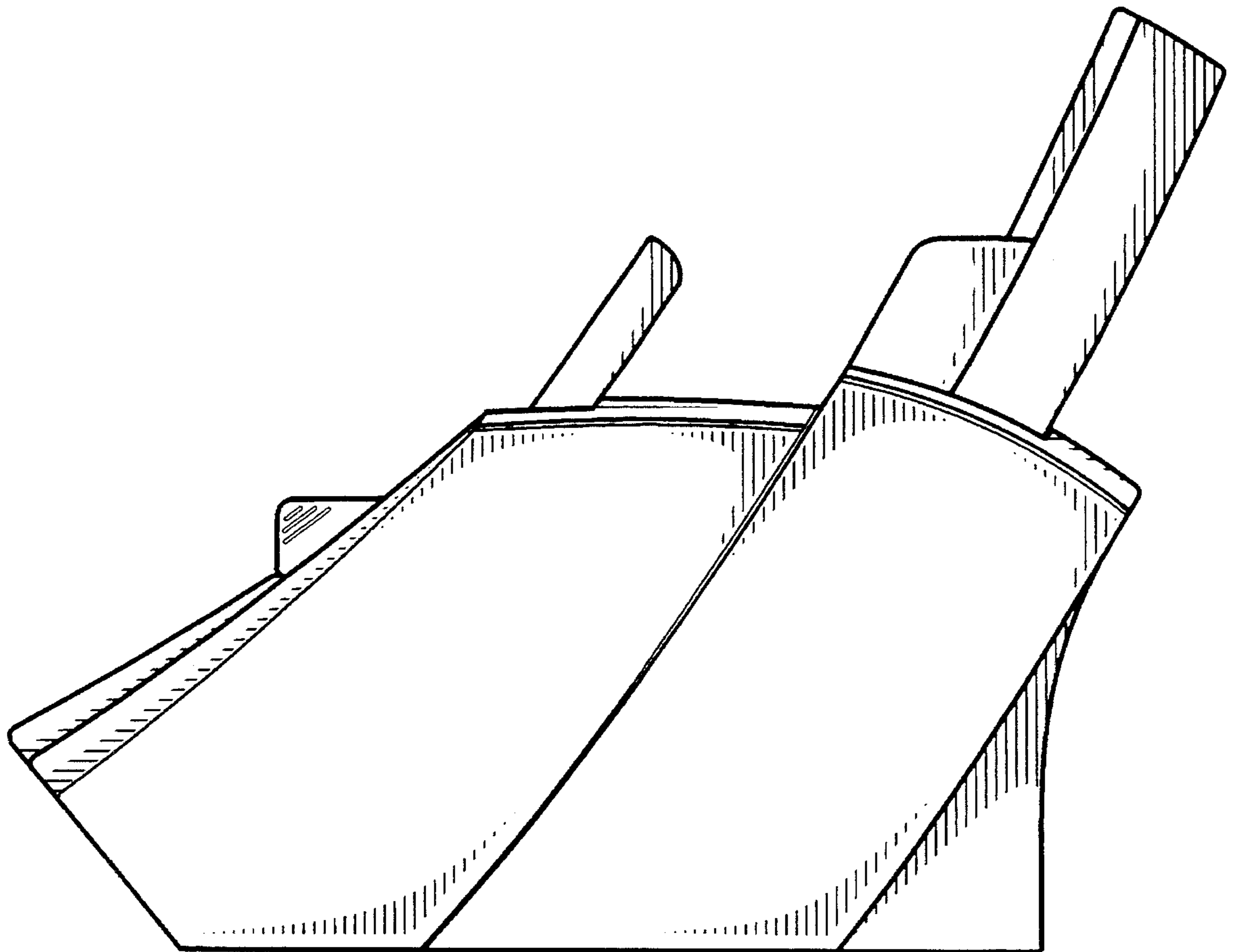


Fig. 4

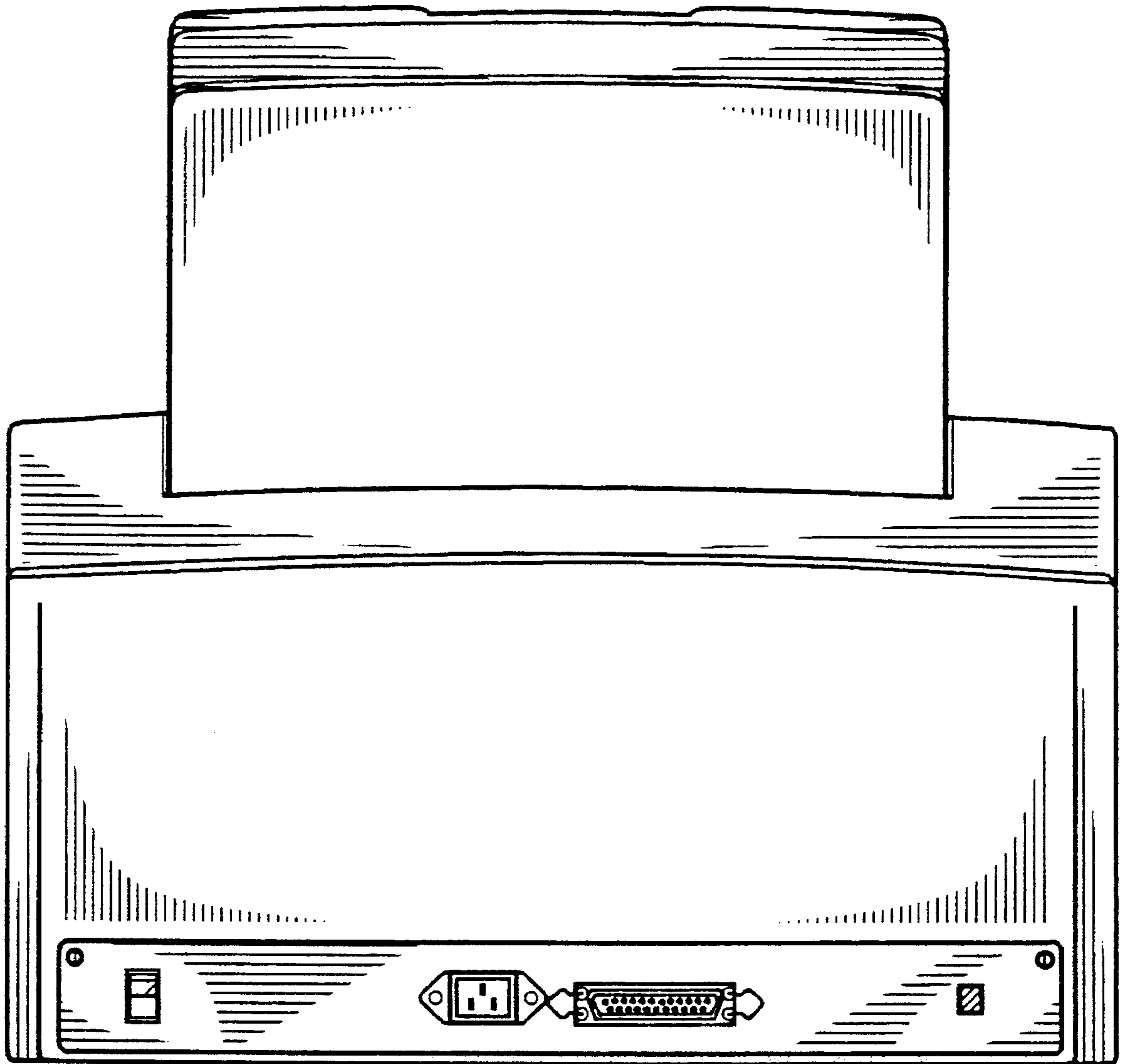


Fig. 5

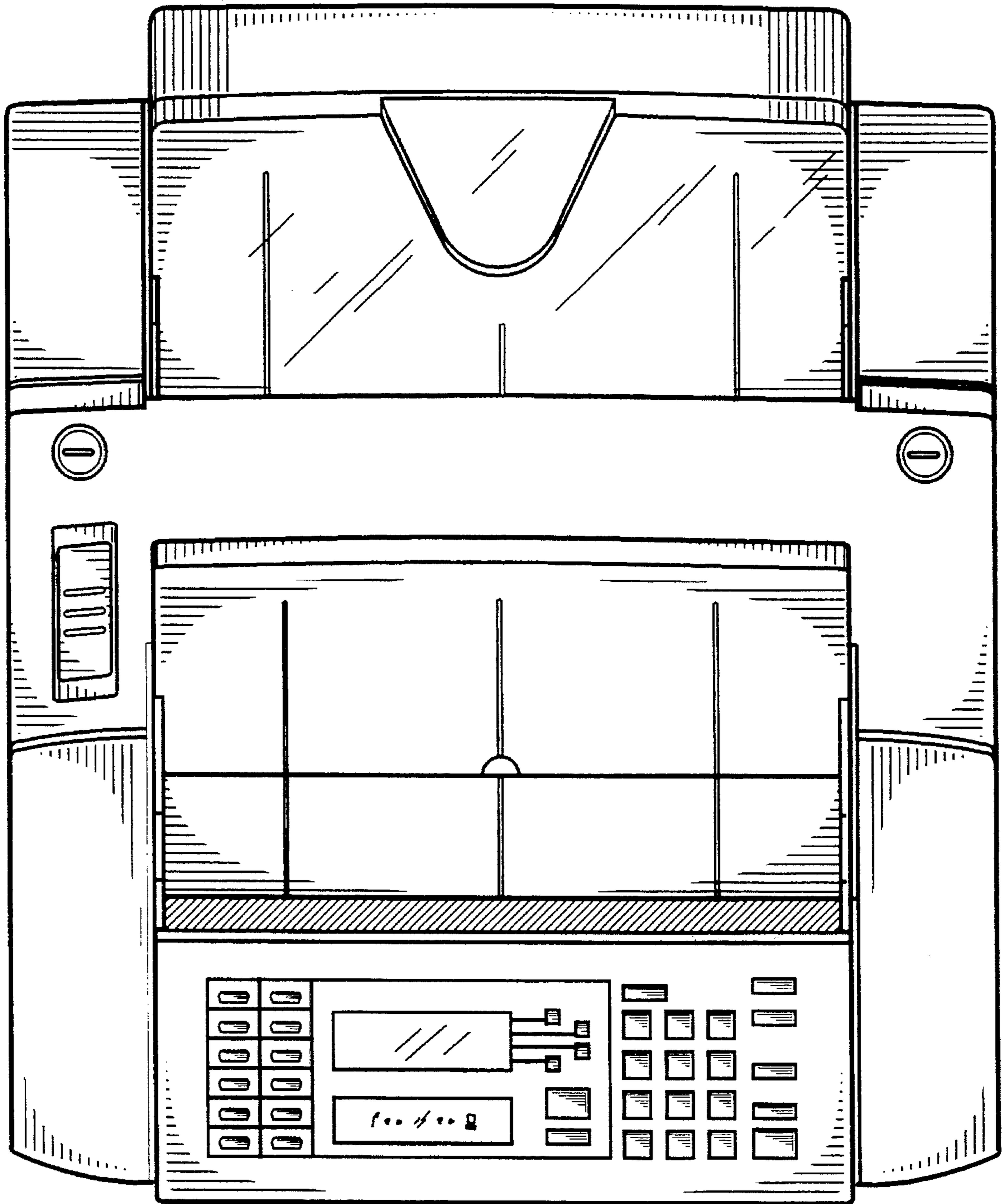


Fig. 6

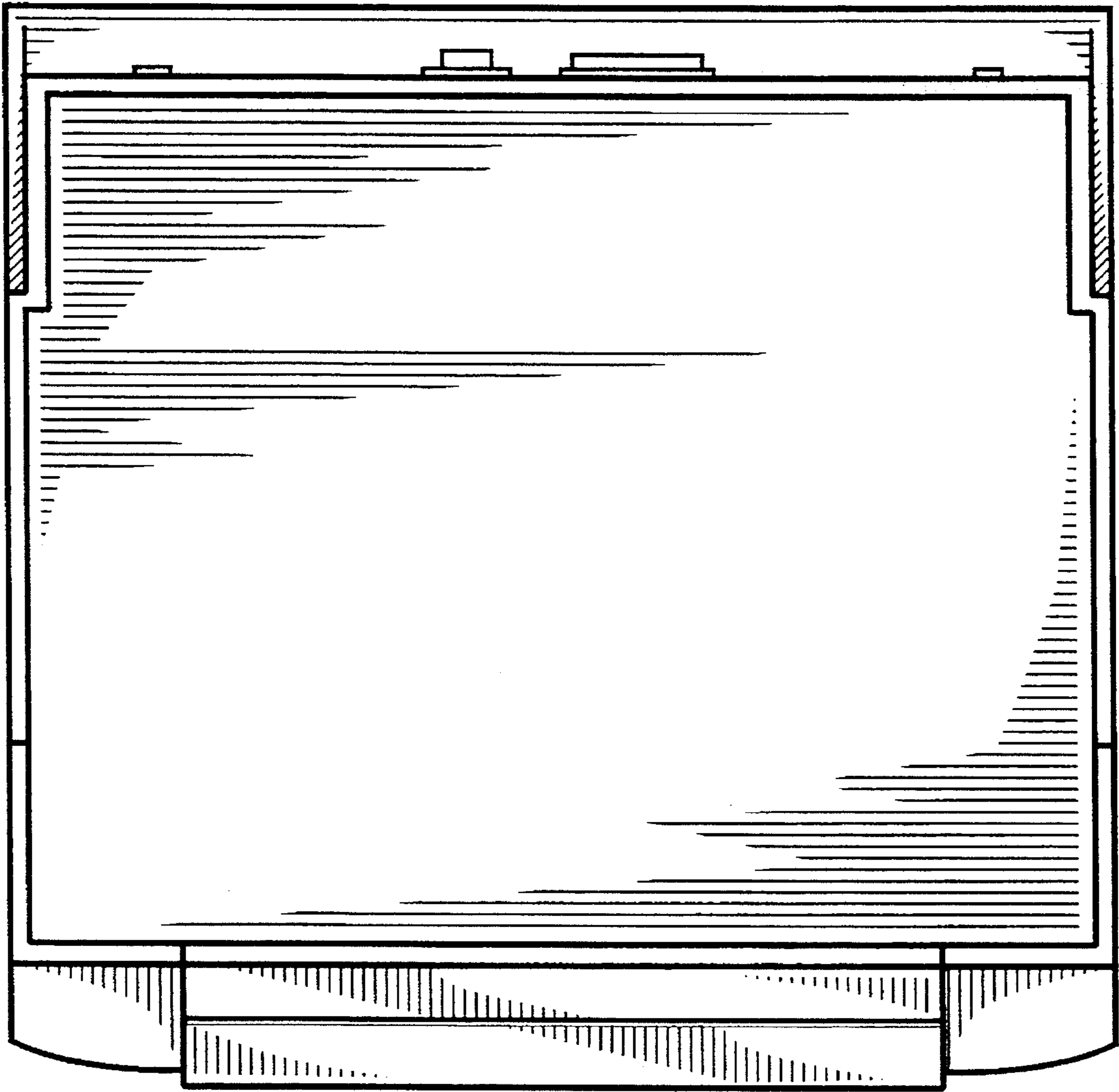


Fig. 7

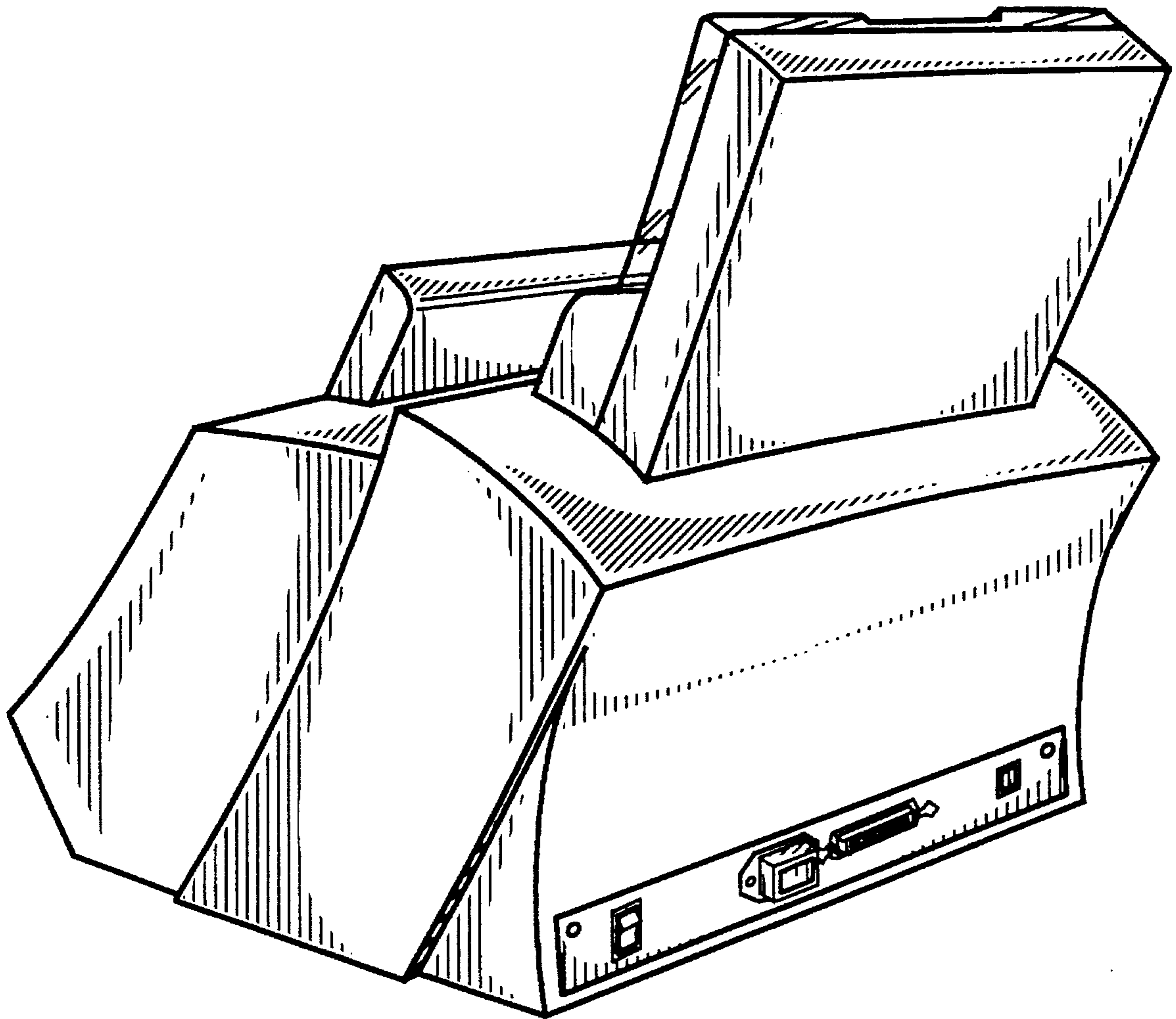


Fig. 8