



US00D370469S

# United States Patent [19] Kondo

[11] **Patent Number: Des. 370,469**  
[45] **Date of Patent: \*\*Jun. 4, 1996**

[54] **ELECTRONIC COMPUTER**

[75] Inventor: **Osamu Kondo**, Tokyo, Japan

[73] Assignee: **Kabushiki Kaisha Toshiba**, Kanagawa, Japan

[\*\*] Term: **14 Years**

[21] Appl. No.: **37,158**

[22] Filed: **Apr. 5, 1995**

[30] **Foreign Application Priority Data**

Oct. 5, 1994 [JP] Japan ..... 6-30100

[52] **U.S. Cl.** ..... **D14/106**

[58] **Field of Search** ..... D14/100, 101, D14/106, 113, 115, 124-129; D18/1, 2, 7; 235/145 A, 145 R; 341/22, 23; 345/104, 156, 168, 173, 160, 901-905, 87; 361/679-686; 364/708.1, 709.04, 709.12; 400/486, 489

[56] **References Cited**

**U.S. PATENT DOCUMENTS**

- D. 308,860 6/1990 Tsukada et al. .... D14/106
- D. 310,213 8/1990 Tsukada et al. .... D14/106
- D. 312,822 12/1990 Watabe et al. .... D14/106
- D. 327,473 6/1992 Iino ..... D14/106

(List continued on next page.)

**FOREIGN PATENT DOCUMENTS**

- M8802901 5/1989 Germany .
- M9106060 2/1992 Germany .
- M9106802 3/1992 Germany .

(List continued on next page.)

**OTHER PUBLICATIONS**

Toshiba 1993 two page brochure for T3400CT laptop computer.

Japanese Article, Tandy 200, Mar. 16, 1985.

Minttel 5, Portable and Multi-Norm Terminal Developed for the French Post and Telecommunication Administration, Matra Communication, NEC, (1987).

Rein, Laptop 300 SLC, AT-Kompatibel, Floppy disk 1.2 MB, Hard Disk 20 MB, Plasma Display, mit EGA und CGA-Graphik-Mode (Oct. 29, 1987).

Denpa Sinbun to Nihon NCR, Oct. 27, 1993.

Sharp, AX286N-H2, May 18, 1990, All in Note. Catalog, NEC Mar. 19, 1994 (date on which the copy was obtained by the applicant).

MultiSpeed EL Model, The Bright Move, NEC (1958).

Ricoh-Magnus Feb. 1, 1990 (in Japanese).

Mitsubishi Maxy (May 15, 1990) (two pages in Japanese).

52 Note (May 15, 1991).

Goldstar, GS620, 386SX/20MHz AT-Compatible Notebook 1991.

Mobile Office, Contact Management, Top Ten Programs Compared (Jun. 1991).

Travel Mate—Texas Instruments (Feb. 5, 1992).

if Note, OKI, obtained Feb. 5, 1992.

BriteLite IPX—Daisin Electric Nihon Kogyo Shinbun (Feb. 19, 1992).

Everex 5.2 Lightweight Champion of the World, Jun. 22, 1989.

Newspaper, Mitac Japan, Jul. 18, 1994.

*Primary Examiner*—Freda Nunn  
*Attorney, Agent, or Firm*—Banner & Allegretti, Ltd.

[57] **CLAIM**

The ornamental design for an electronic computer, as shown and described.

**DESCRIPTION**

FIG. 1 is a top, front and right side perspective view of an electronic computer showing my new design;

FIG. 2 is a front elevational view thereof;

FIG. 3 is a rear elevational view thereof;

FIG. 4 is a top plan view thereof;

FIG. 5 is a bottom plan view thereof;

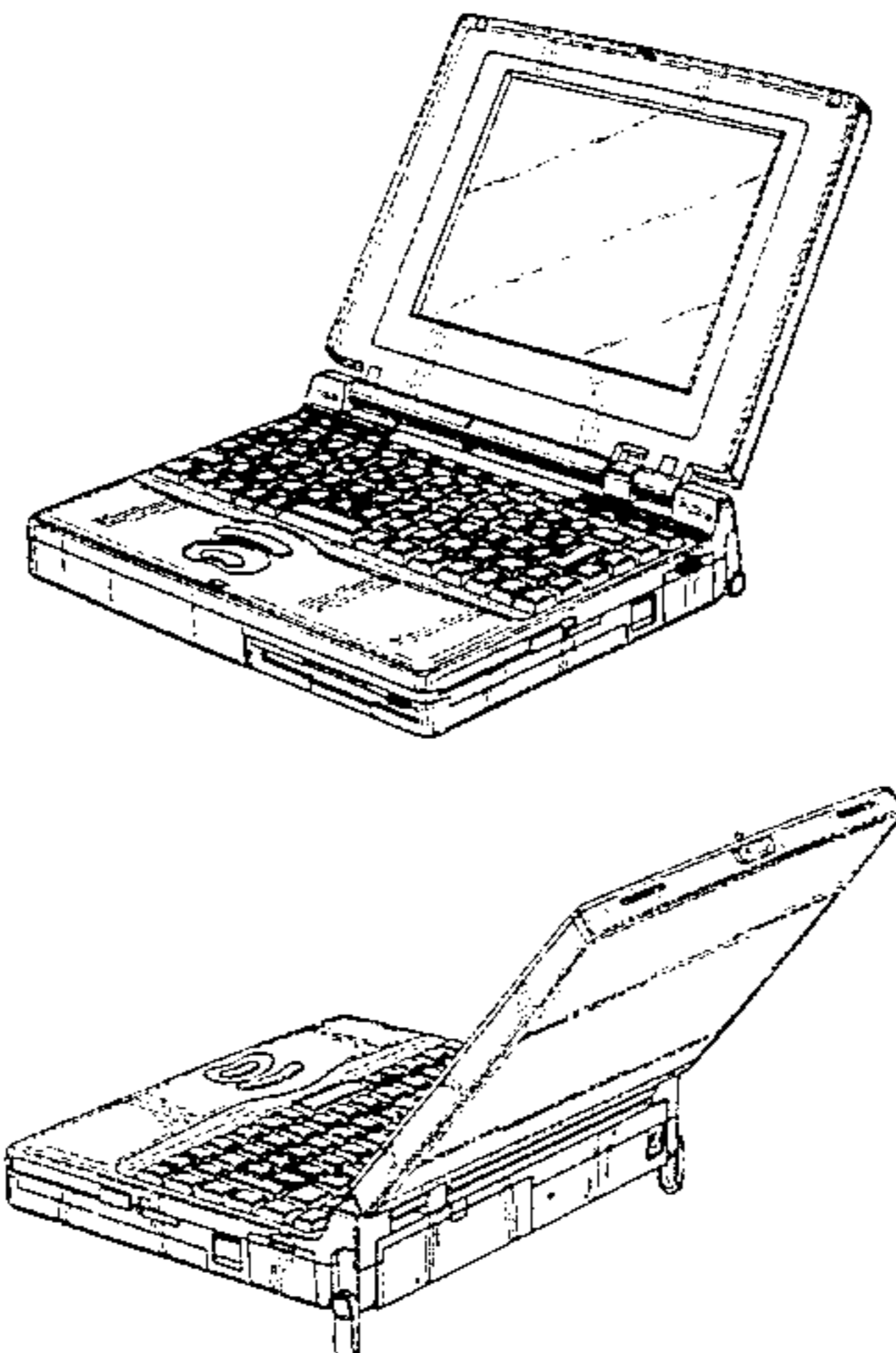
FIG. 6 is a left side elevational view thereof;

FIG. 7 is a right side elevational view thereof;

FIG. 8 is a top, rear and right side perspective view thereof with the legs being pulled out; and,

FIG. 9 is a top, front and right side perspective view thereof in a closed position.

**1 Claim, 5 Drawing Sheets**



## U.S. PATENT DOCUMENTS

D. 332,783	1/1993	Krakower et al. ....	D14/106
D. 334,558	4/1993	Iino .....	D14/106
D. 335,124	4/1993	Mizusugi et al. ....	D14/106
D. 336,286	6/1993	Iino .....	D14/106
D. 337,096	7/1993	Iino .....	D14/106
D. 338,456	8/1993	Brunner et al. ....	D14/106
D. 338,660	8/1993	Youens et al. ....	D14/106
D. 340,920	11/1993	Okuda et al. ....	D14/106
D. 345,550	3/1994	Iino .....	D14/106
D. 346,369	4/1994	Iino .....	D14/106
D. 349,105	7/1994	Okada et al. ....	D14/106
D. 349,106	7/1994	Iino et al. ....	D14/106
D. 349,278	8/1994	Israel Wetrin .....	D14/106
D. 350,121	8/1994	Kaneko .....	D14/106
D. 351,377	10/1994	Yu .....	D14/106

## FOREIGN PATENT DOCUMENTS

M9200936	8/1992	Germany .
----------	--------	-----------

M9309976	7/1994	Germany .
499866	4/1979	Japan .
639216	11/1984	Japan .
686658	9/1986	Japan .
746985(2)	4/1989	Japan .
746985(1)	4/1989	Japan .
763855	6/1989	Japan .
763840	6/1989	Japan .
763838	6/1989	Japan .
85-15988	2/1987	Rep. of Korea .
90-10182	4/1991	Rep. of Korea .
90-9679	5/1991	Rep. of Korea .
90-10726	6/1991	Rep. of Korea .
90-7771	7/1991	Rep. of Korea .
90-17971	8/1991	Rep. of Korea .
90-17967	8/1991	Rep. of Korea .
90-18478	12/1991	Rep. of Korea .
M9103652	2/1992	Rep. of Korea .
91-5227	4/1992	Rep. of Korea .
149344	1/1991	Taiwan .



FIG. 1

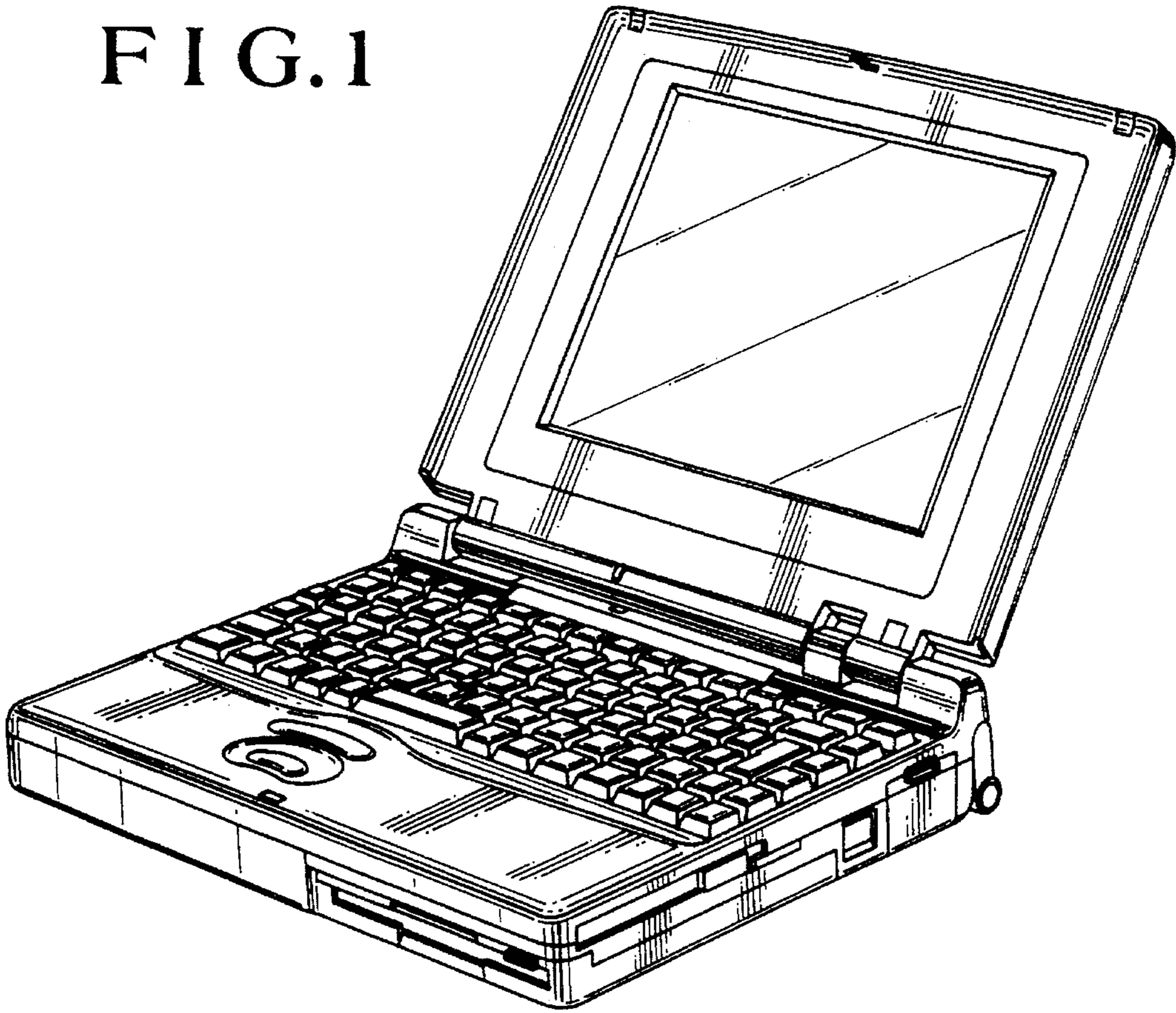


FIG. 2

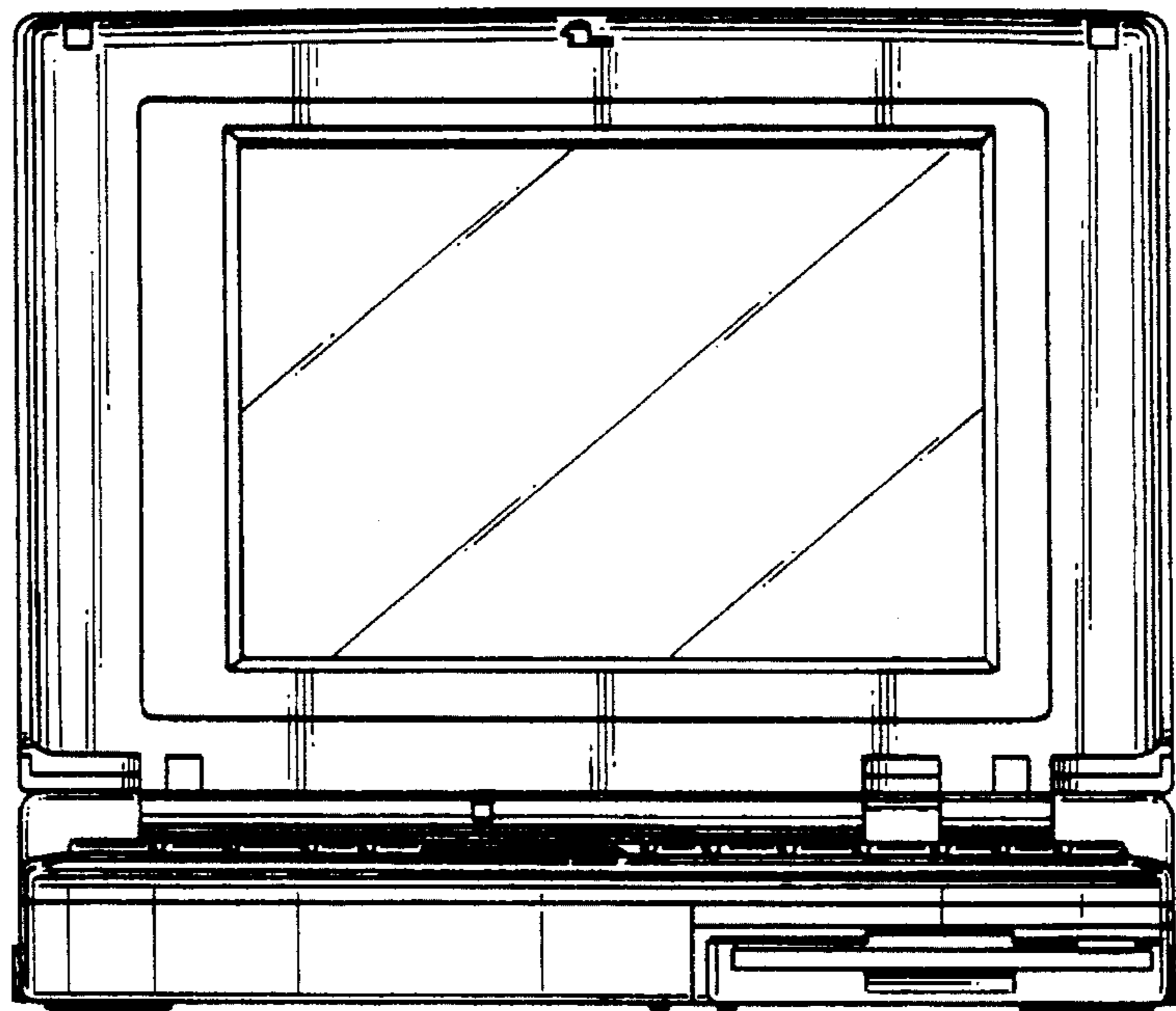


FIG.3

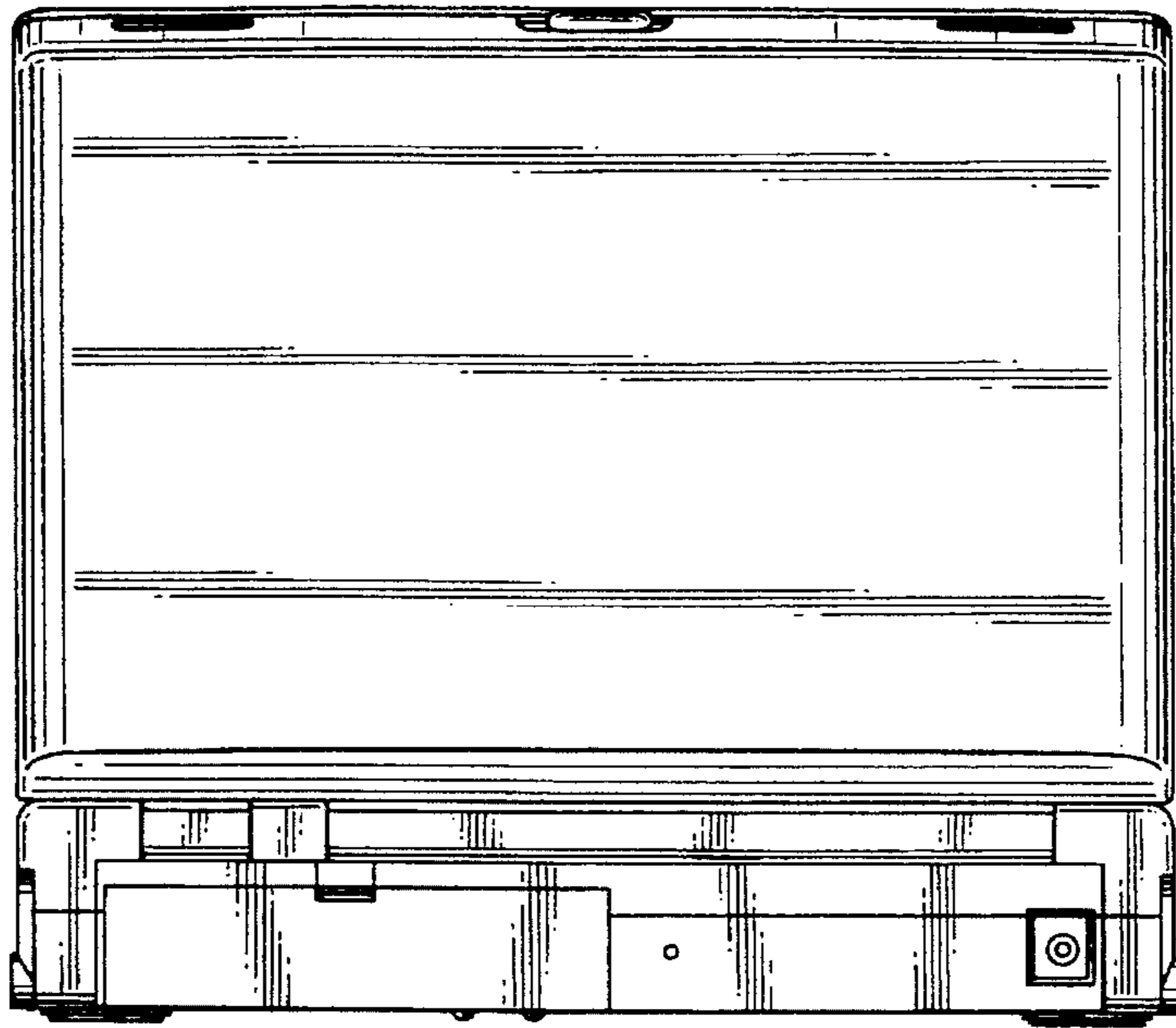


FIG.4

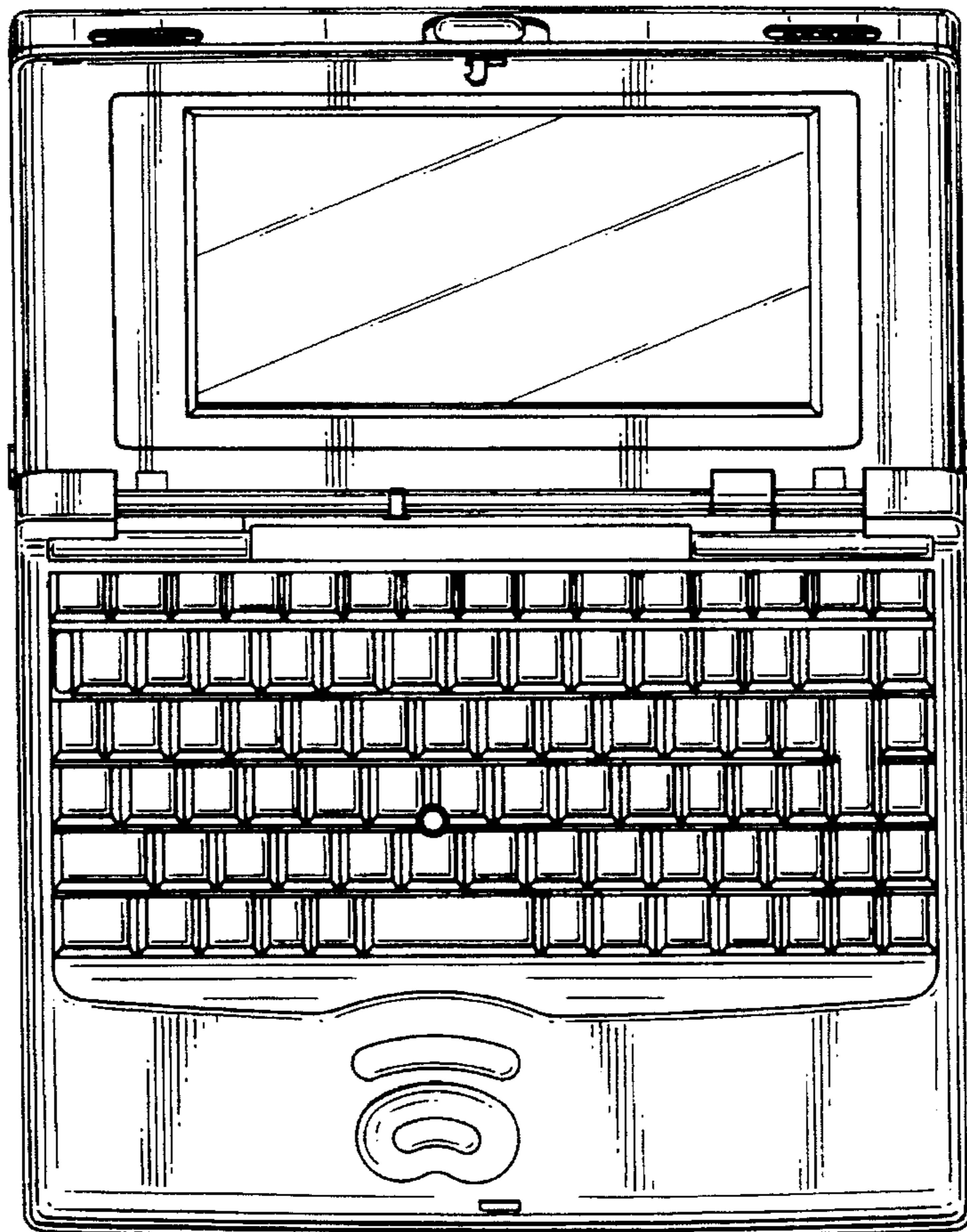


FIG. 5

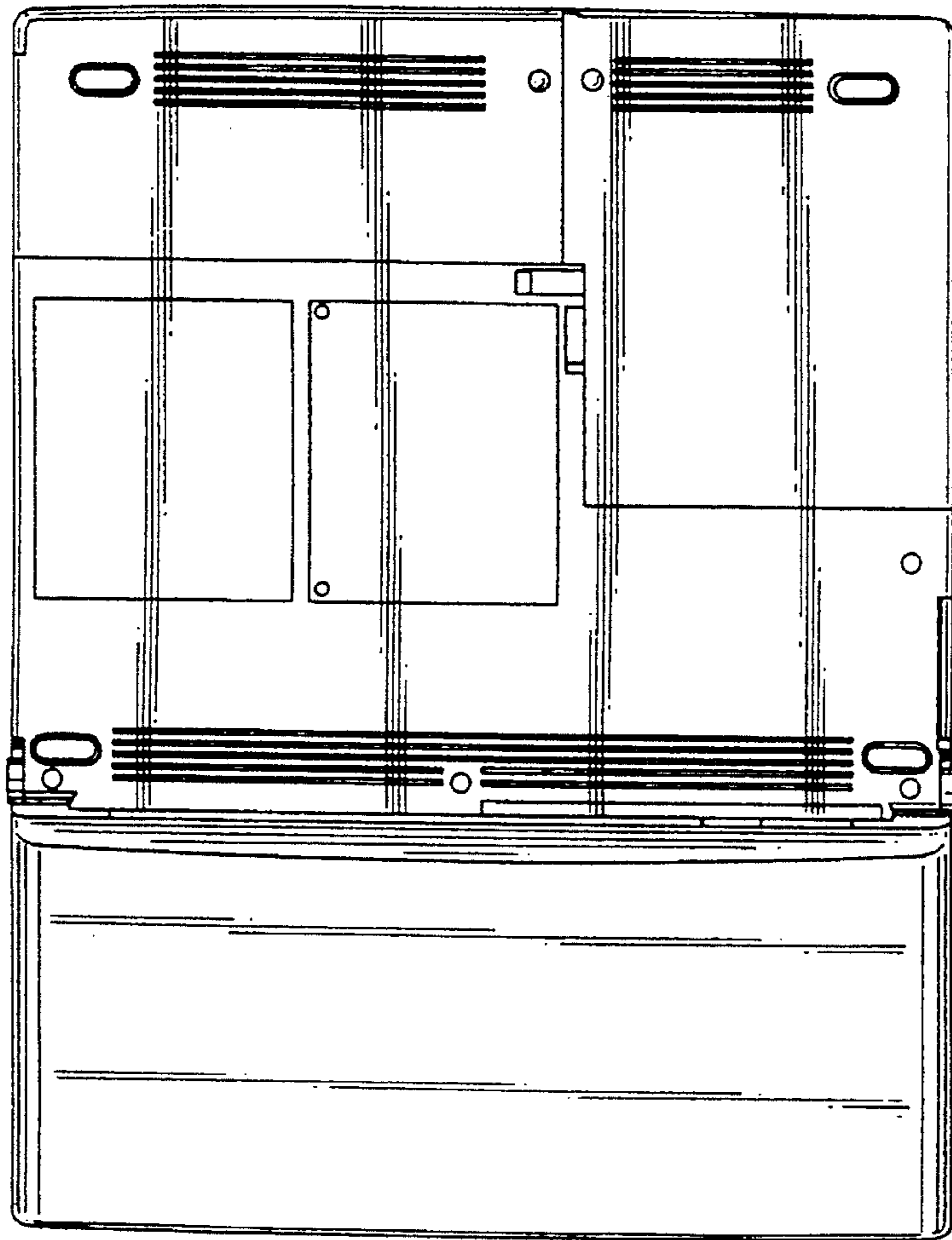


FIG. 6

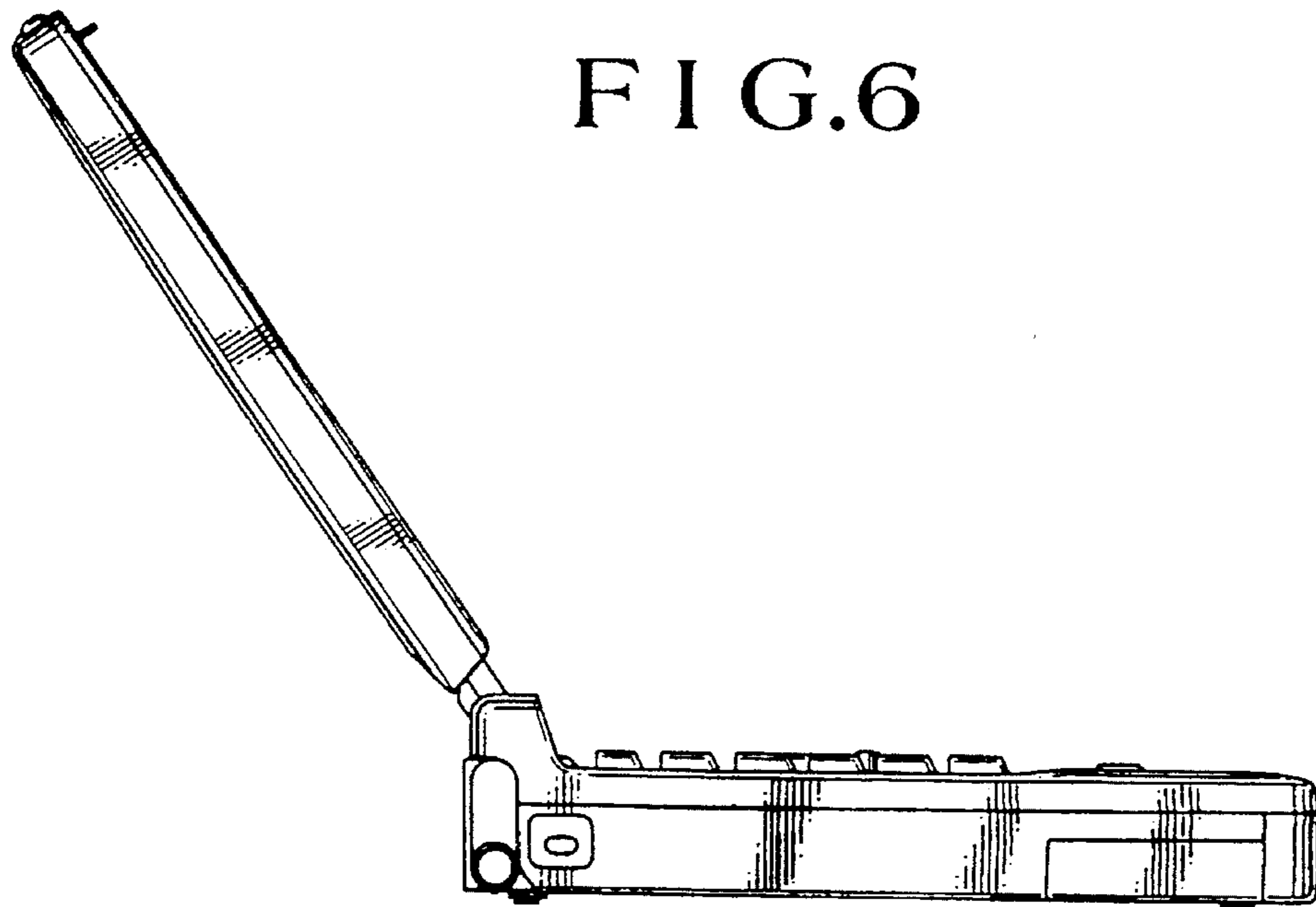




FIG. 7

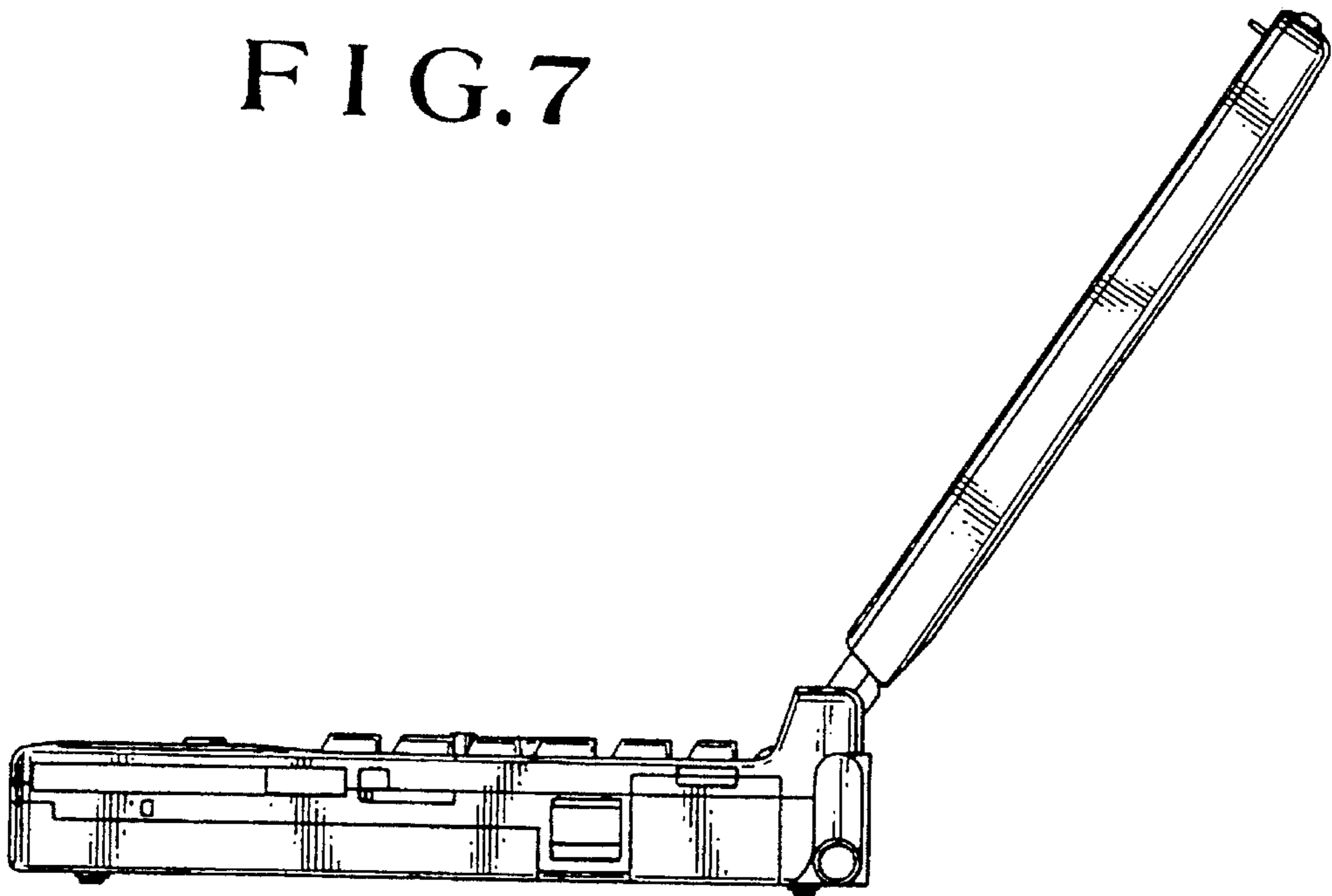


FIG. 8

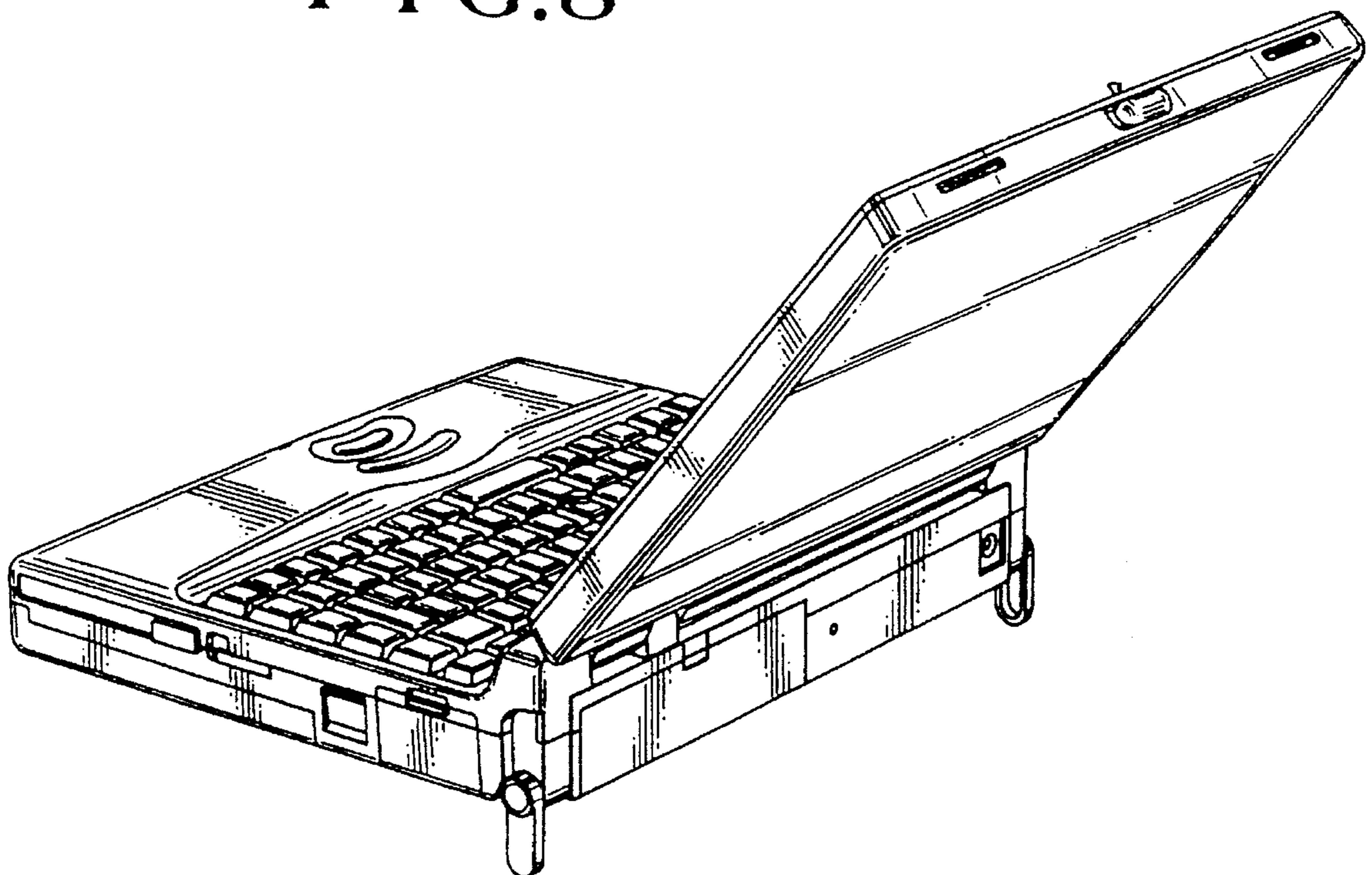


FIG. 9

