



US00D370465S

# United States Patent [19]

Yee et al.

[11] Patent Number: **Des. 370,465**

[45] Date of Patent: **\*\*Jun. 4, 1996**

## [54] SOLID STATE OVERLOAD RELAY

[75] Inventors: **Edgar Yee**, Chapel Hill, N.C.; **Scott N. Dorny**, Barcelona, Spain; **Randall L. Greenberg**, Granby, Conn.; **Sandra Peterson**, Bloomington, Ill.; **Miguel O. Gimenez**; **Pere P. Comerma**, both of Teresa, Spain

[73] Assignee: **General Electric Company**, New York, N.Y.

[\*\*] Term: **14 Years**

[21] Appl. No.: **34,079**

[22] Filed: **Jan. 26, 1995**

[52] U.S. Cl. .... **D13/159**

[58] Field of Search ..... D13/159; 361/31, 361/94; 335/132, 202

## [56] References Cited

### U.S. PATENT DOCUMENTS

D. 323,815 2/1992 Bouteiller ..... D13/159

## OTHER PUBLICATIONS

Lavato relay, RF25 on p. 9 of *Elettrotecnica*, Dec. 1992.  
Westinghouse relay on p. 761 of *ETZ (Elektrotechnische Zeitschrift)*.

*Primary Examiner*—Joel Sincavage  
*Attorney, Agent, or Firm*—Richard A. Menelly

## [57] CLAIM

The ornamental design for a solid state overload relay, as shown and described.

## DESCRIPTION

FIG. 1 is a top perspective view of the ornamental solid state overload relay according to the invention;  
FIG. 2 is a left side view of the relay of FIG. 1;  
FIG. 3 is a right side view of the relay of FIG. 1;  
FIG. 4 is a top plan view of the relay of FIG. 1;  
FIG. 5 is an end view of the relay of FIG. 1; and,  
FIG. 6 is a bottom plan view of the relay of FIG. 1.

1 Claim, 2 Drawing Sheets

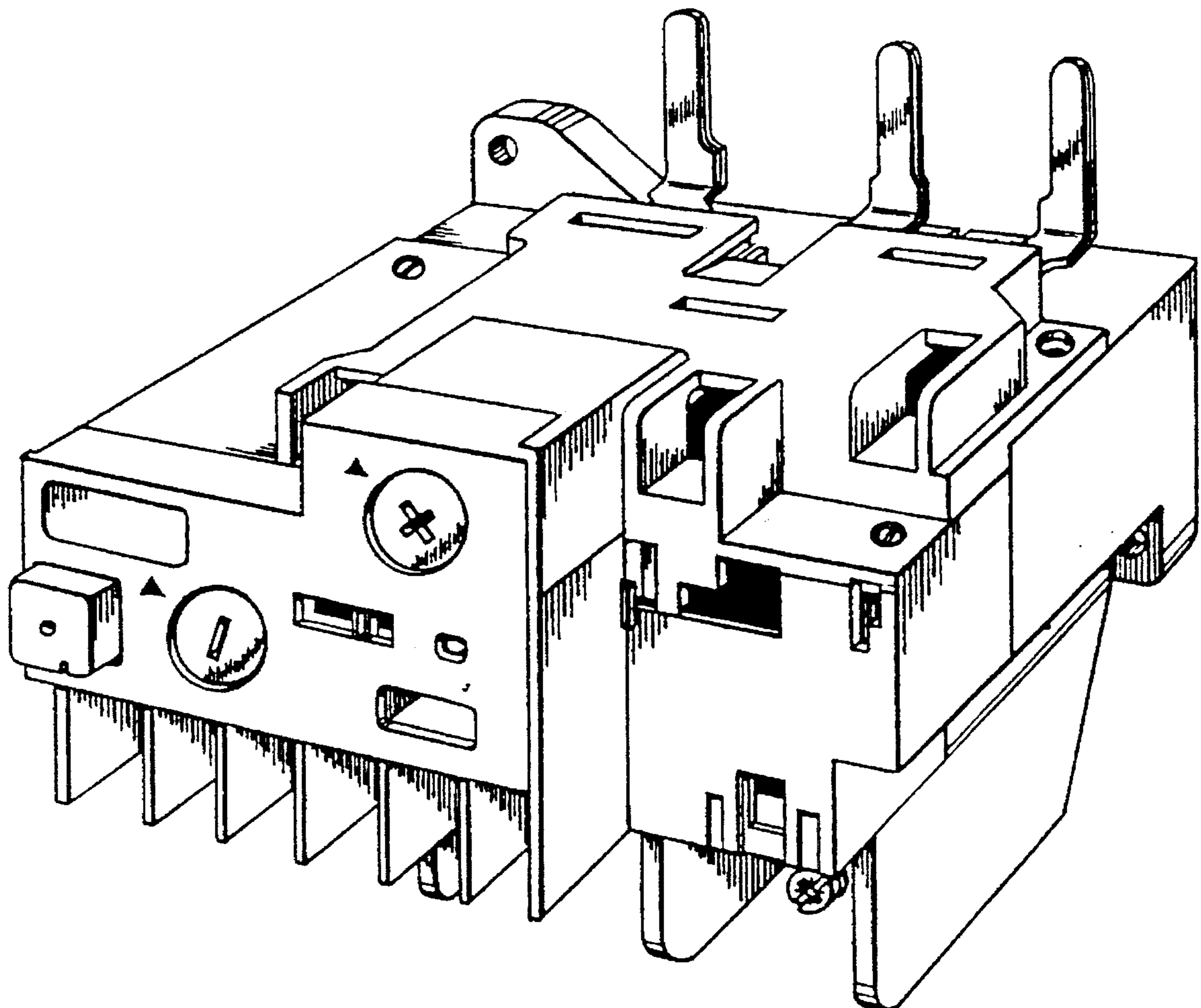


FIG. 1

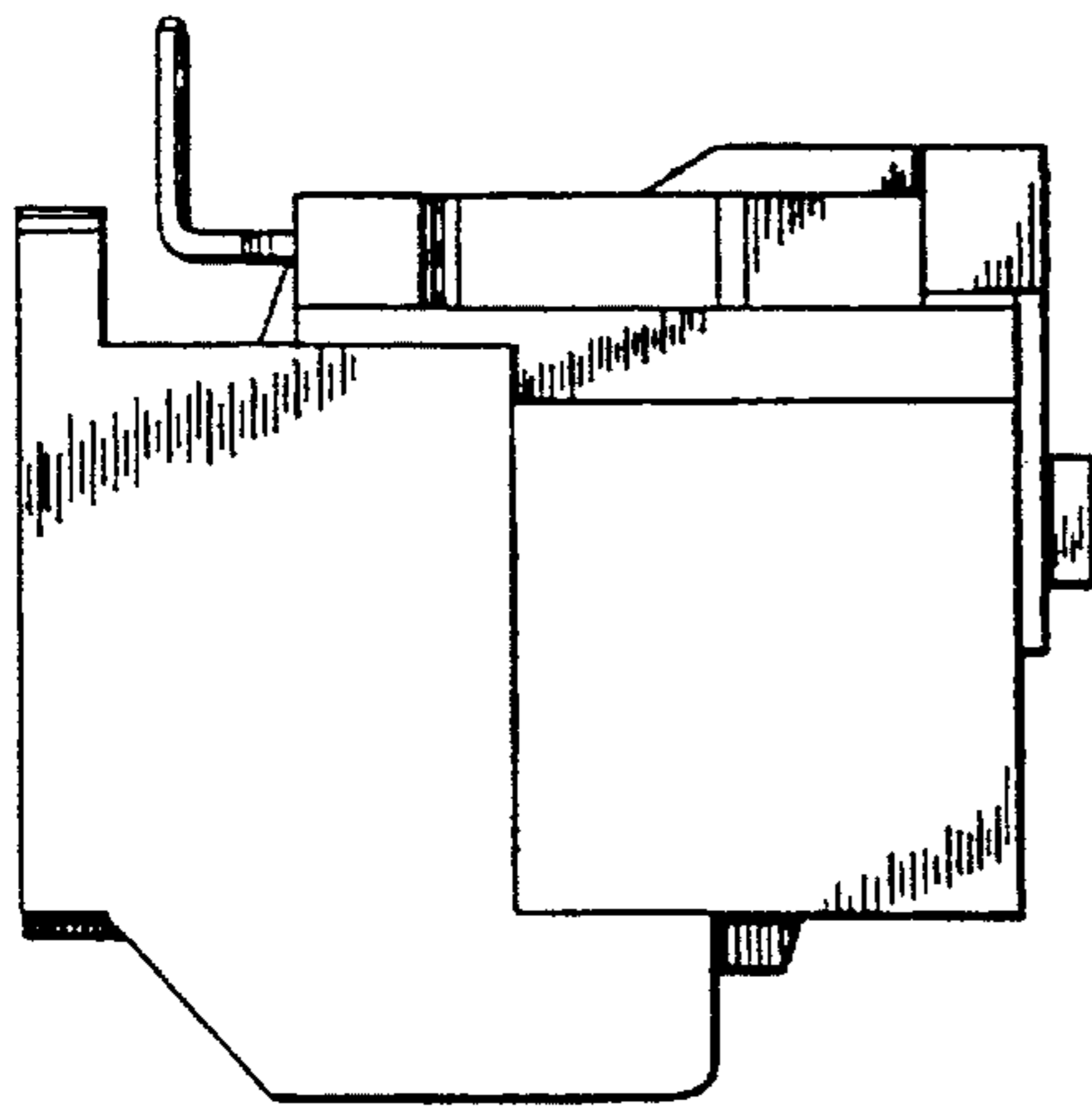
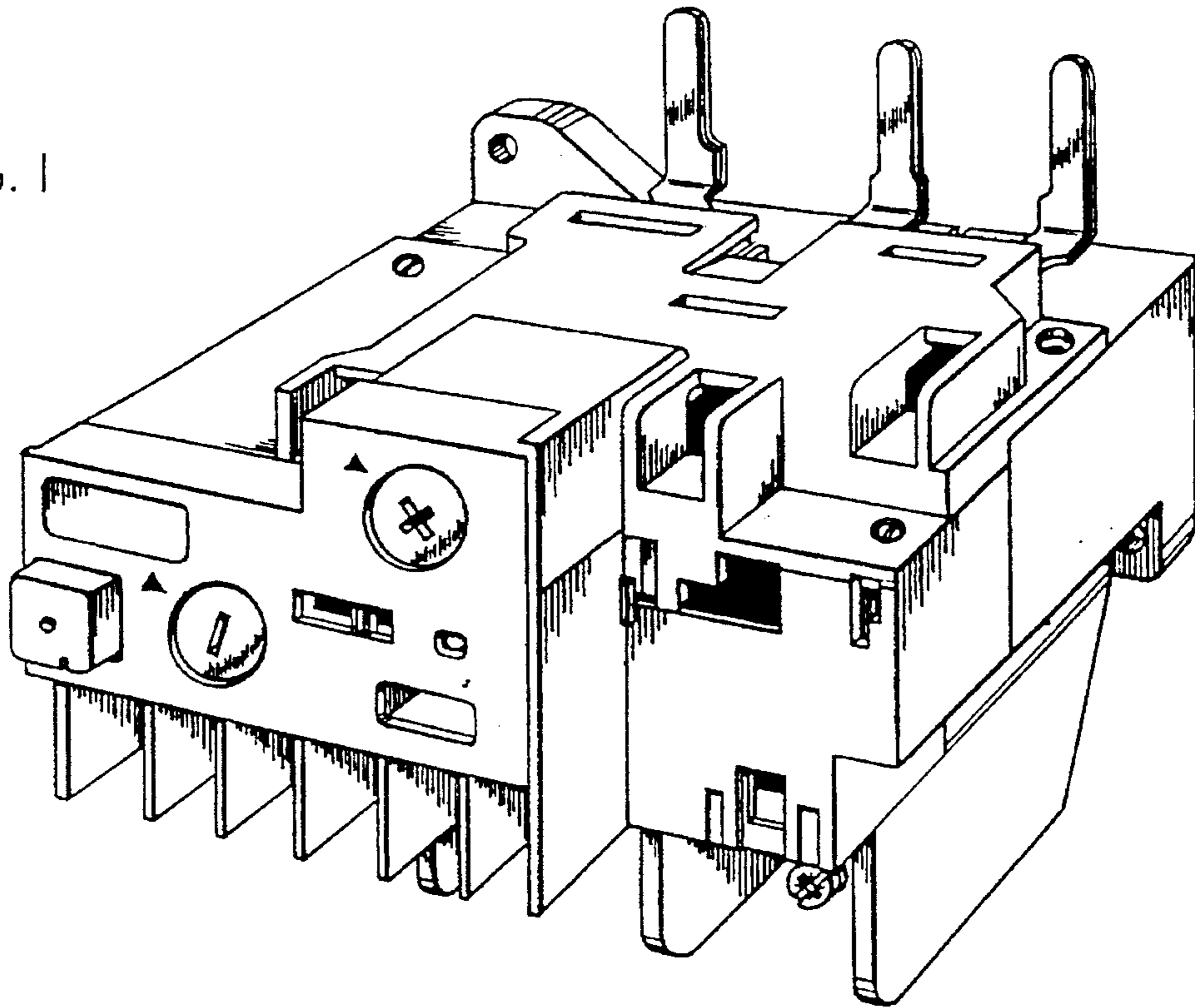


FIG. 2

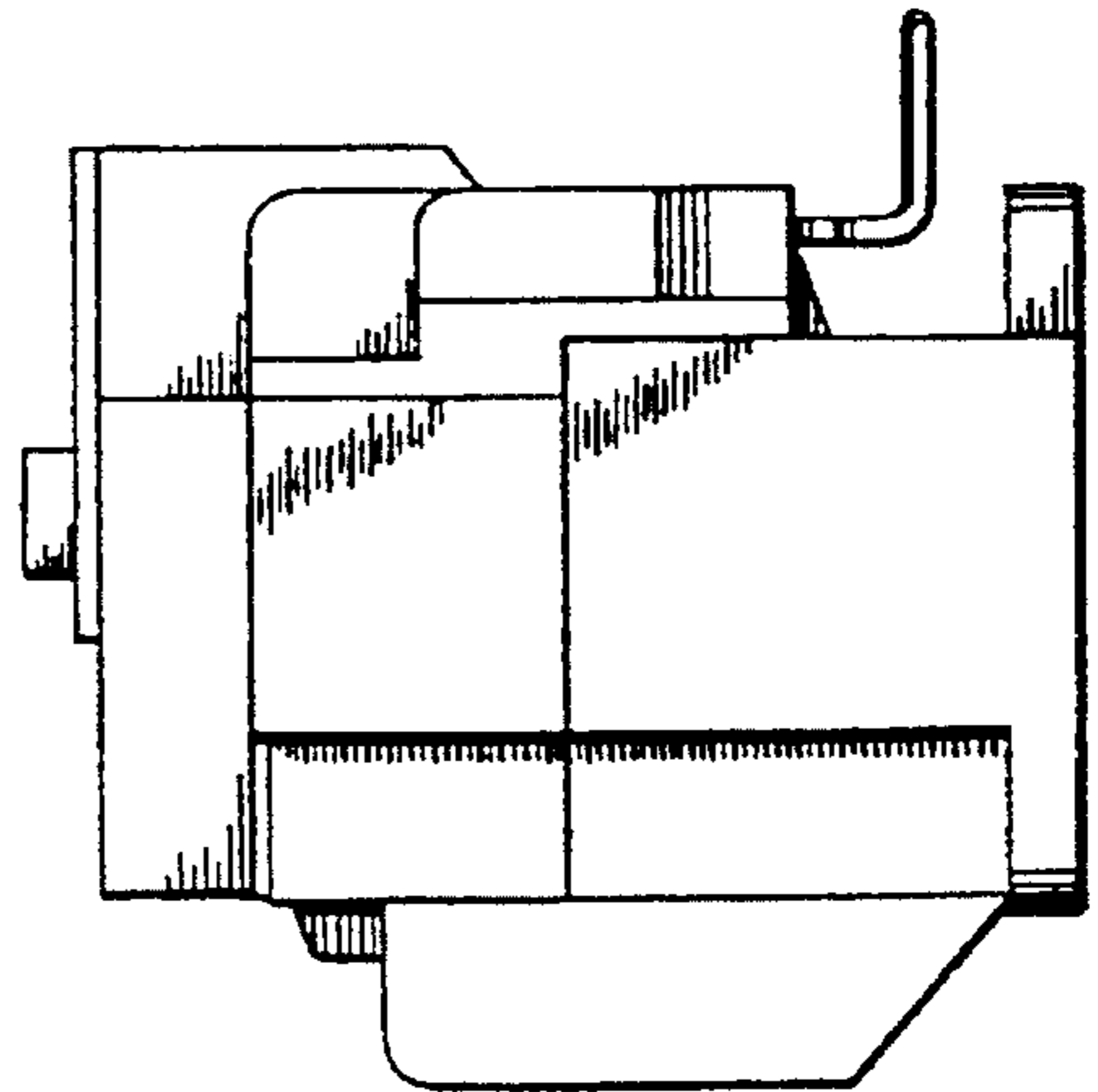


FIG. 3

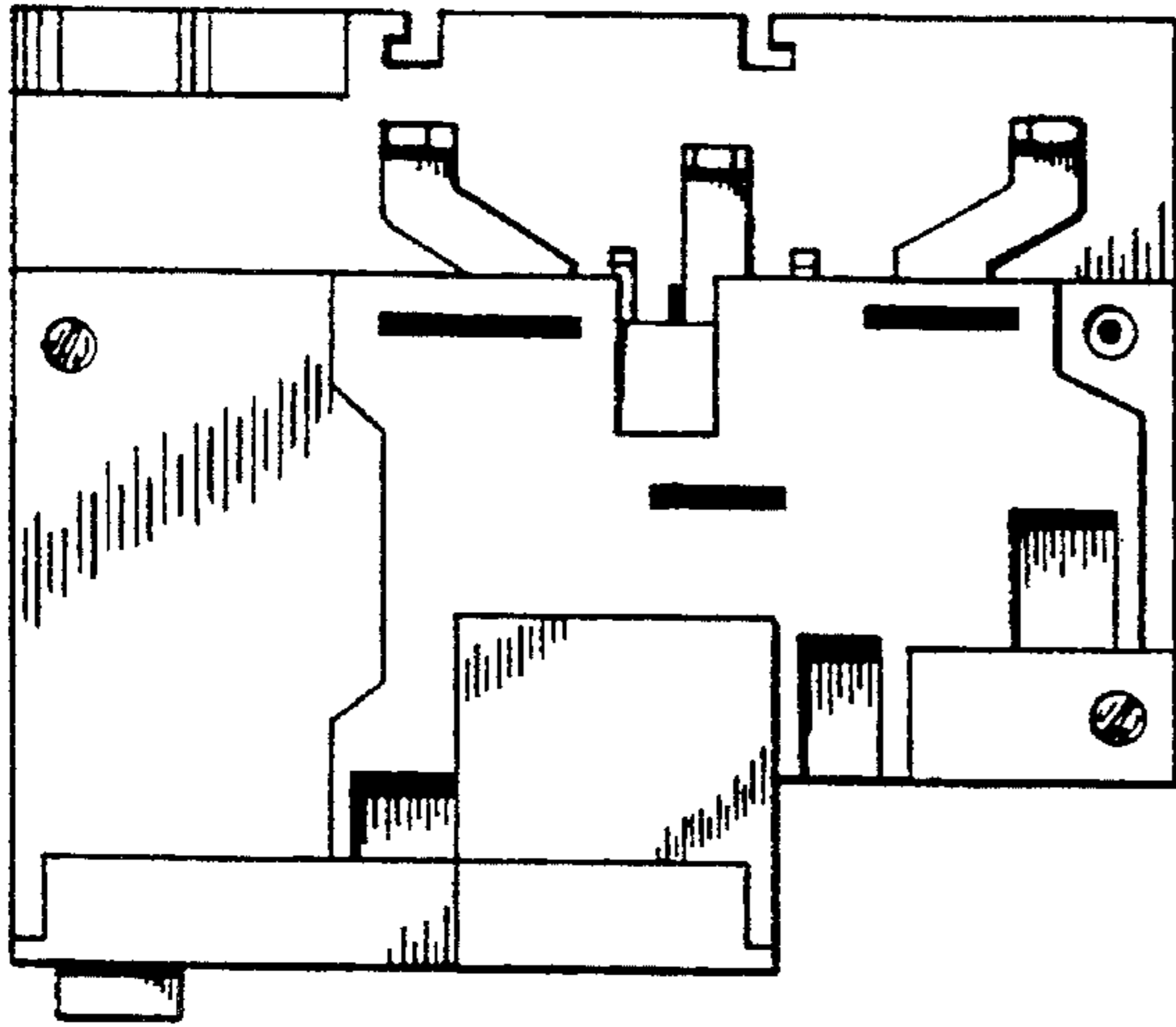


FIG. 4

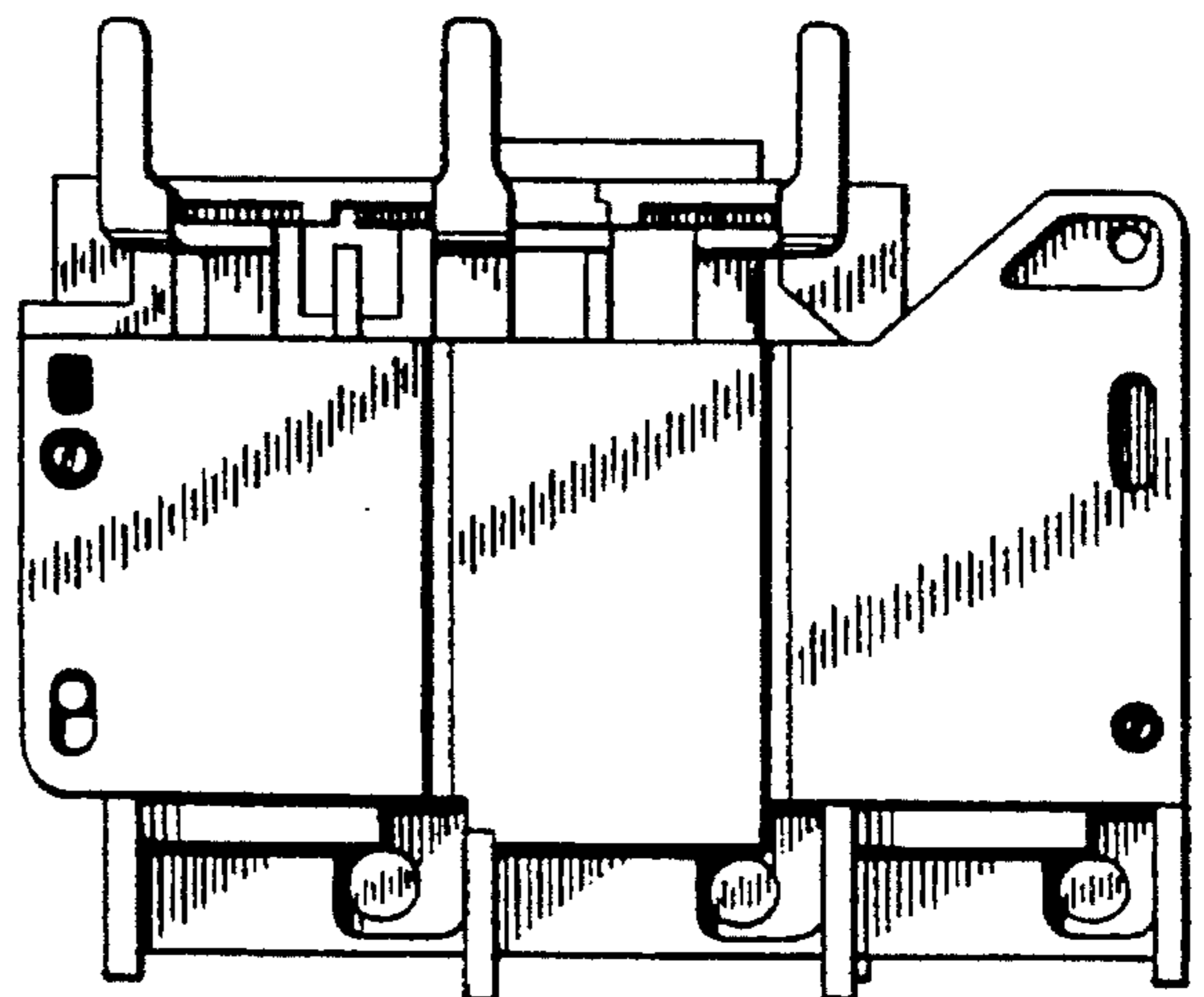


FIG. 5

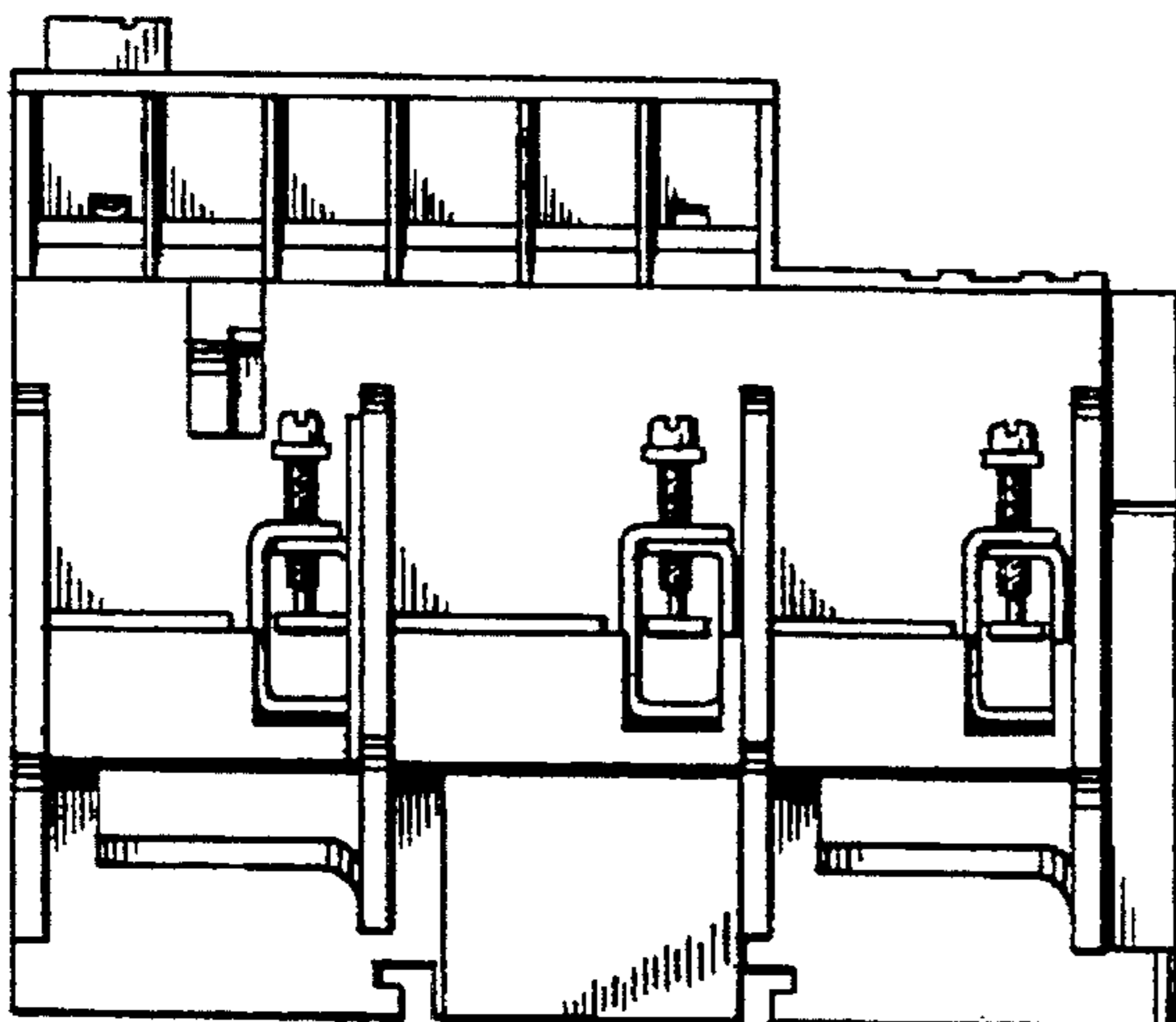


FIG. 6