



US00D370463S

United States Patent [19]

Nagele et al.

[11] Patent Number: **Des. 370,463**

[45] Date of Patent: ****Jun. 4, 1996**

[54] **EXTERNAL CONNECTOR PLUG**
[75] Inventors: **Albert L. Nagele**, Wilmette; **Mike M. Albert**, Lincolnshire; **Brian E. Dawson**, Huntley, all of Ill.

[73] Assignee: **Motorola, Inc.**, Schaumburg, Ill.

[**] Term: **14 Years**

[21] Appl. No.: **31,071**

[22] Filed: **Nov. 17, 1994**

Related U.S. Application Data

[63] Continuation-in-part of Ser. No. 21,632, Apr. 20, 1994.
[52] U.S. Cl. **D13/147**
[58] Field of Search D13/146, 147;
439/76.1, 350, 352, 353, 357, 358, 604,
606, 660

[56] References Cited

U.S. PATENT DOCUMENTS

4,936,793 6/1990 Uchida 439/350 X

5,158,473 10/1992 Takahashi et al. 439/353
5,197,901 3/1993 Hashiguchi 439/352
5,207,586 5/1993 MacGregor et al. 439/76.1
5,330,360 7/1994 Marsh et al. 439/76.1

Primary Examiner—Joel Sincavage
Attorney, Agent, or Firm—Randall S. Vaas

[57] CLAIM

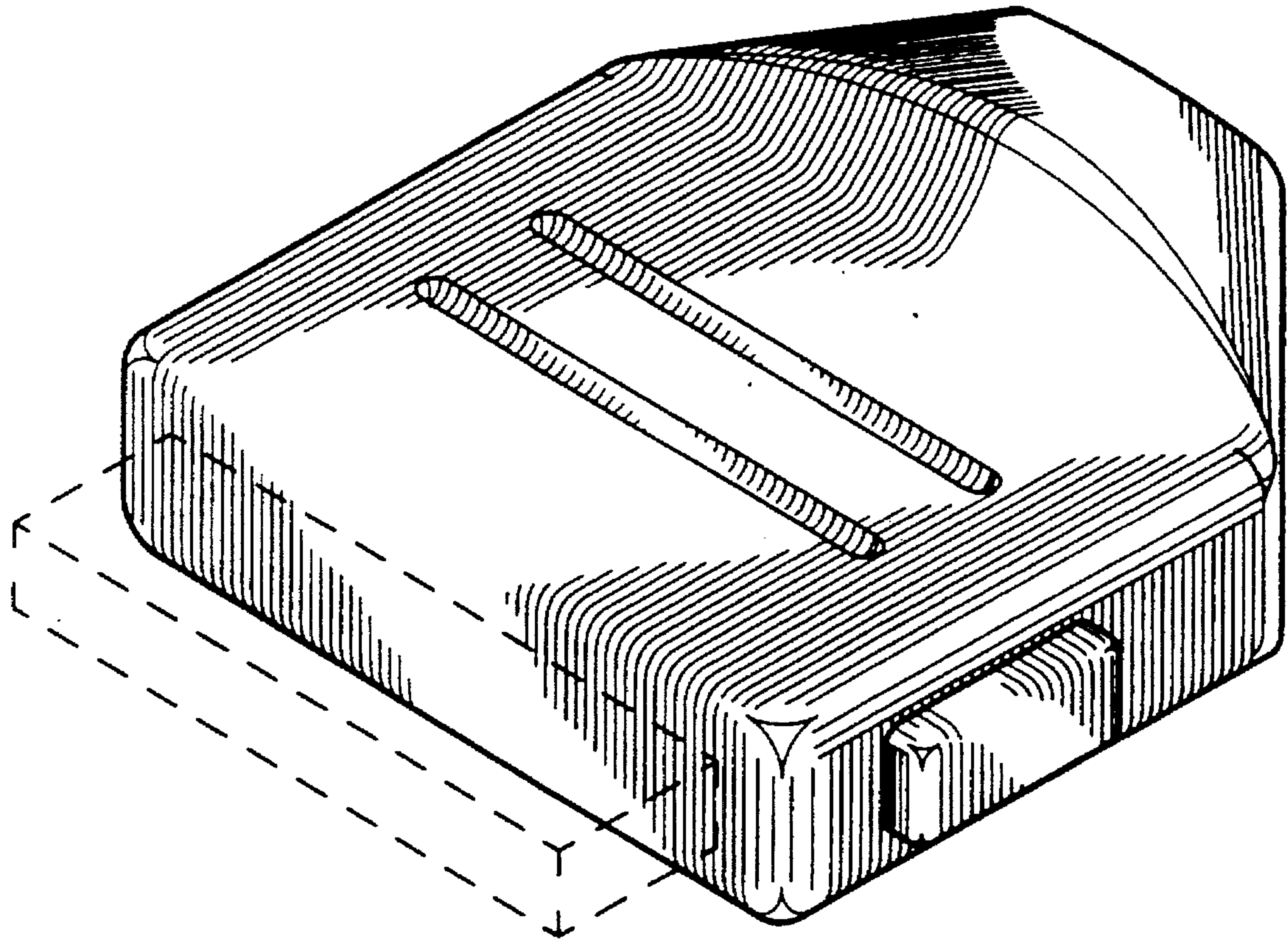
The ornamental design for a external connector plug, as shown and described.

DESCRIPTION

FIG. 1 is a front, left, and bottom side perspective view showing our new design for a external connector plug; FIG. 2 is a rear elevation view thereof; FIG. 3 is a right side elevation view thereof; and, FIG. 4 is a top plan view thereof.

The broken lines showing throughout the drawings are included for the purpose of illustrating environment structure only and forms no part of the claimed design.

1 Claim, 1 Drawing Sheet



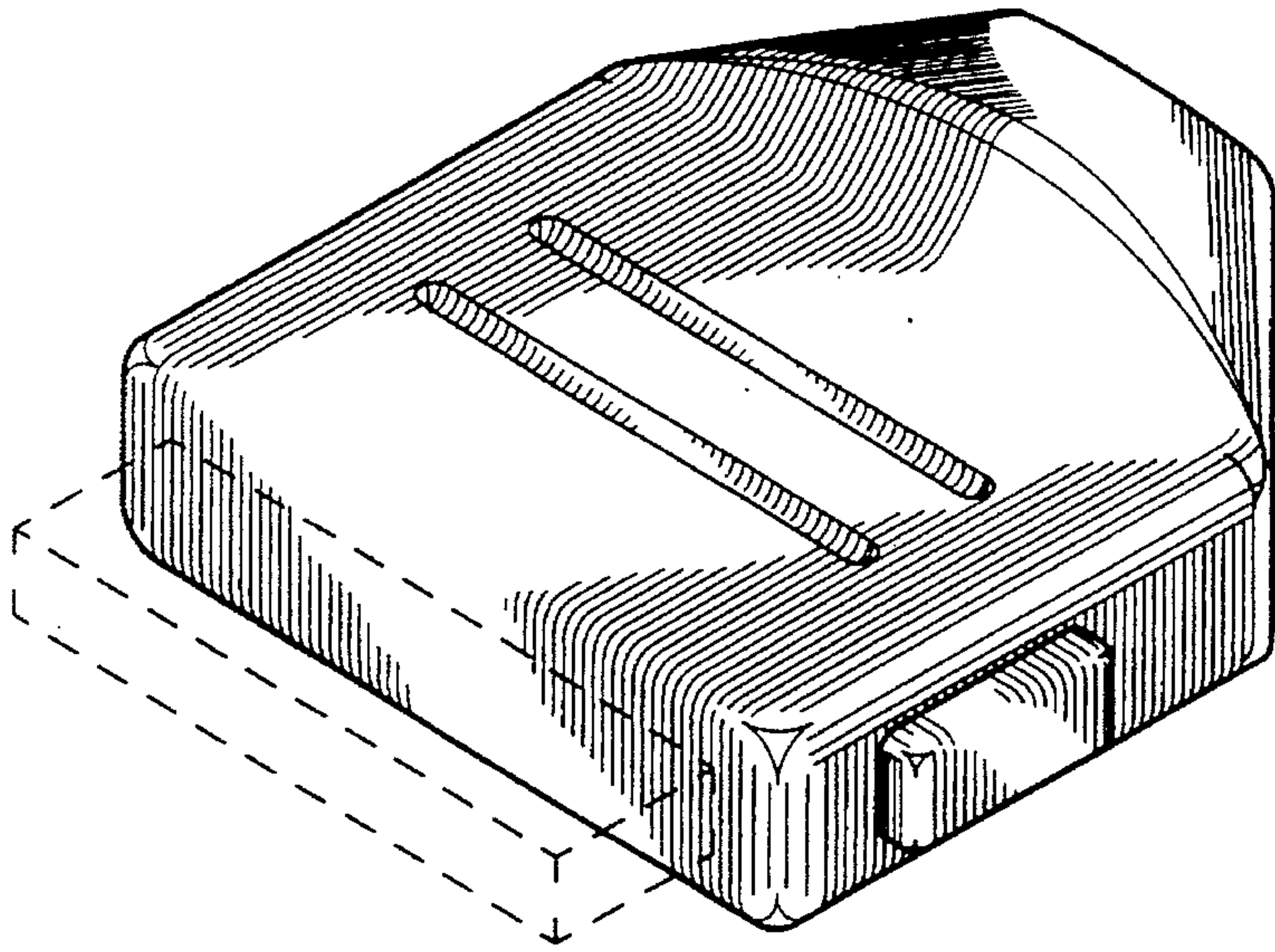


FIG. 1

FIG. 2

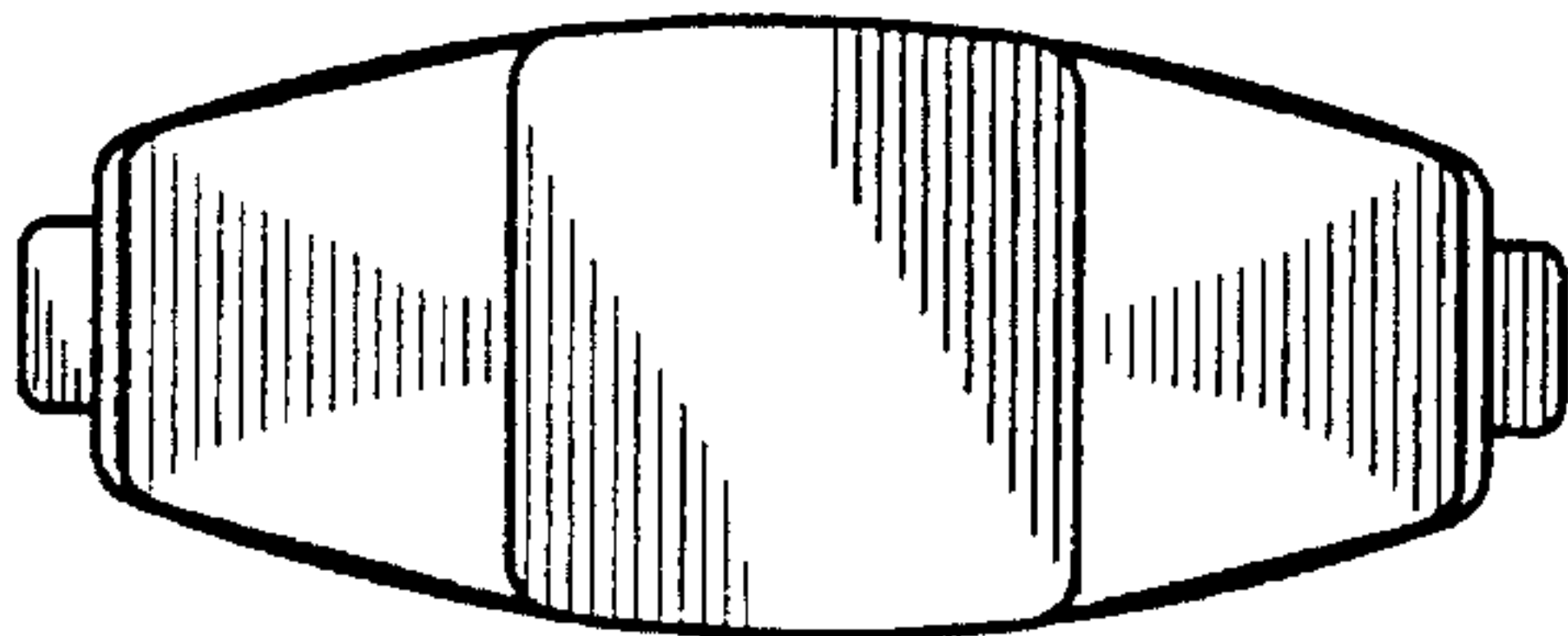


FIG. 3

FIG. 4

