



US00D370461S

United States Patent [19]

Yoshioka et al.

[11] Patent Number: **Des. 370,461**

[45] Date of Patent: ****Jun. 4, 1996**

[54] **CONNECTOR FOR ELECTRIC SUPPLIER FOR ELECTRIC CAR**

[75] Inventors: **Nobuaki Yoshioka; Hirotaka Fukushima**, both of Shizuoka, Japan

[73] Assignee: **Yazaki Corporation**, Japan

[**] Term: **14 Years**

[21] Appl. No.: **30,229**

[22] Filed: **Oct. 24, 1994**

[52] U.S. Cl. **D13/146**

[58] Field of Search D13/120, 133, D13/146; 320/2; 439/34, 266, 310, 352, 372

[56] **References Cited**

U.S. PATENT DOCUMENTS

D. 206,800	1/1967	Goldbaum et al.	D13/146
D. 312,812	12/1990	Campbell	D13/120
5,350,312	9/1994	Kuno et al.	439/352 X
5,385,480	1/1995	Hoffman	439/310

Primary Examiner—Joel Sincavage

Attorney, Agent, or Firm—Saidman DesignLaw Group

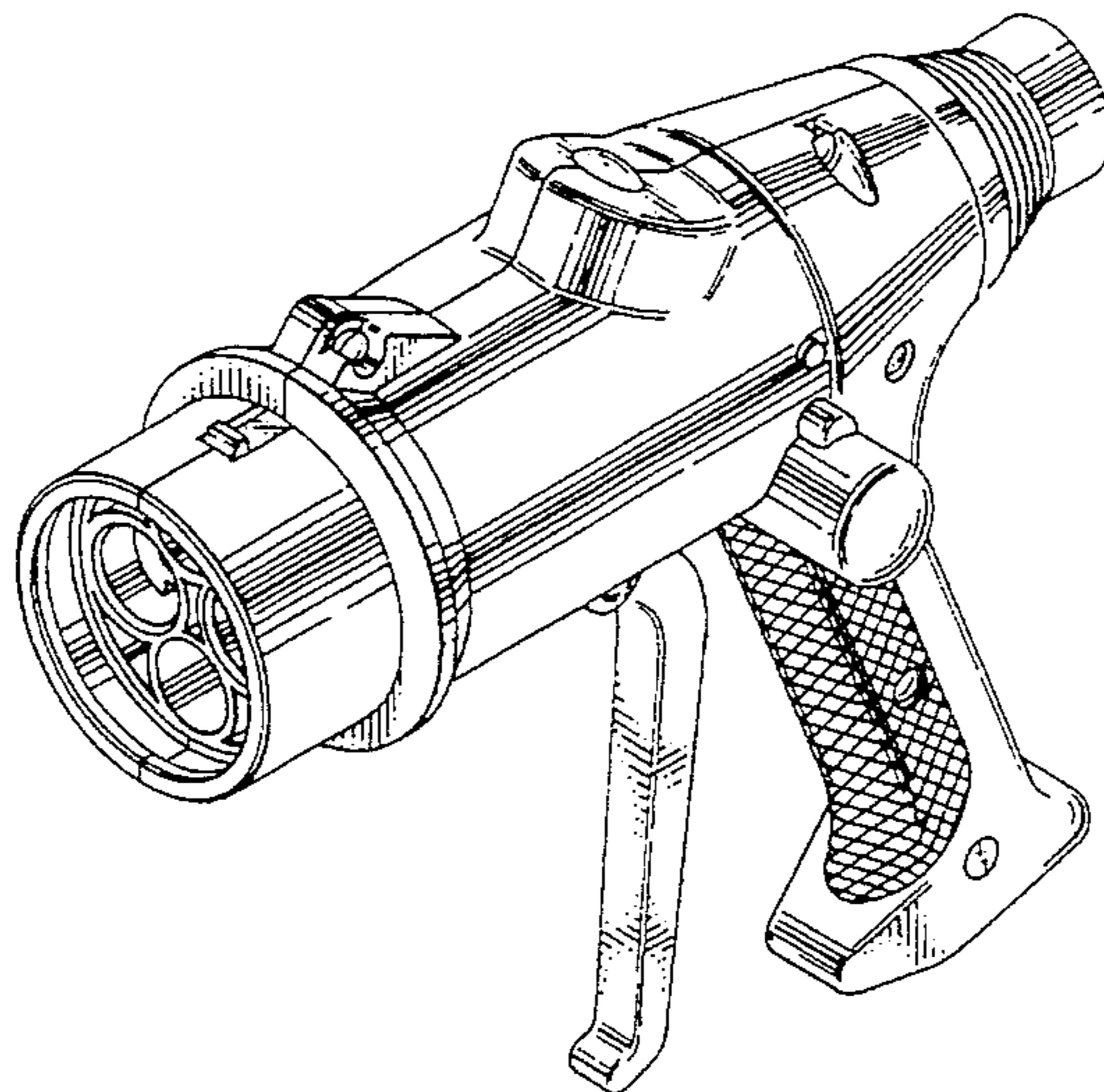
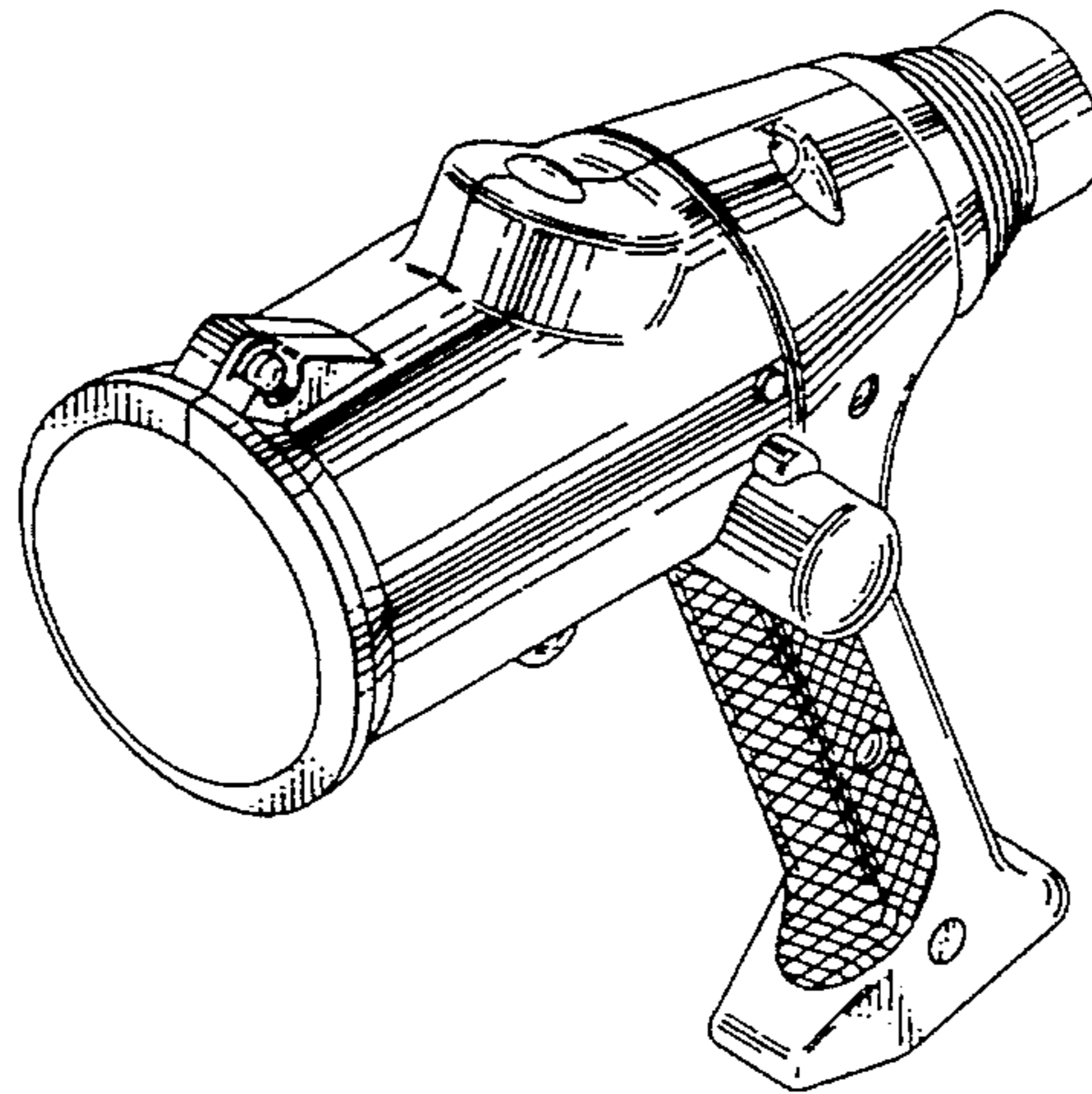
[57] **CLAIM**

The ornamental design for a connector for electric supplier for electric car, as shown and described.

DESCRIPTION

FIG. 1 is a perspective view of a connector for electric supplier for electric car showing our new design;
 FIG. 2 is a front elevational view thereof;
 FIG. 3 is a rear elevational view thereof;
 FIG. 4 is a top view thereof;
 FIG. 5 is a bottom view thereof;
 FIG. 6 is a left side view thereof;
 FIG. 7 is a right side view thereof;
 FIG. 8 is a perspective view of a second embodiment showing our new design;
 FIG. 9 is a front elevational view thereof;
 FIG. 10 is a rear elevational view thereof;
 FIG. 11 is a top view thereof;
 FIG. 12 is a bottom view thereof;
 FIG. 13 is a left side view thereof; and,
 FIG. 14 is a right side view thereof.

1 Claim, 6 Drawing Sheets



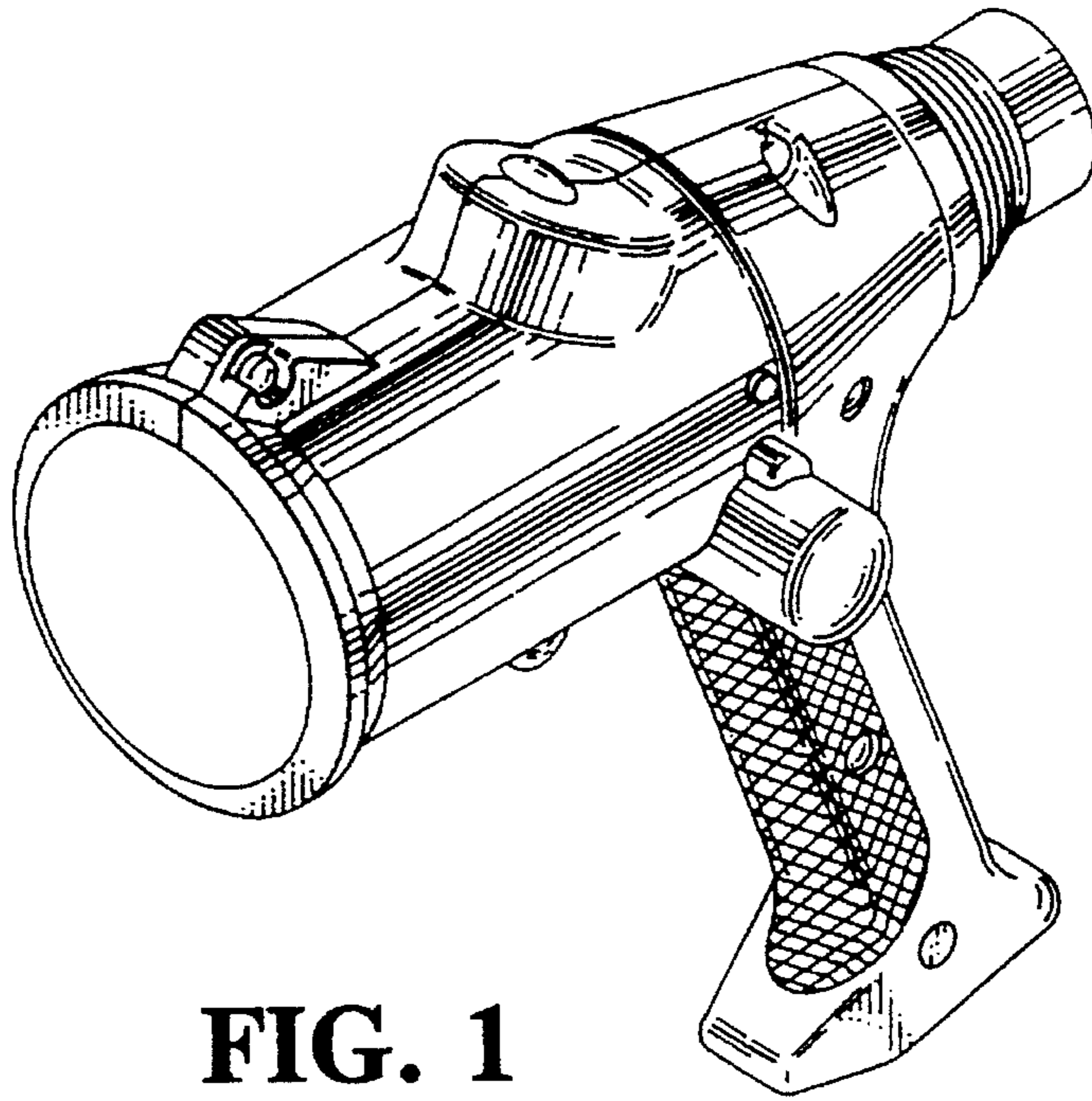


FIG. 1

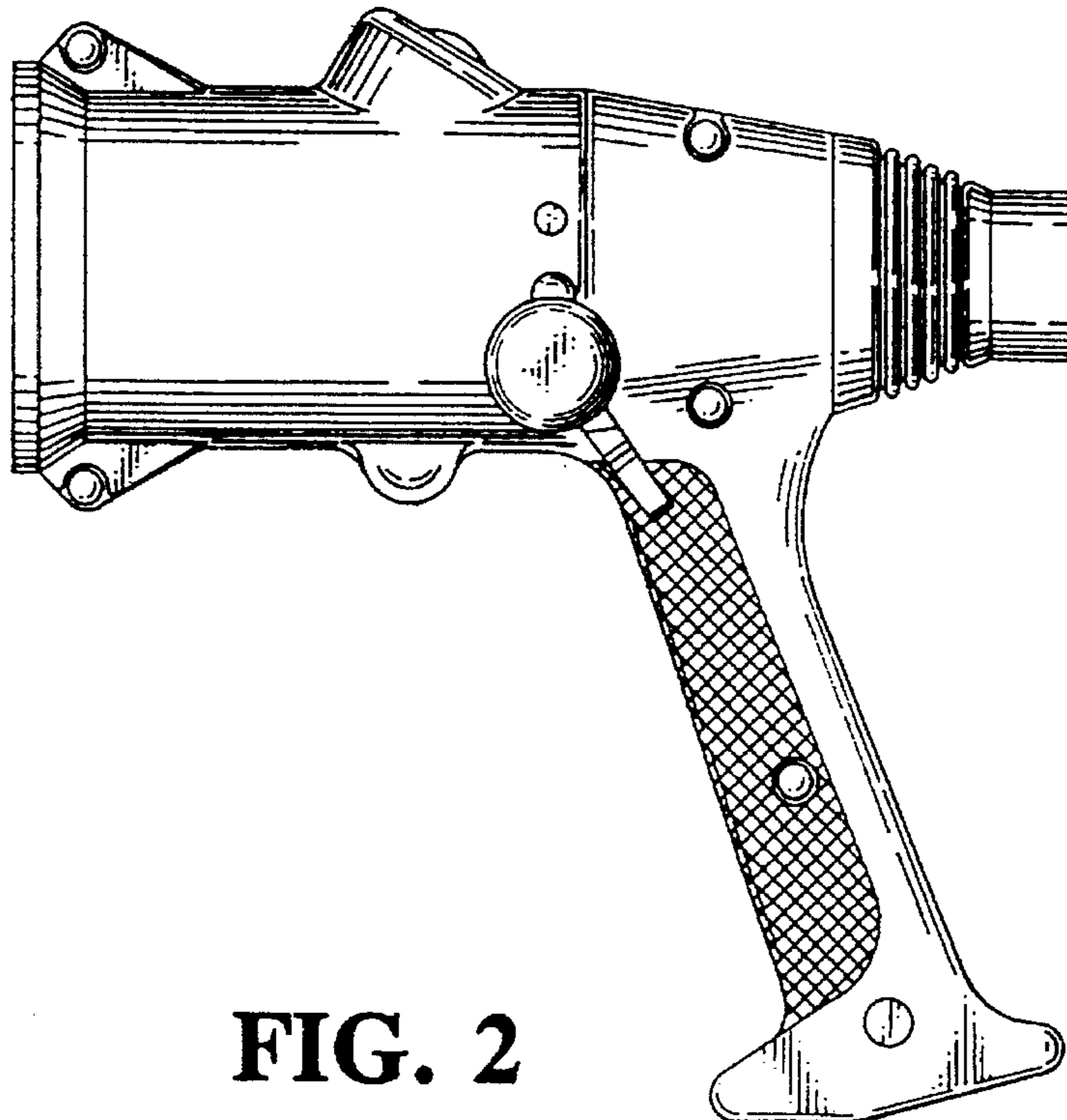


FIG. 2

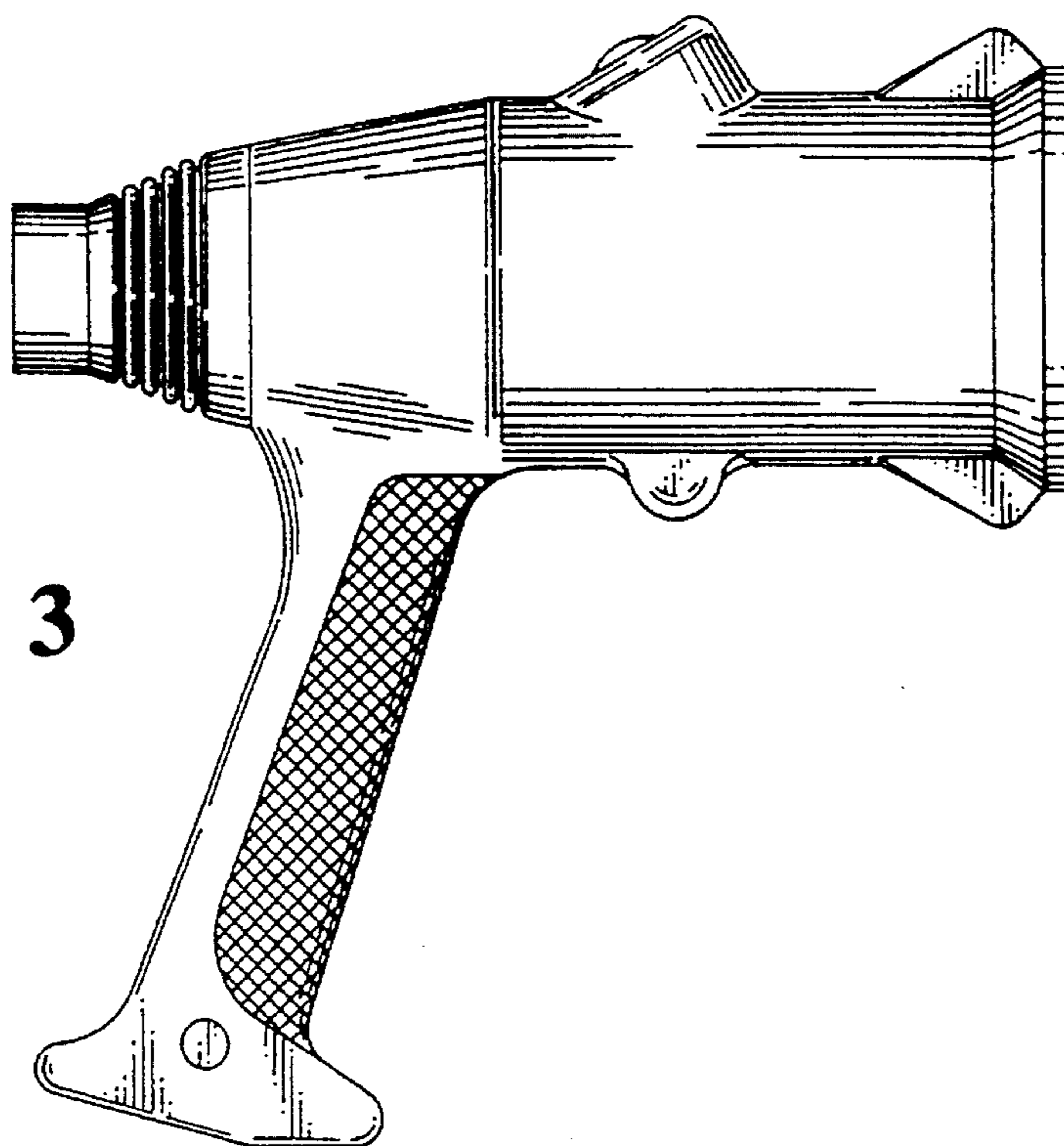


FIG. 3

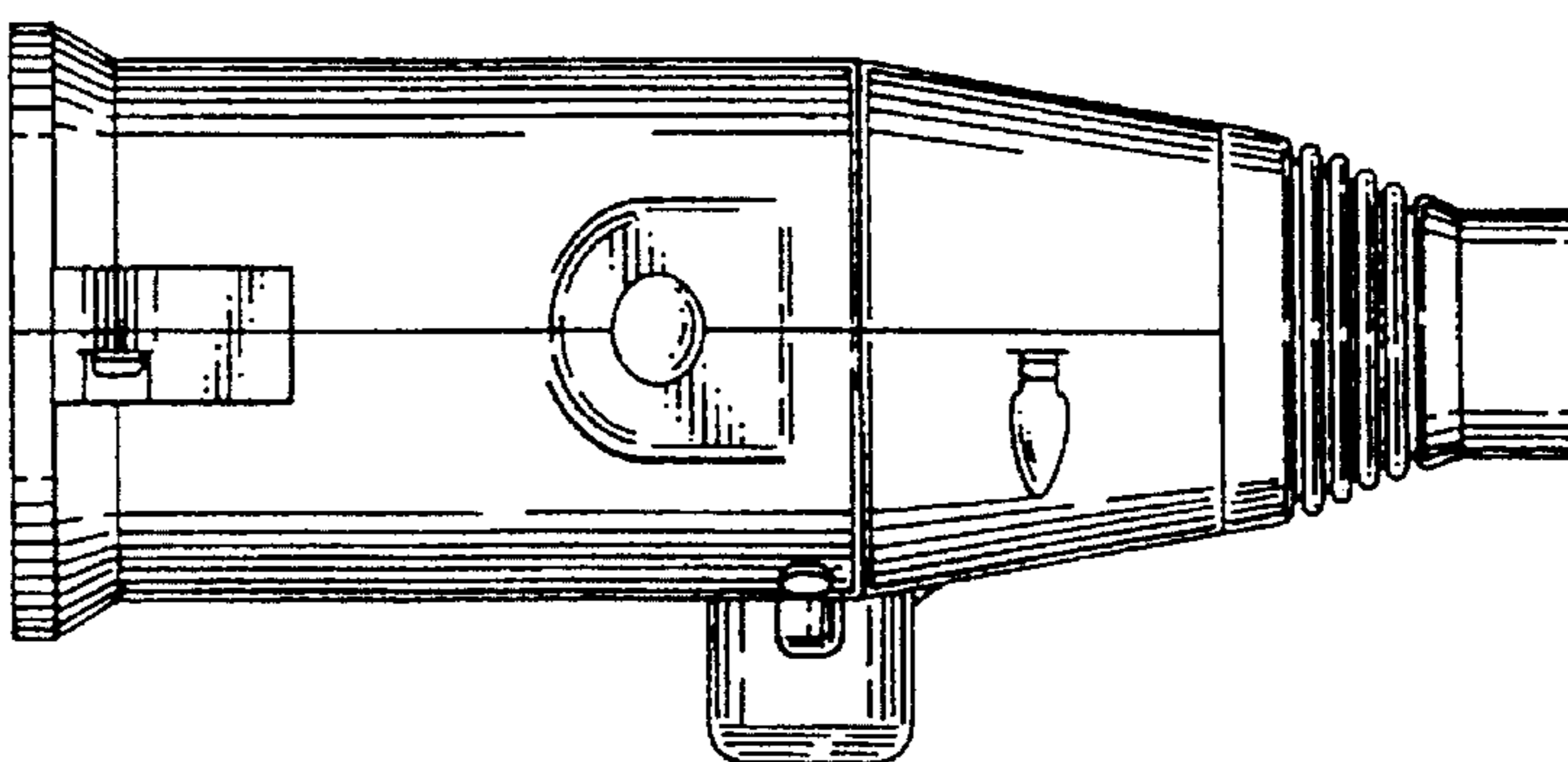


FIG. 4

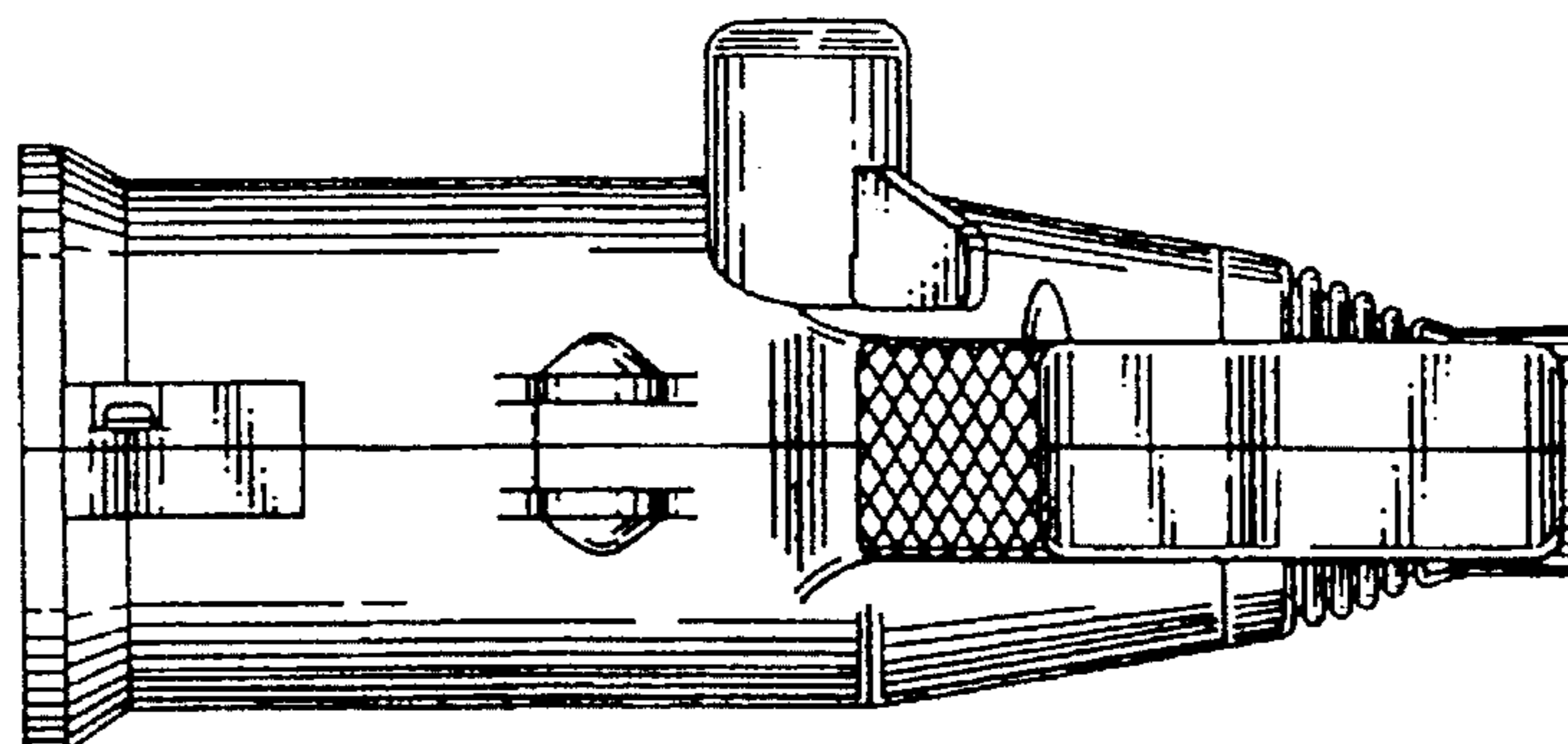


FIG. 5

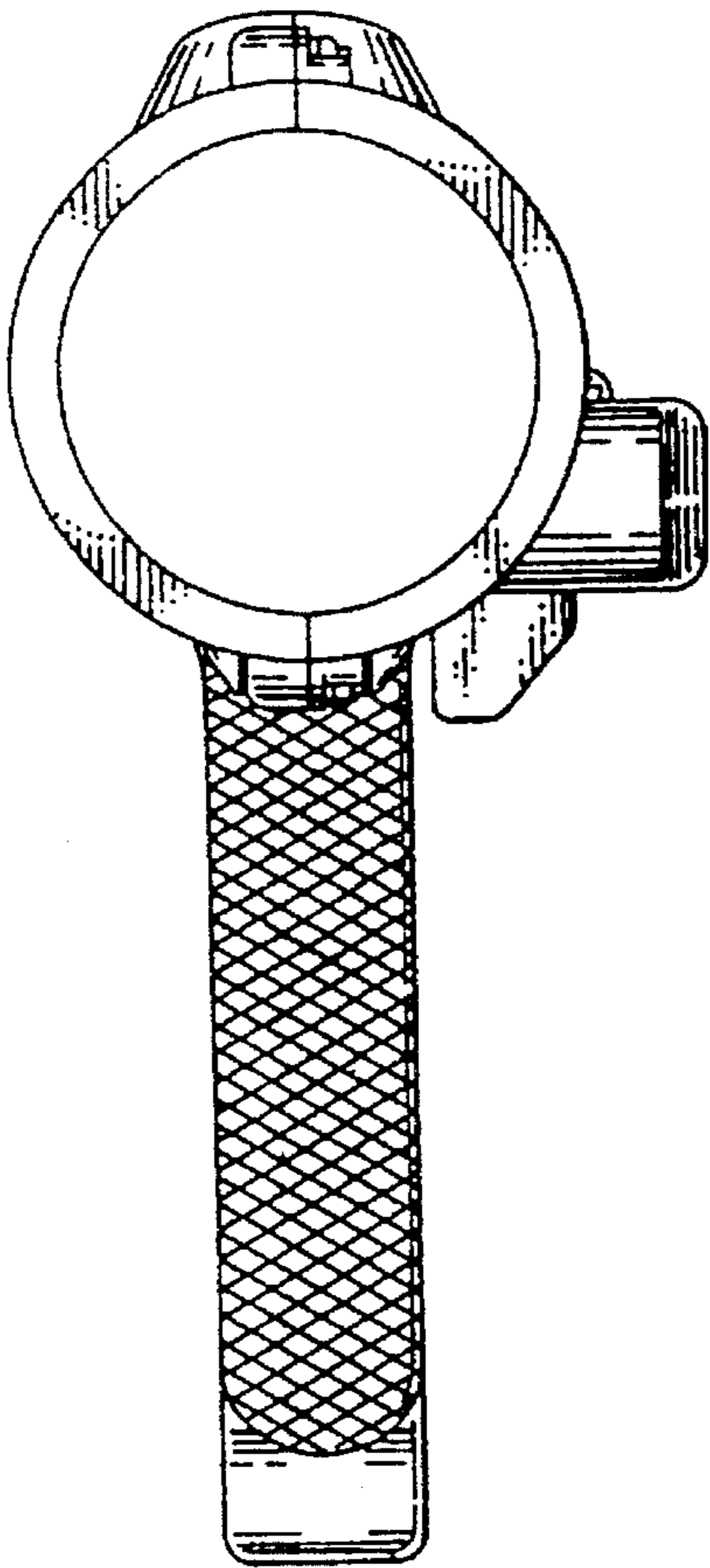


FIG. 6

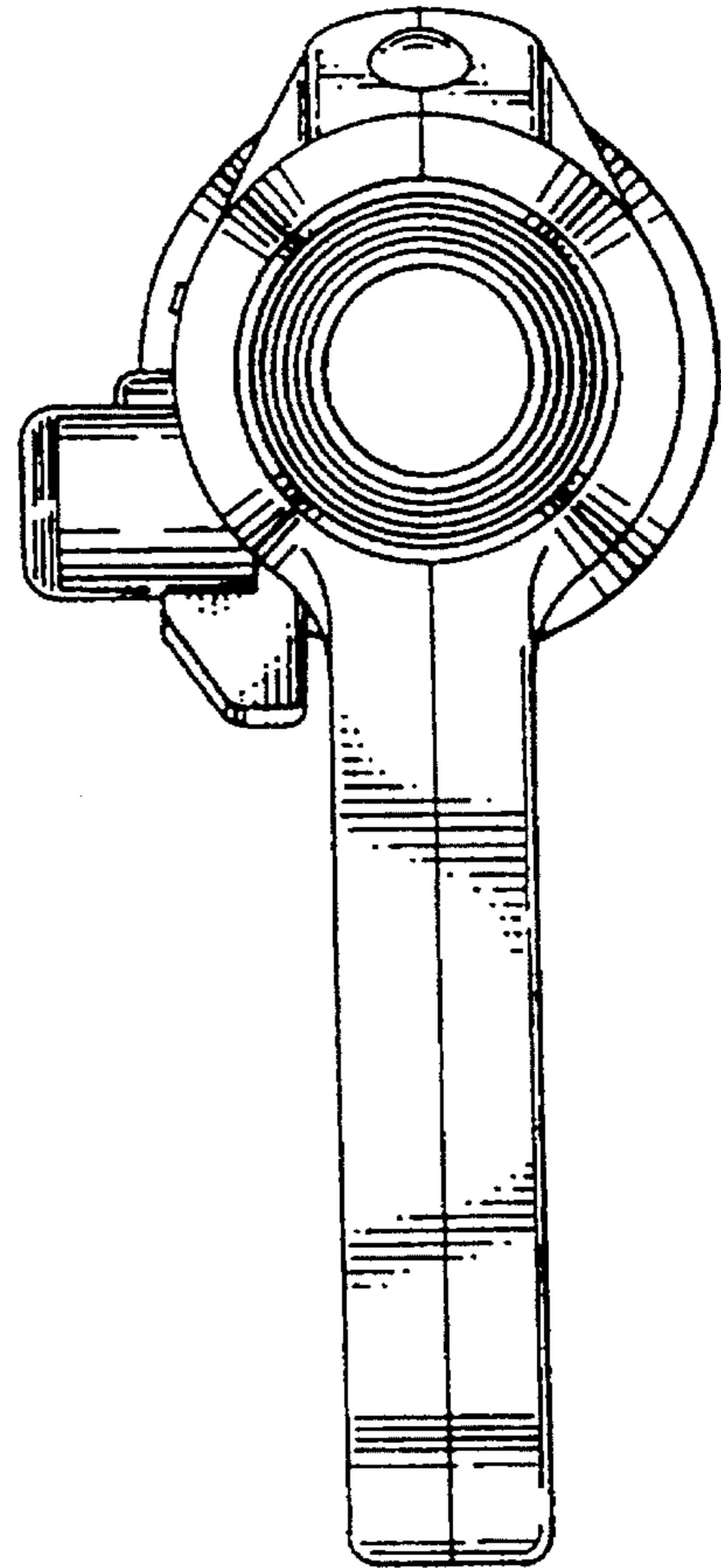


FIG. 7

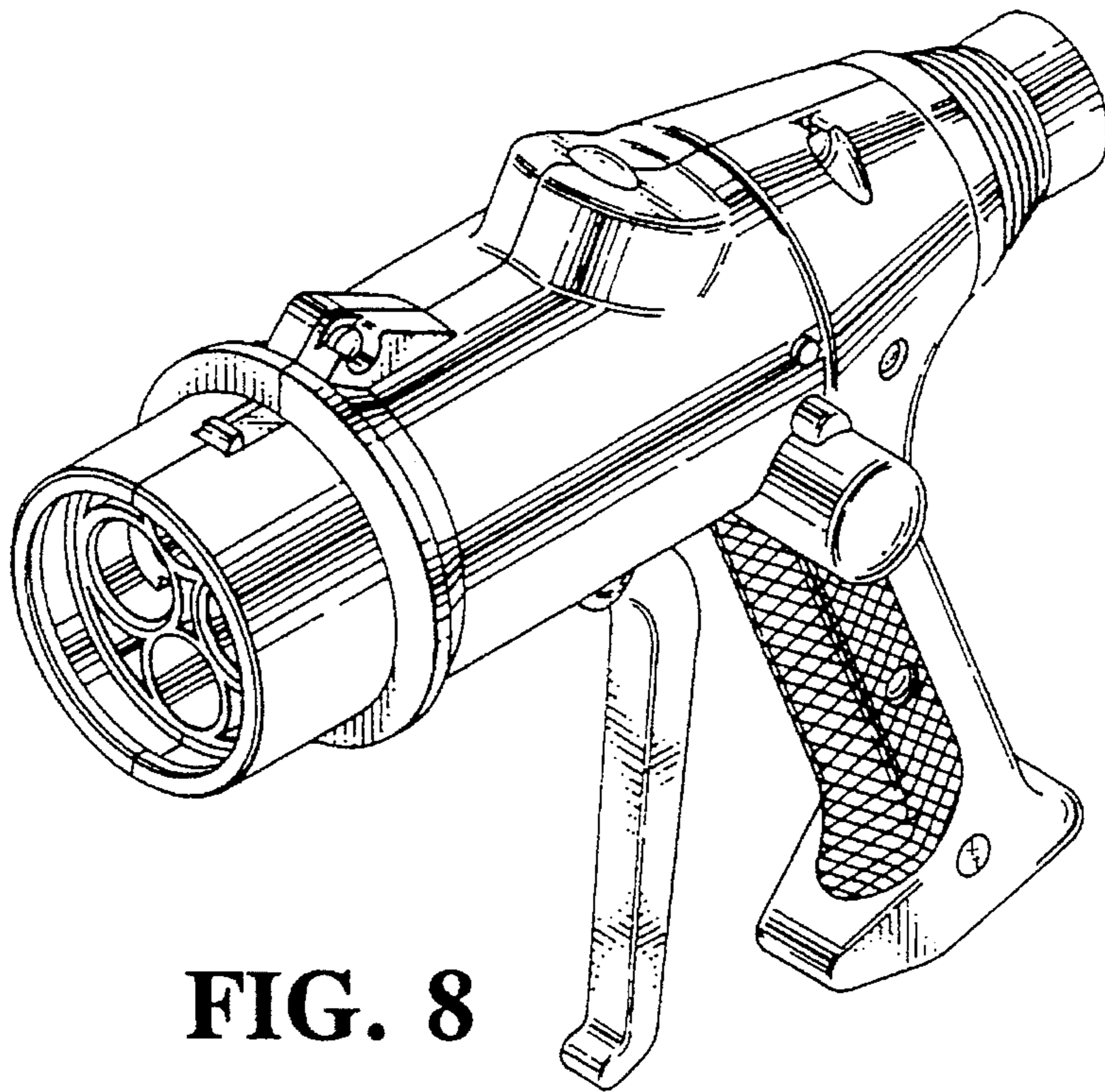


FIG. 8

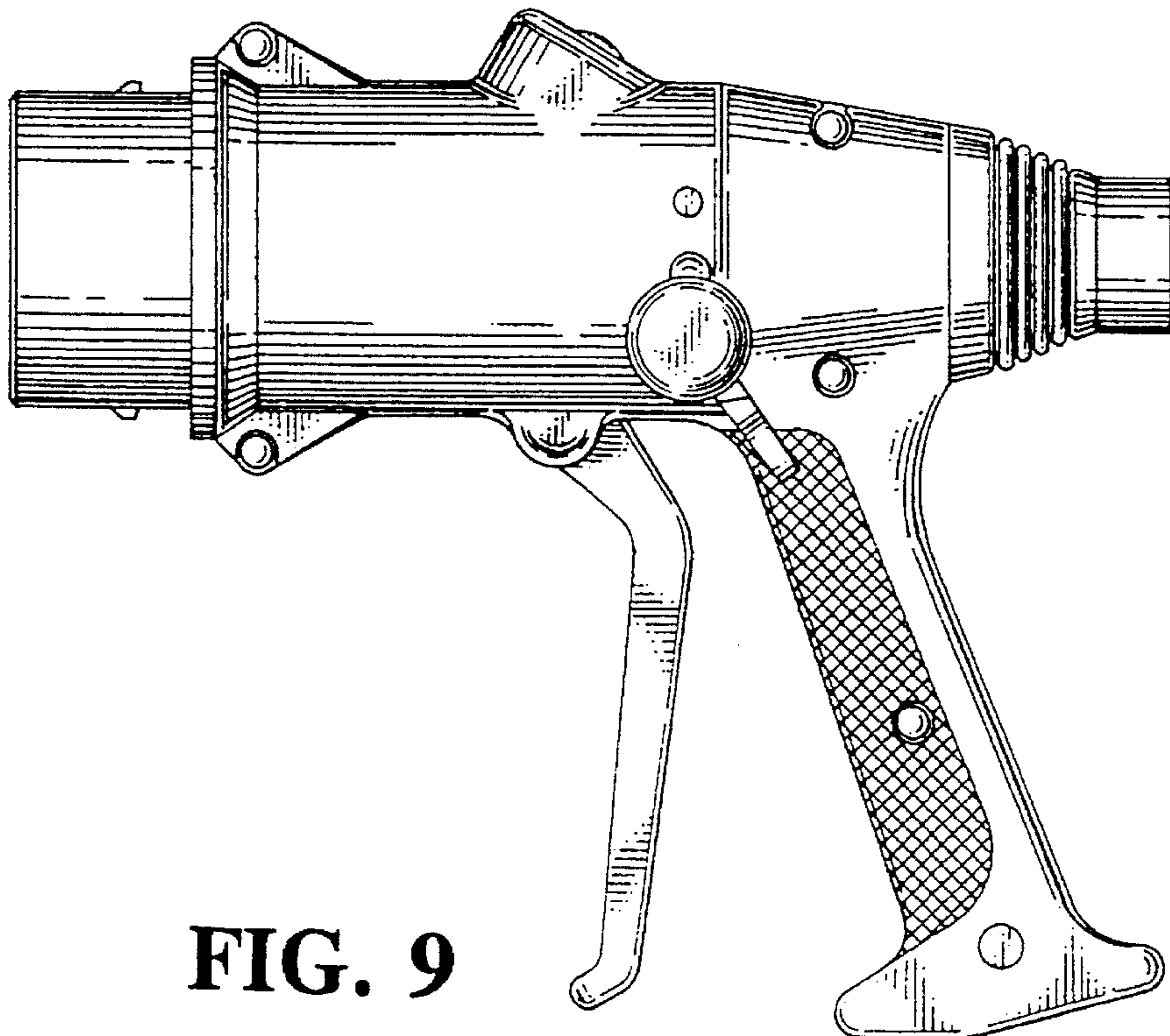


FIG. 9

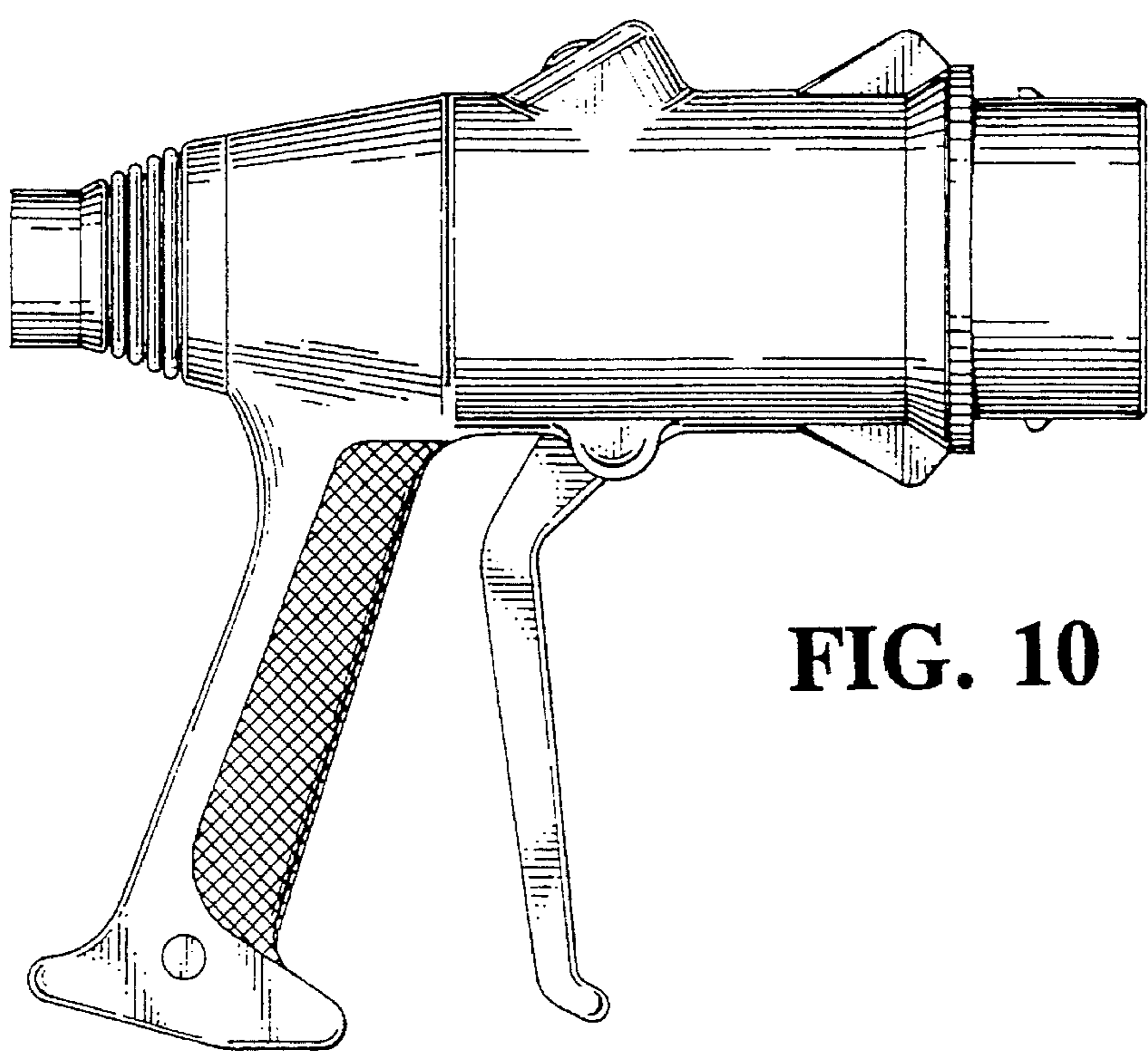


FIG. 10

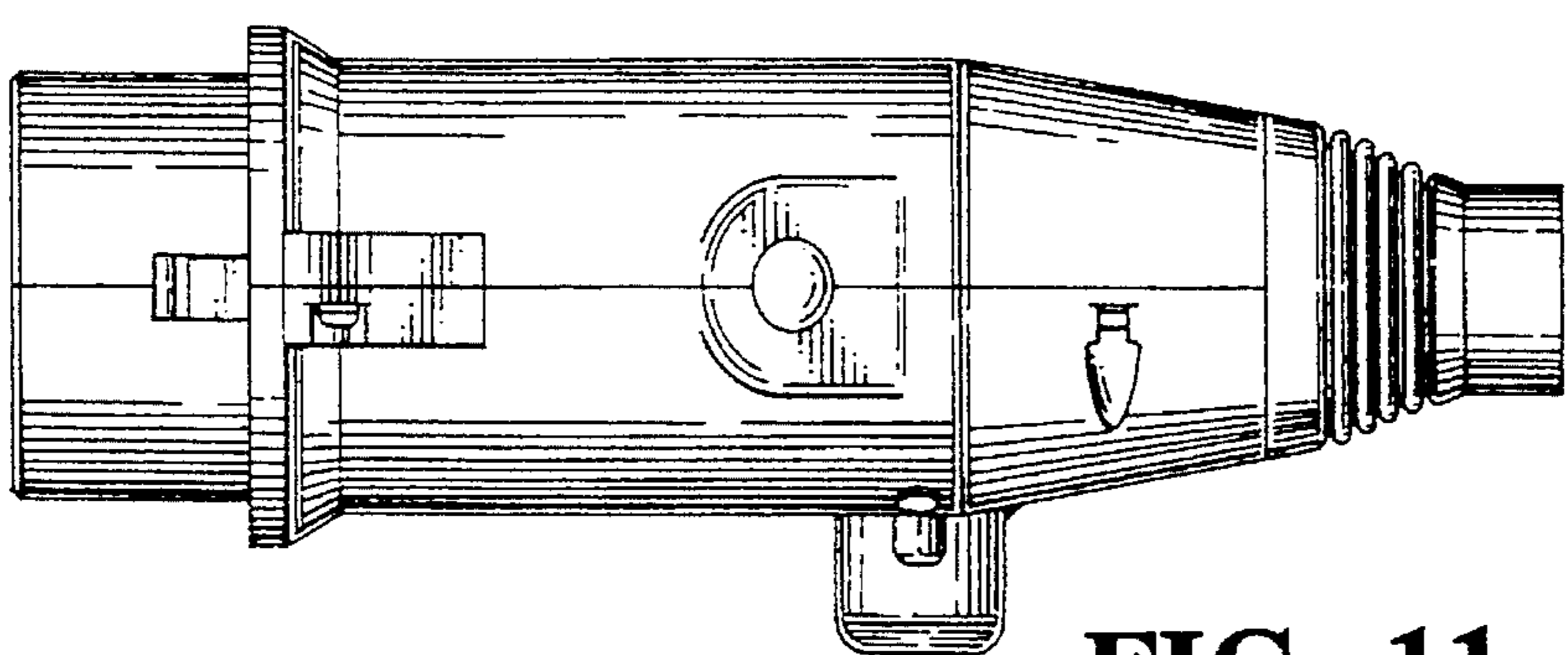


FIG. 11

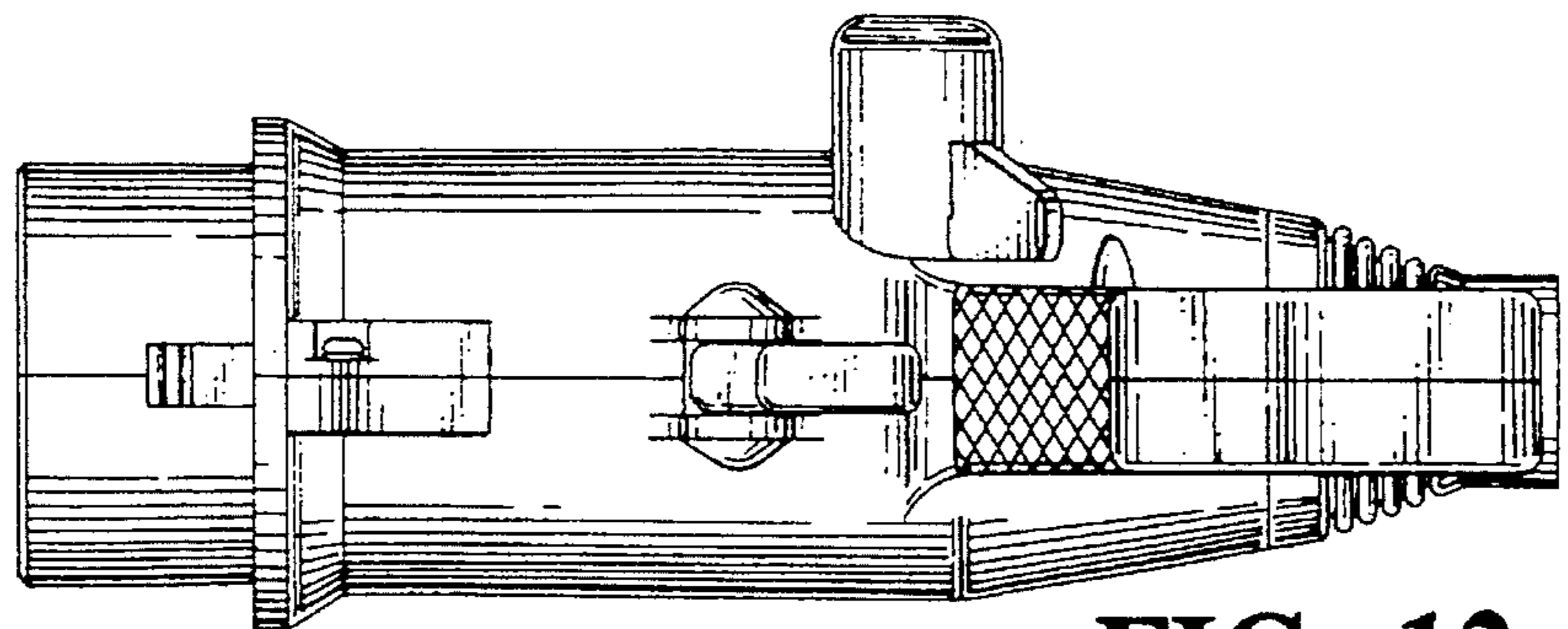


FIG. 12

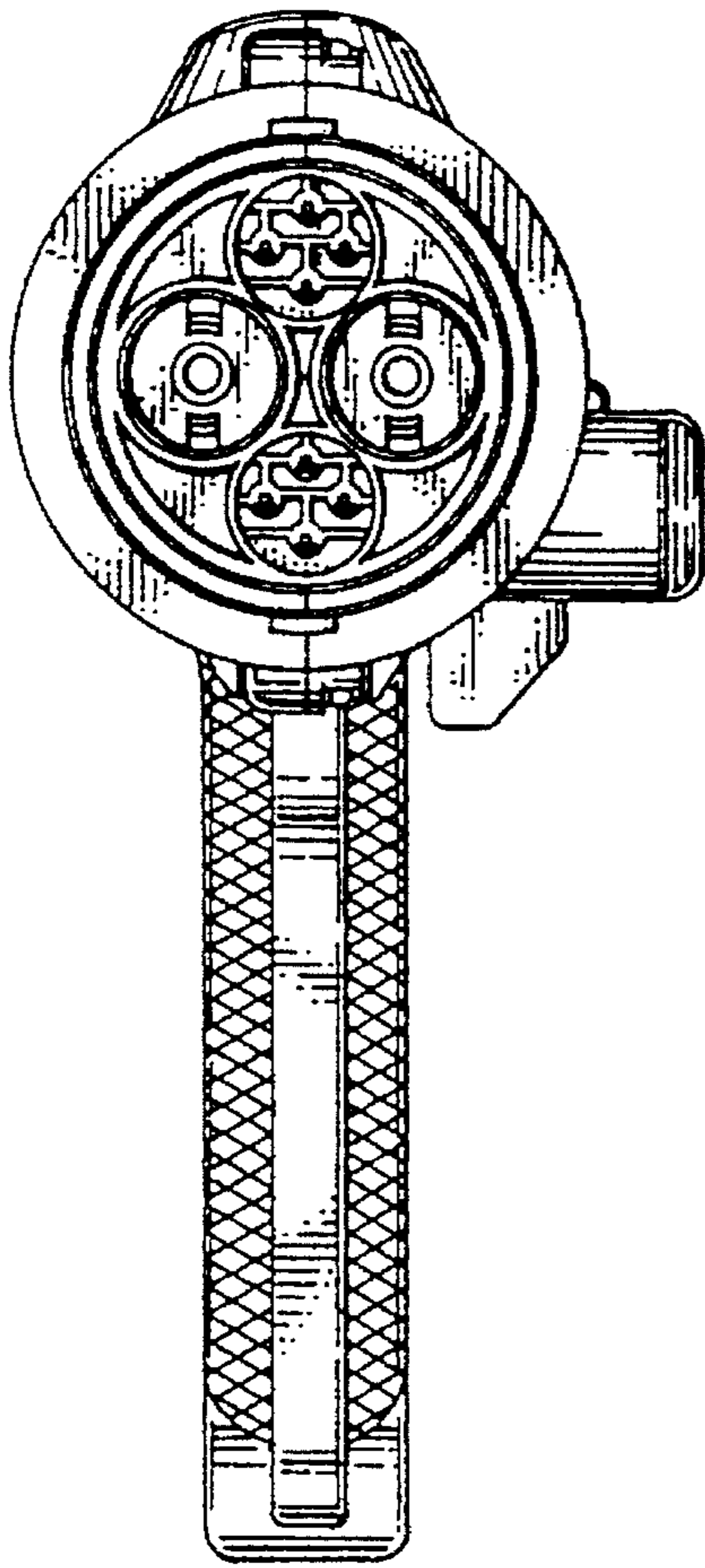


FIG. 13

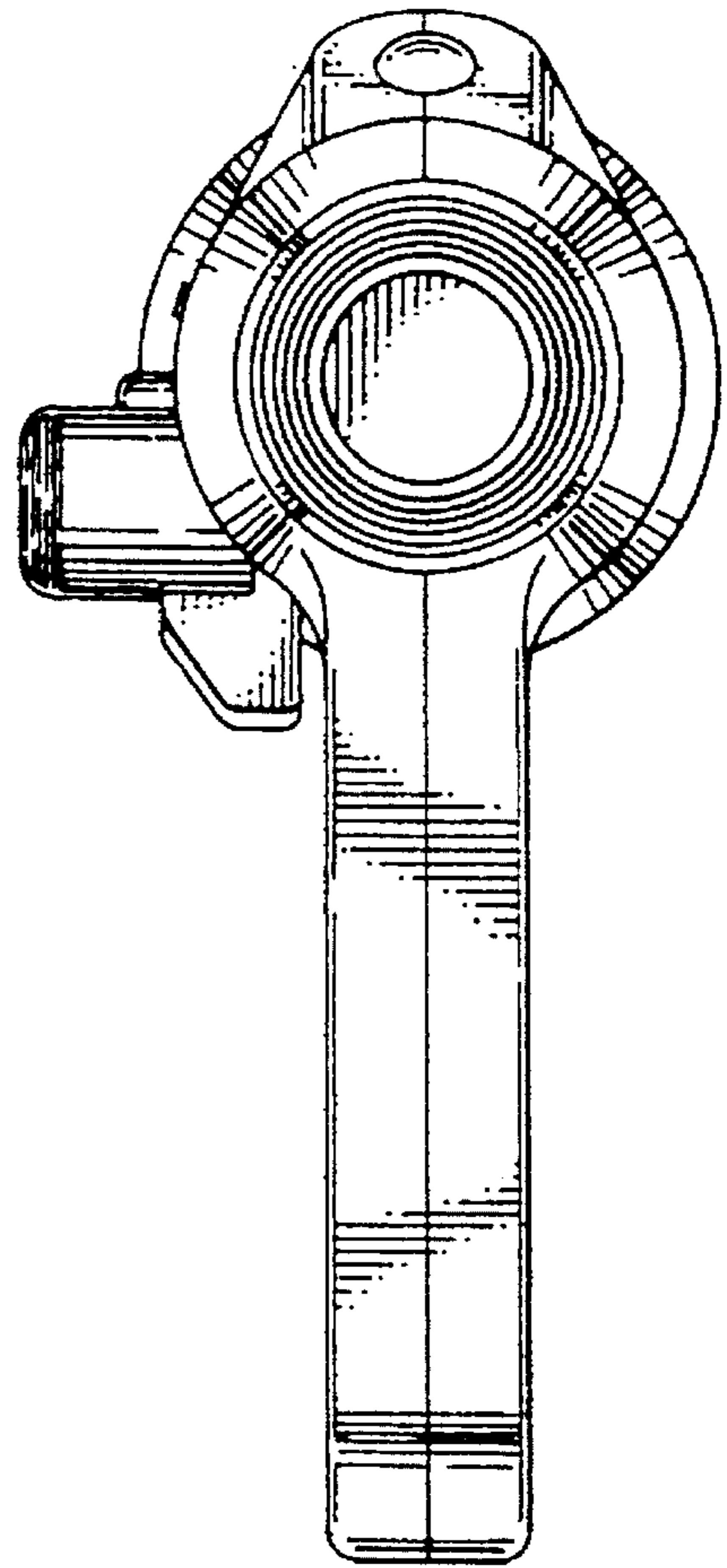


FIG. 14