



US00D370454S

United States Patent [19]

[11] **Patent Number:** **Des. 370,454**

Lockwood

[45] **Date of Patent:** ****Jun. 4, 1996**

[54] **WATER CRAFT**

[76] Inventor: **John B. Lockwood**, 227 Jackson St.,
Port Townsend, Wash. 98368

[**] Term: **14 Years**

[21] Appl. No.: **41,037**

[22] Filed: **Jul. 3, 1995**

[52] U.S. Cl. **D12/302; D12/300**

[58] Field of Search **D12/300, 302;**
114/347, 354, 355

[56] **References Cited**

U.S. PATENT DOCUMENTS

D. 233,424	10/1974	Lettmann	D12/302
D. 234,397	2/1975	Eriksen	D12/302
D. 358,573	5/1995	Lockwood	D12/302
4,407,216	10/1983	Masters	114/347

OTHER PUBLICATIONS

Country Ways® Inc. Boat Kits, Kayak Kits, "Scandian Single".

Primary Examiner—Kay H. Chin

Attorney, Agent, or Firm—Hughes, Multer and Schacht

[57] **CLAIM**

The ornamental design for a water craft, as shown and described.

DESCRIPTION

FIG. 1 is a top perspective view of a water craft showing my new design;

FIG. 2 is a top plan view thereof;

FIG. 3 is a side elevational view thereof, the opposite side view being a mirror image of that shown;

FIG. 4 is a bottom plan view thereof;

FIG. 5 is a front elevational view thereof;

FIG. 6 is a rear elevational view thereof;

FIG. 7 is a top perspective view of a second embodiment of the water craft;

FIG. 8 is a top plan view of FIG. 7;

FIG. 9 is a side elevational view of FIG. 7, the opposite side view being a mirror image of that shown;

FIG. 10 is a bottom plan view of FIG. 7;

FIG. 11 is a front elevational view of FIG. 7;

FIG. 12 is a rear elevational view of FIG. 7;

FIG. 13 is a top perspective view of a third embodiment of the water craft;

FIG. 14 is a top plan view of FIG. 13;

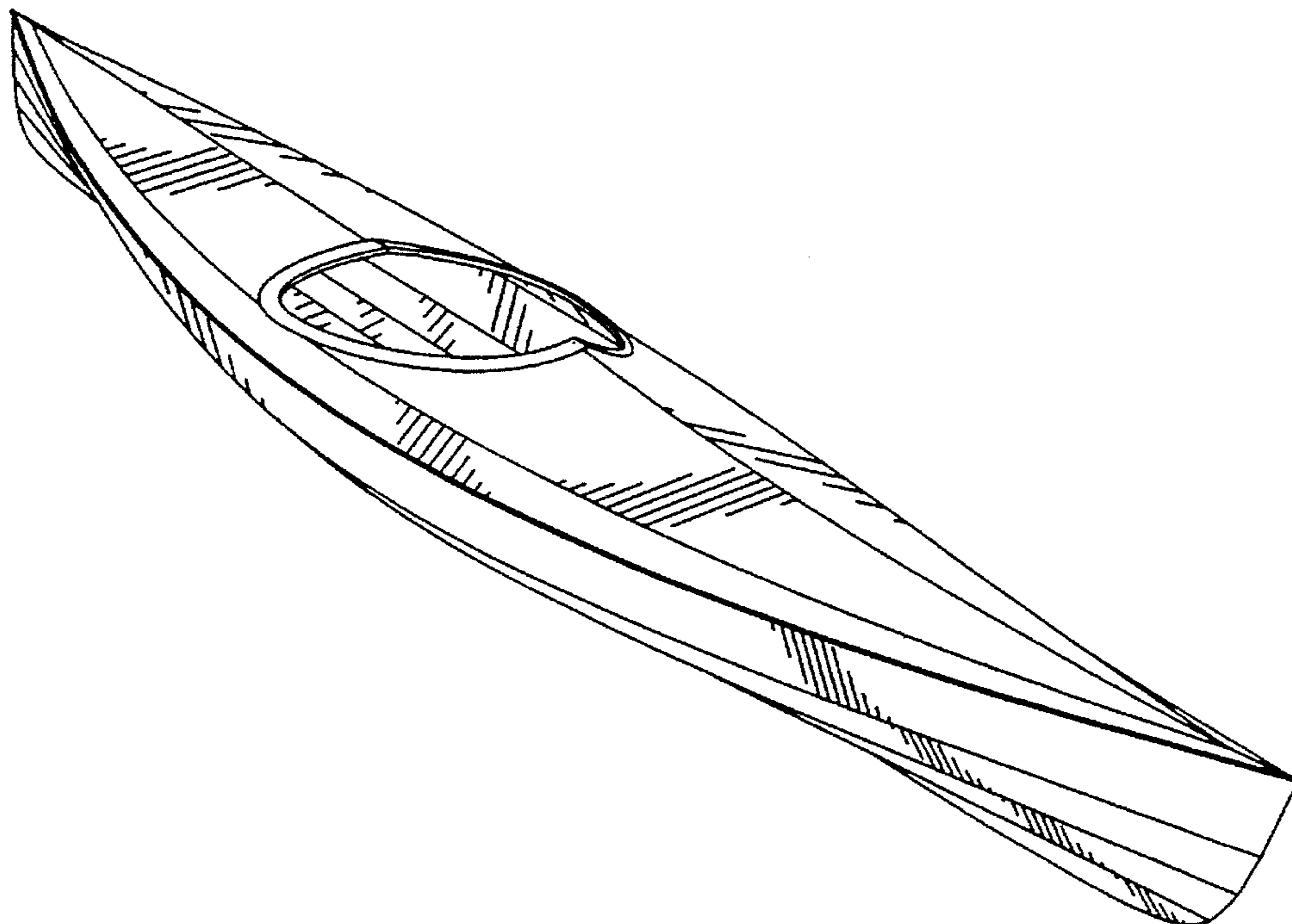
FIG. 15 is a side elevational view of FIG. 13, the opposite side view being a mirror image of that shown;

FIG. 16 is a bottom plan view of FIG. 13;

FIG. 17 is a front elevational view of FIG. 13; and,

FIG. 18 is a rear elevational view of FIG. 13.

1 Claim, 6 Drawing Sheets



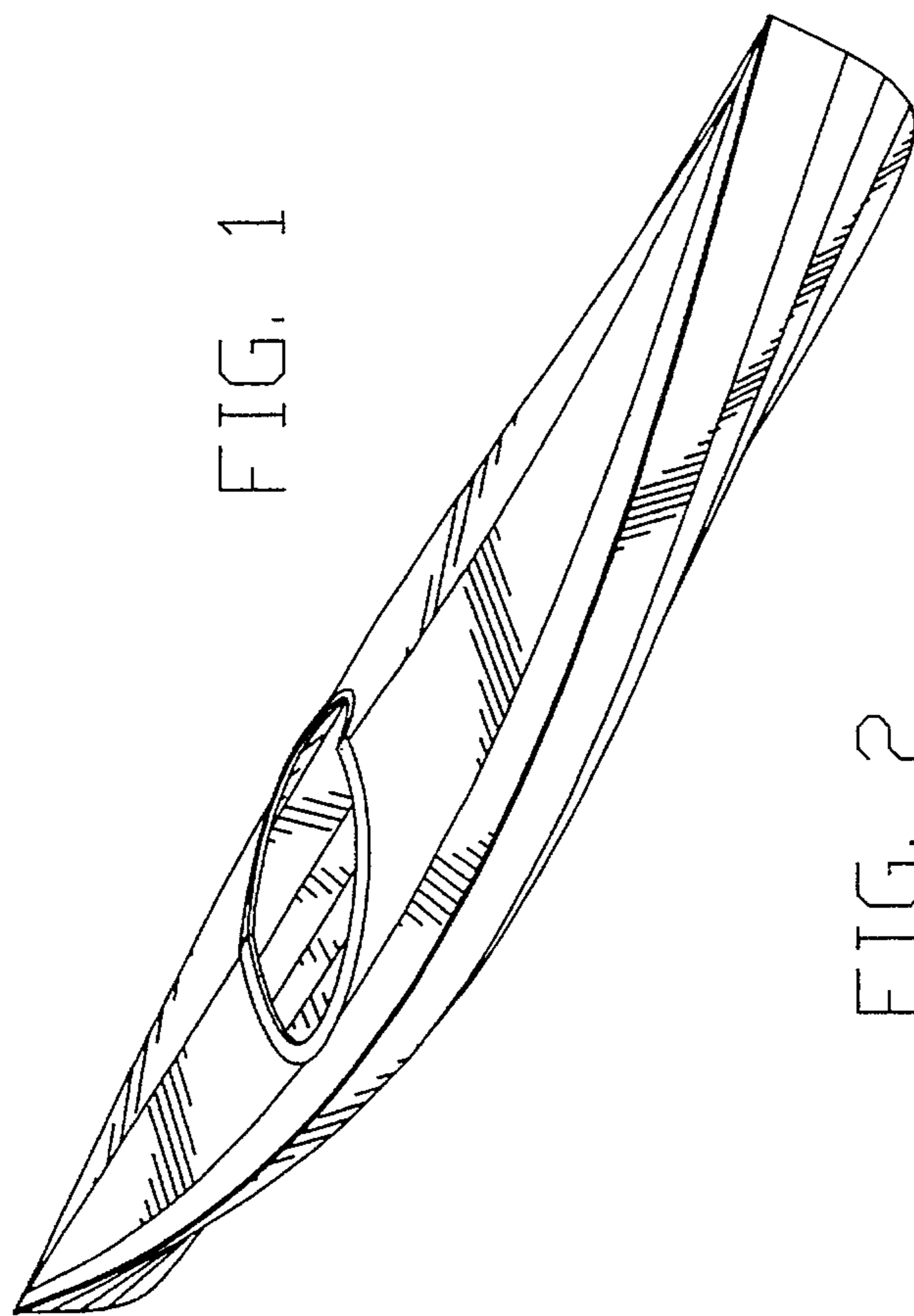


FIG. 1

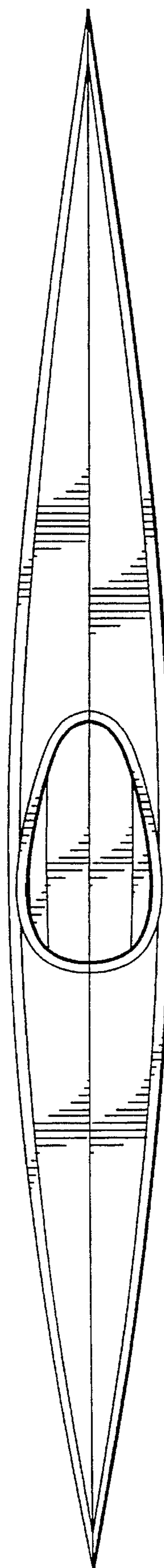


FIG. 2

FIG. 3



FIG. 4

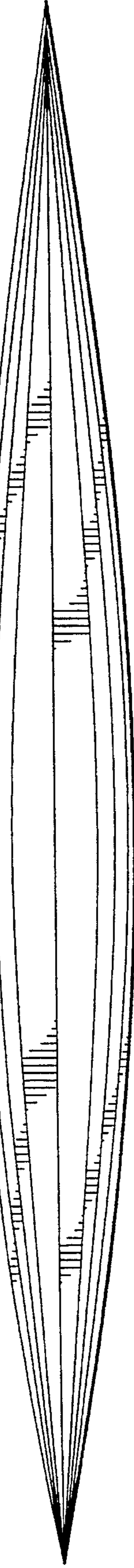


FIG. 5

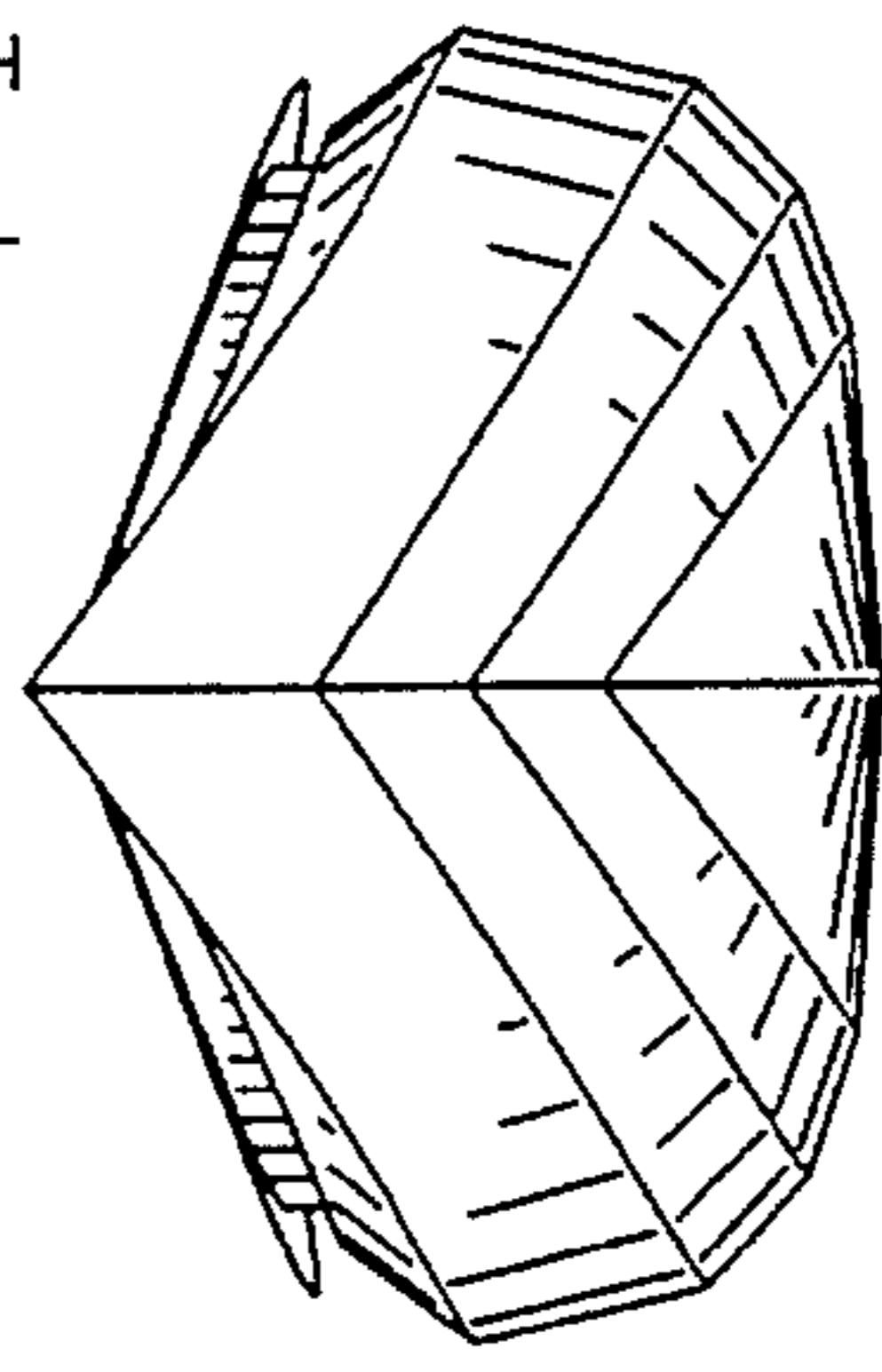
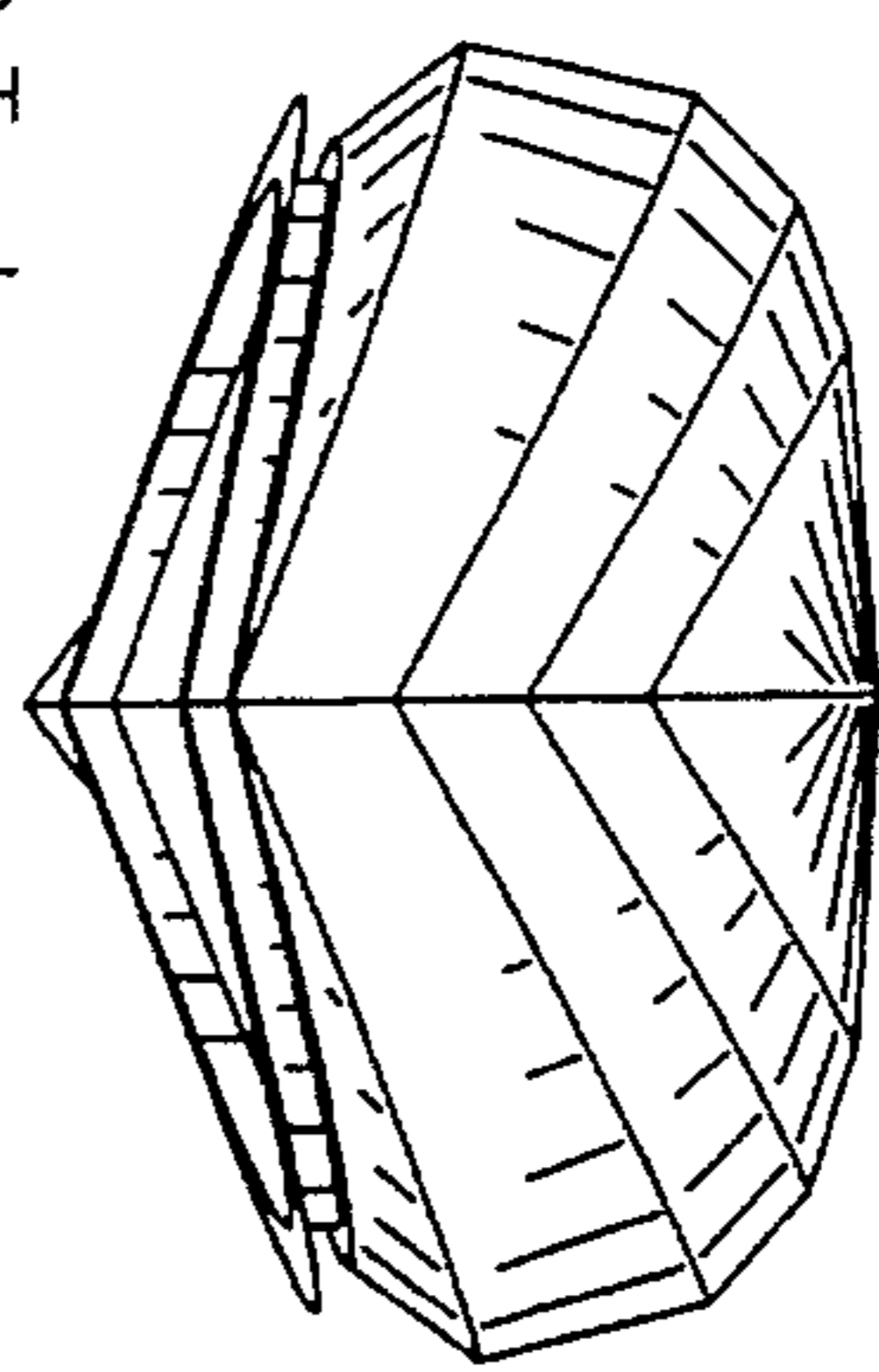


FIG. 6



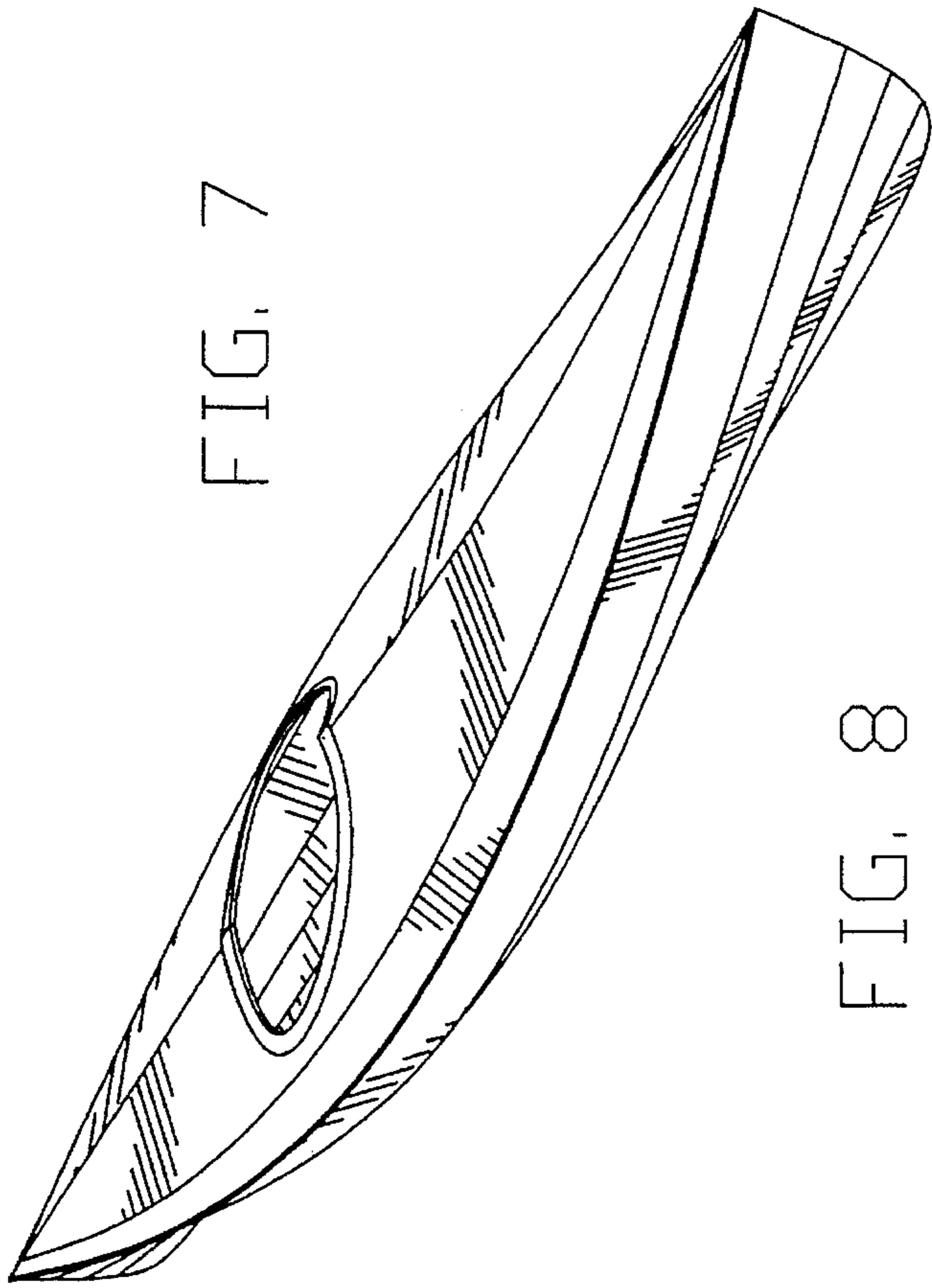


FIG. 8

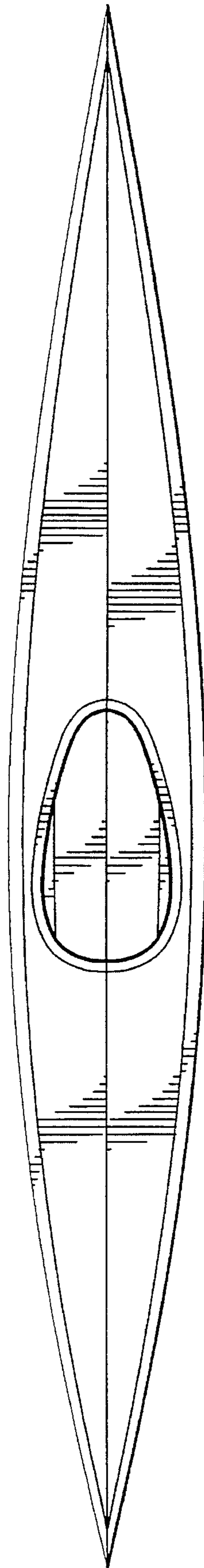


FIG. 9

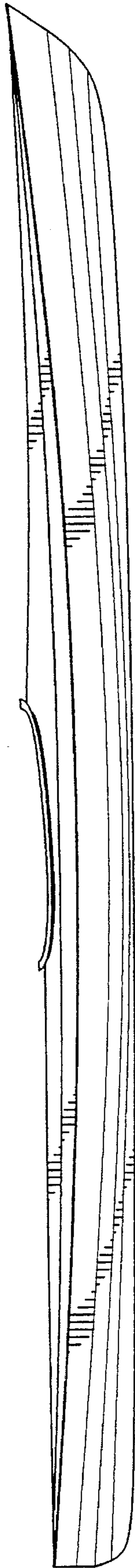


FIG. 10

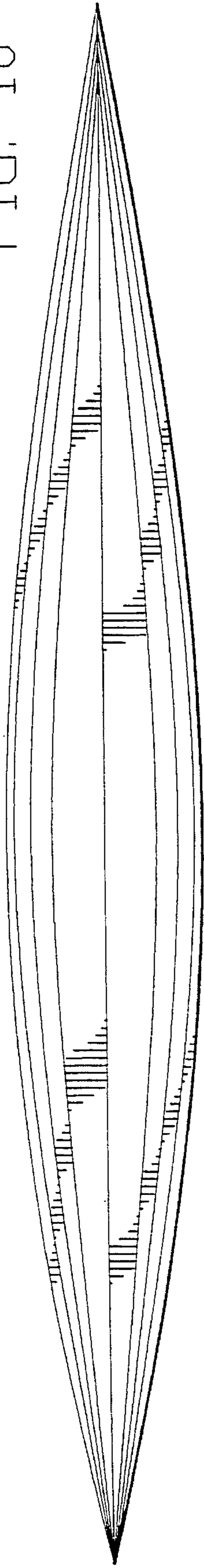


FIG. 11

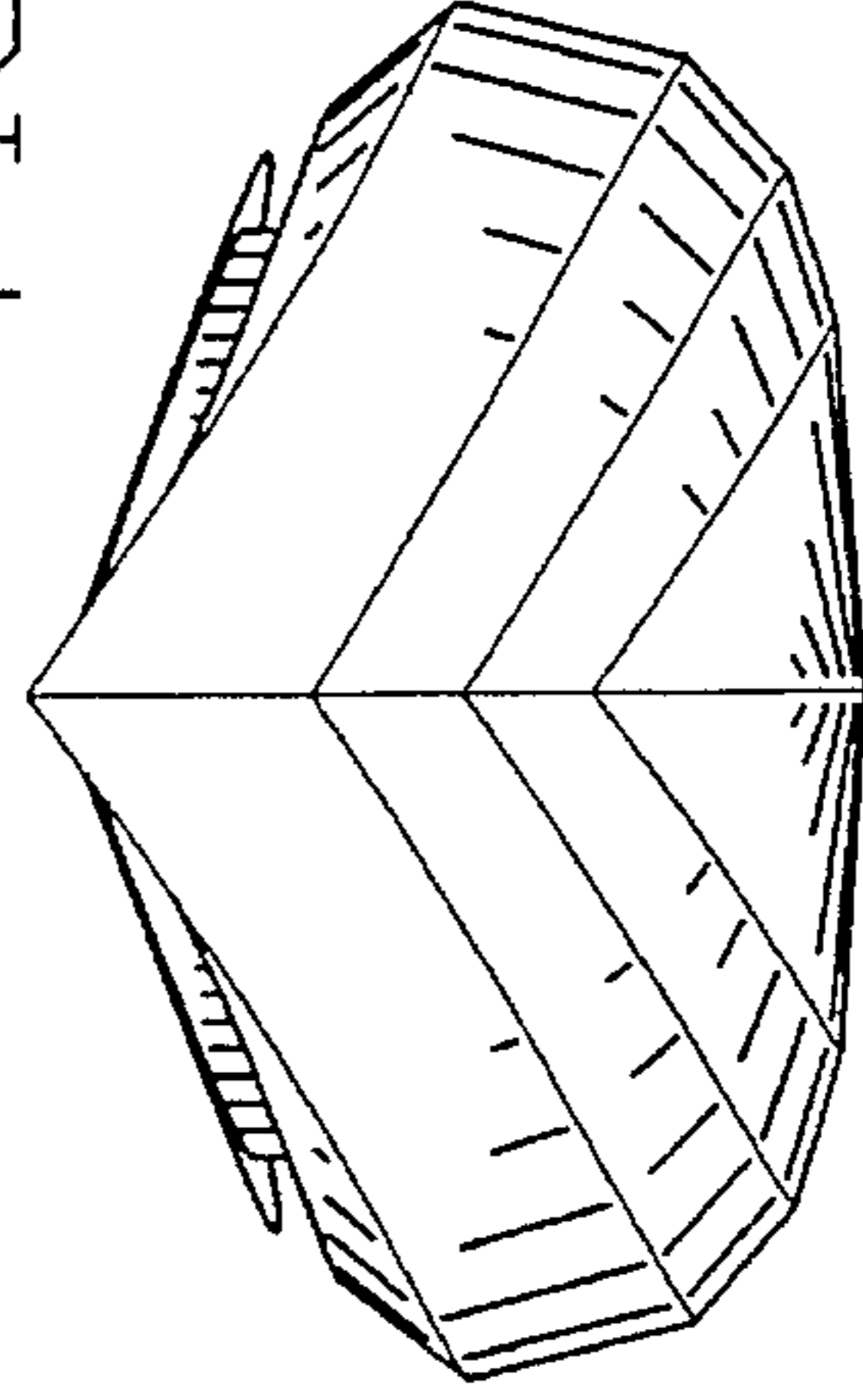


FIG. 12

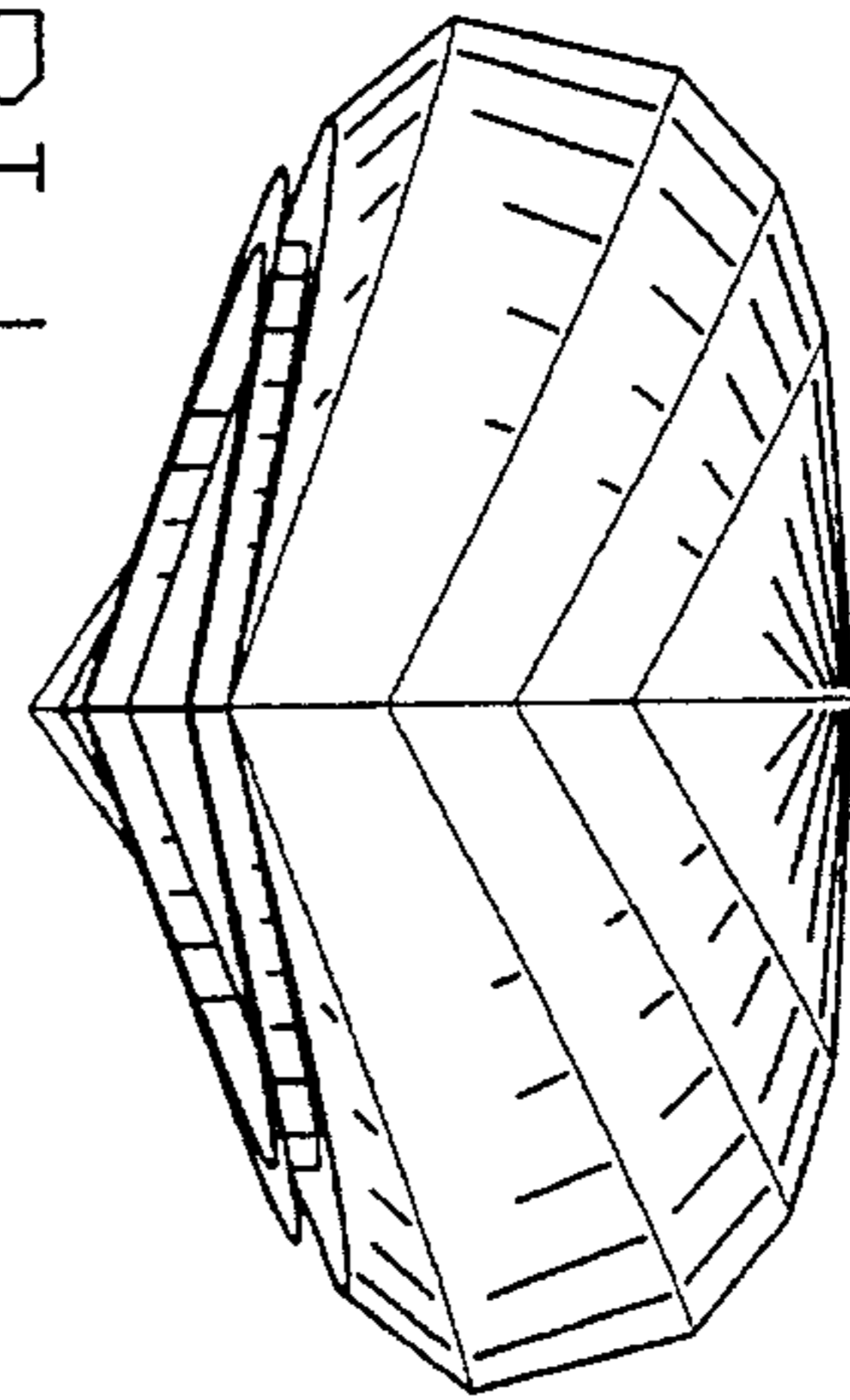


FIG. 13

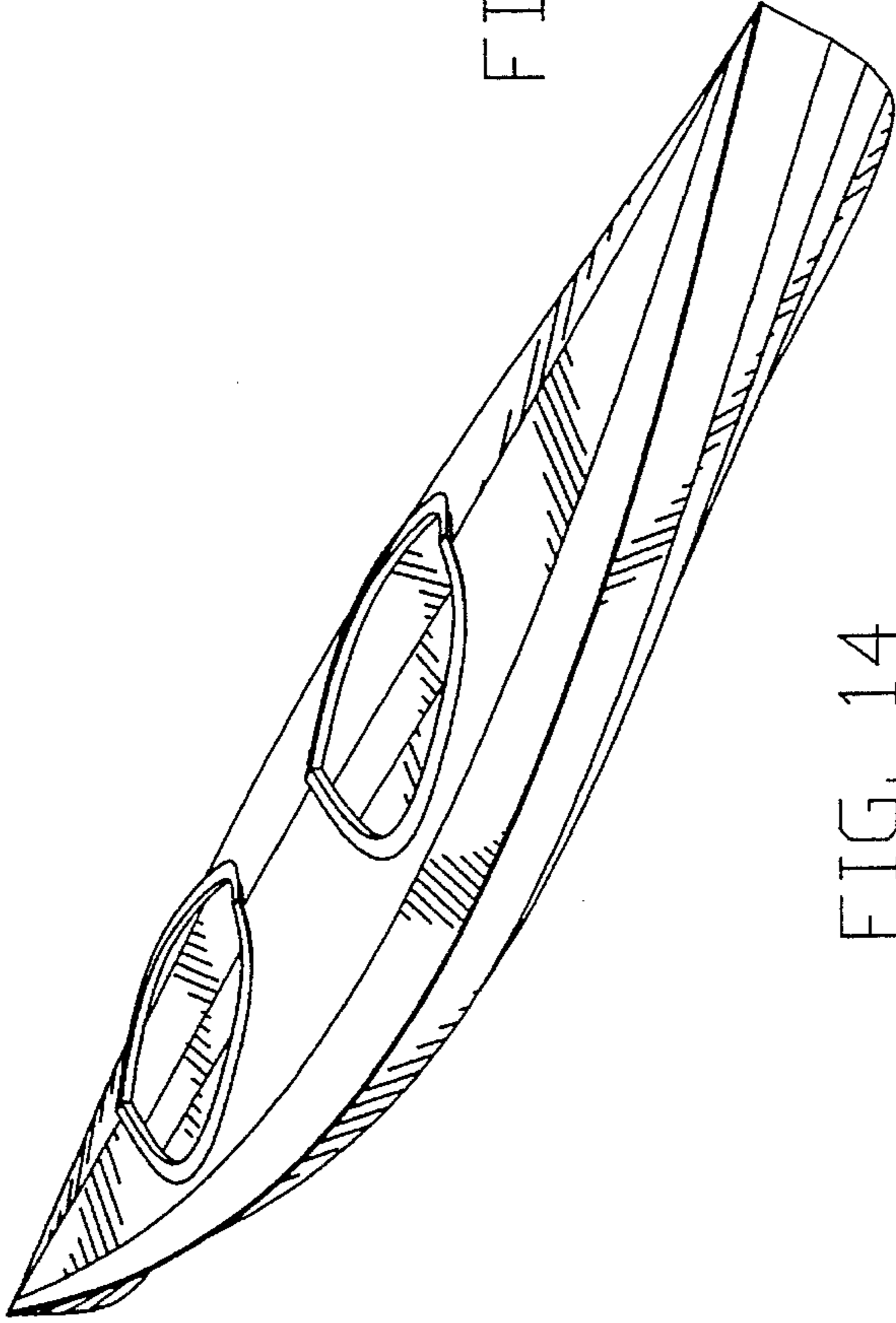


FIG. 14

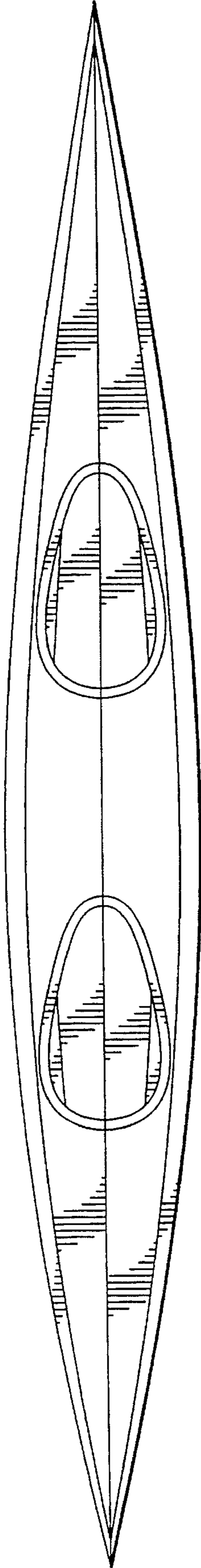


FIG. 15

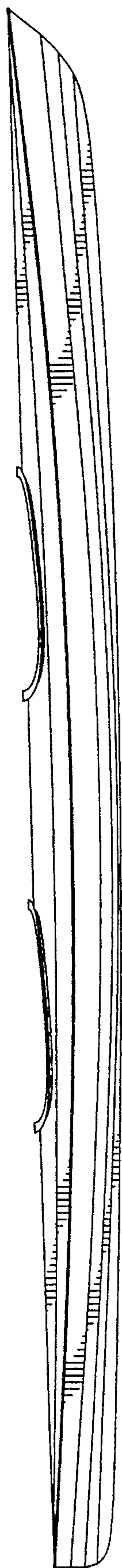


FIG. 16

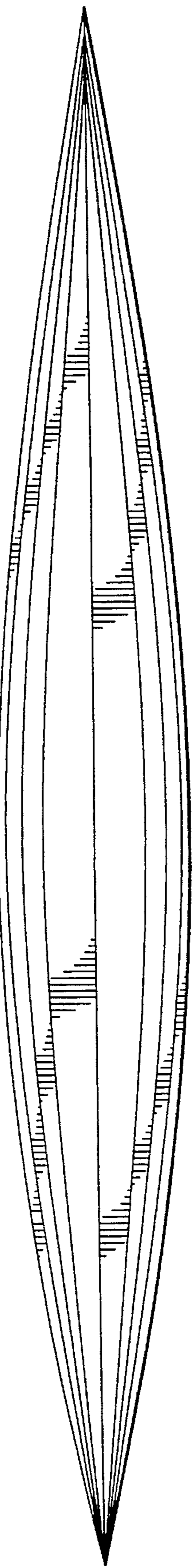


FIG. 17

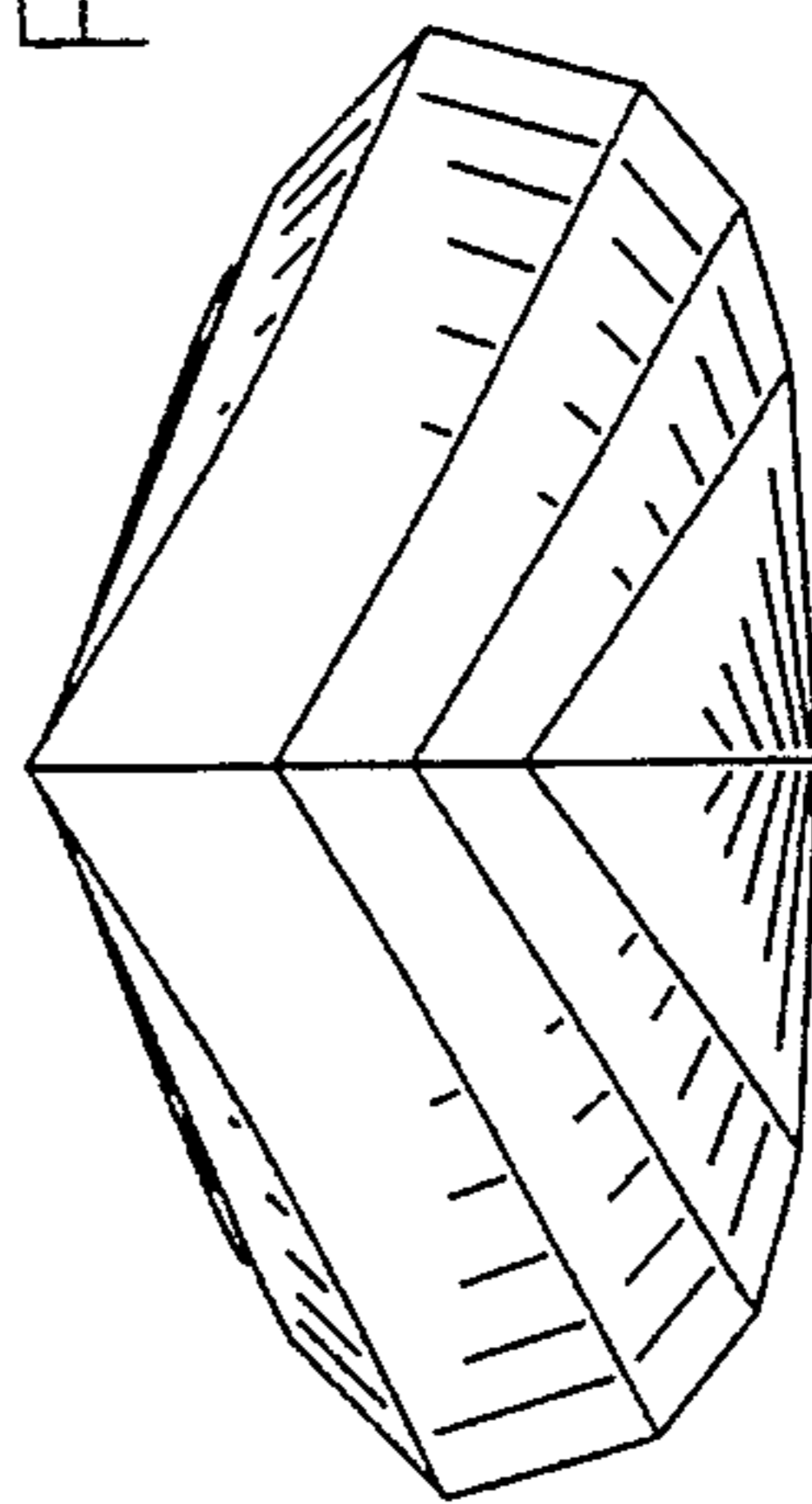


FIG. 18

