



US00D370450S

United States Patent [19]

[11] Patent Number: **Des. 370,450**

Doan

[45] Date of Patent: ****Jun. 4, 1996**

[54] **PROTECTIVE LICENSE PLATE COVER DESIGN**

[76] Inventor: **Duc Doan**, 4125 S. Figueroa, Suite 301, Los Angeles, Calif. 90037

[**] Term: **14 Years**

[21] Appl. No.: **38,086**

[22] Filed: **Apr. 28, 1995**

[52] U.S. Cl. **D12/193**

[58] Field of Search D12/193; D20/13, D20/14; D6/300, 303, 305, 310, 311; 40/200, 209

[56] **References Cited**

U.S. PATENT DOCUMENTS

D. 163,421 5/1951 Rothman D12/193
2,831,281 4/1958 Nayman D12/193

Primary Examiner—Alan P. Douglas
Assistant Examiner—S. Snapp
Attorney, Agent, or Firm—Curtis L. Harrington

[57] **CLAIM**

The ornamental design for a protective license plate cover design, as shown and described.

DESCRIPTION

FIG. 1 is a perspective view of the protective license plate

cover design of the present invention and illustrating an open area and holes for attachment of the cover;

FIG. 2 is a top view of the protective license plate cover design of the present invention as was shown in FIG. 1;

FIG. 3 is a front plan view of the protective license plate cover design of the present invention as was shown in FIGS. 1 and 2;

FIG. 4 is a right side view of the protective license plate cover design shown in FIGS. 1-3;

FIG. 5 is a rear plan view of the protective license plate cover design of the present invention as was shown in FIGS. 1-4;

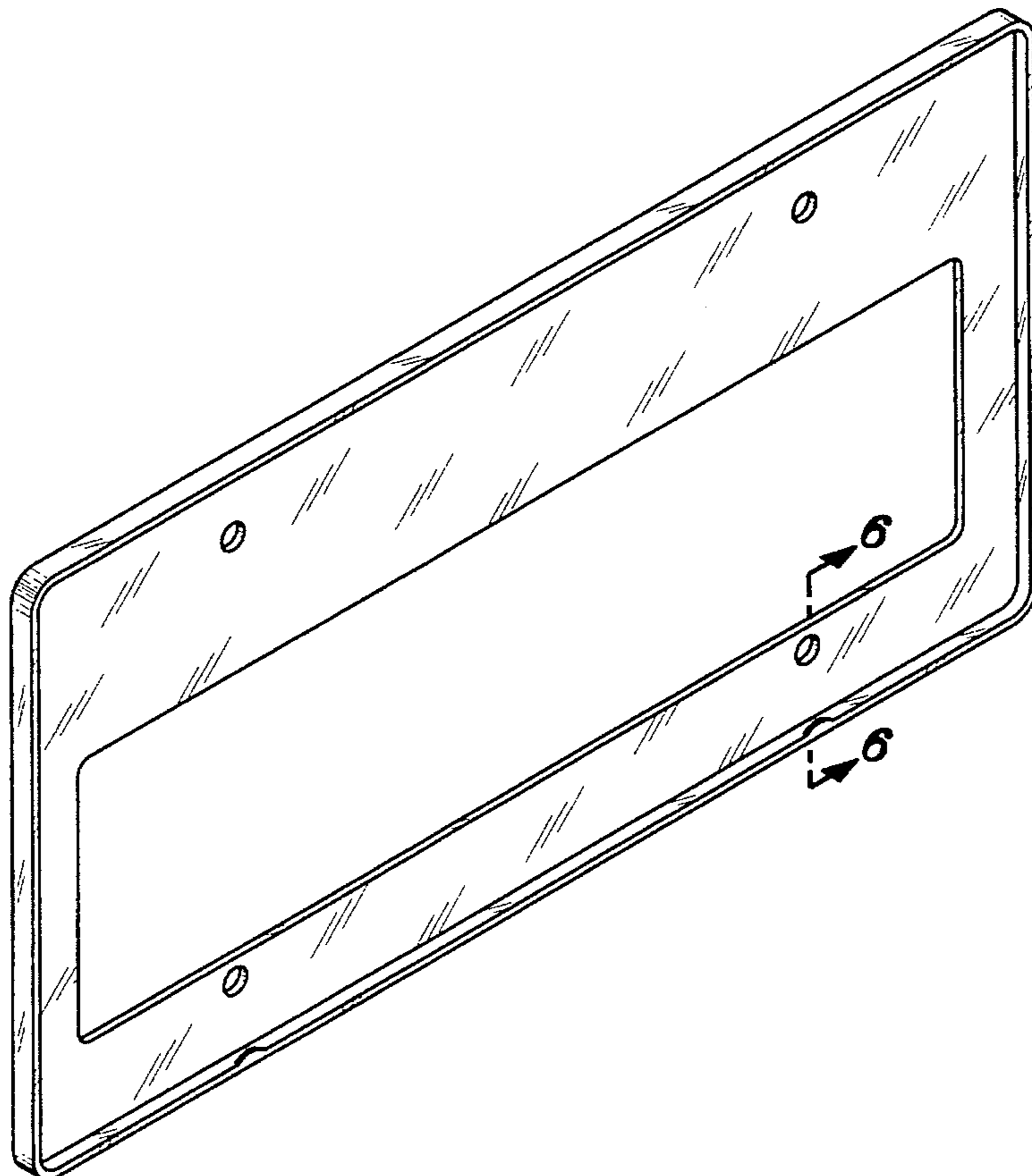
FIG. 6 is a detail view of the protective license plate cover design shown in FIG. 1 and emphasizing the shape of the material as it is visible to the user, particularly since such material is clear;

FIG. 7 is a perspective of a second embodiment of the protective license plate cover design having no open window and in which locking tabs are shown along the bottom edge;

FIG. 8 is a front plan view of the second embodiment of the protective license plate cover design shown in FIG. 7; and,

FIG. 9 is a rear plan view of the second embodiment of the protective license plate cover design shown in FIGS. 7 and 8.

1 Claim, 4 Drawing Sheets



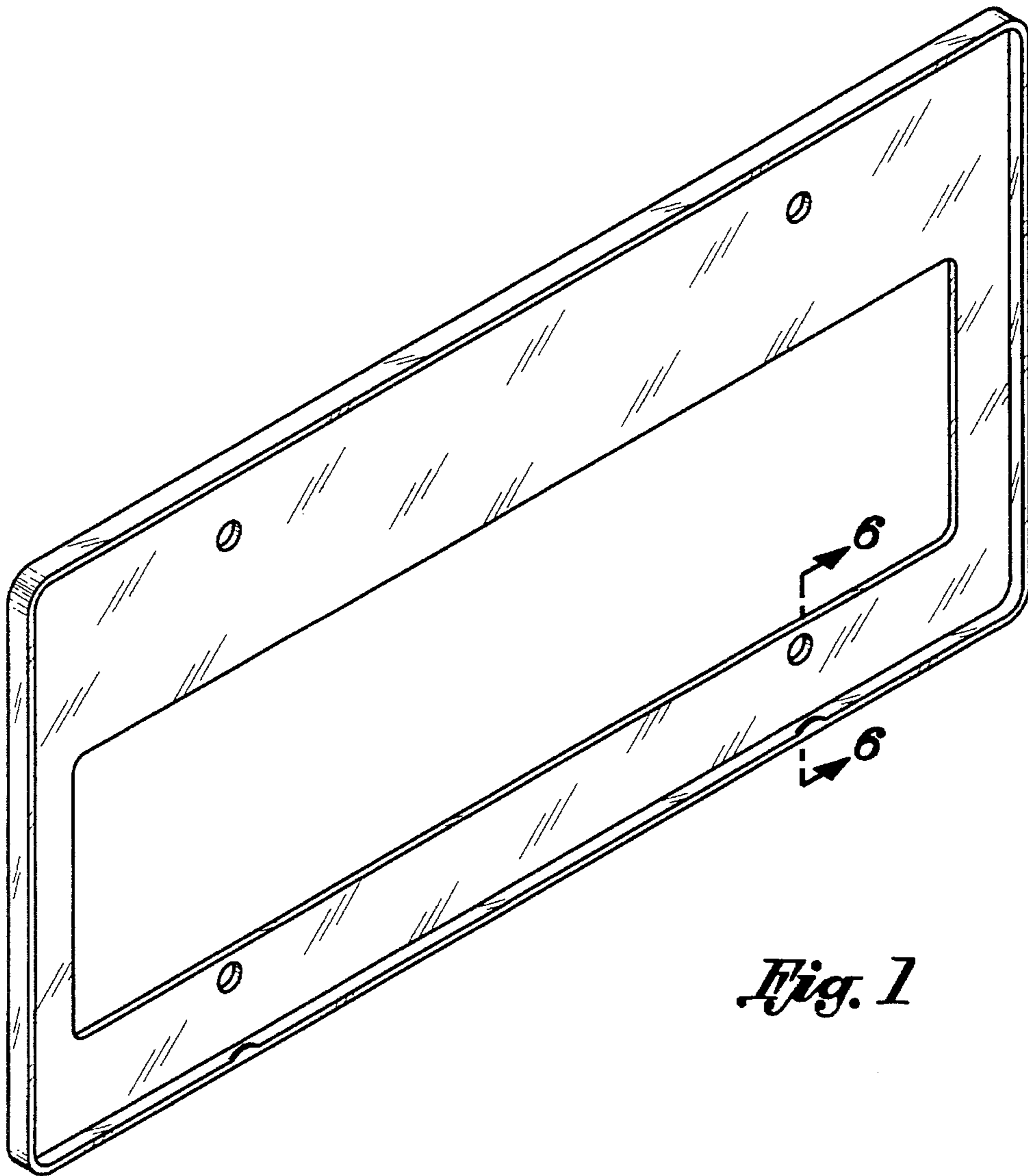


Fig. 1



Fig. 6

Fig. 2

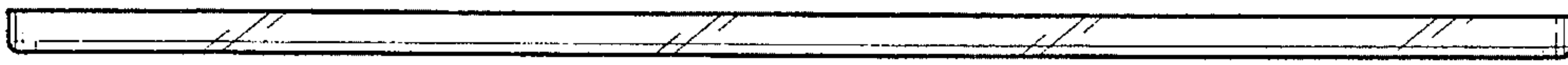


Fig. 3

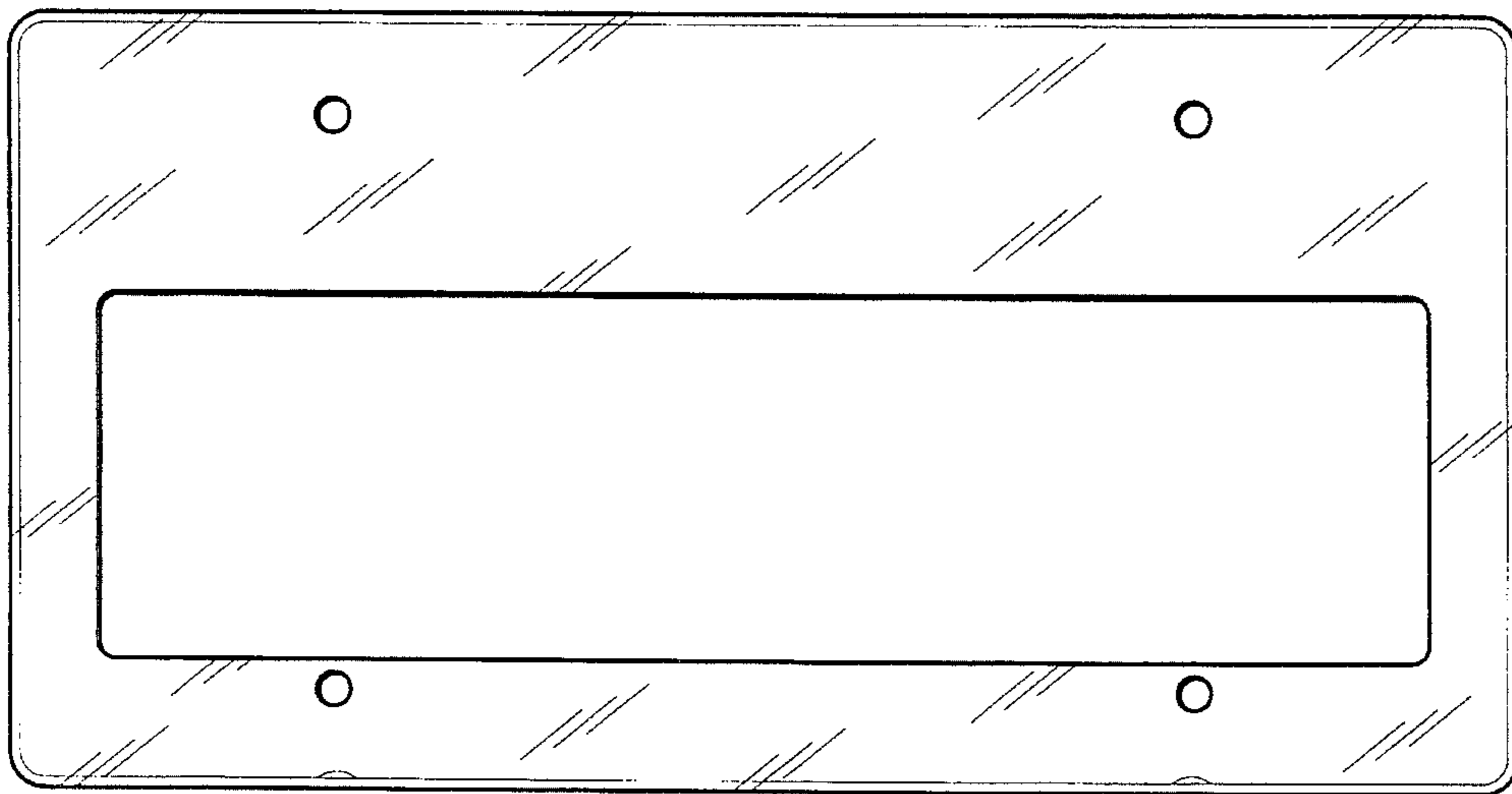


Fig. 4

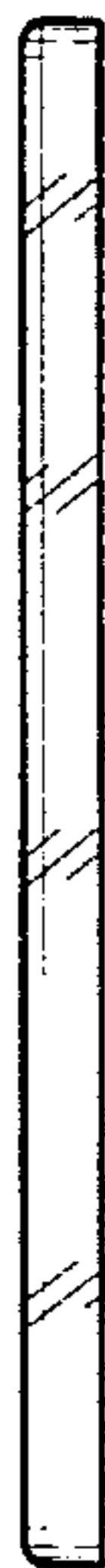
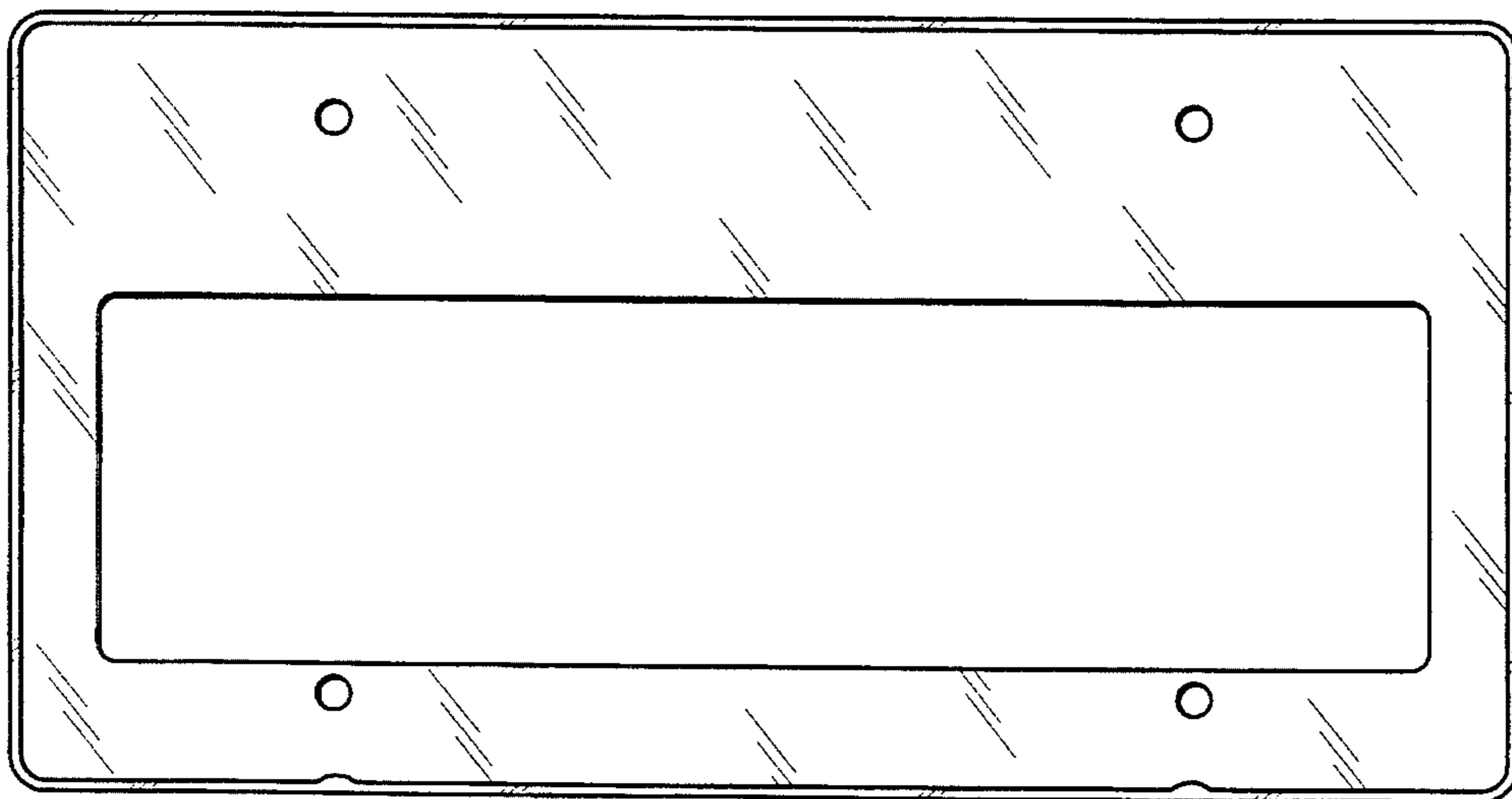


Fig. 5



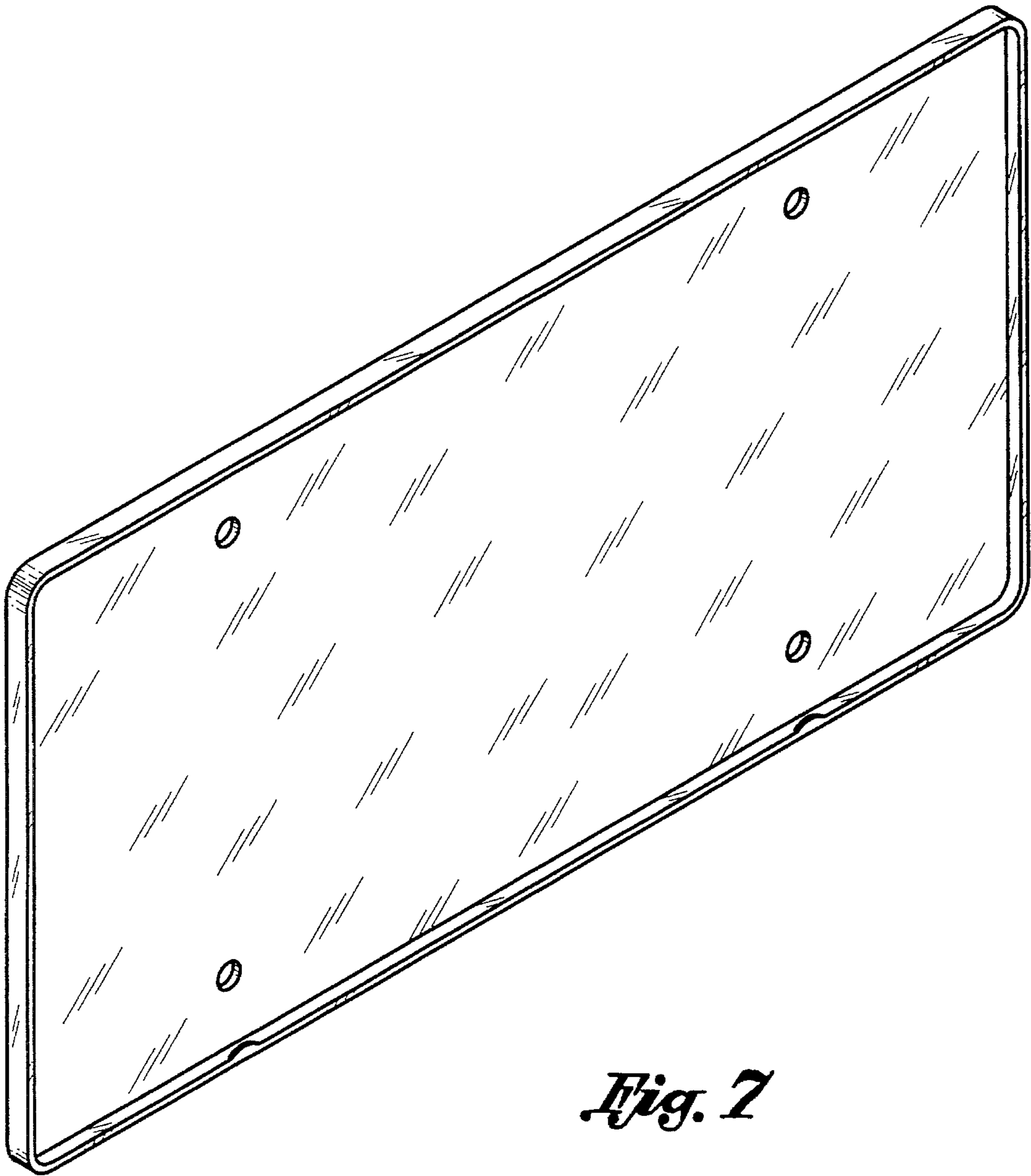


Fig. 2

Fig. 8

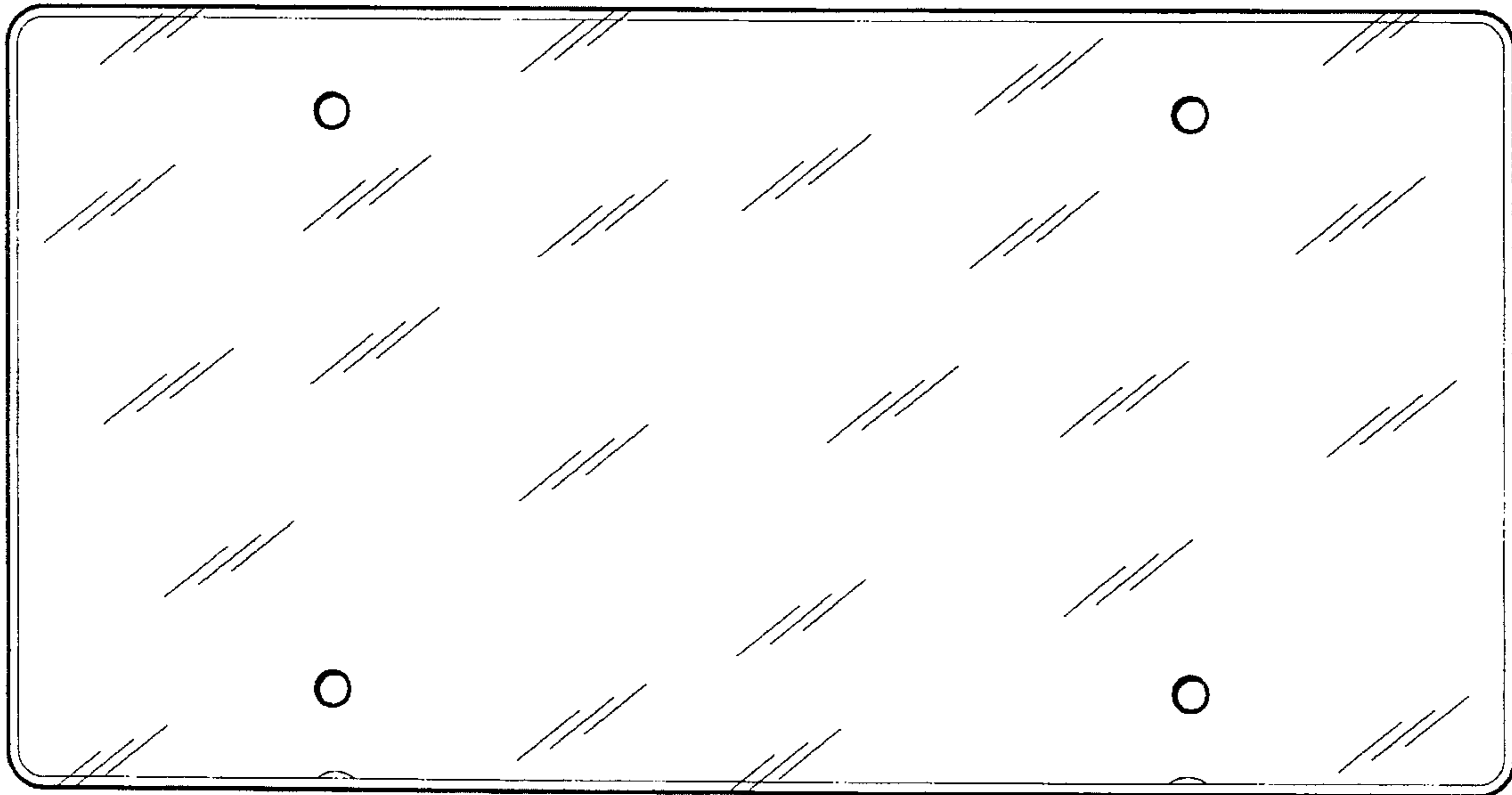


Fig. 9

