



US00D370446S

# United States Patent [19]

Gallagher et al.

[11] Patent Number: Des. 370,446

[45] Date of Patent: \*\*Jun. 4, 1996

[54] TRAILER REAR END SHOCK ABSORBER

4,641,871 2/1987 Vaughn ..... 293/118

[76] Inventors: Charles E. Gallagher; Edith A. Gallagher, both of P.O. Box 924, Springerville, Ariz. 85938

Primary Examiner—Alan P. Douglas  
Assistant Examiner—Cathron B. Matta  
Attorney, Agent, or Firm—Harpman & Harpman

[\*\*] Term: 14 Years

### [57] CLAIM

[21] Appl. No.: 39,151

The ornamental design for a trailer rear end shock absorber, as shown and described.

[22] Filed: May 22, 1995

### DESCRIPTION

[52] U.S. Cl. .... D12/159

[58] Field of Search ..... D12/159; 180/274-277; 293/15, 24, 25, 118, 131, 132, 135, 137, DIG. 1

FIG. 1 is a front, top and side perspective view of the trailer rear end shock absorber embodying the design of the present invention;

FIG. 2 is a front elevational view thereof;

FIG. 3 is a rear elevational view thereof;

FIG. 4 is a side elevational view thereof, the opposite side elevational view being identical thereto;

FIG. 5 is a top plan view thereof; and,

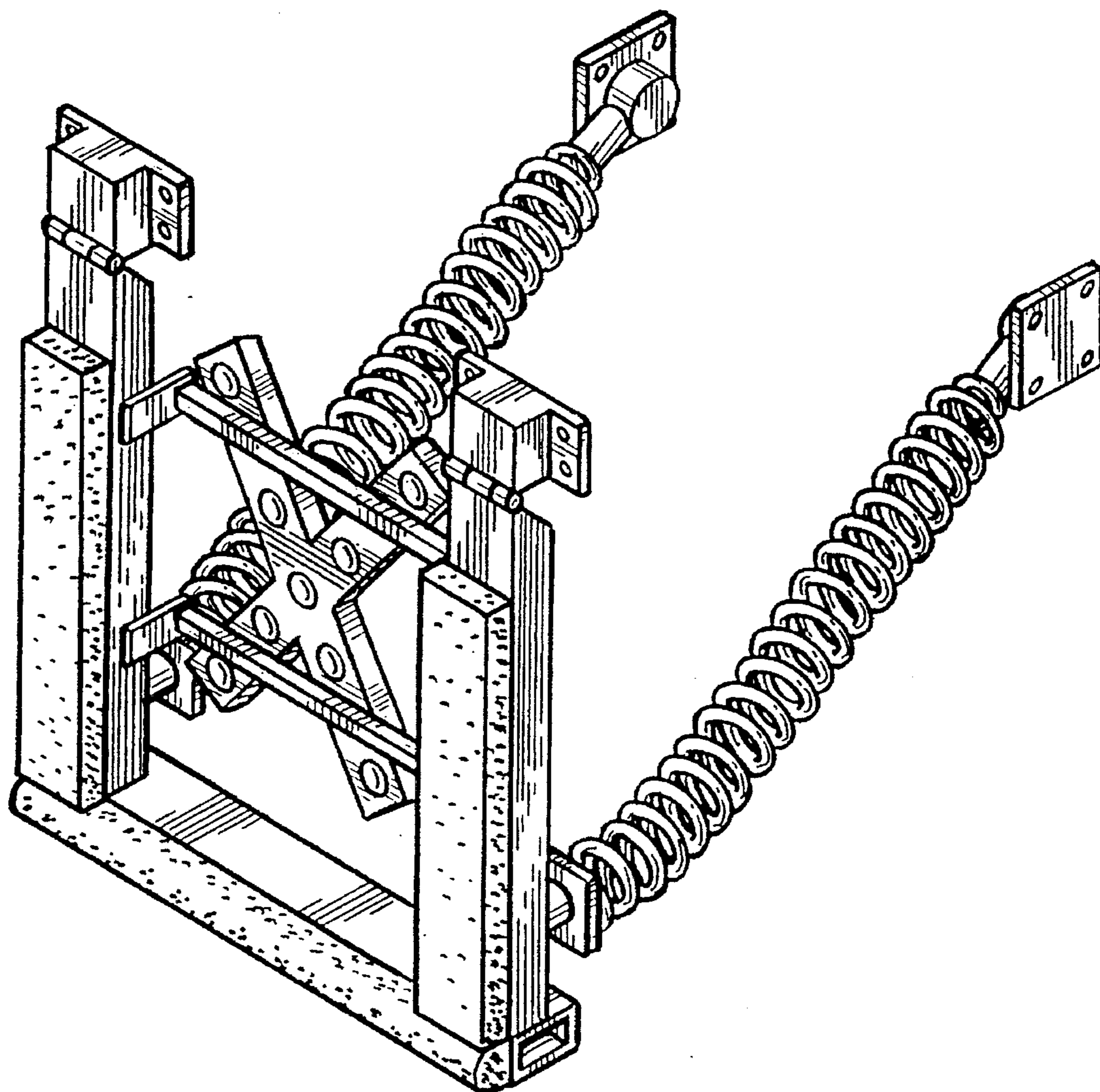
FIG. 6 is a bottom plan view thereof.

### [56] References Cited

#### U.S. PATENT DOCUMENTS

3,871,695	3/1975	Koenig	.....	293/118
3,913,963	10/1975	Persicke	.....	180/274 X
4,207,958	6/1980	Viall, Sr. et al.	.....	180/275 X
4,403,674	9/1983	Viall, Sr. et al.	.....	180/275
4,541,661	9/1985	Hawk	.....	293/117 X

1 Claim, 3 Drawing Sheets



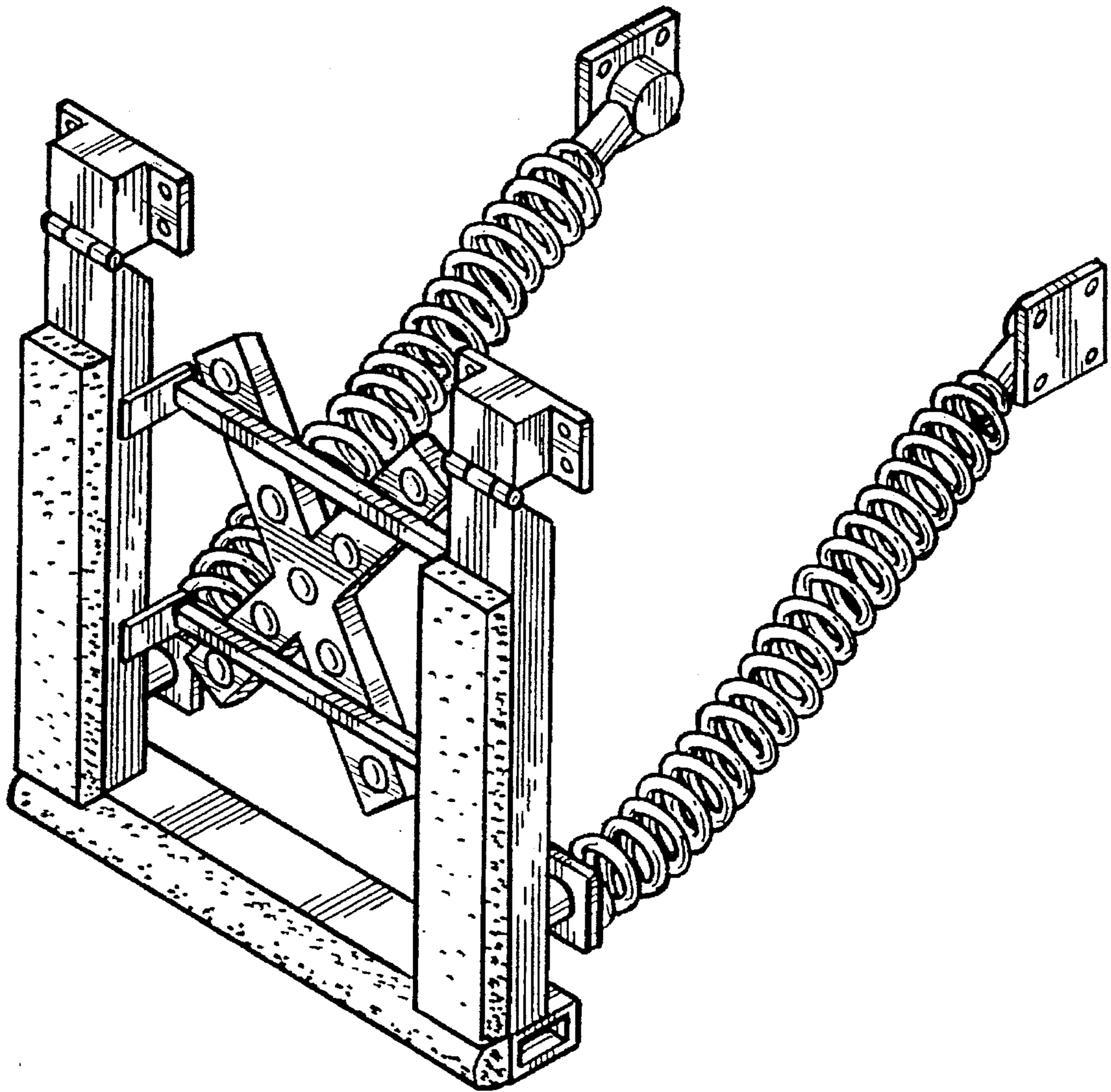


FIG. 1

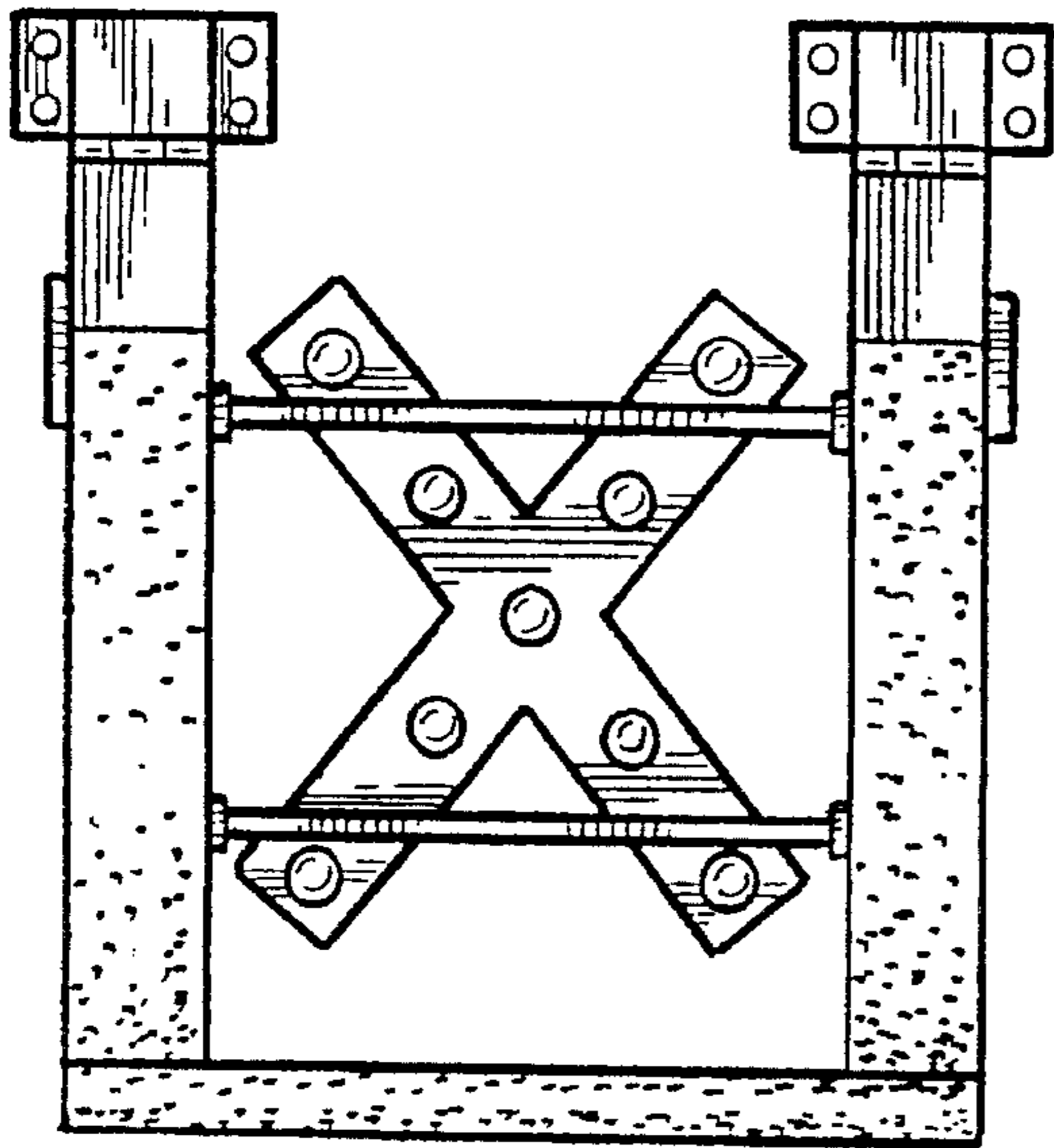


FIG. 2

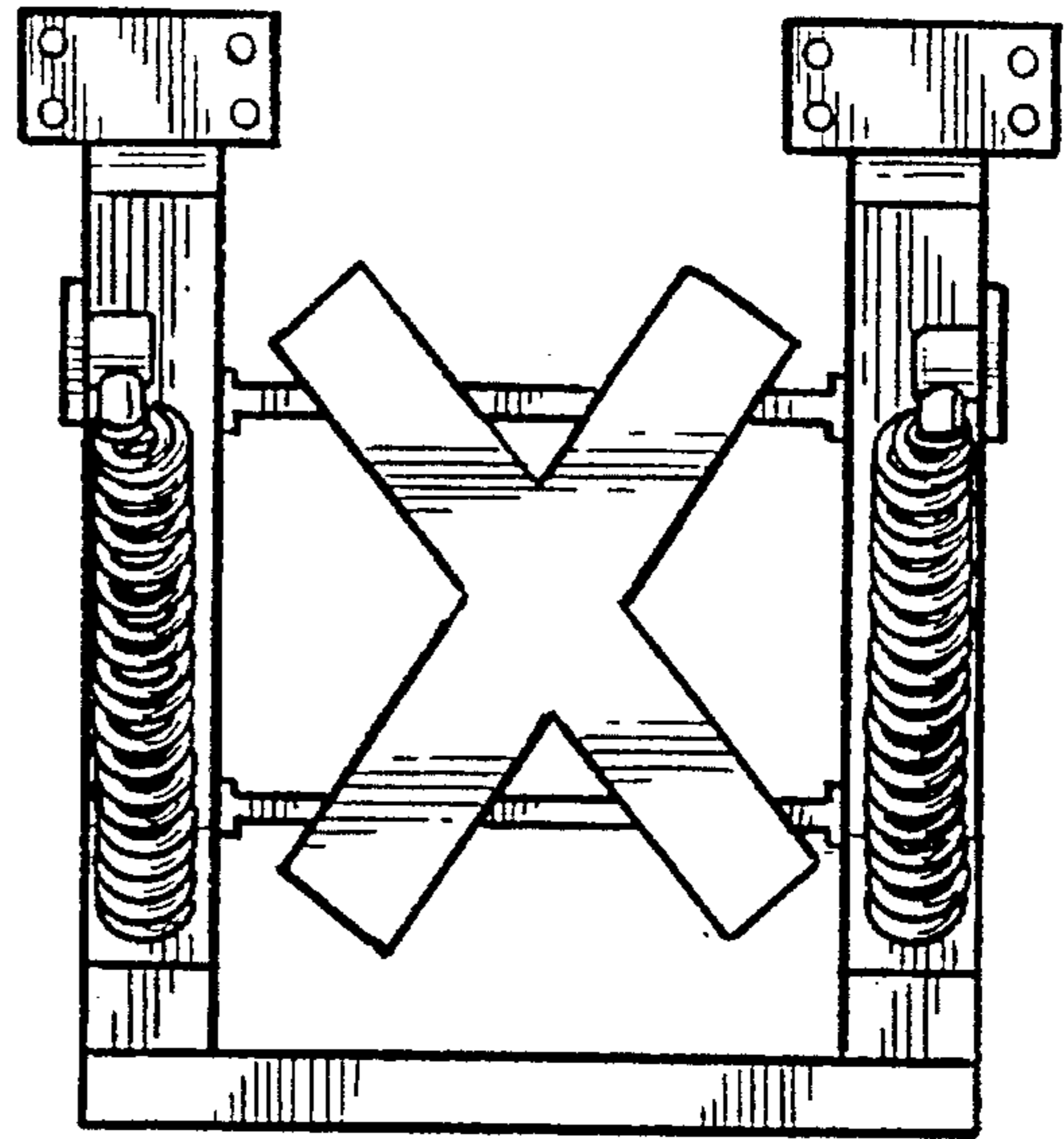


FIG. 3

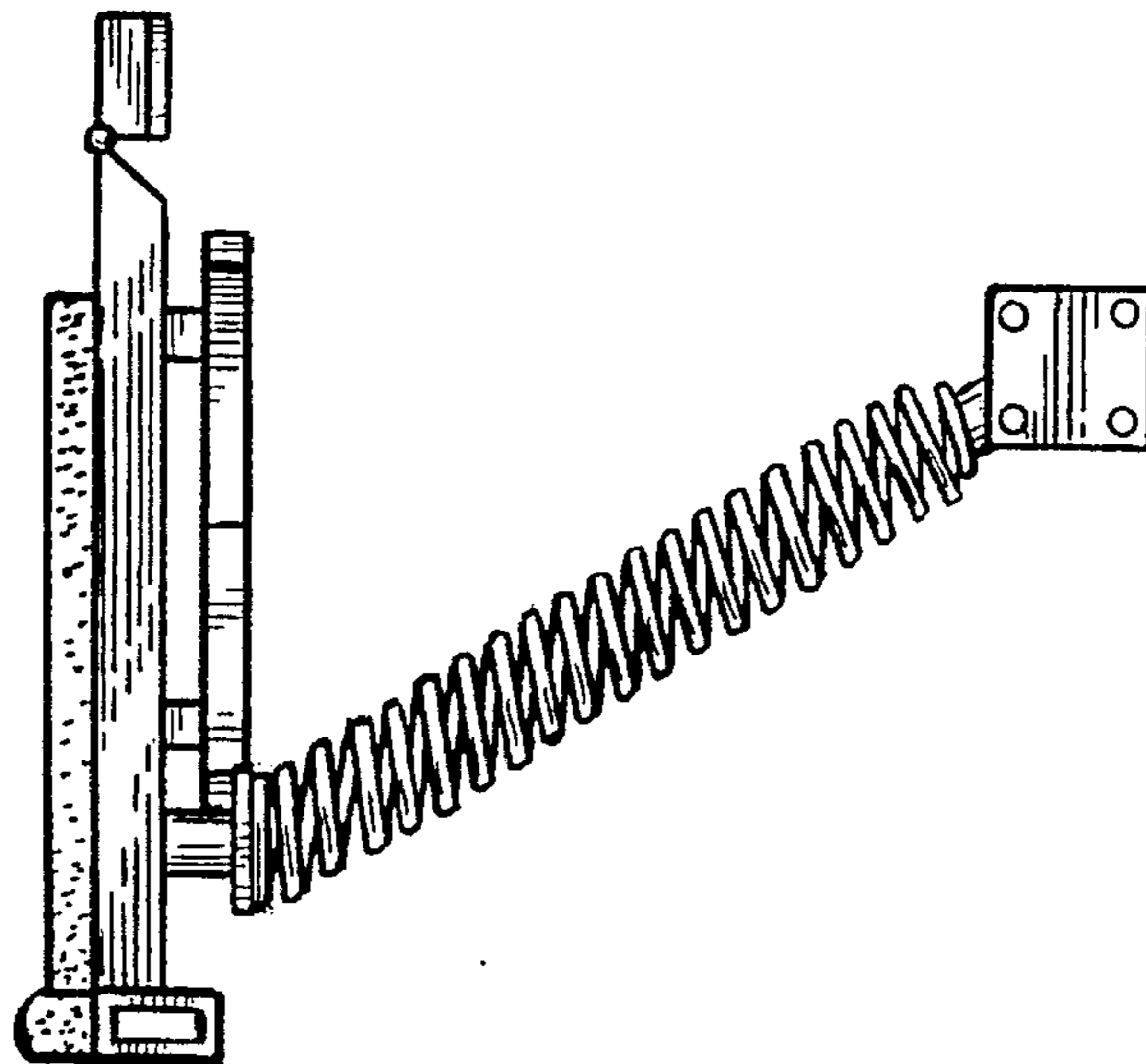


FIG. 4

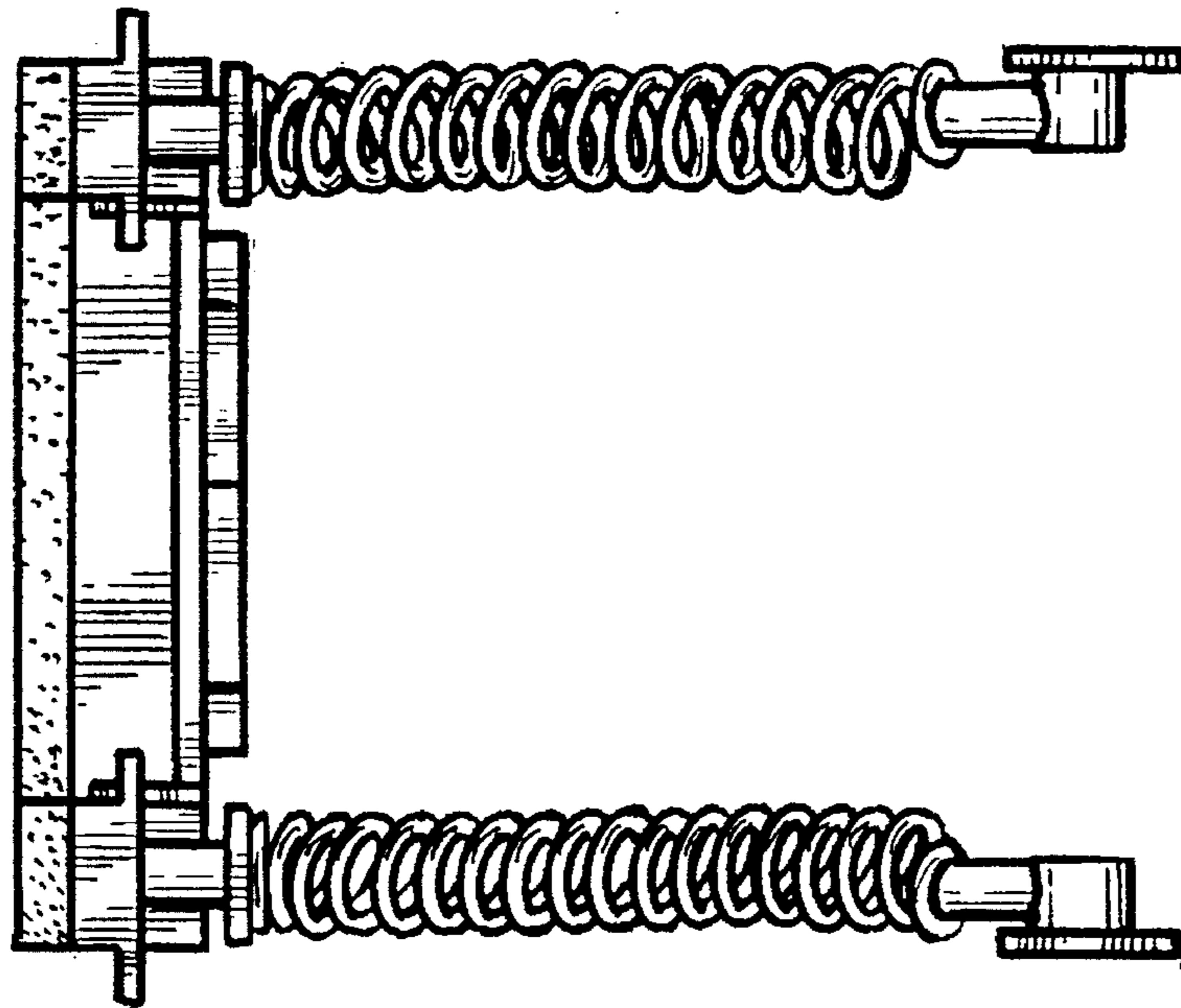


FIG. 5

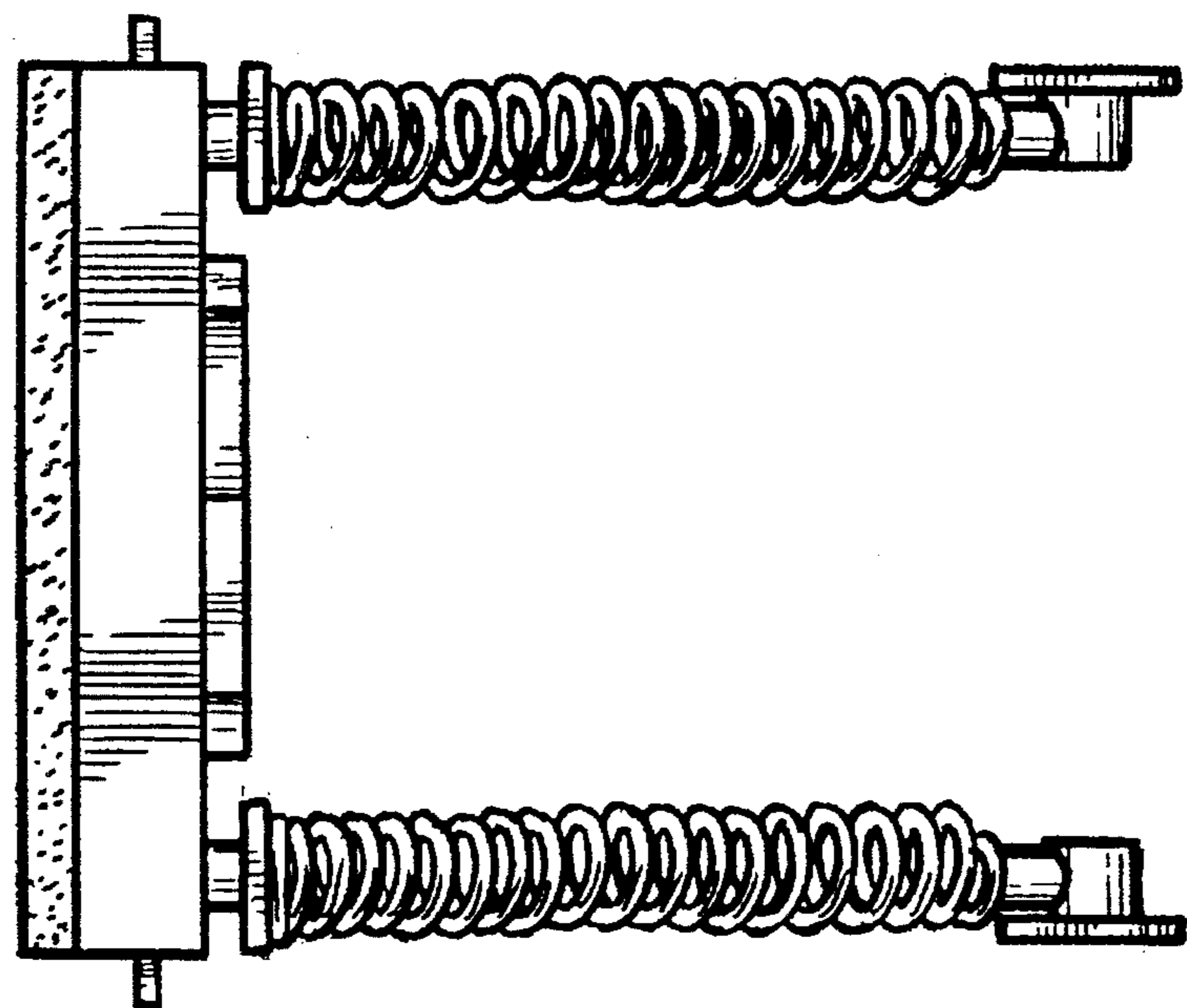


FIG. 6