



US00D370441S

# United States Patent [19]

Guspodin et al.

[11] Patent Number: **Des. 370,441**

[45] Date of Patent: **\*\*Jun. 4, 1996**

## [54] TIRE TREAD

[75] Inventors: **James G. Guspodin**, Akron; **William C. Hanlon**, Medina, both of Ohio

[73] Assignee: **Bridgestone/Firestone, Inc.**, Akron, Ohio

[\*\*] Term: **14 Years**

[21] Appl. No.: **34,089**

[22] Filed: **Jan. 27, 1995**

[52] U.S. Cl. .... **D12/147**

[58] Field of Search ..... **D12/141, 145-148; 152/209 R, 209 D**

## [56] References Cited

### U.S. PATENT DOCUMENTS

D. 313,210	12/1990	Tsutsumi et al. ....	D12/146
D. 316,693	5/1991	Kawabata et al. ....	D12/147
D. 320,969	10/1991	Kobayashi et al. ....	D12/147
D. 331,035	11/1992	Suzuki .....	D12/147
D. 333,452	2/1993	Crano et al. ....	D12/146
D. 336,066	6/1993	Guspopin .....	D12/141
D. 339,776	9/1993	Hayakawa et al. ....	D12/147
D. 352,489	11/1994	Breny et al. ....	D12/147
4,986,324	1/1991	Suzuki et al. ....	152/209 R

## OTHER PUBLICATIONS

1994 Tread Design Guide, p. 52, Remington XT120 2R4 Tire, Second Tire in From Bottom Left Side of Page.

*Primary Examiner*—James M. Gandy  
*Attorney, Agent, or Firm*—Carmen Santa Maria

## [57] CLAIM

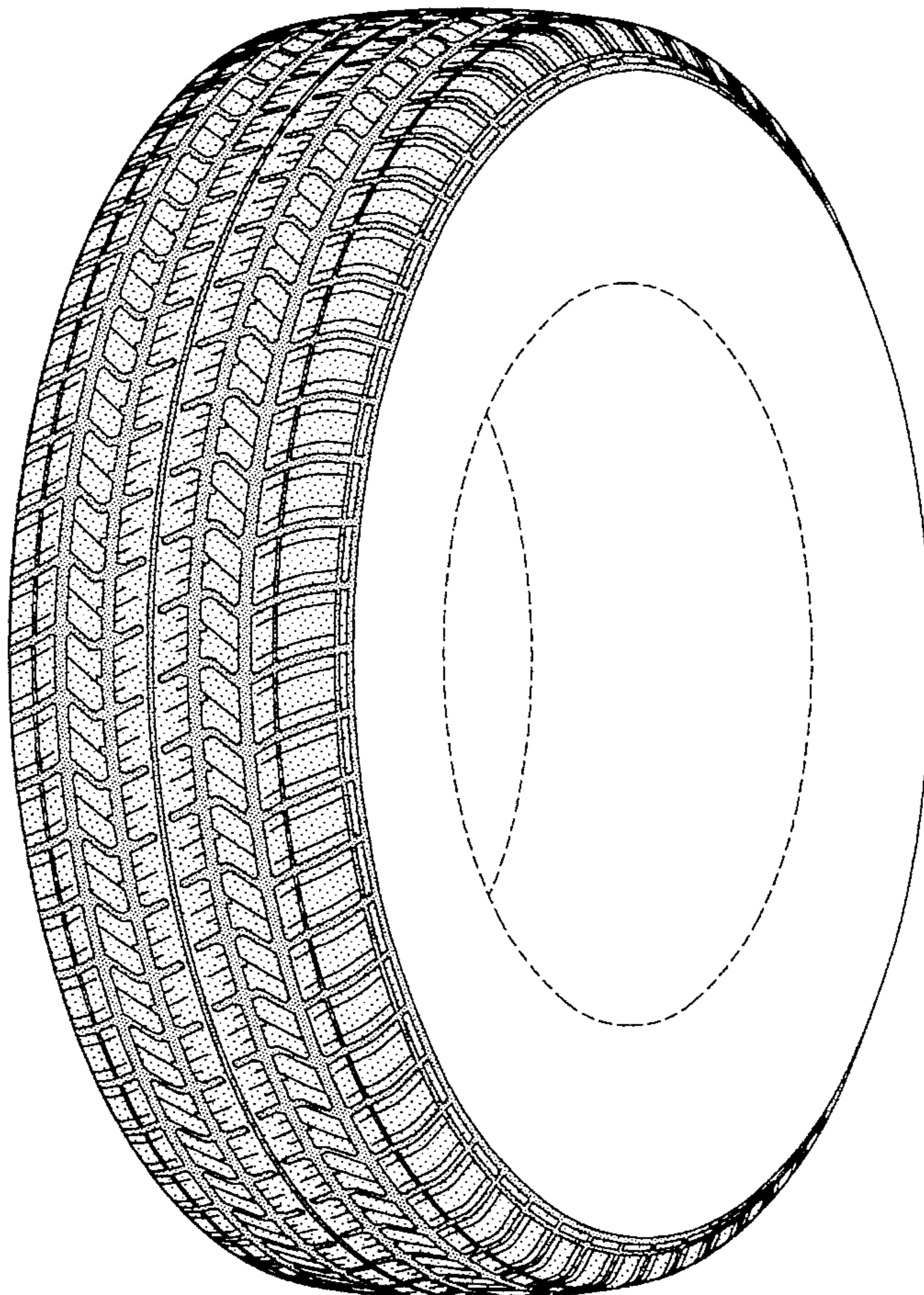
The ornamental design for a tire tread, as shown and described.

## DESCRIPTION

FIG. 1 is a side perspective view of a tire tread showing our new design, it being understood that the tread pattern is repeated throughout the circumference of the tire tread, the opposite side being substantially the same as that shown; FIG. 2 is a front elevational view thereof; FIG. 3 is a side elevational view of the right side thereof, the opposite side being a mirror image thereof; and, FIG. 4 is an enlarged fragmentary front elevational view thereof.

The broken line showing of the tire sidewall in the drawing is for illustrative purposes only and forms no part of the claimed design.

**1 Claim, 4 Drawing Sheets**



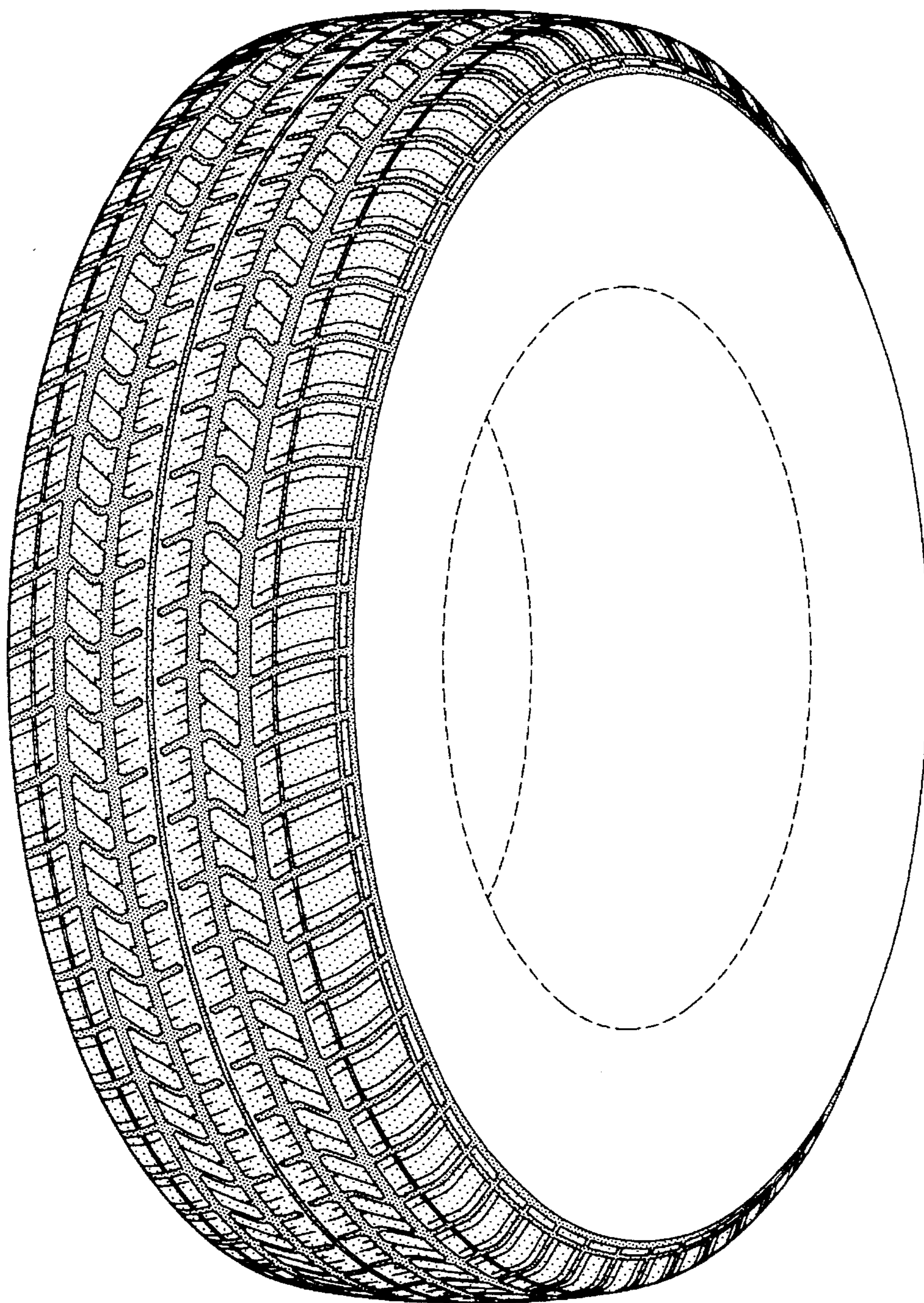


FIG-1

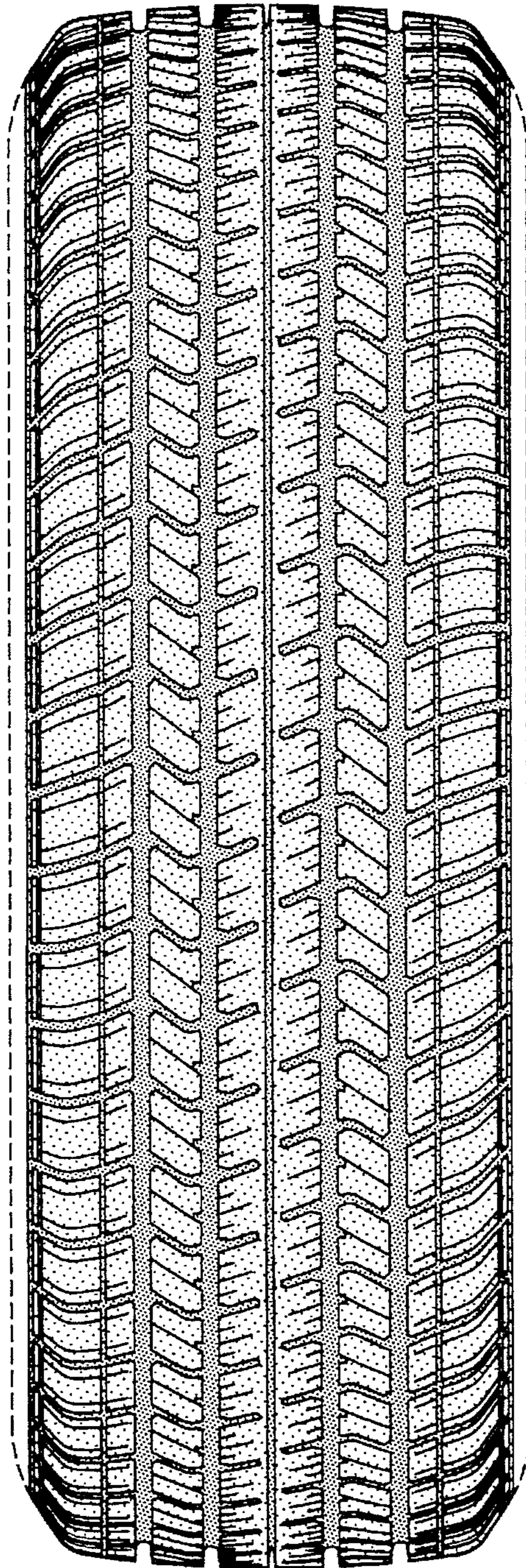


FIG-2

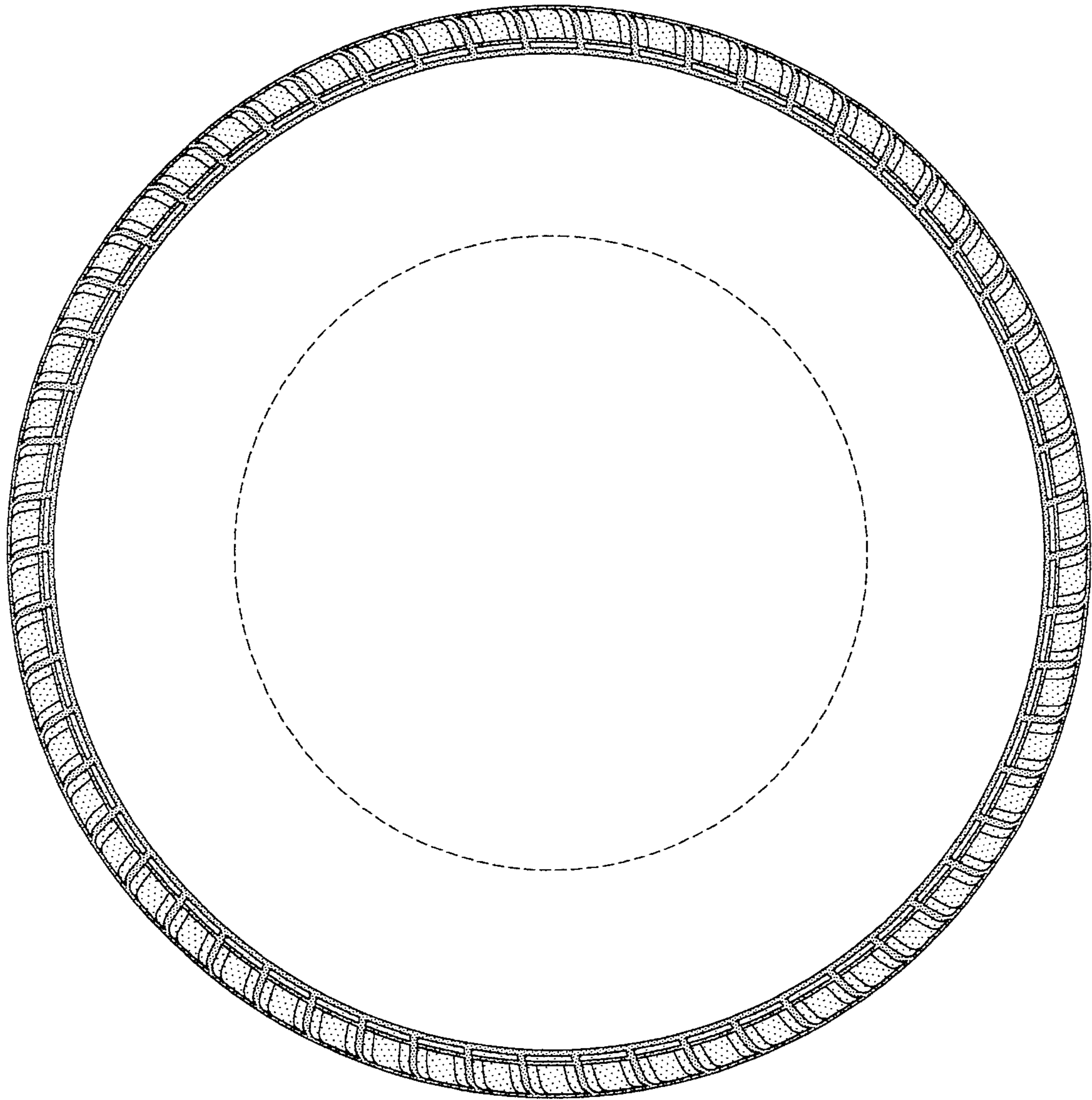


FIG-3

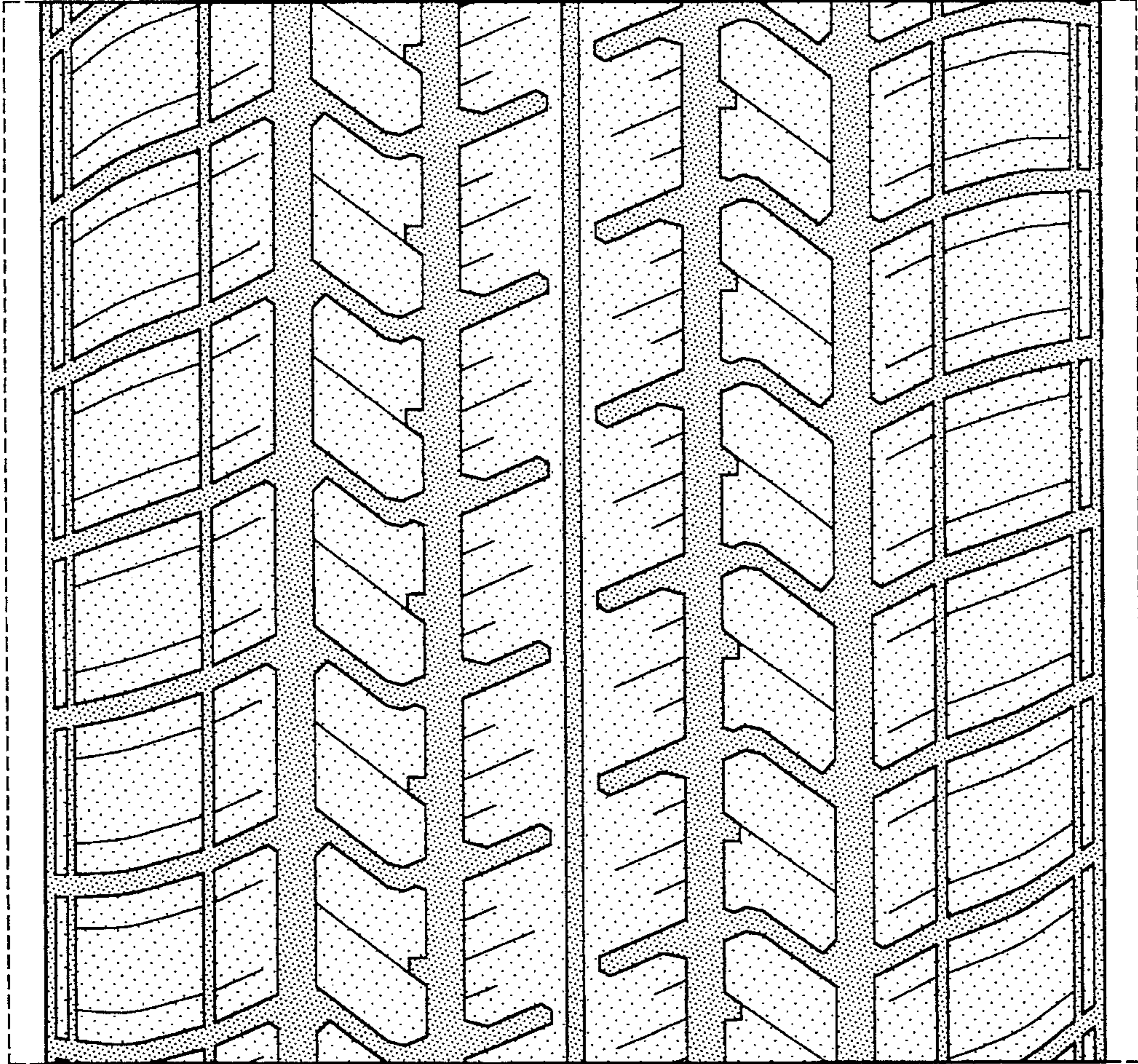


FIG-4