



US00D370437S

United States Patent [19]

[11] Patent Number: **Des. 370,437**

Siesholtz et al.

[45] Date of Patent: ****Jun. 4, 1996**

[54] **TANDEM STROLLER**

D. 328,047 7/1992 Huang D12/129
5,167,425 12/1992 Chen 280/643

[75] Inventors: **Devon Siesholtz**, Boyertown; **James Sack**, Elverson; **Glenn Gehr**, East Earl, all of Pa.

Primary Examiner—Kay H. Chin
Attorney, Agent, or Firm—Pennie & Edmonds

[73] Assignee: **Graco Children's Products, Inc.**, Elverson, Pa.

[57] **CLAIM**

[**] Term: **14 Years**

The ornamental design for a tandem stroller, as shown and described.

[21] Appl. No.: **30,158**

DESCRIPTION

[22] Filed: **Nov. 4, 1994**

FIG. 1 is a front right perspective view of a tandem stroller showing our new design;

[52] U.S. Cl. **D12/129**

FIG. 2 is a front view thereof;

[58] Field of Search D12/128, 129;
280/643, 644, 658, 42

FIG. 3 is a right side view thereof, the left side view being substantially a mirror image of the right side view;

[56] **References Cited**

U.S. PATENT DOCUMENTS

D. 311,363 10/1990 Lin D12/129
D. 321,850 11/1991 Mong-Hsing D12/129

FIG. 4 is a rear right perspective view of thereof;

FIG. 5 is a top view thereof; and,

FIG. 6 is a bottom view thereof.

1 Claim, 5 Drawing Sheets



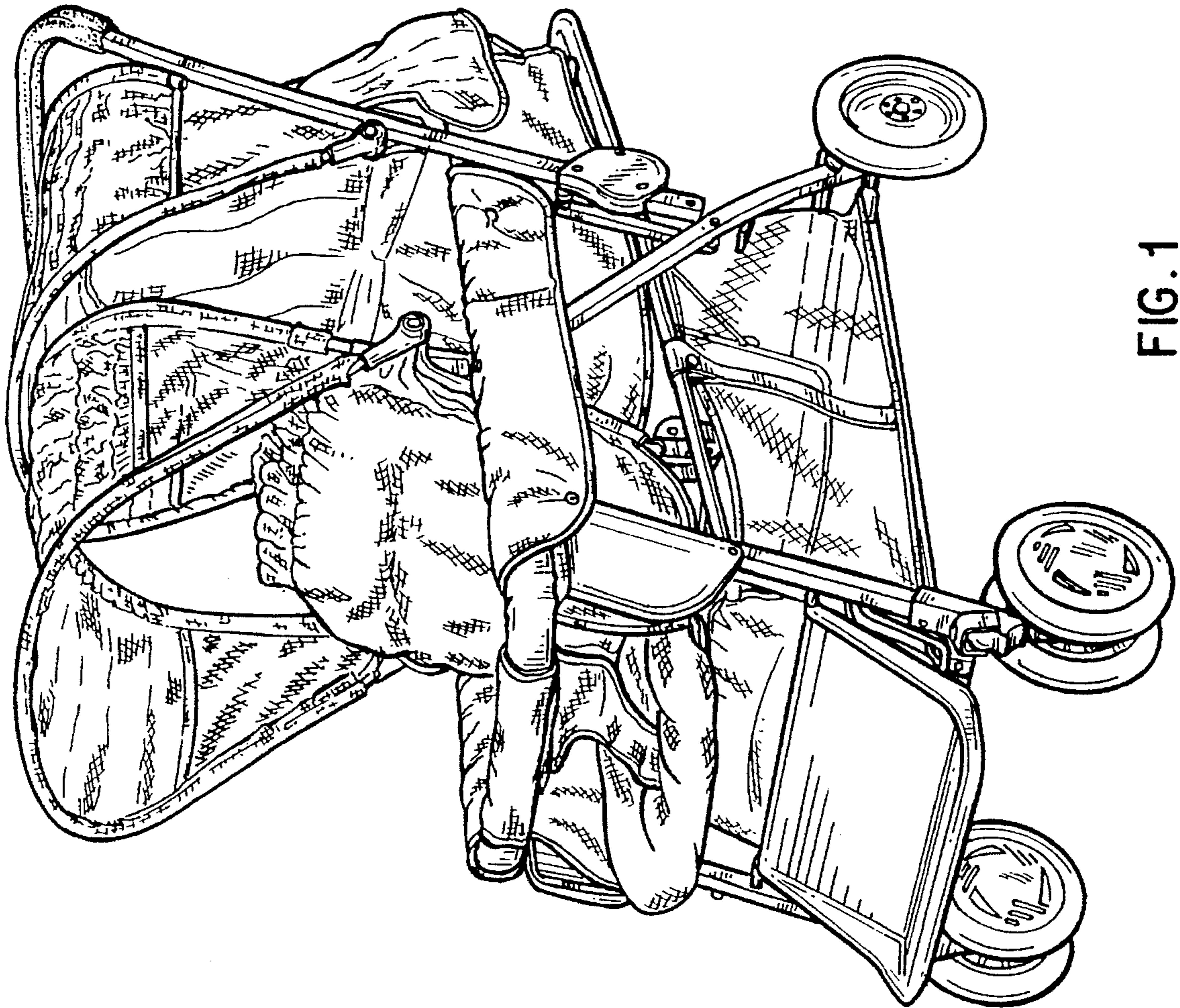


FIG. 1

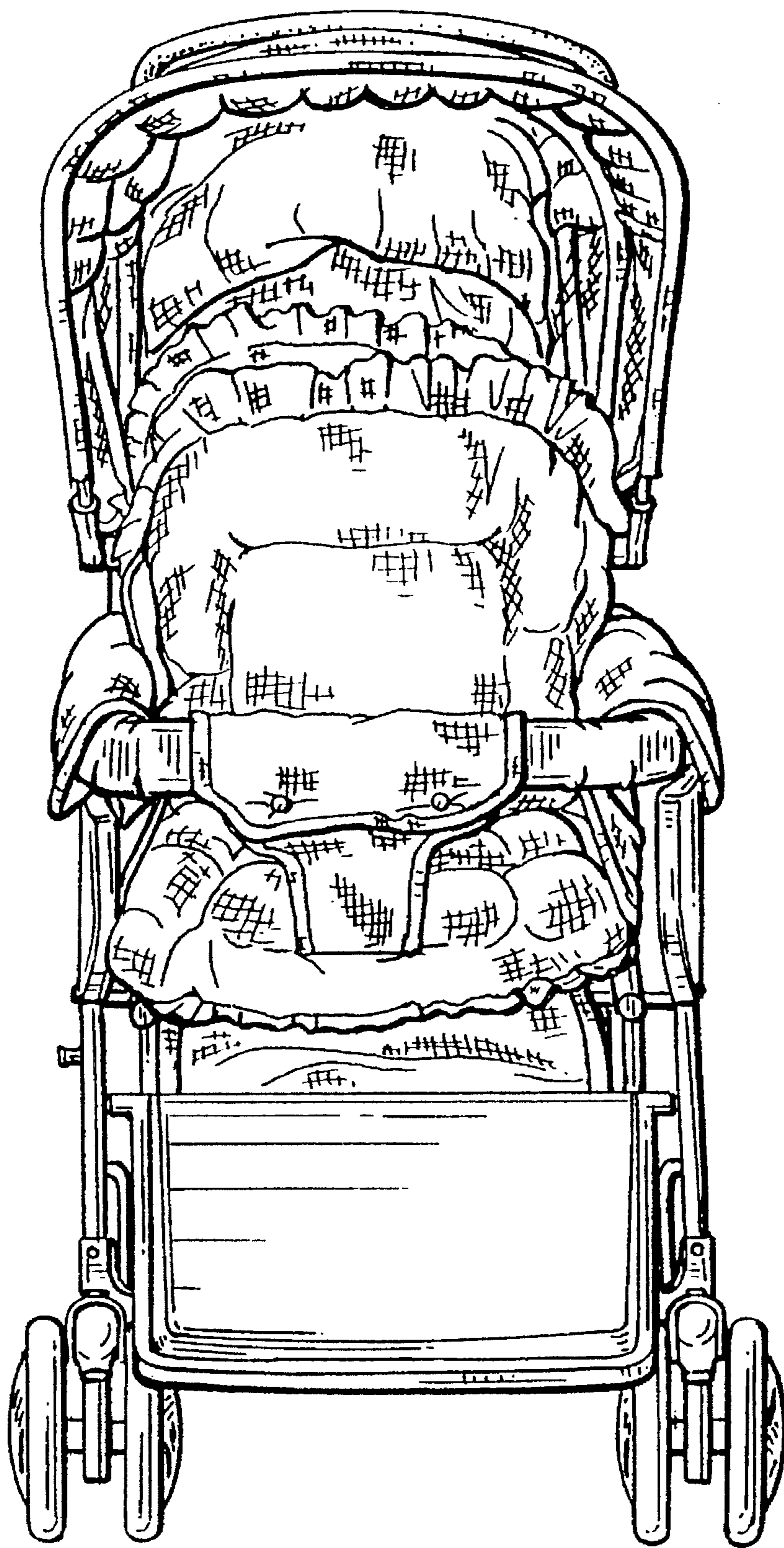


FIG. 2

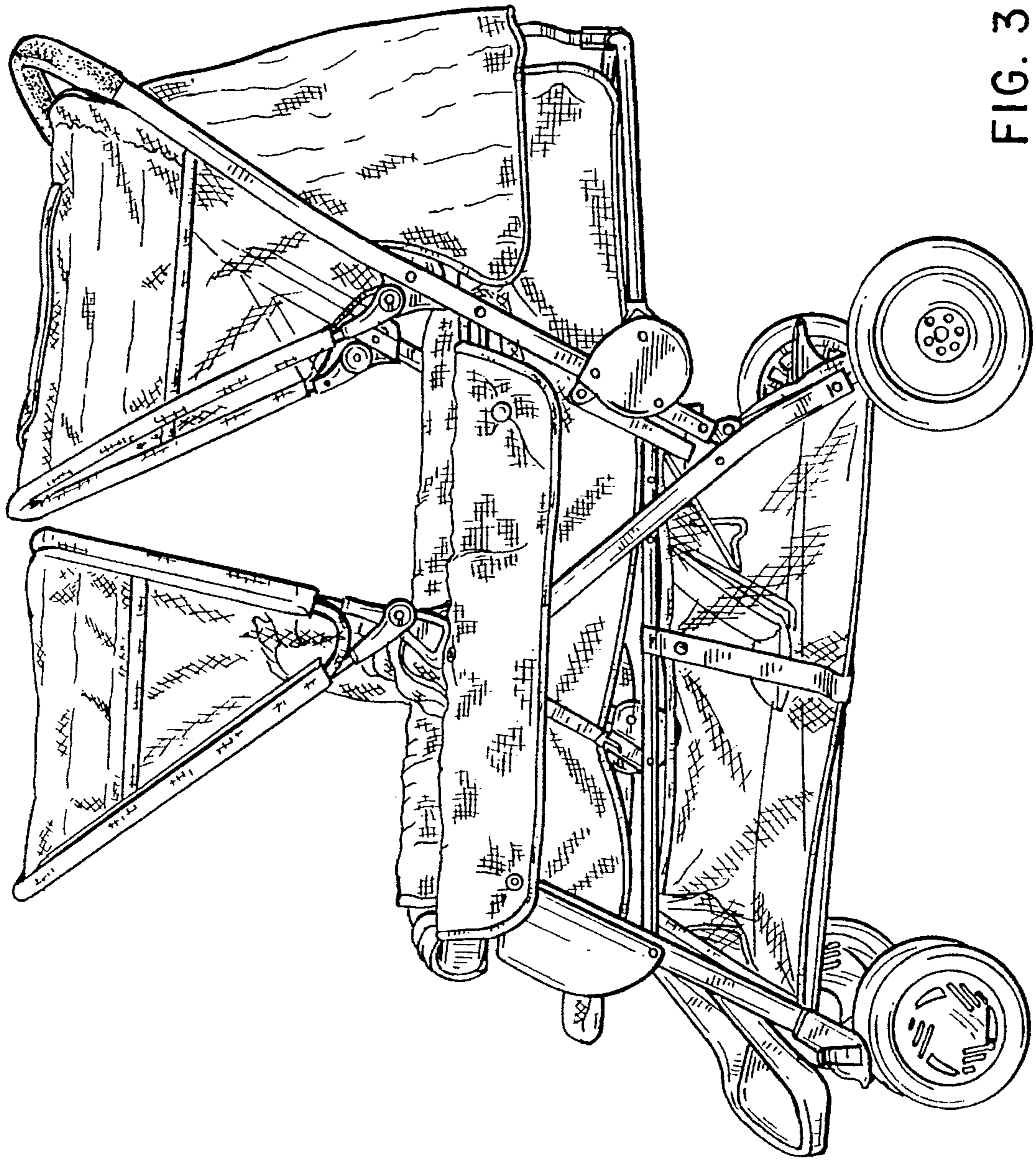


FIG. 3

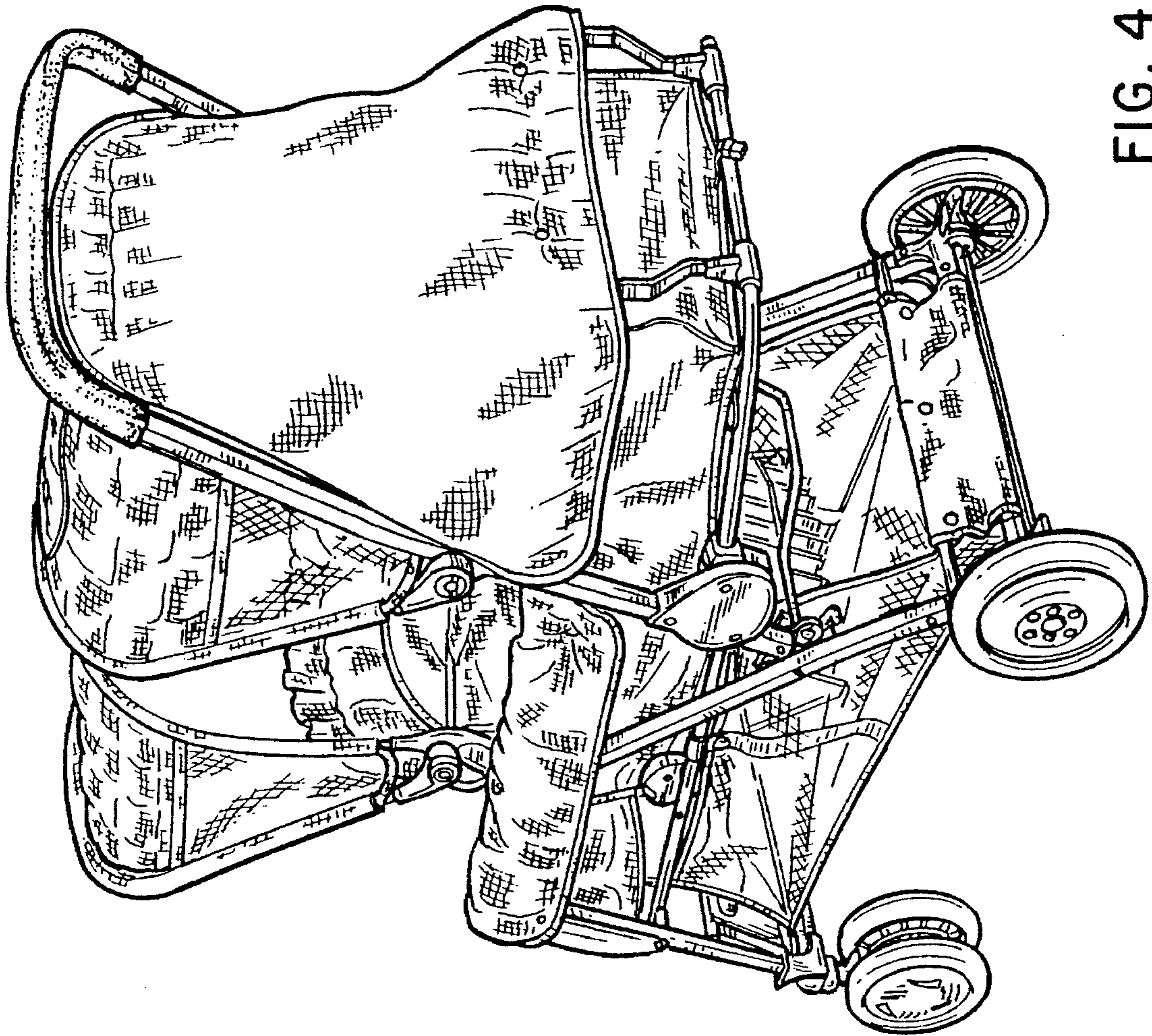


FIG. 4

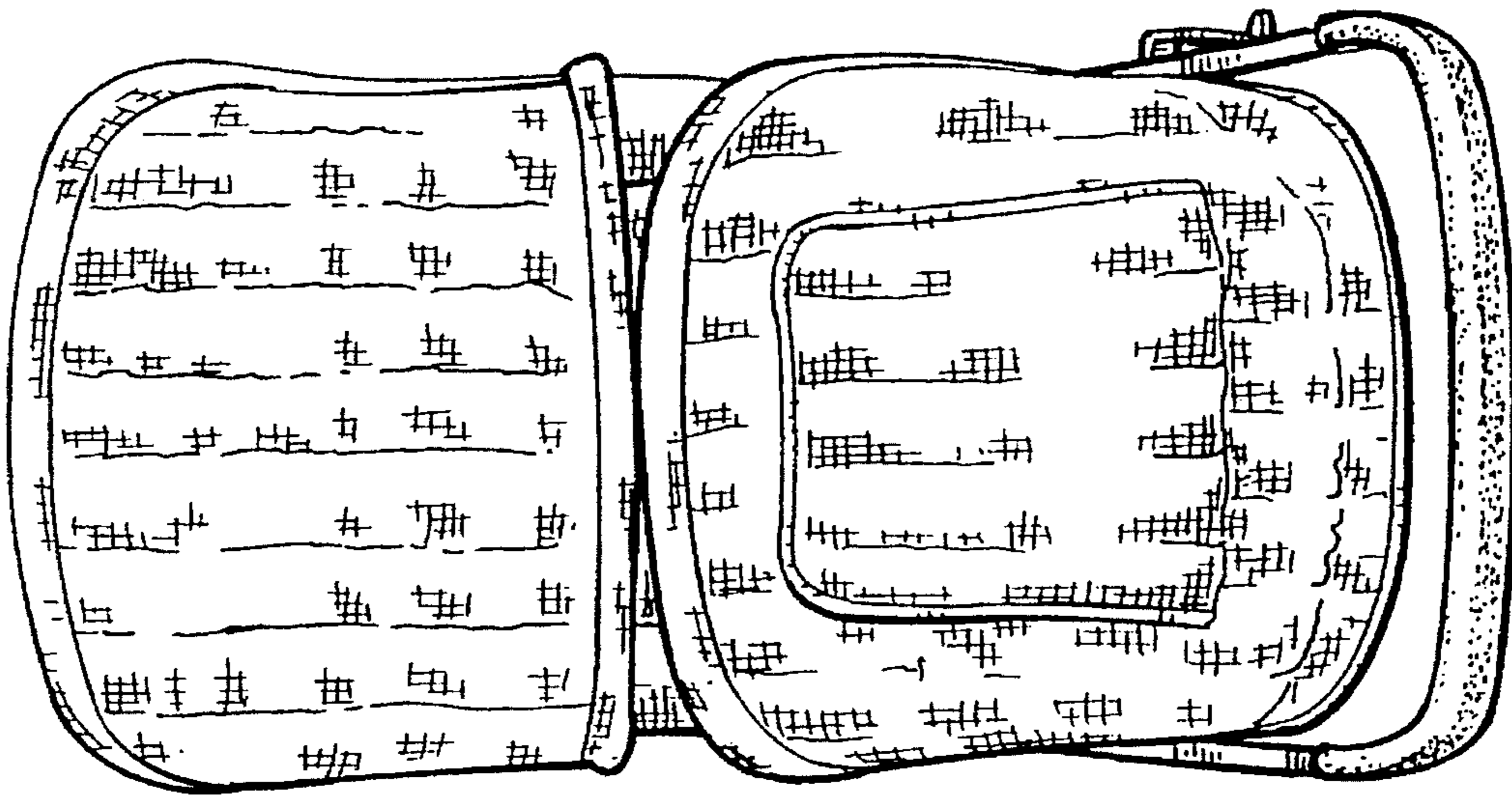


FIG. 5

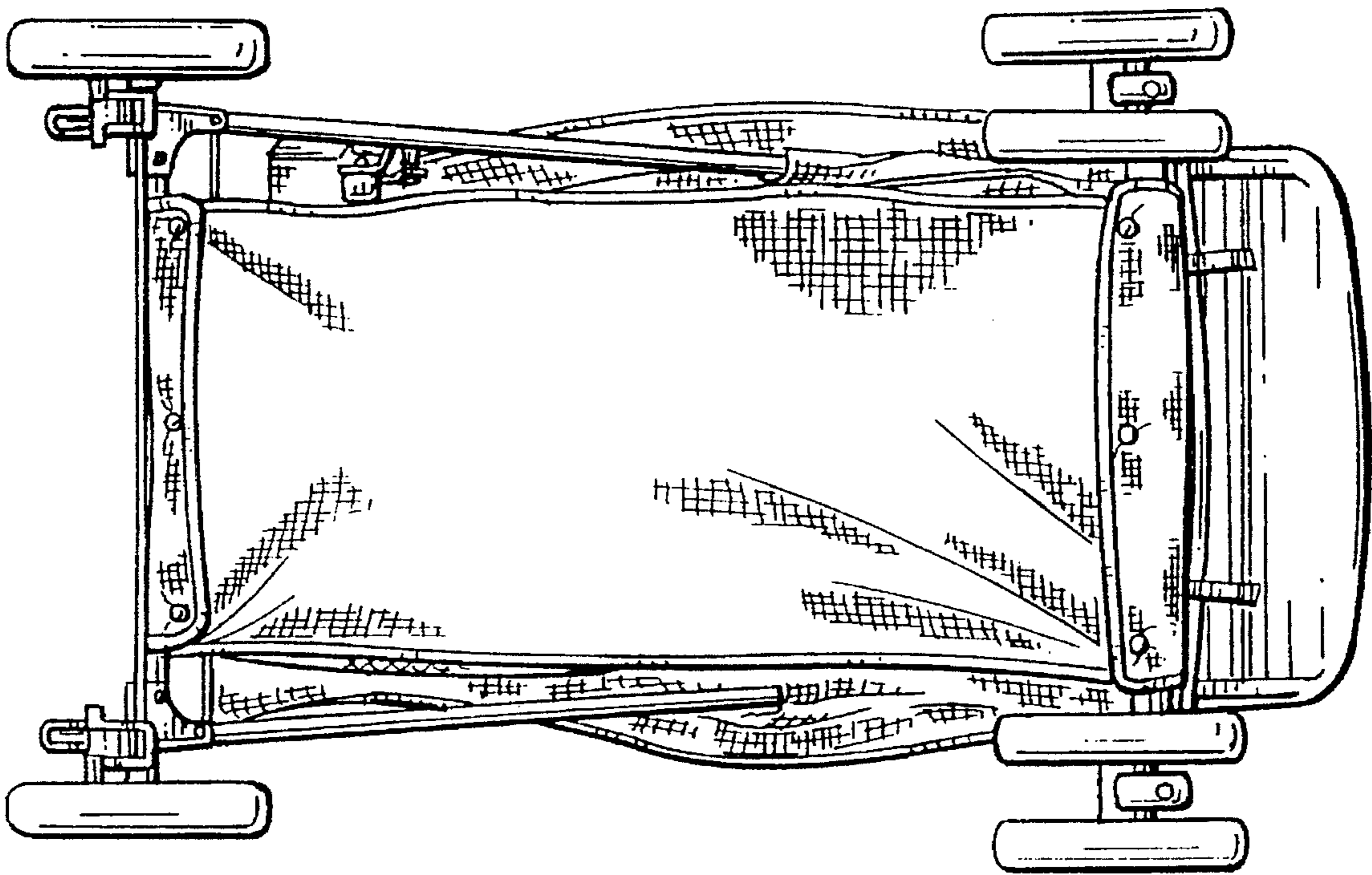


FIG. 6