



US00D370436S

United States Patent [19]

Warren et al.

[11] Patent Number: **Des. 370,436**

[45] Date of Patent: ****Jun. 4, 1996**

[54] **BICYCLE FRAME**

5,354,085 10/1994 Gally 280/284

[75] Inventors: **Scott Warren**, Little Rock; **Dean Fagaly**, Maumelle, both of Ark.

Primary Examiner—Melody N. Brown
Attorney, Agent, or Firm—Mark Rogers; Ray F. Cox, Jr.

[73] Assignee: **King Cycles, Inc.**, Little Rock, Ark.

[57] **CLAIM**

[**] Term: **14 Years**

The ornamental design for a bicycle frame, as shown and described.

[21] Appl. No.: **42,201**

DESCRIPTION

[22] Filed: **Aug. 3, 1995**

[52] U.S. Cl. **D12/111**

[58] Field of Search D12/111; 280/281.1, 280/288.1, 288.2, 288.3, 284

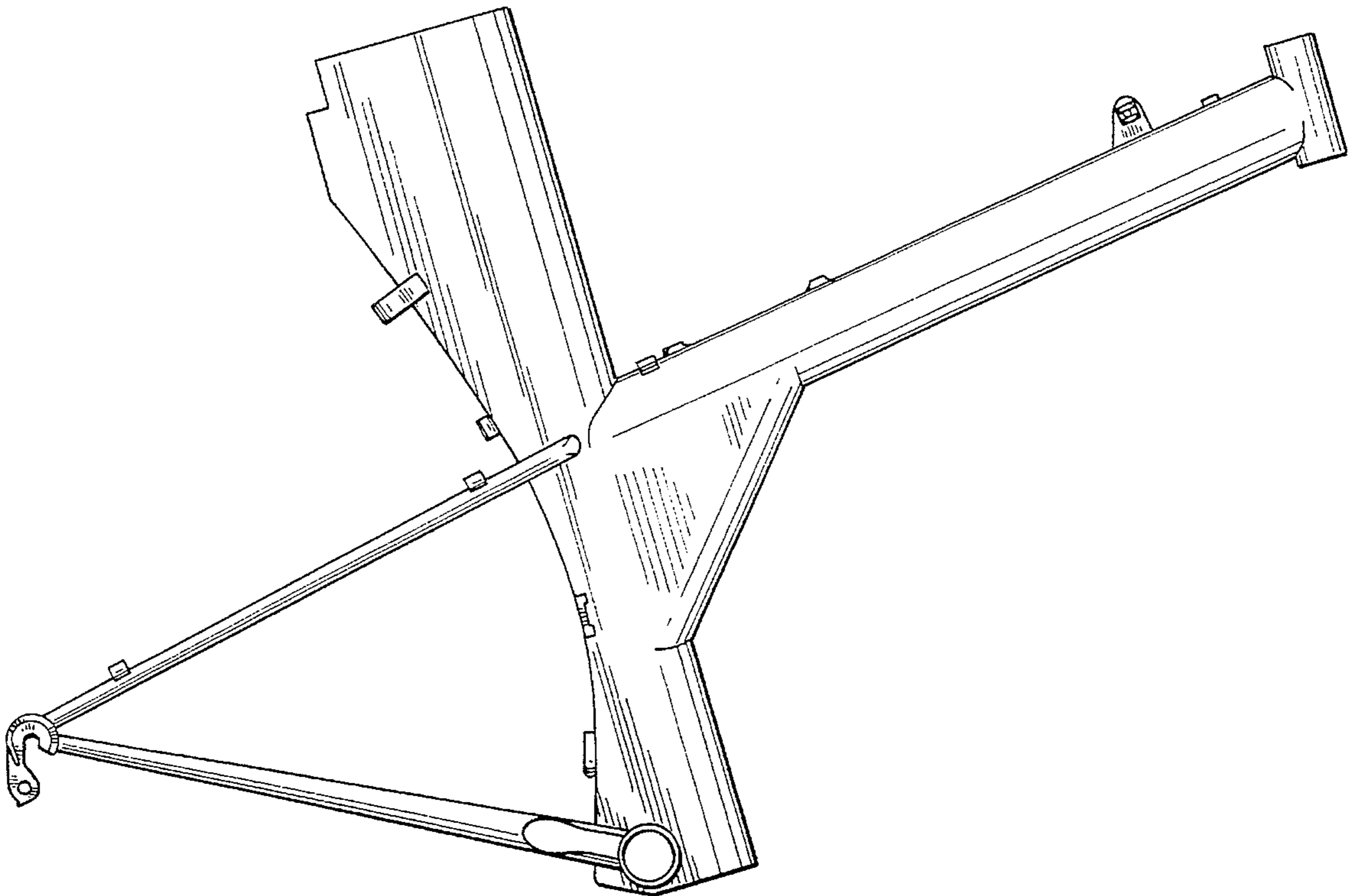
FIG. 1 is a side elevational view of the bicycle frame showing our new design, taken from the right side thereof; FIG. 2 is a front elevational view thereof; FIG. 3 is a side elevational view taken from the left side thereof; FIG. 4 is a rear elevational view thereof; FIG. 5 is a top plan view thereof; and, FIG. 6 is a bottom plan view thereof.

[56] **References Cited**

U.S. PATENT DOCUMENTS

- D. 321,156 10/1991 Browning D12/111
- D. 331,376 12/1992 Sewell D12/111
- D. 335,640 5/1993 Gasiorowski D12/111

1 Claim, 3 Drawing Sheets



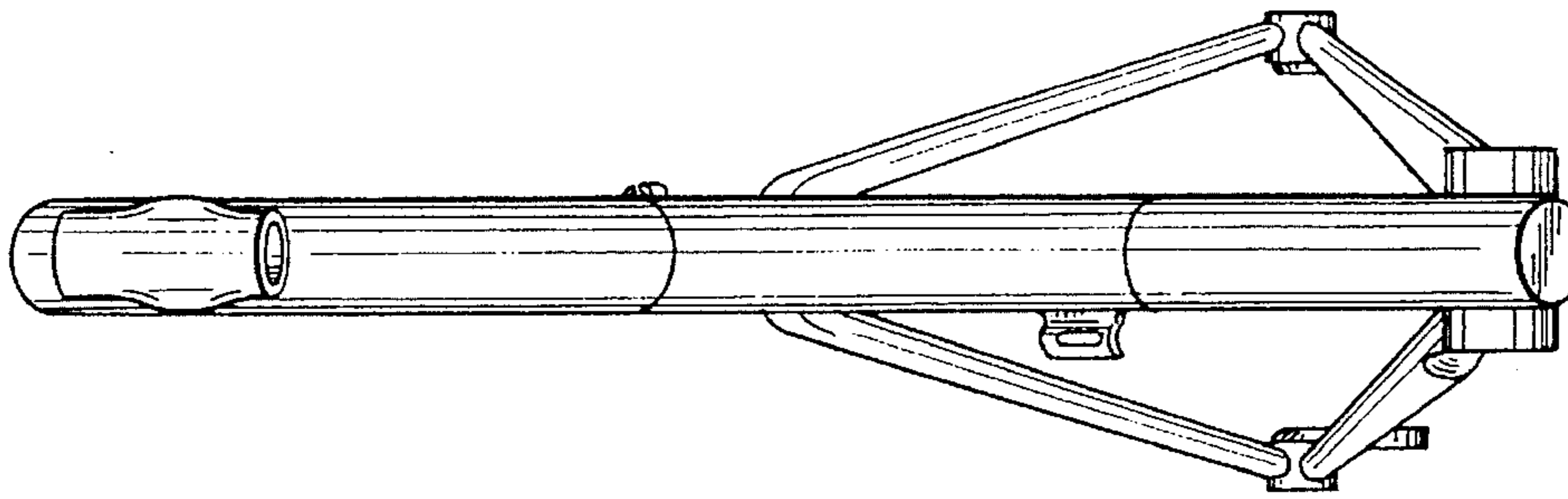


FIG. 2

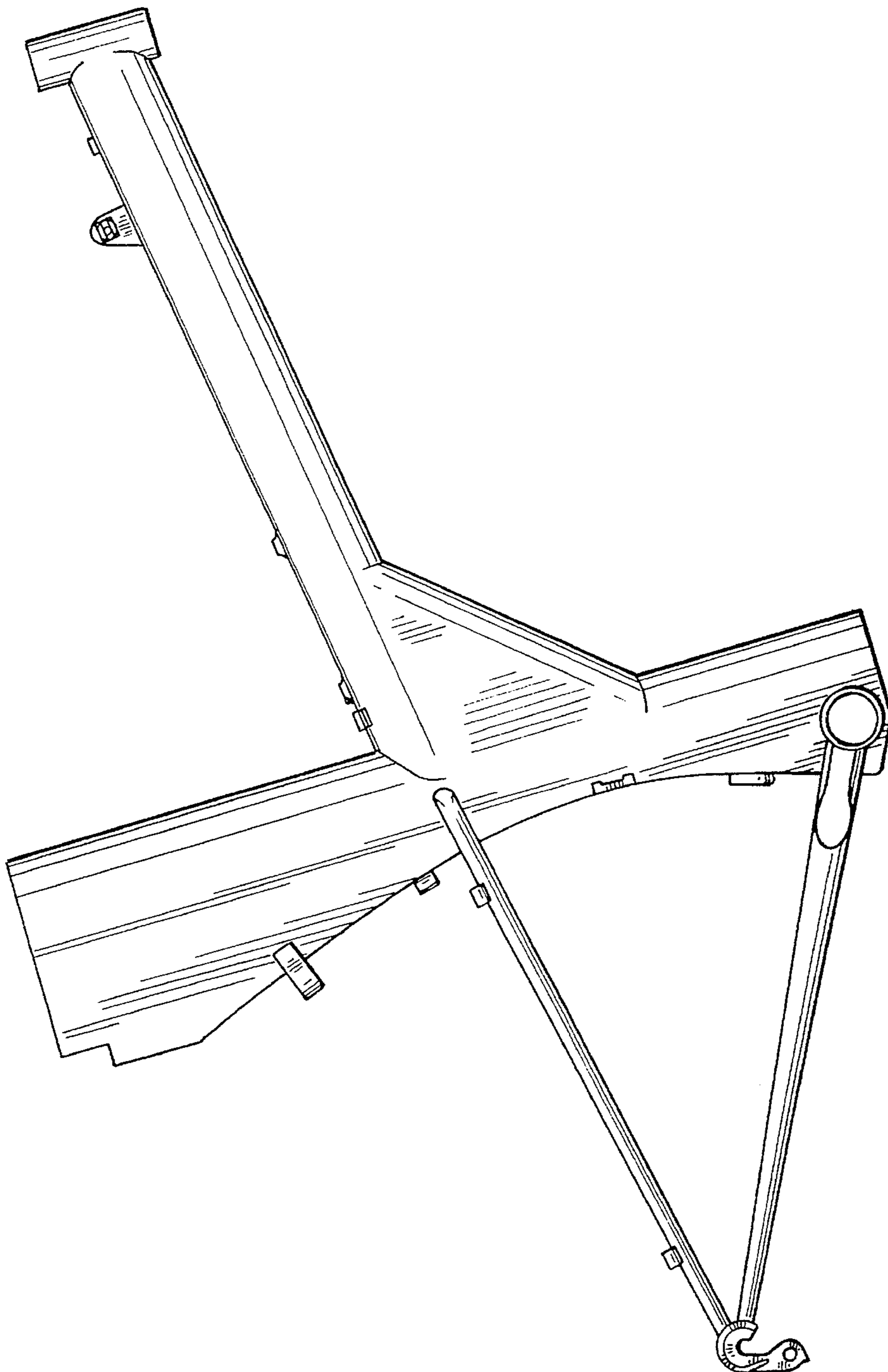


FIG. 1

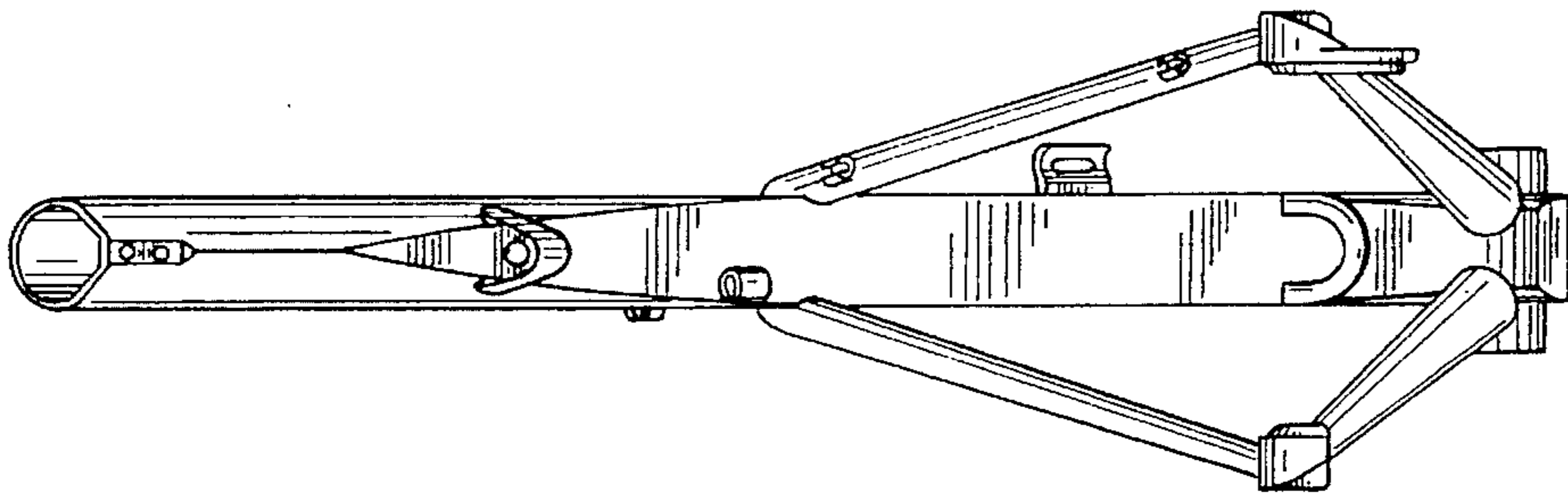


FIG. 4

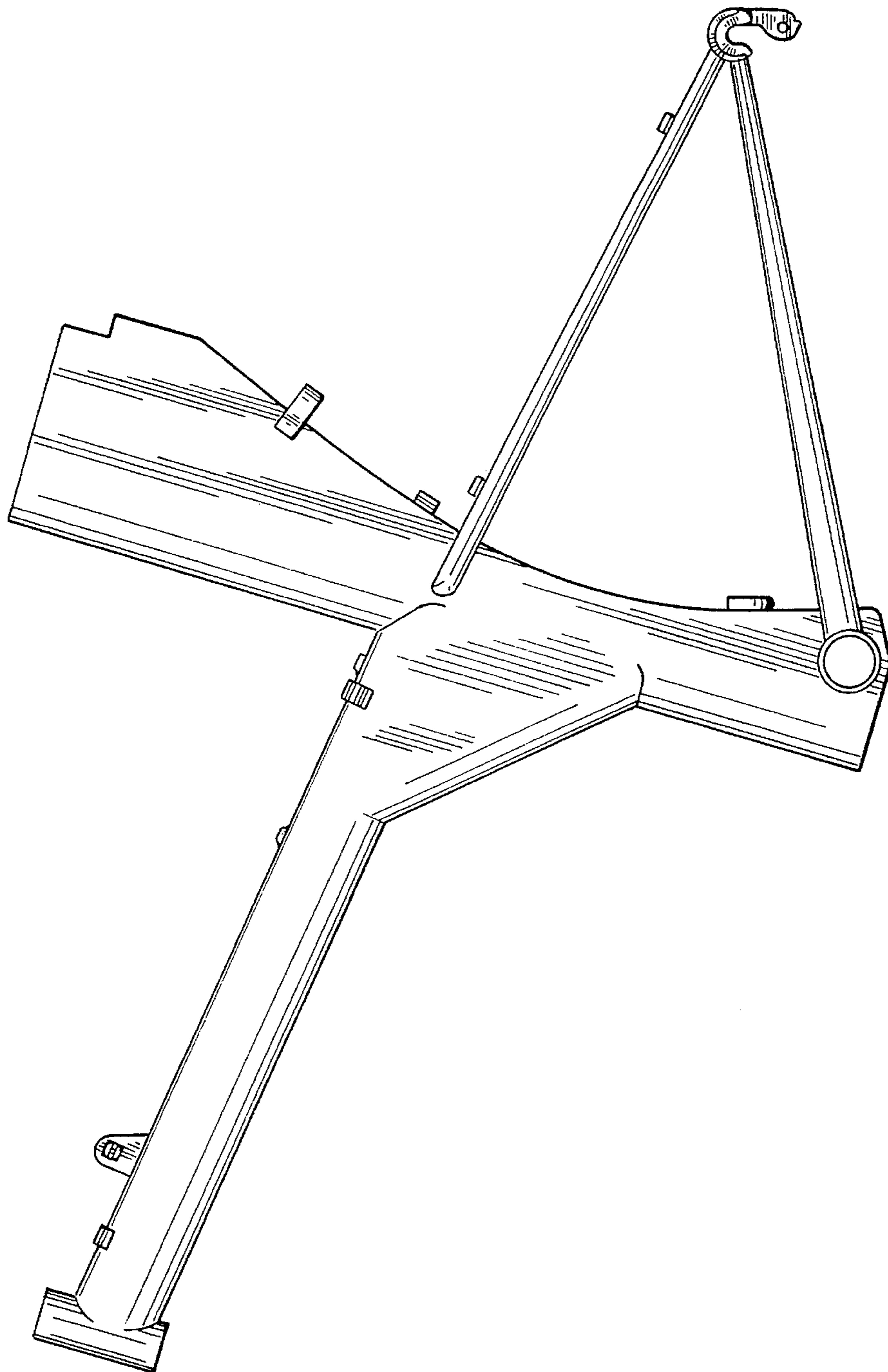


FIG. 3

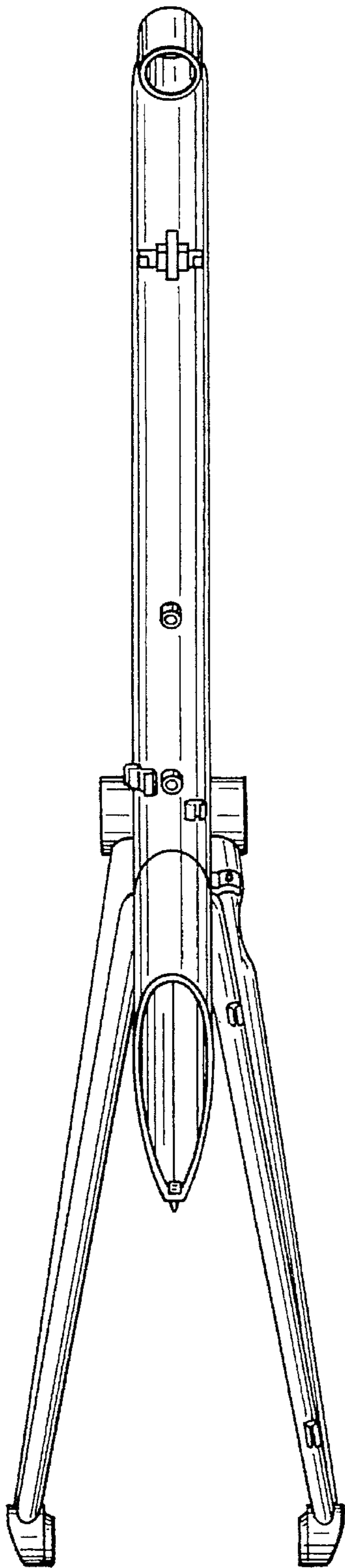


FIG. 5

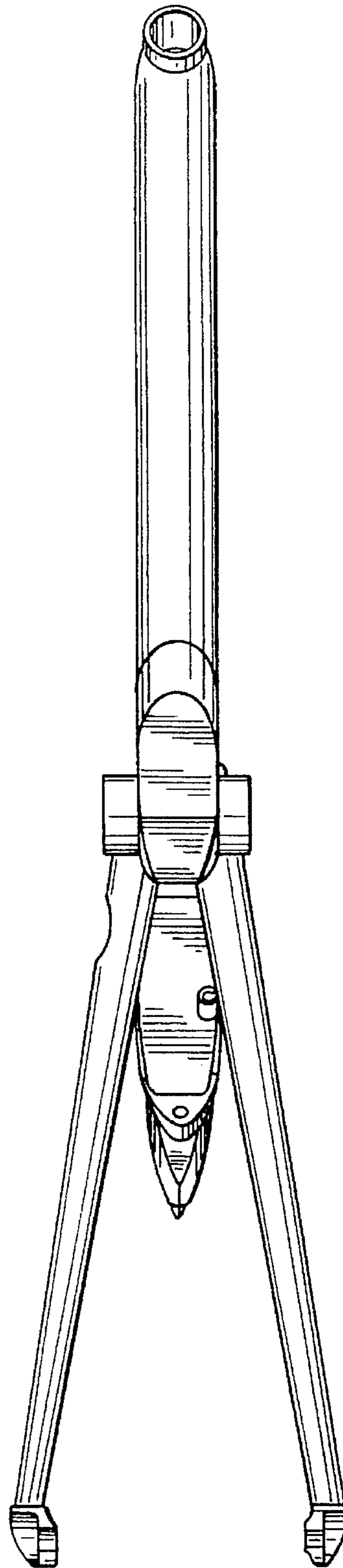


FIG. 6