



US00D370430S

# United States Patent [19] Powell

[11] Patent Number: **Des. 370,430**  
[45] Date of Patent: **\*\*Jun. 4, 1996**

[54] **FLOWER POT AND SAUCER**

[76] Inventor: **Anita Powell**, 340 E. Walnut St.,  
Elberfeld, Ind. 47613

[\*\*] Term: **14 Years**

[21] Appl. No.: **38,696**

[22] Filed: **May 11, 1995**

[52] U.S. Cl. .... **D11/143**

[58] Field of Search ..... **D11/143, 152**

[56] **References Cited**

**U.S. PATENT DOCUMENTS**

D. 19,690 3/1890 Overton ..... D11/152  
D. 130,027 10/1941 Koch ..... D11/152

*Primary Examiner*—Alan P. Douglas  
*Assistant Examiner*—Cathron B. Matta  
*Attorney, Agent, or Firm*—Middleton & Reutlinger; David  
W. Carrithers

[57] **CLAIM**

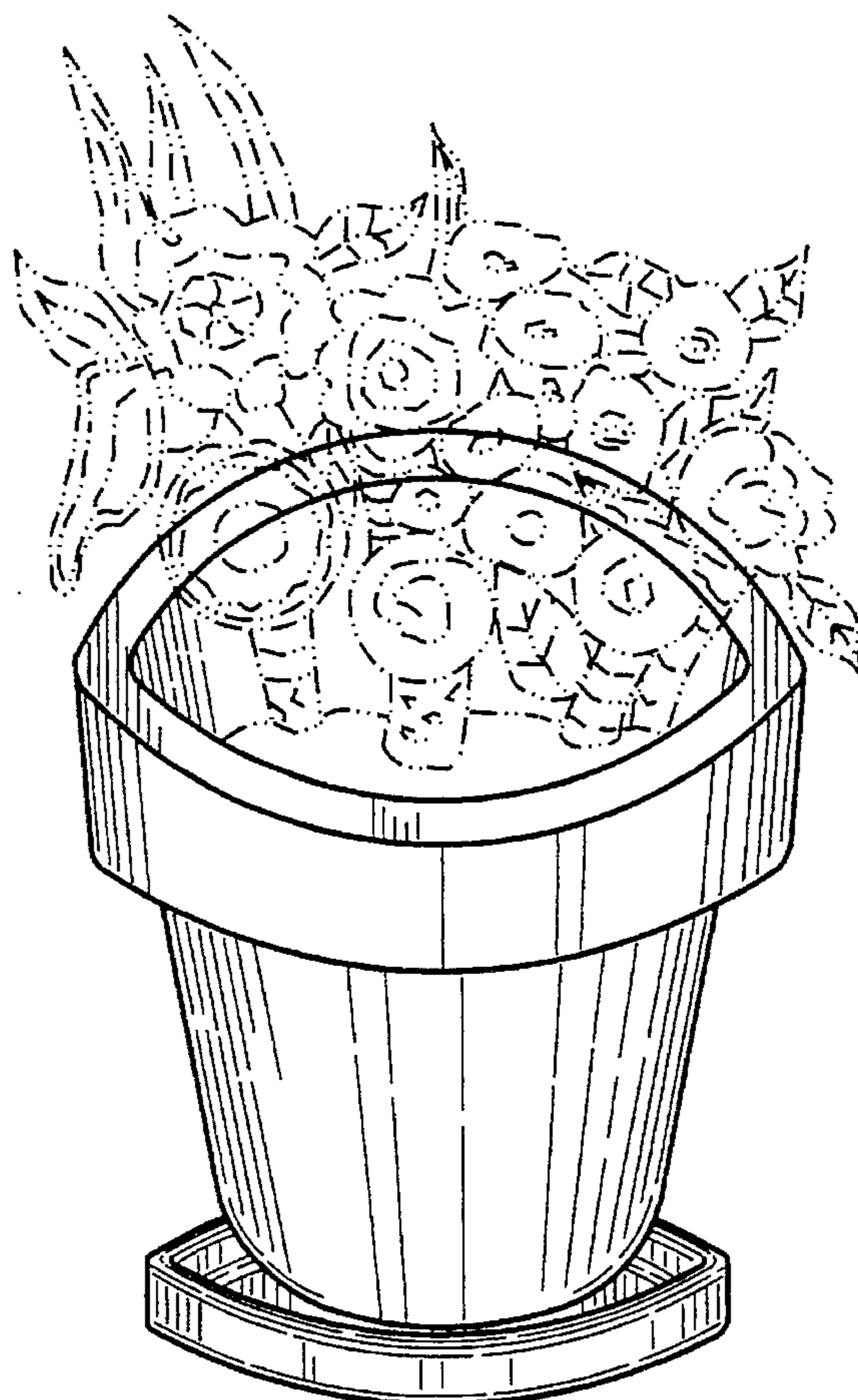
The ornamental design for a flower pot and saucer, as shown  
an described.

**DESCRIPTION**

FIG. 1 is a top plan view of a flower pot and saucer made

in accordance with my design;  
FIG. 2 is an elevational right side view thereof;  
FIG. 3 is a front perspective view thereof;  
FIG. 4 is an elevational left side view thereof;  
FIG. 5 is a bottom plan view thereof;  
FIG. 6 is a rear perspective view thereof;  
FIG. 7 is an elevational front view thereof;  
FIG. 8 is a rear plan view thereof;  
FIG. 9 is an elevational side perspective view thereof;  
FIG. 10 is a front perspective side view showing the flower  
pot and saucer holding flowers therein shown in phantom  
lines;  
FIG. 11 is a front plan view of the flower pot of FIG. 1, the  
flower pot not shown for ease of illustration;  
FIG. 12 is an elevational right side view of FIG. 11;  
FIG. 13 is an elevational left side view of FIG. 11;  
FIG. 14 is a bottom plan view of FIG. 11;  
FIG. 15 is a front perspective view of the saucer of FIG. 1,  
the flower pot not shown for ease of illustration;  
FIG. 16 is a top plan view of FIG. 15;  
FIG. 17 is a bottom plan view of FIG. 15;  
FIG. 18 is an elevational front view of FIG. 15, the eleva-  
tional rear view being a mirror image thereof; and,  
FIG. 19 is an elevational left side view of FIG. 15, the right  
side view being a mirror image thereof.  
The broken line showing of flowers is for illustrative pur-  
poses only and forms no part of the claimed design.

**1 Claim, 3 Drawing Sheets**



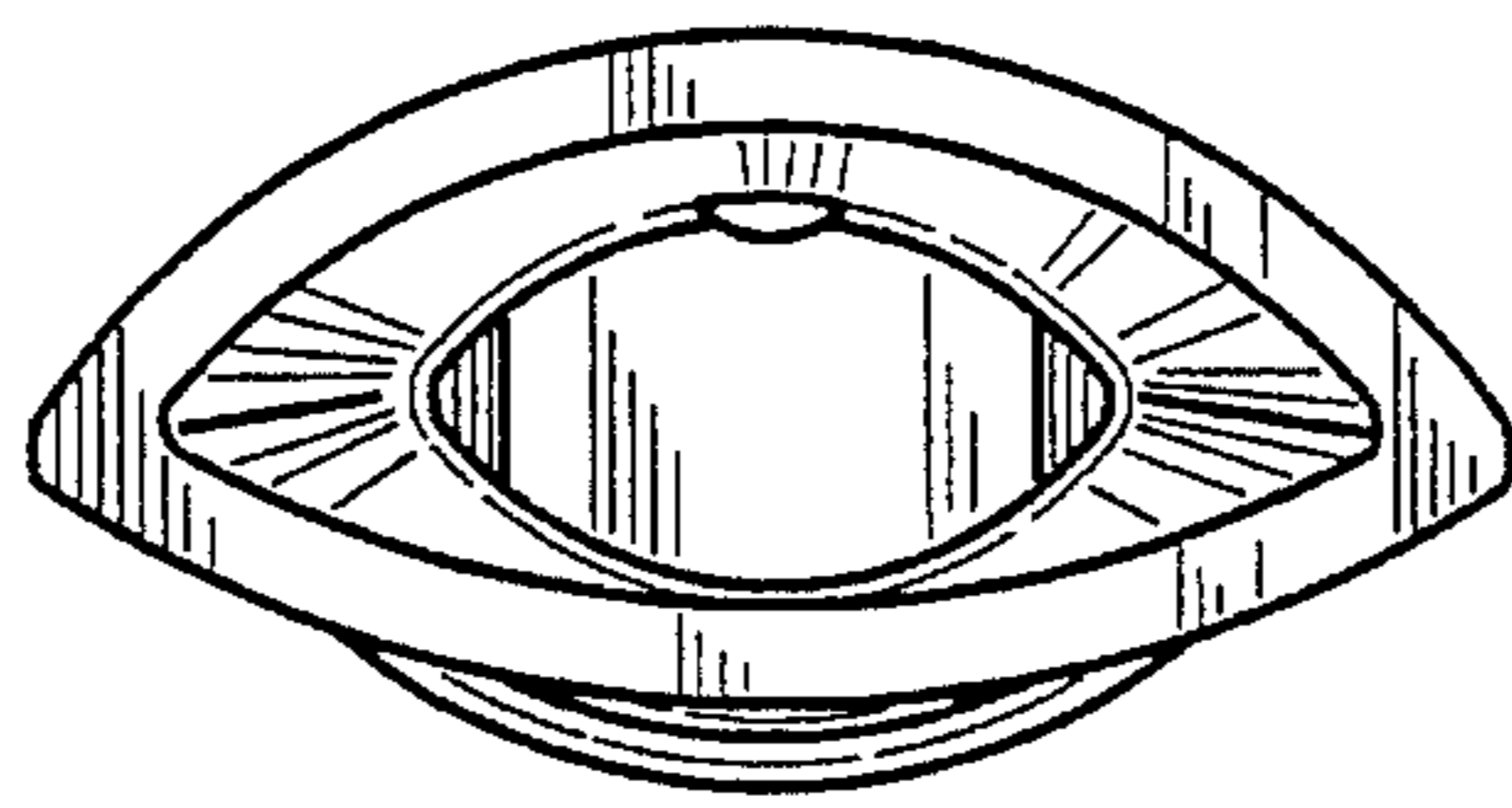


FIG. 1

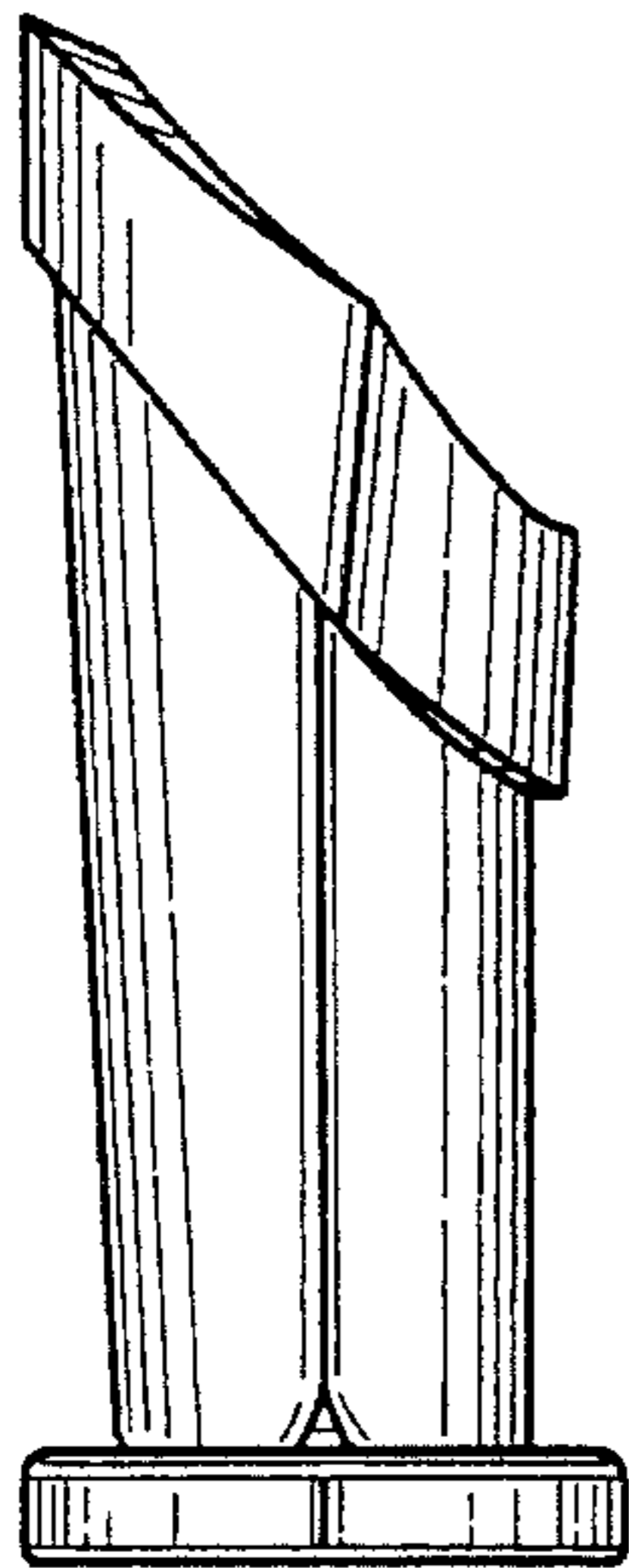


FIG. 2

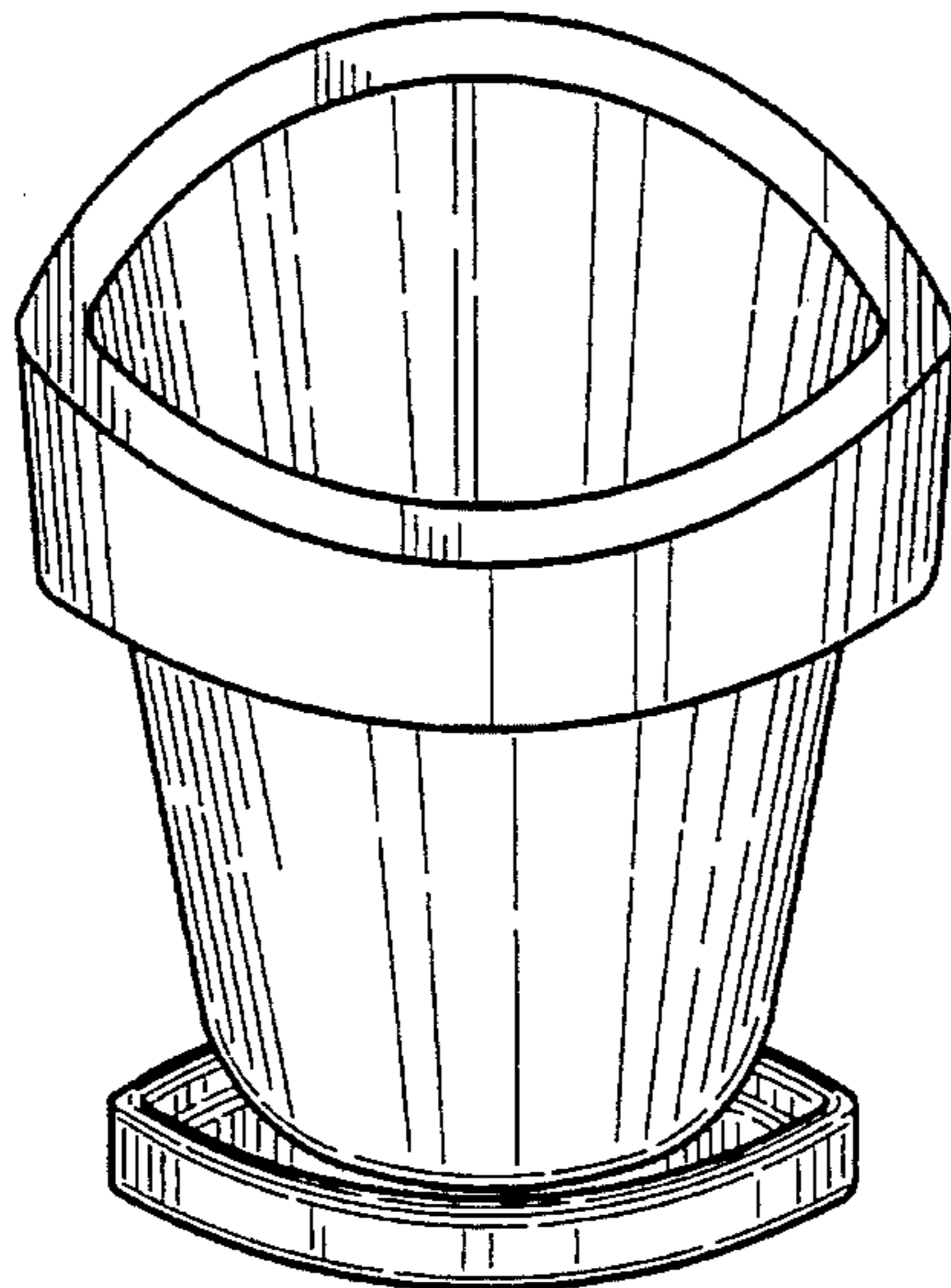


FIG. 3

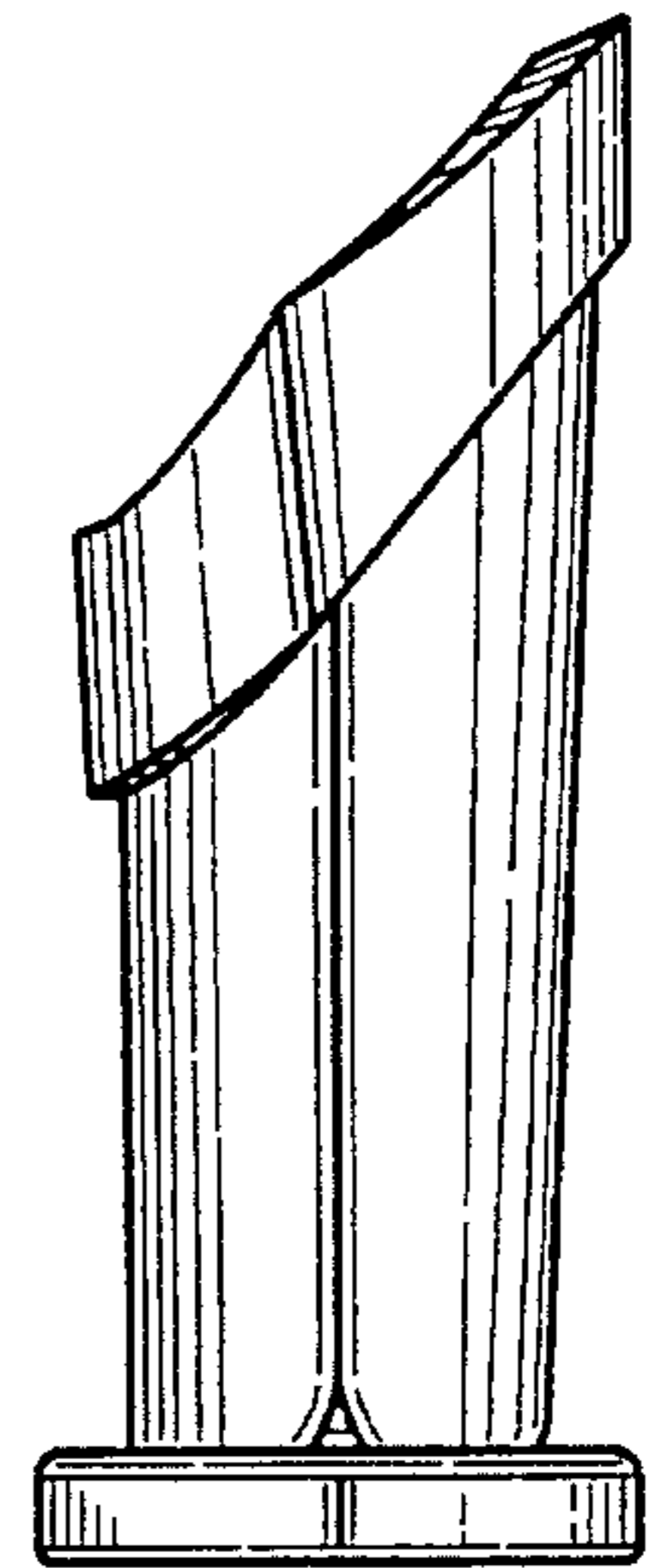


FIG. 4

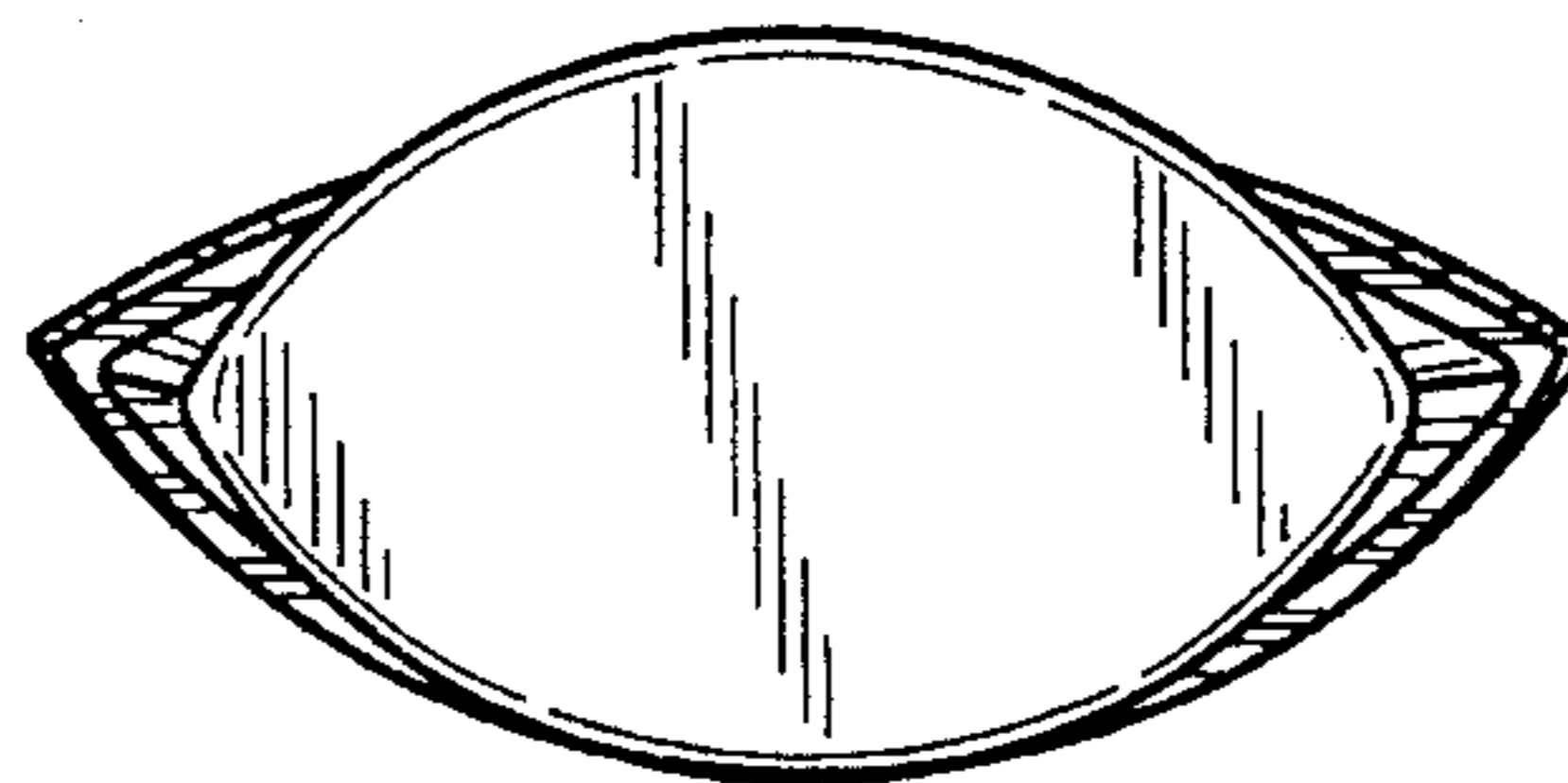


FIG. 5

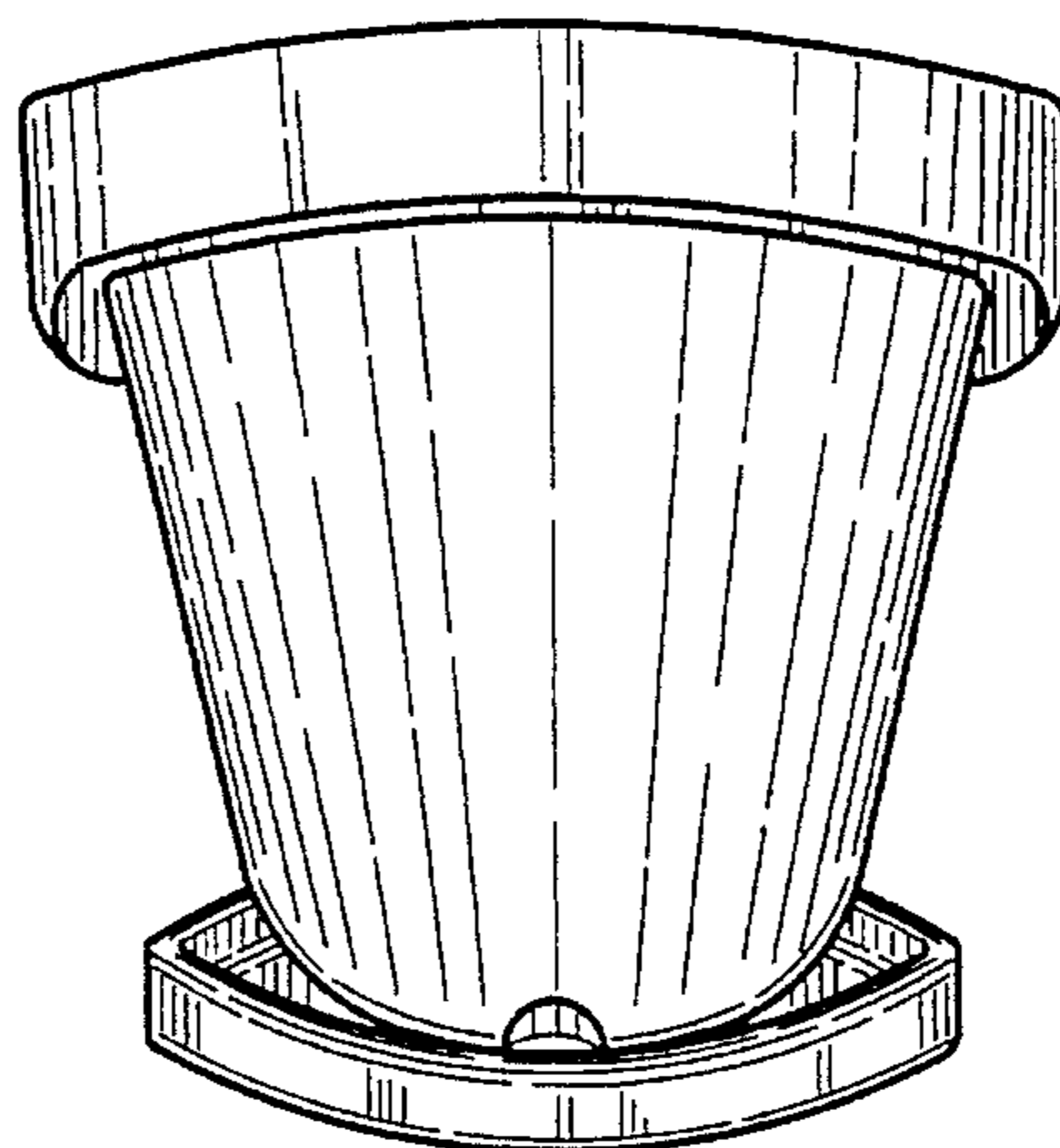


FIG. 6

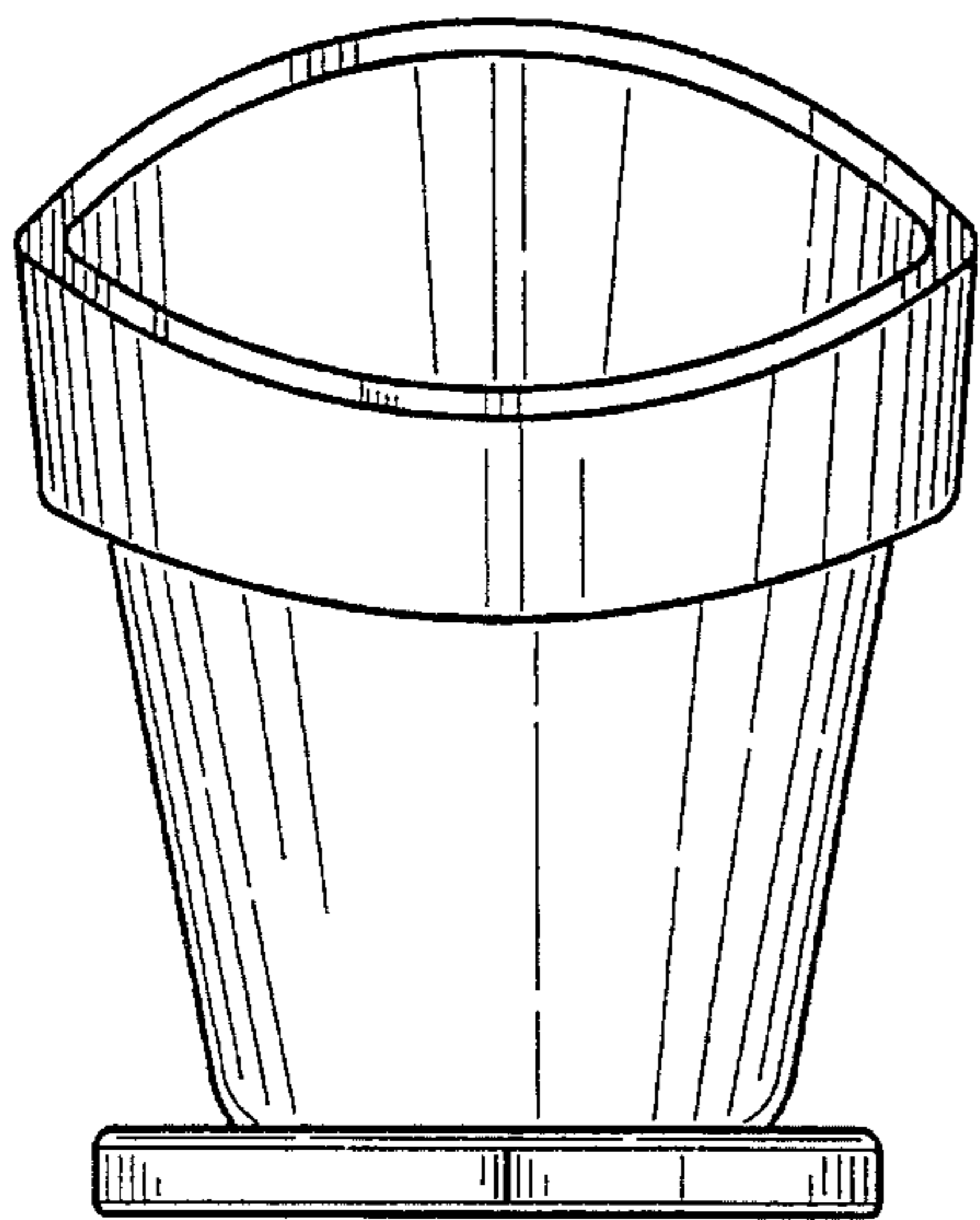


FIG. 7

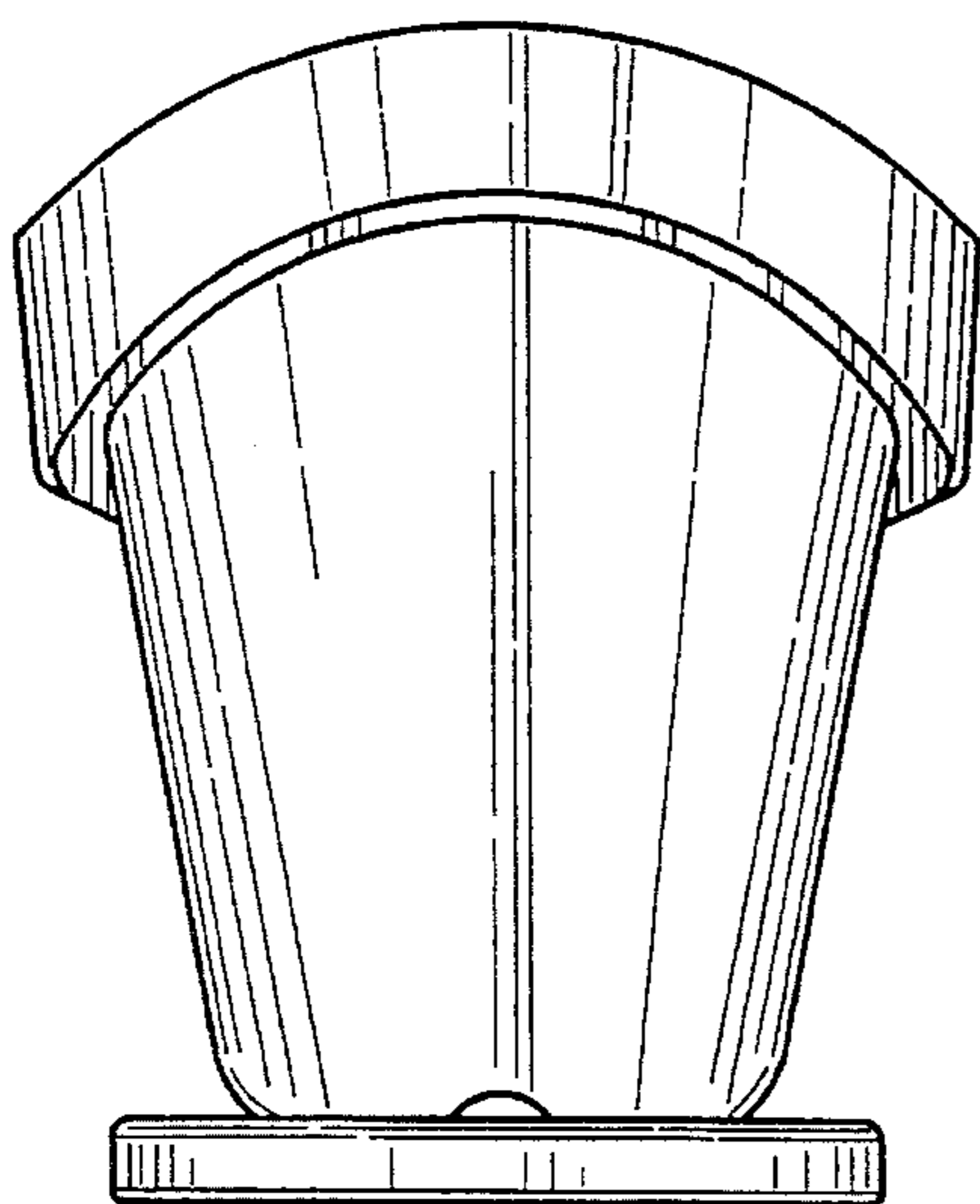


FIG. 8

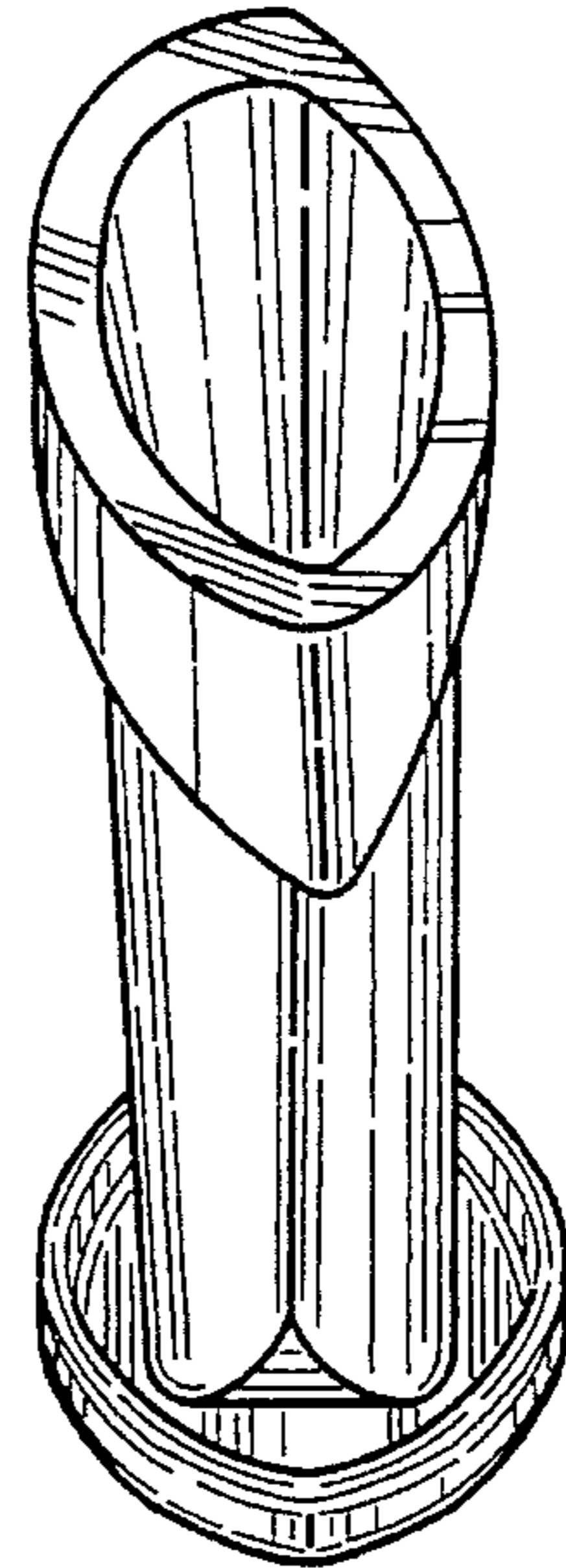


FIG. 9

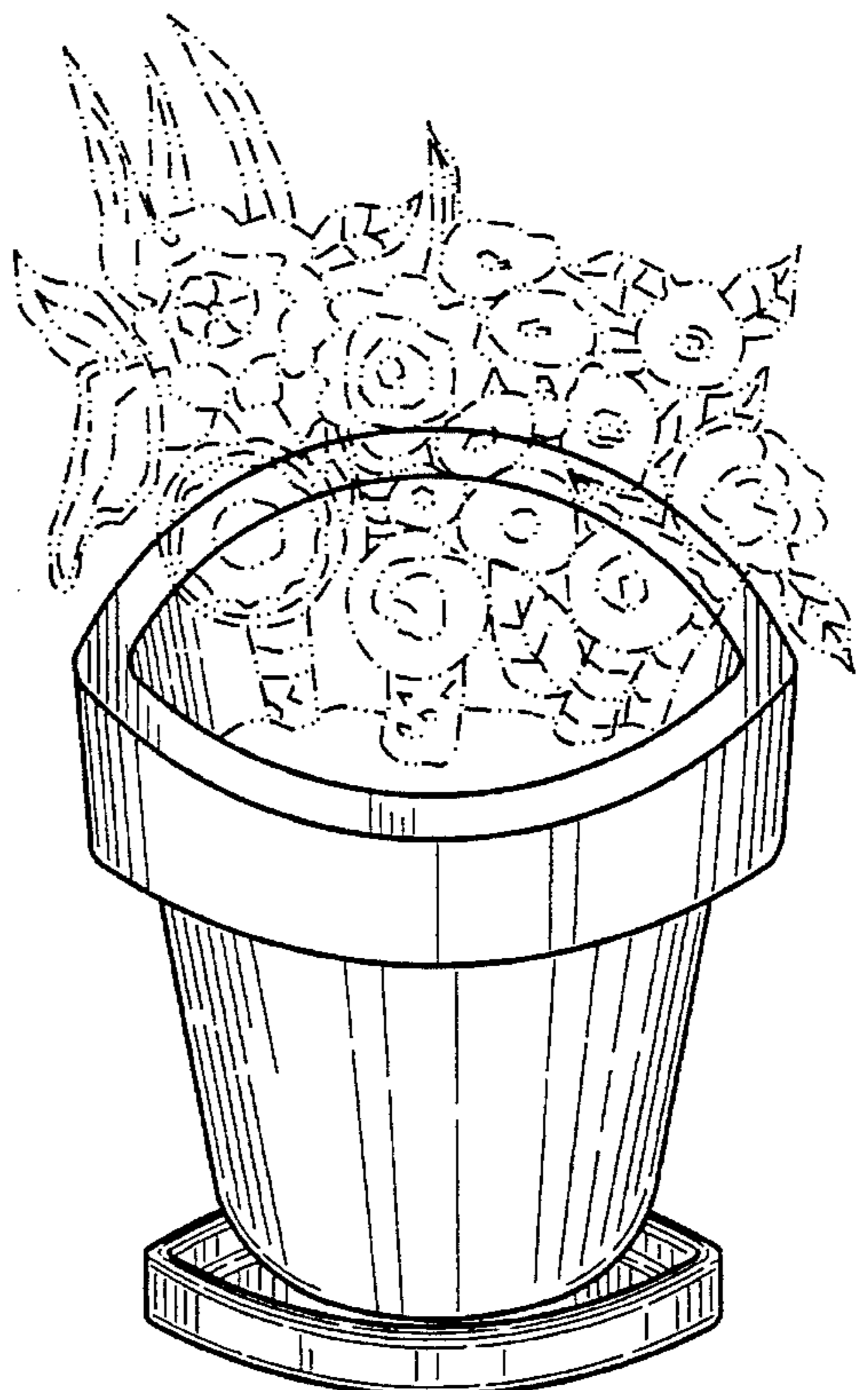


FIG. 10

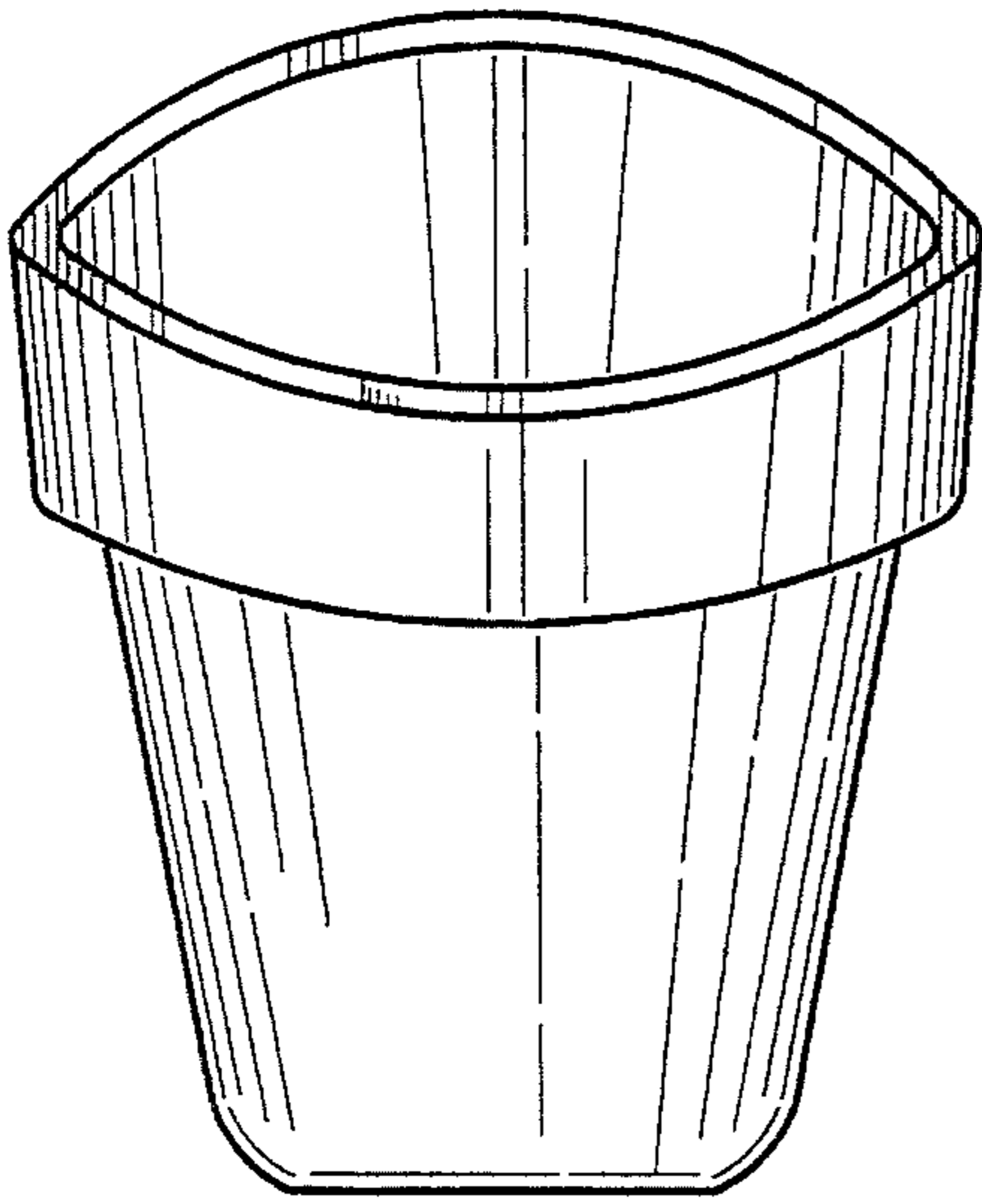


FIG. 11

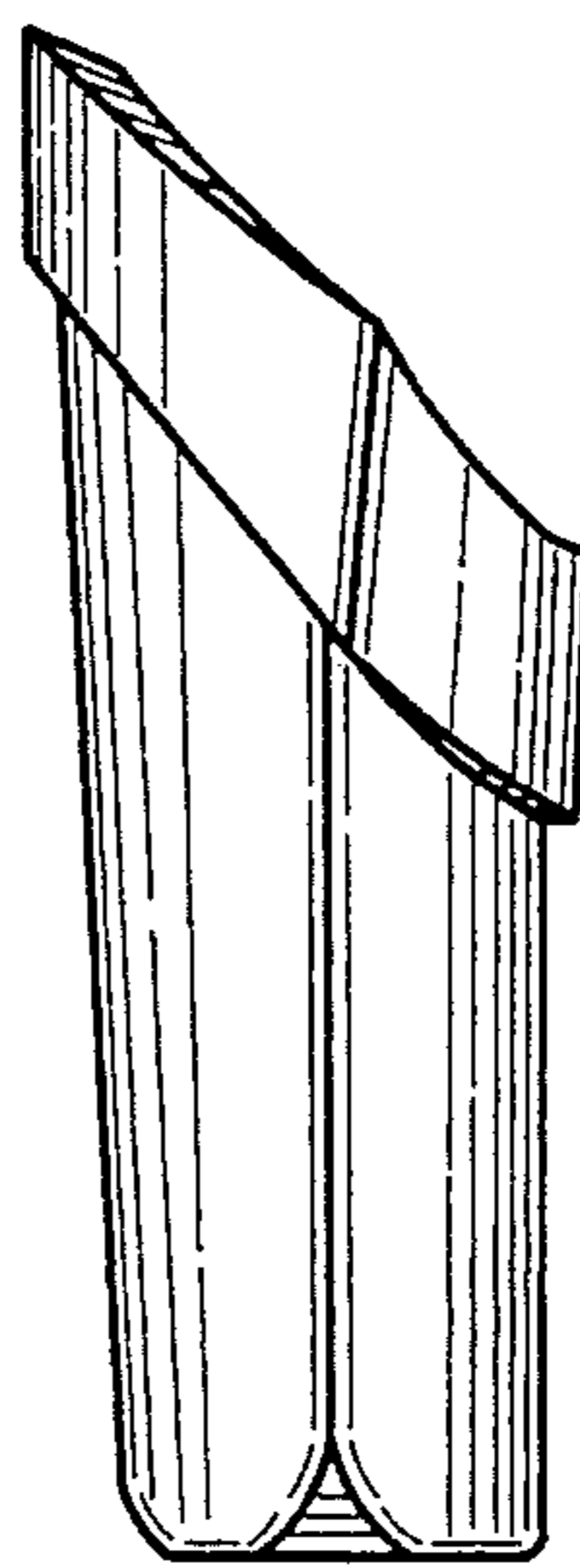


FIG. 12

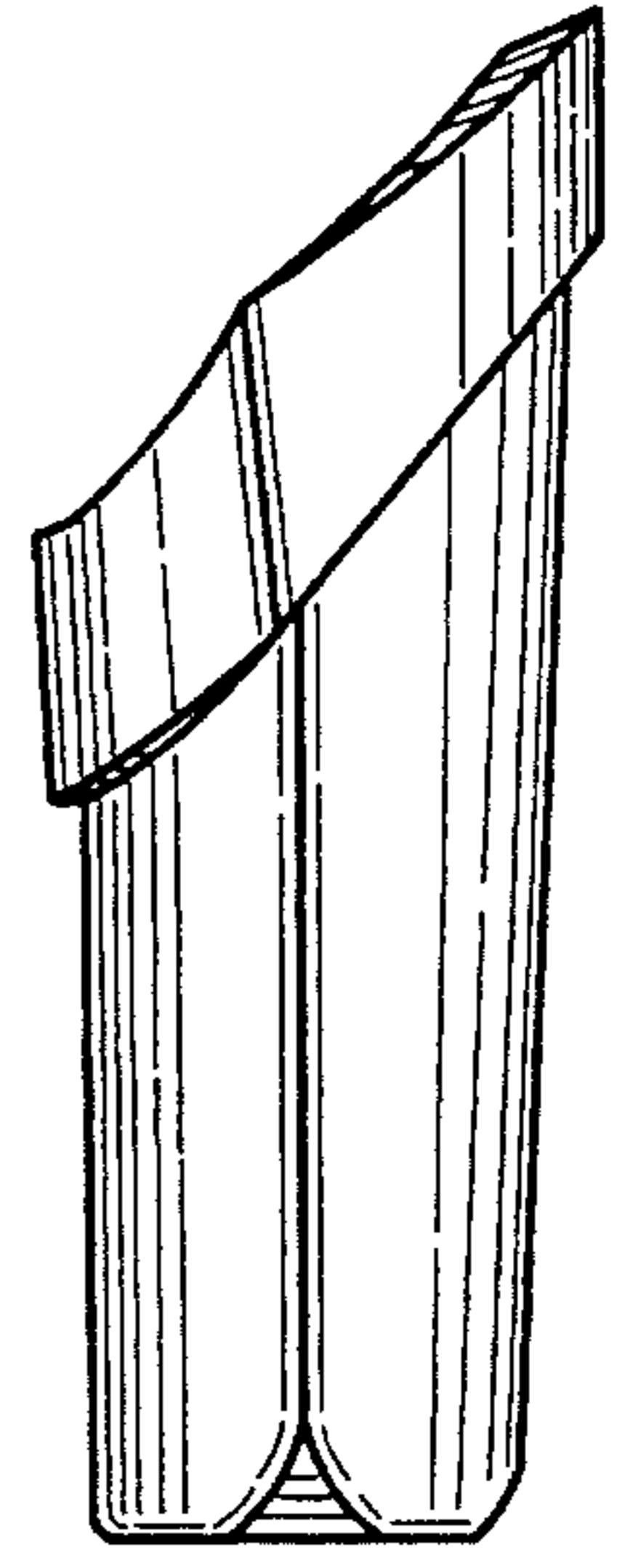


FIG. 13

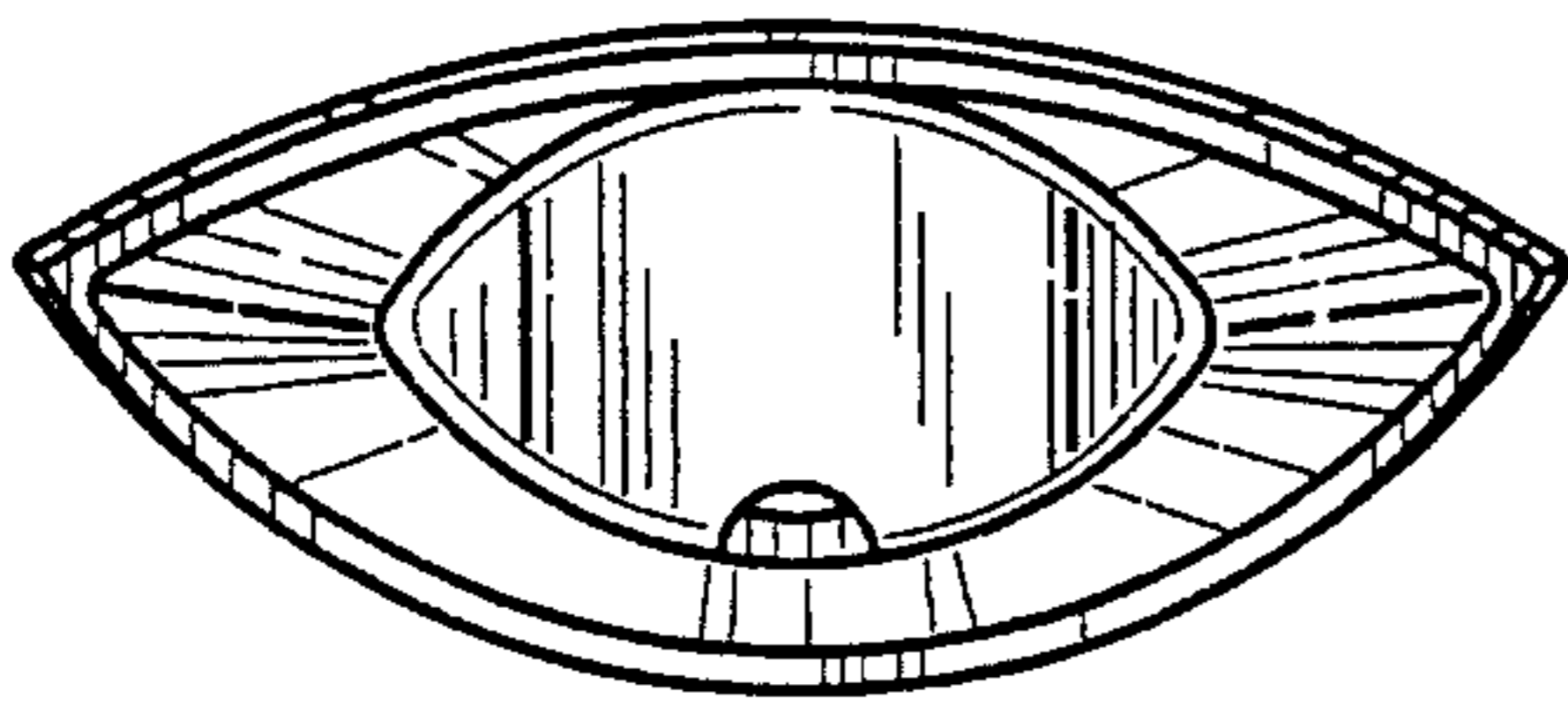


FIG. 14



FIG. 15

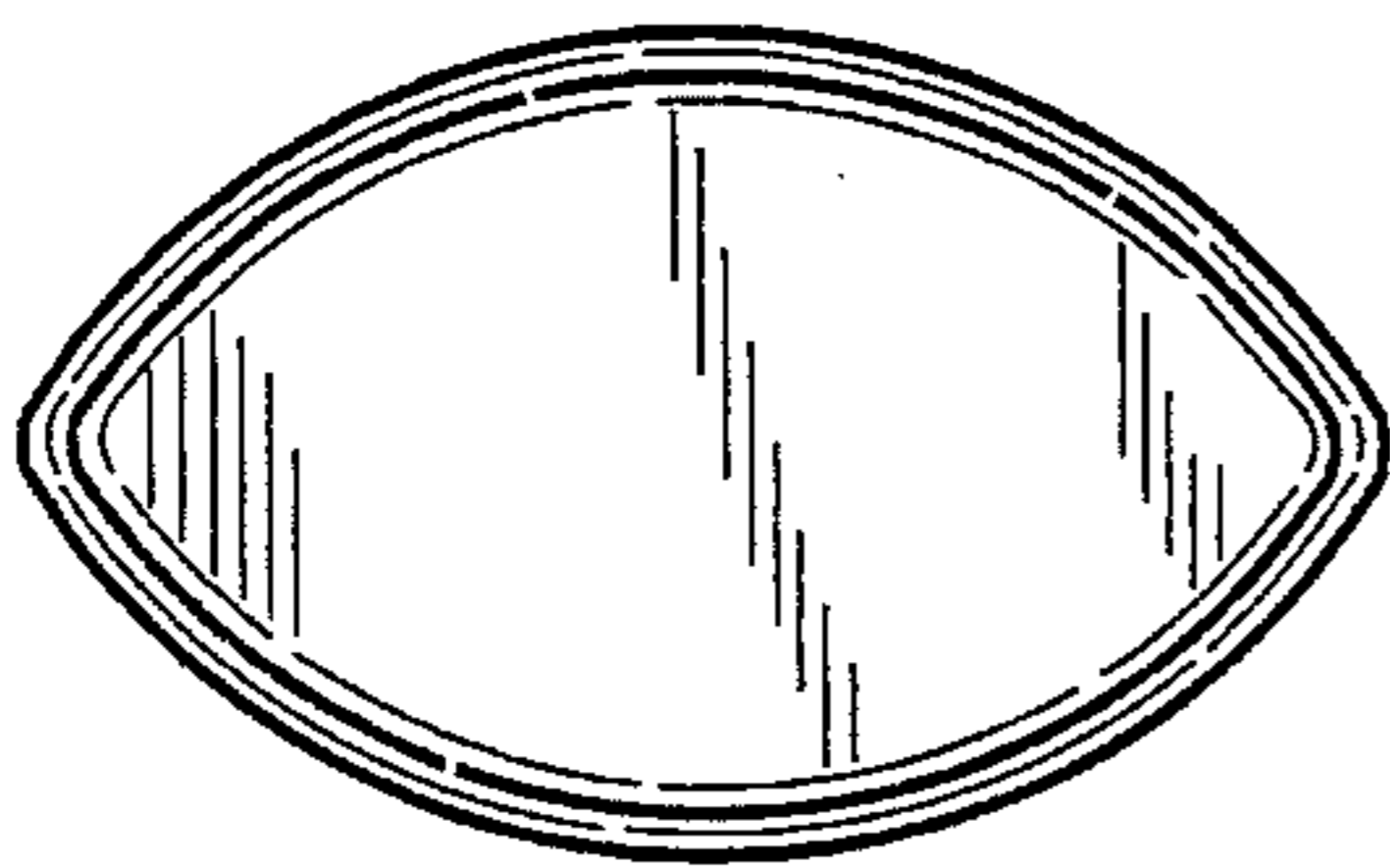


FIG. 16

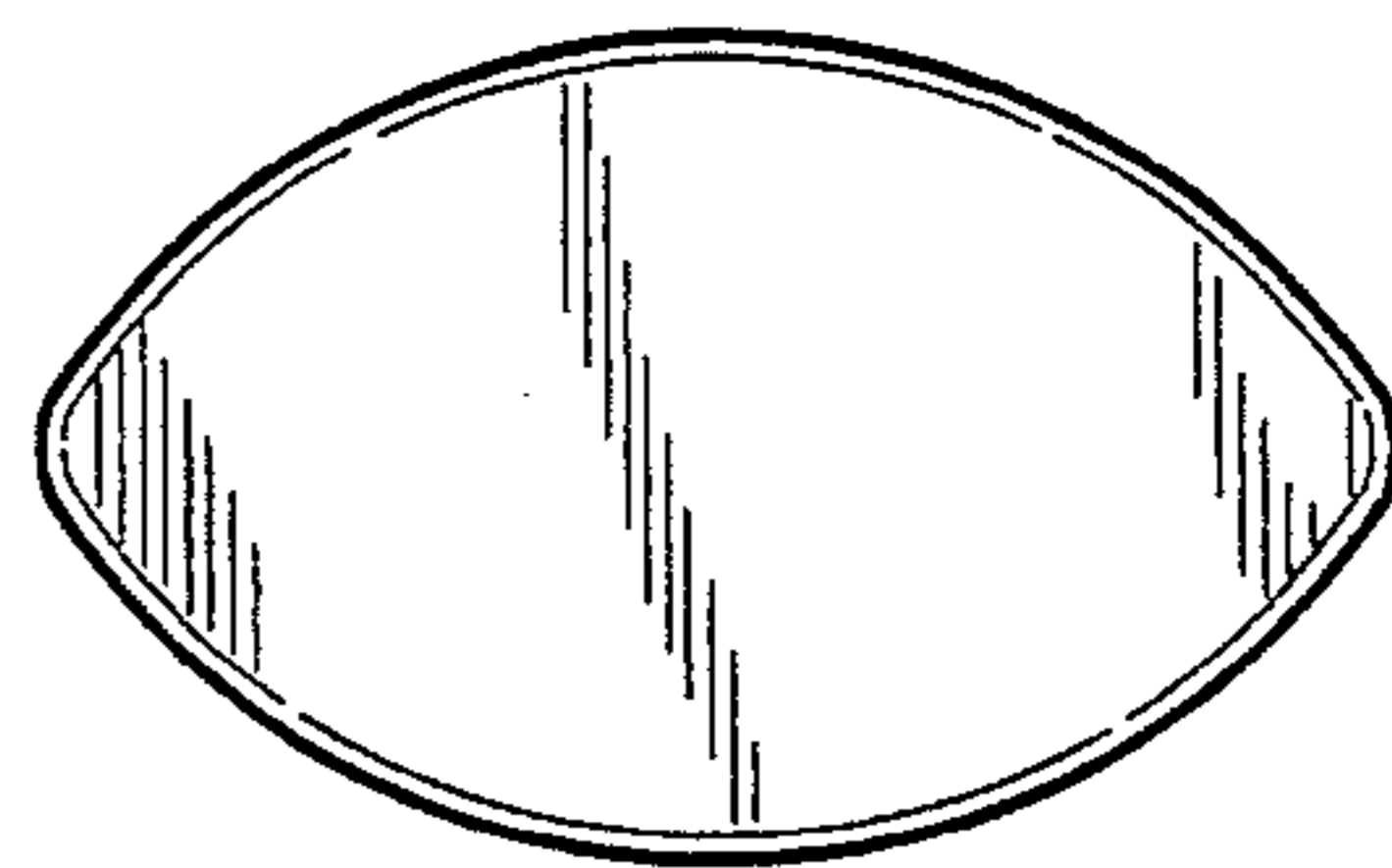


FIG. 17



FIG. 18



FIG. 19