



US00D370425S

United States Patent [19] Kino

[11] Patent Number: **Des. 370,425**

[45] Date of Patent: ****Jun. 4, 1996**

[54] **HOUSE CHIME**

[75] Inventor: **Moriya Kino**, Yokohama, Japan

[73] Assignee: **Royal Co., Ltd.**, Japan

[**] Term: **14 Years**

[21] Appl. No.: **32,657**

[22] Filed: **Dec. 22, 1994**

[52] U.S. Cl. **D10/118**

[58] Field of Search D10/116, 117,
D10/118, 119; 116/148, 170, 171, 172;
340/392, 393, 395, 398; D20/37

[56] **References Cited**

U.S. PATENT DOCUMENTS

D. 69,793	3/1926	Brill	D10/116
D. 168,861	2/1953	Sarna	D10/116
D. 173,642	12/1954	Crowson	D10/116
D. 239,518	4/1976	Beneteau	D10/116
D. 343,805	2/1994	Bar-Yona	D10/116
D. 352,011	11/1994	Birtciel	D10/116

OTHER PUBLICATIONS

A catalog "Toyroyal" including Product Nos. 3401, 3402, 3403, 3404, and 3405 issued '92-'93 by Royal Co., Ltd.—1 page, prior to Dec. 1994.

A catalog of Mattel Toys listing distributors, featuring "First Toys . . ." Activity Roll-Alongs, p. 9, no date, prior to Dec. 1994.

HELLO! BABY; Combi, 1992, p. 41.

Primary Examiner—Marcus A. Jackson
Attorney, Agent, or Firm—Ostrolenk, Faber, Gerb & Soffen

[57] **CLAIM**

The ornamental design for a house chime, as shown and described.

DESCRIPTION

FIG. 1 is a left side elevational view of a house chime showing my new design;

FIG. 2 is a front elevational view thereof and is also a mirror image of a rear elevational view thereof;

FIG. 3 is a top plan view thereof;

FIG. 4 is a bottom plan view thereof;

FIG. 5 is a cross-sectional view taken along a line 5—5 in FIG. 2; and,

FIG. 6 is a right side elevational view thereof.

1 Claim, 3 Drawing Sheets

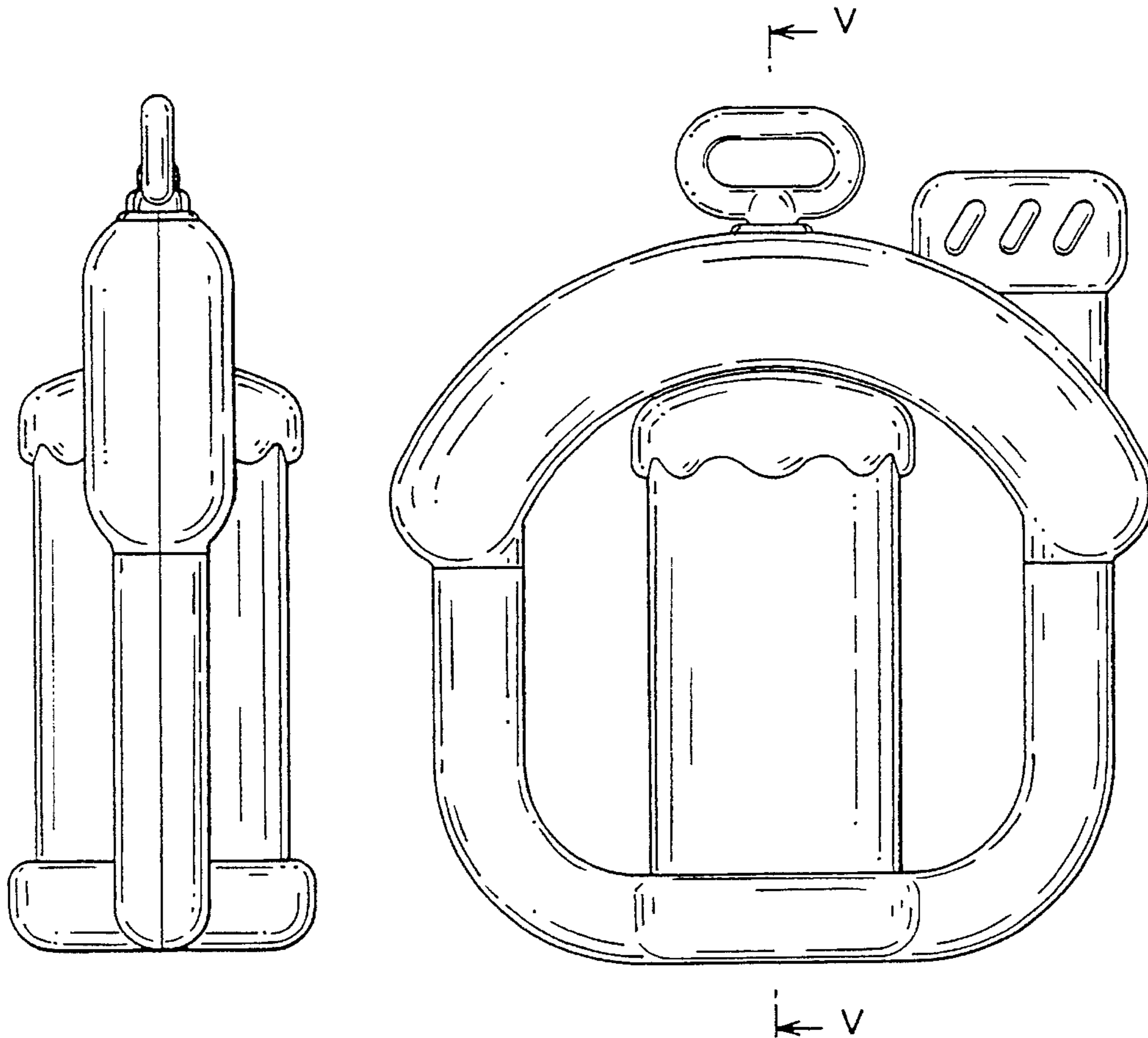


Fig. 1

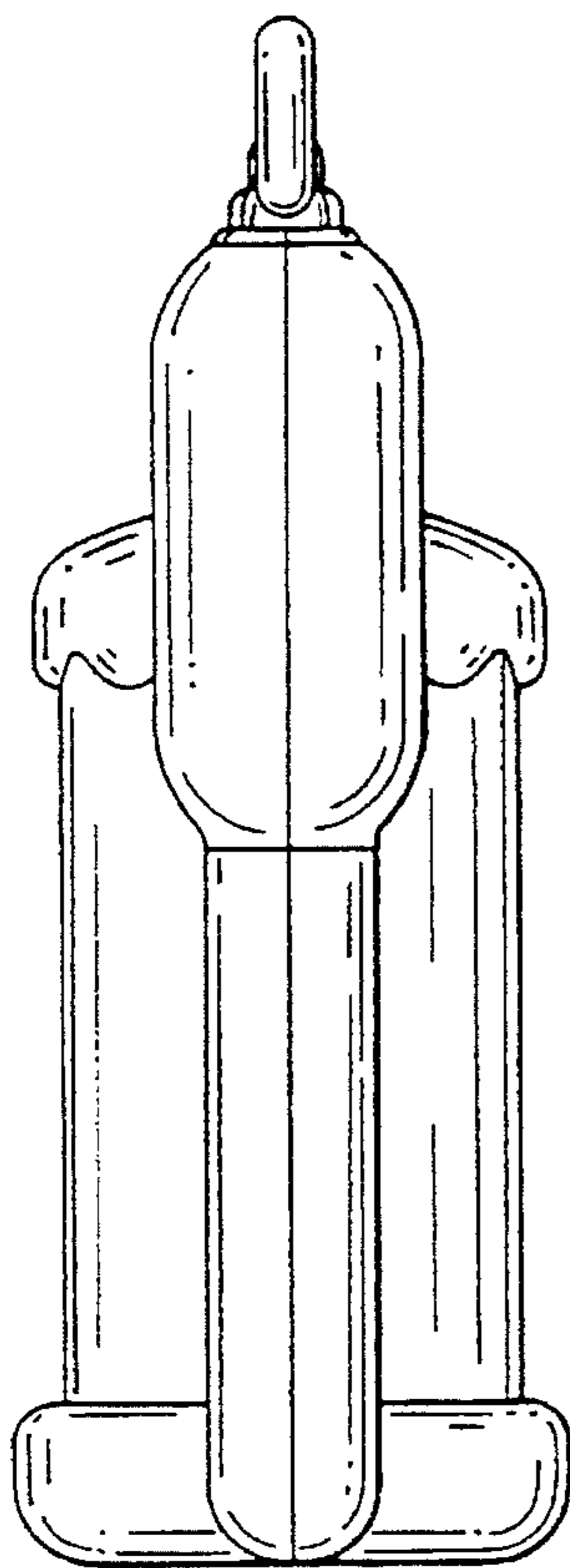


Fig. 2

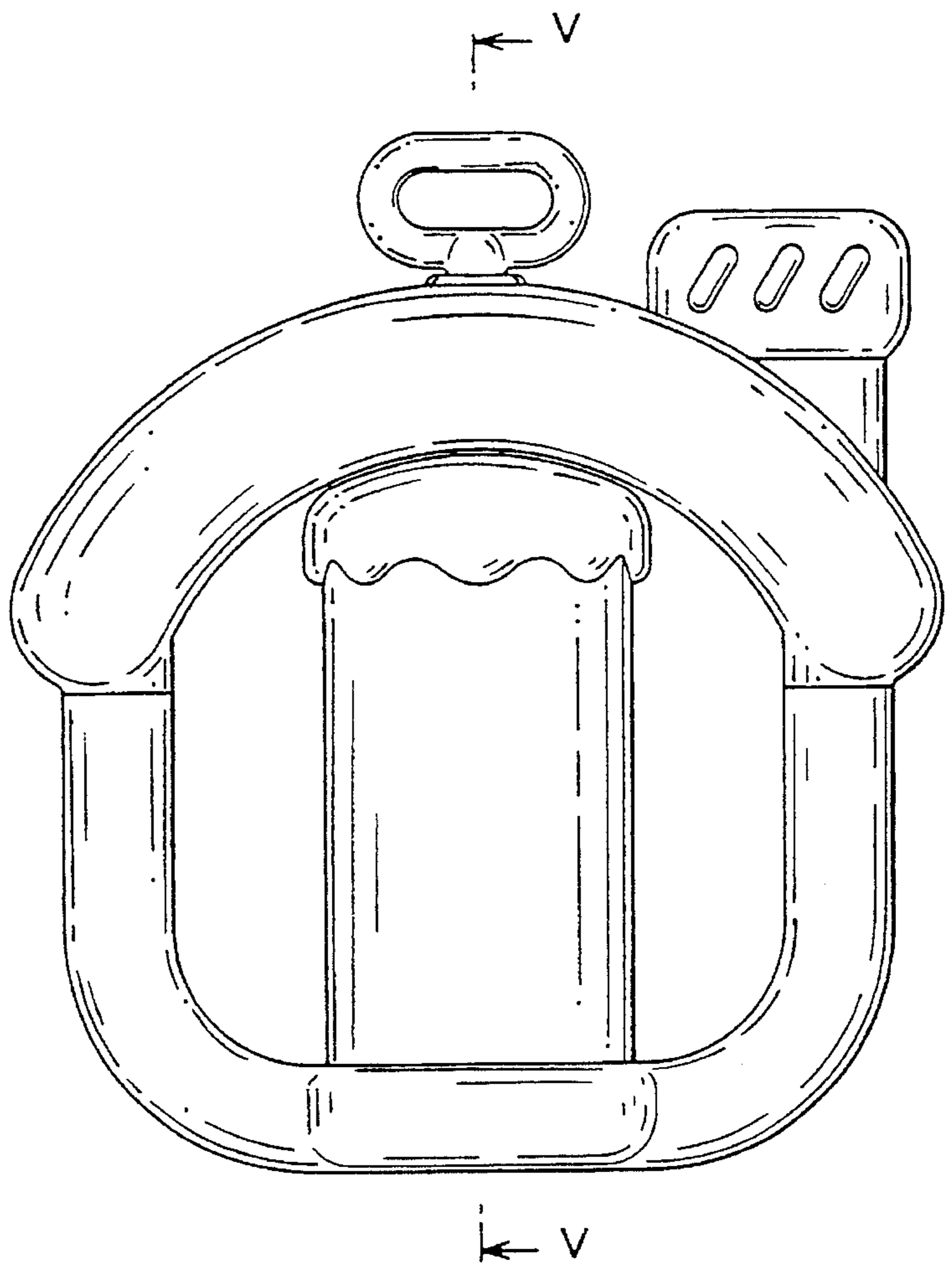


Fig. 3

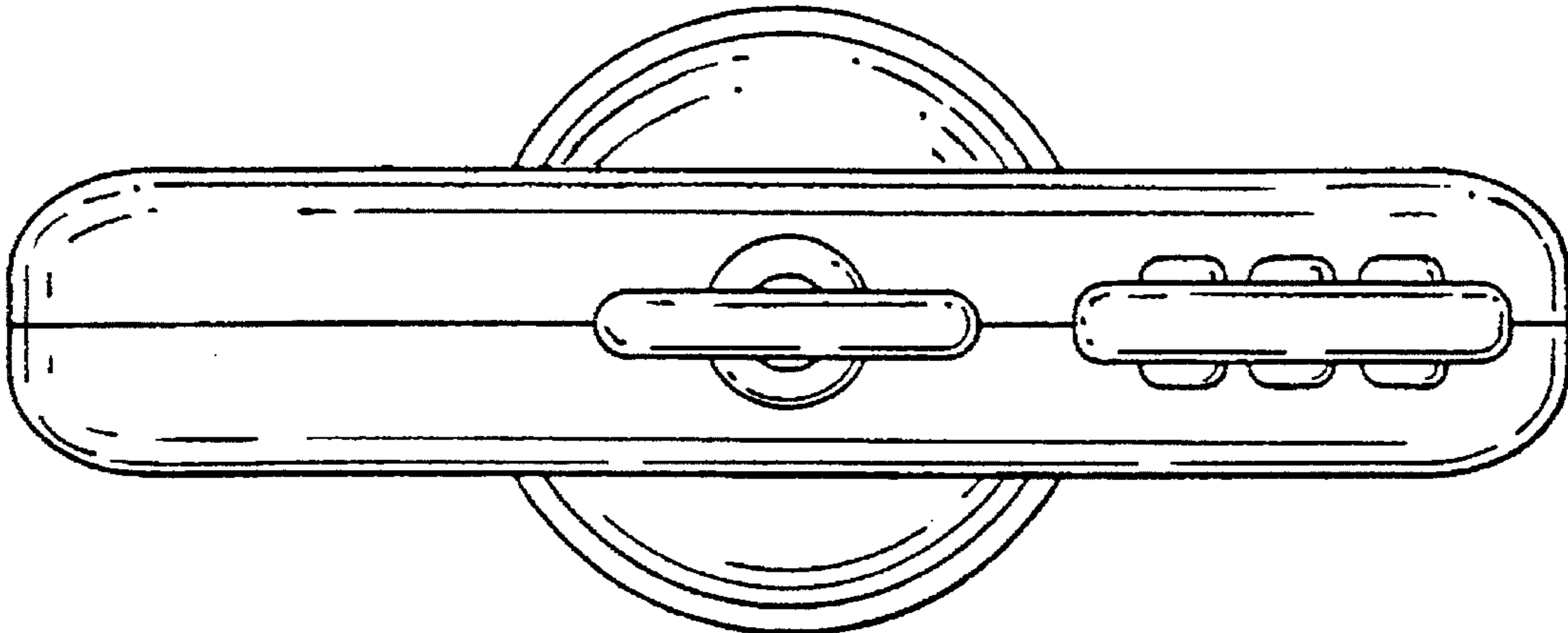


Fig. 4

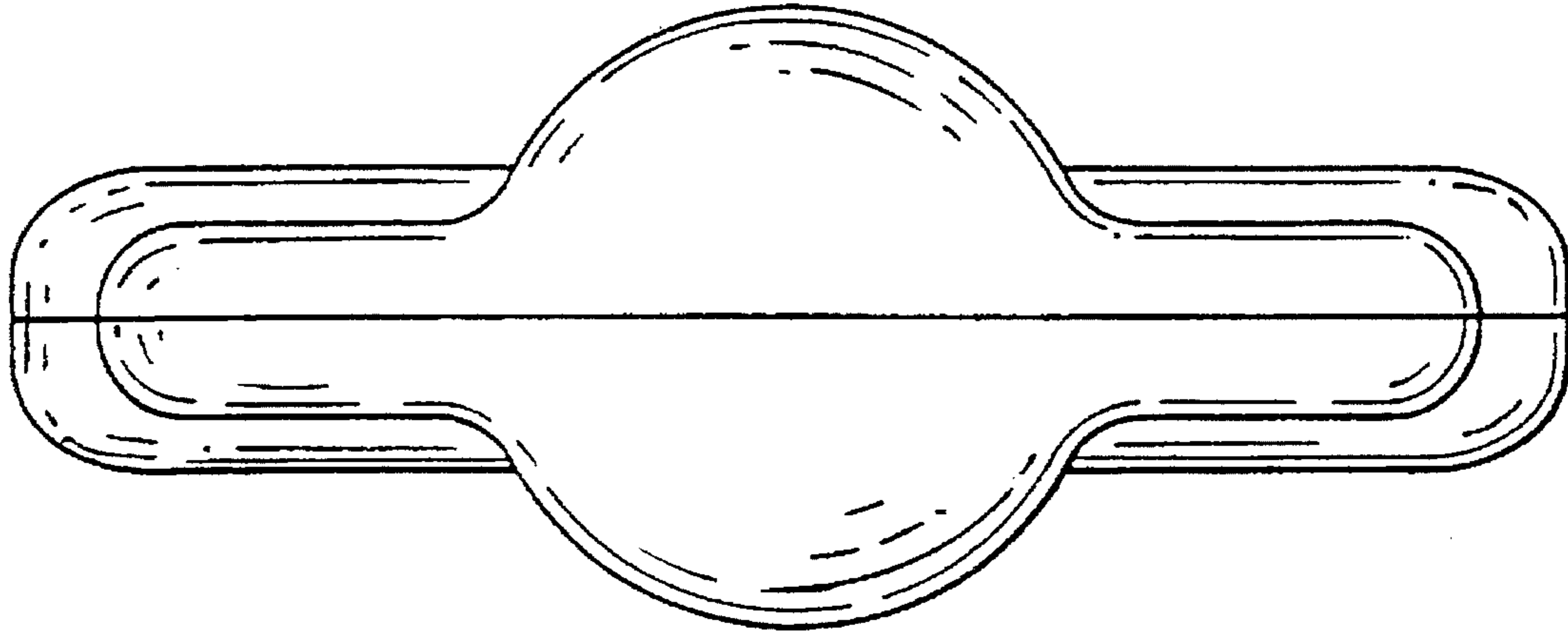


Fig. 5

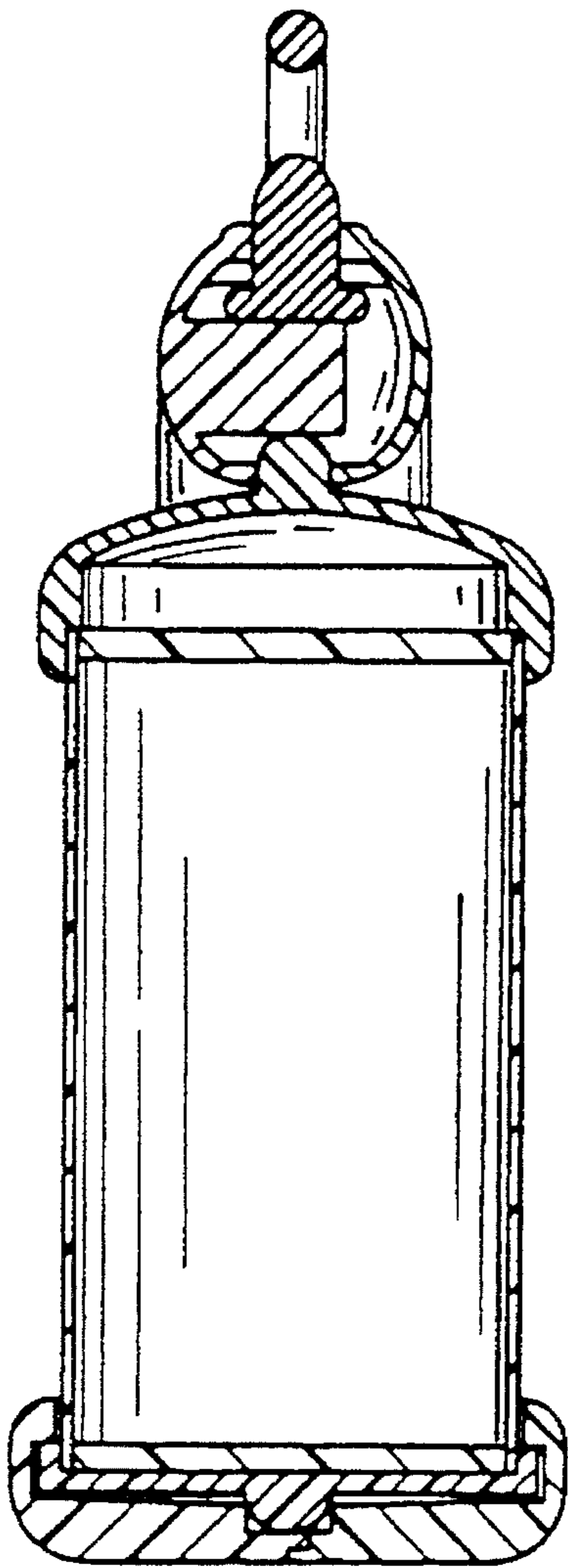


Fig. 6

