



US00D370423S

United States Patent [19]

Nagai et al.

[11] Patent Number: **Des. 370,423**

[45] Date of Patent: ****Jun. 4, 1996**

[54] **FRAME FOR PRESSURIZED FLUID-OPERATING DEVICES**

[75] Inventors: **Shigekazu Nagai; Koji Sugano**, both of Ibaraki-ken, Japan

[73] Assignee: **SMC Kabushiki Kaisha**, Tokyo, Japan

[**] Term: **14 Years**

[21] Appl. No.: **37,752**

[22] Filed: **Apr. 18, 1995**

[30] **Foreign Application Priority Data**

Oct. 19, 1994 [JP] Japan 6-31722

[52] U.S. Cl. **D10/94; D25/120**

[58] Field of Search D10/94, 96; D23/233, D23/235, 249; D25/119, 120; 137/271, 560, 861, 884

[56] **References Cited**

U.S. PATENT DOCUMENTS

D. 244,777	6/1977	Bobrovniczky	D25/120
D. 291,250	8/1987	Stagl	D25/120
3,534,517	10/1970	Kann	D25/120 X
3,966,342	6/1976	Moriya	D25/120 X

OTHER PUBLICATIONS

Docket No. 897-120-3 Des. Ser. No. 29/037,641 filed Apr. 18, 1995, pending.

Docket No. 897-121-3 Des. Ser. No. 29/037,752 filed Apr. 18, 1995, pending.

Docket No. 897-122-3 Des. Ser. No. 29/037,756 filed Apr. 18, 1995, pending.

Docket No. 897-123-3 Des. Ser. No. 29/037,753 filed Apr. 18, 1995, pending.

Docket No. 897-124-3 Des. Ser. No. 29/037,748 filed Apr. 18, 1995, pending.

Docket No. 897-125-3 Des. Ser. No. 29/037,755 filed Apr. 18, 1995, pending.

Primary Examiner—Antoine Duval Davis
Attorney, Agent, or Firm—Oblon, Spivak, McClelland, Maier & Neustadt

[57] **CLAIM**

The ornamental design for a frame for pressurized fluid-operating devices, as shown.

DESCRIPTION

FIG. 1 is a top plan view of a frame for pressurized fluid-operating devices, showing our new design;

FIG. 2 is a front view thereof;

FIG. 3 is a right side view thereof; and,

FIG. 4 is a perspective view thereof.

1 Claim, 2 Drawing Sheets

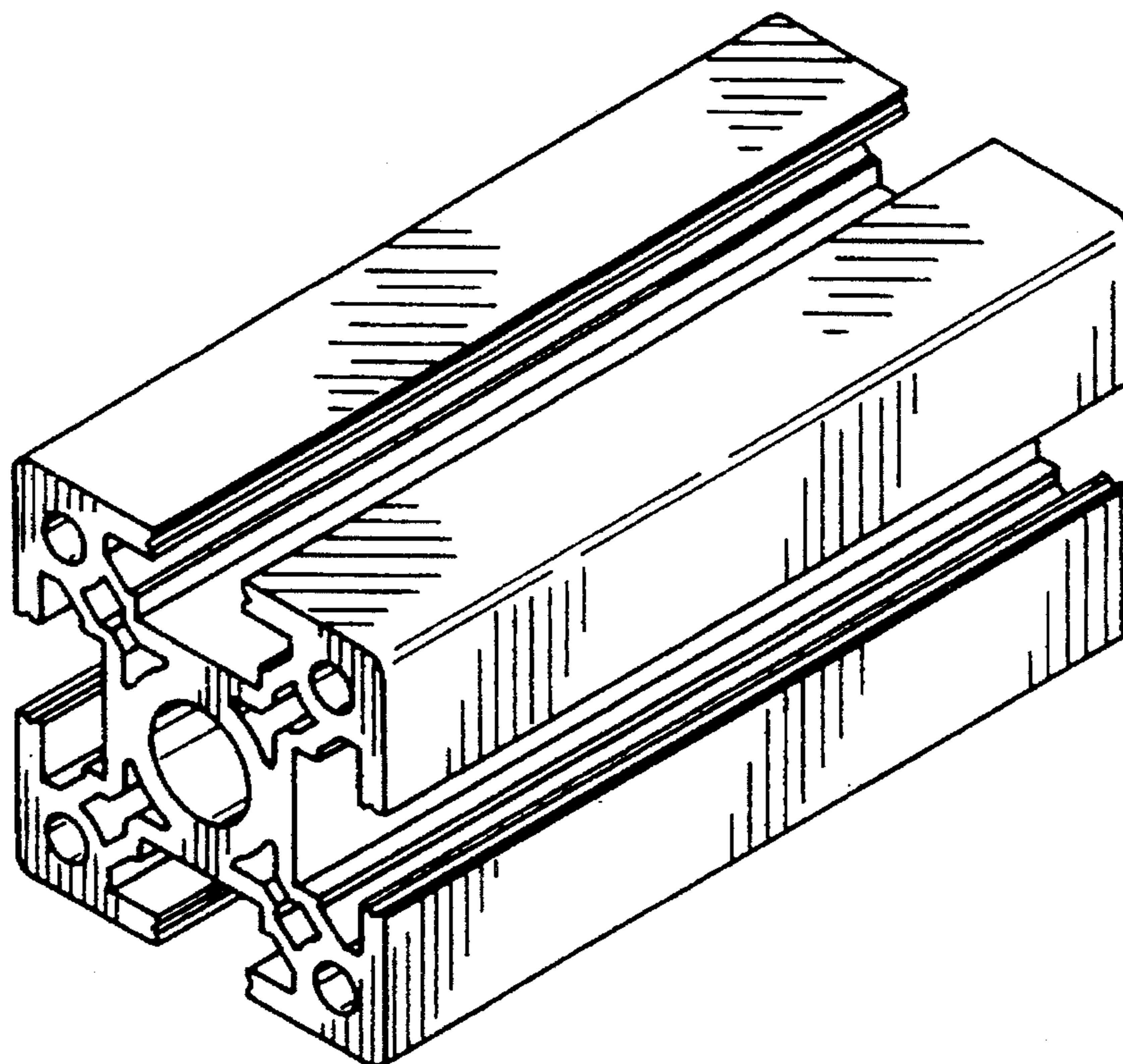


FIG.1

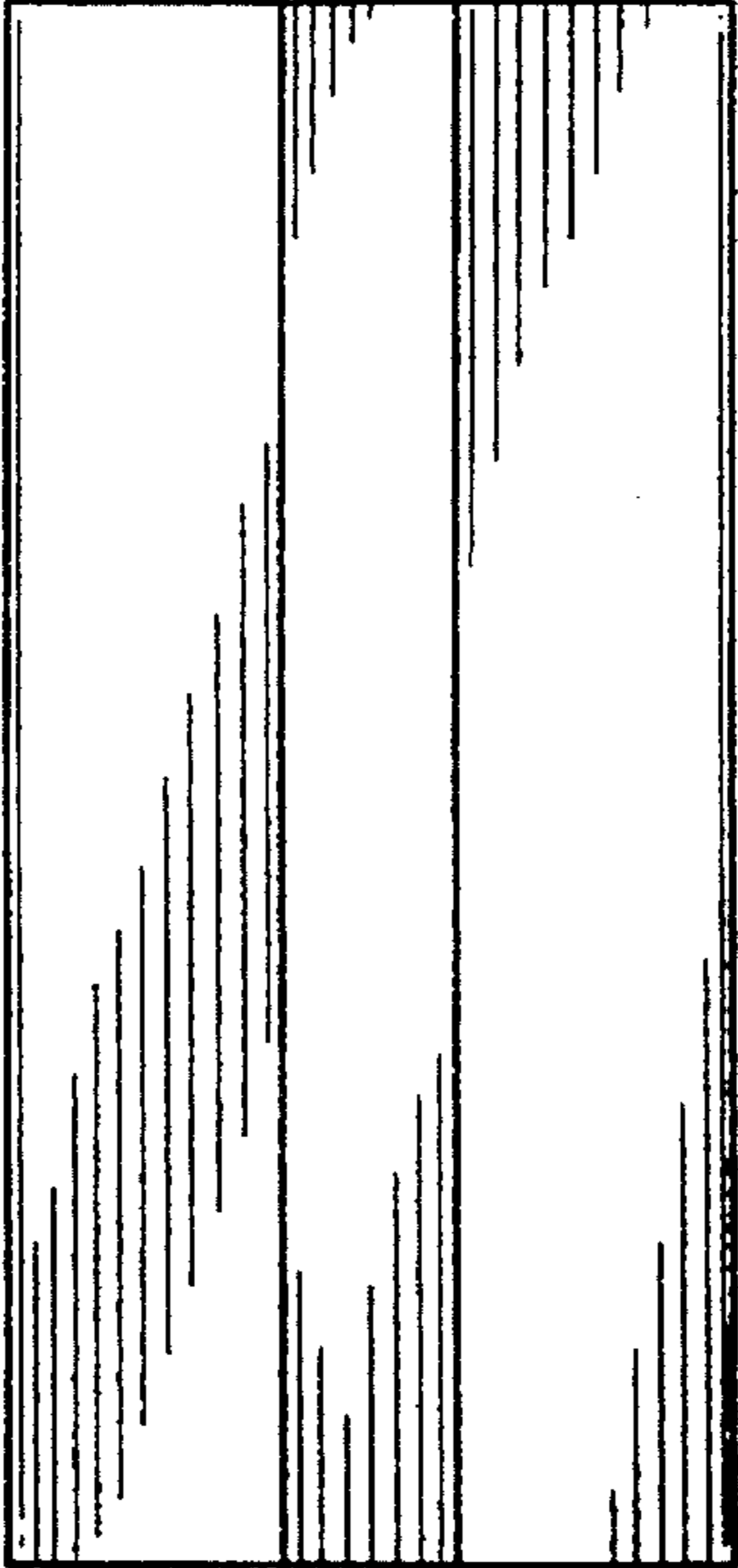


FIG. 2

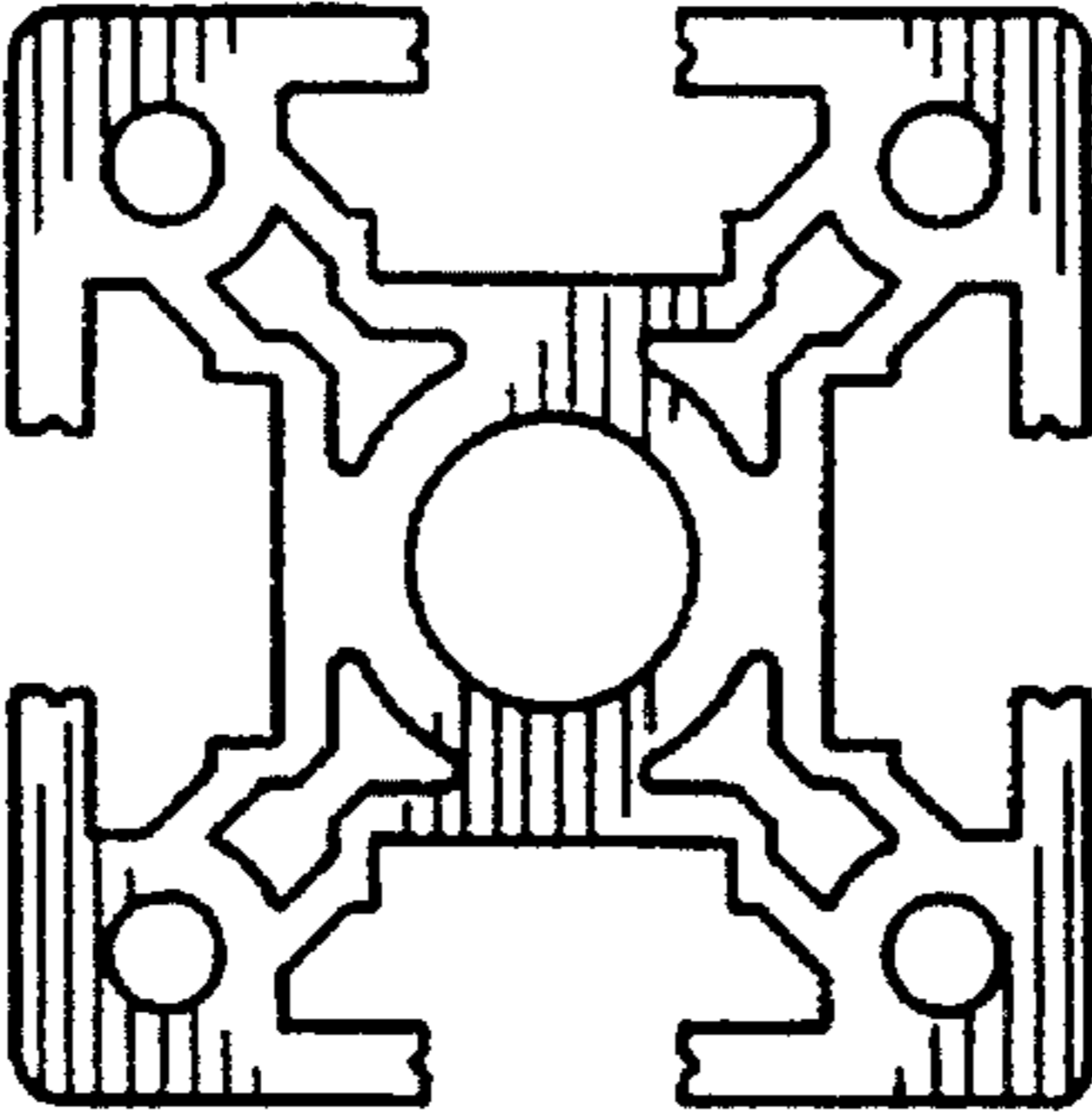


FIG. 3

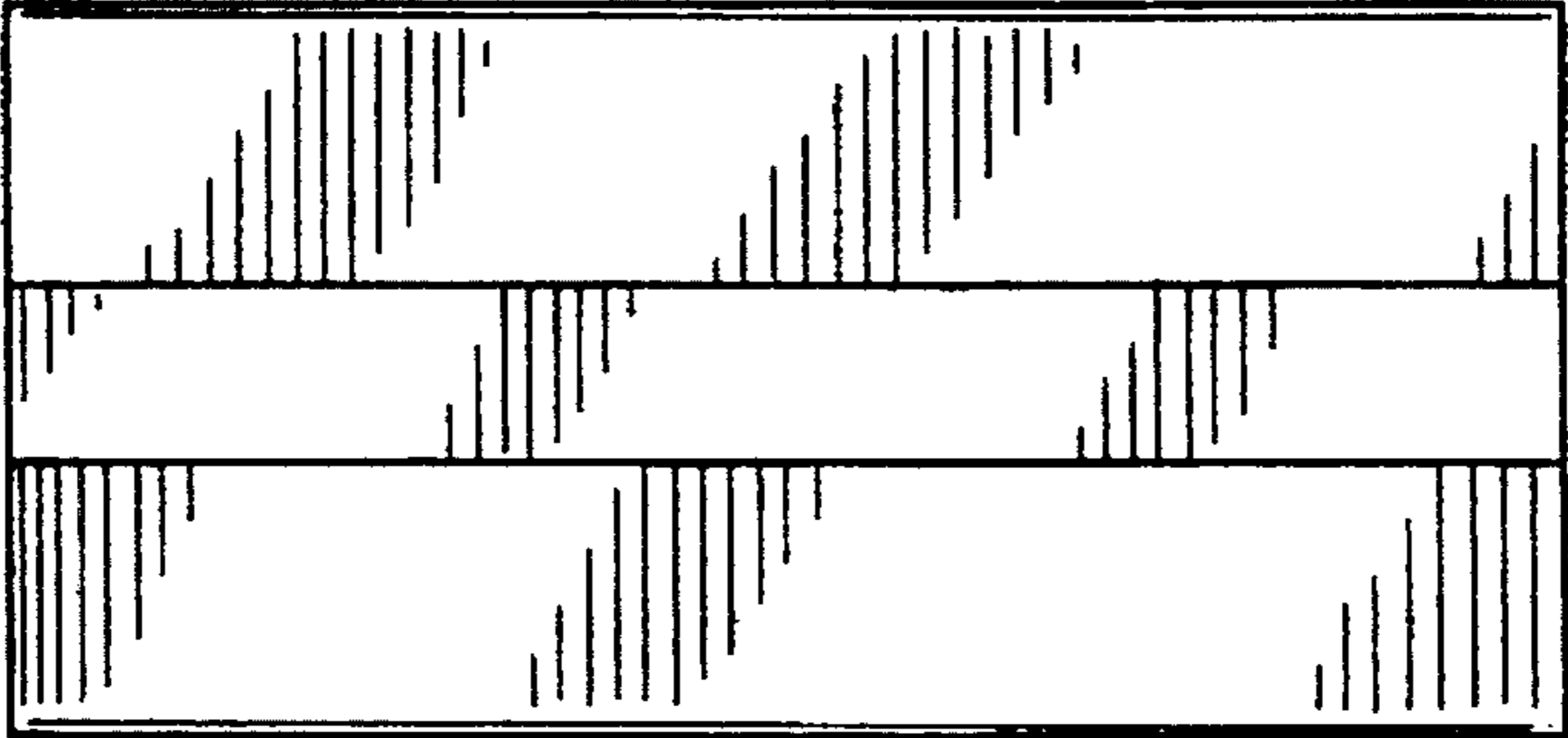


FIG. 4

