



US00D370422S

United States Patent [19] Libby

[11] Patent Number: **Des. 370,422**

[45] Date of Patent: ****Jun. 4, 1996**

[54] PLANE TRANSDUCER

4,343,198 8/1982 Ventrzejczyk 73/862.042

[75] Inventor: **Alan R. Libby**, Plainfield, Ill.

Primary Examiner—Antoine Duval Davis
Attorney, Agent, or Firm—Marshall, O’Toole, Gerstein,
Murray & Borun

[73] Assignee: **Chicago Bridge and Iron Technical Services Company**, Oak Brook, Ill.

[**] Term: **14 Years**

[57] **CLAIM**

The ornamental design for a plane transducer, as shown and described.

[21] Appl. No.: **31,063**

[22] Filed: **Nov. 16, 1994**

DESCRIPTION

[52] U.S. Cl. **D10/83; D10/94**

[58] Field of Search D10/83, 84, 94;
73/862.01, 862.041, 862.042, 862.043,
862.044, 862.045

FIG. 1 is a top view of a plane transducer embodying my novel design;
FIG. 2 is a bottom view thereof;
FIG. 3 is a front elevational view thereof;
FIG. 4 is a rear elevational view thereof; and,
FIG. 5 is a perspective view taken from the front and right side thereof.

[56] **References Cited**

U.S. PATENT DOCUMENTS

D. 348,616 7/1994 Apigian et al. D10/83 X

1 Claim, 3 Drawing Sheets

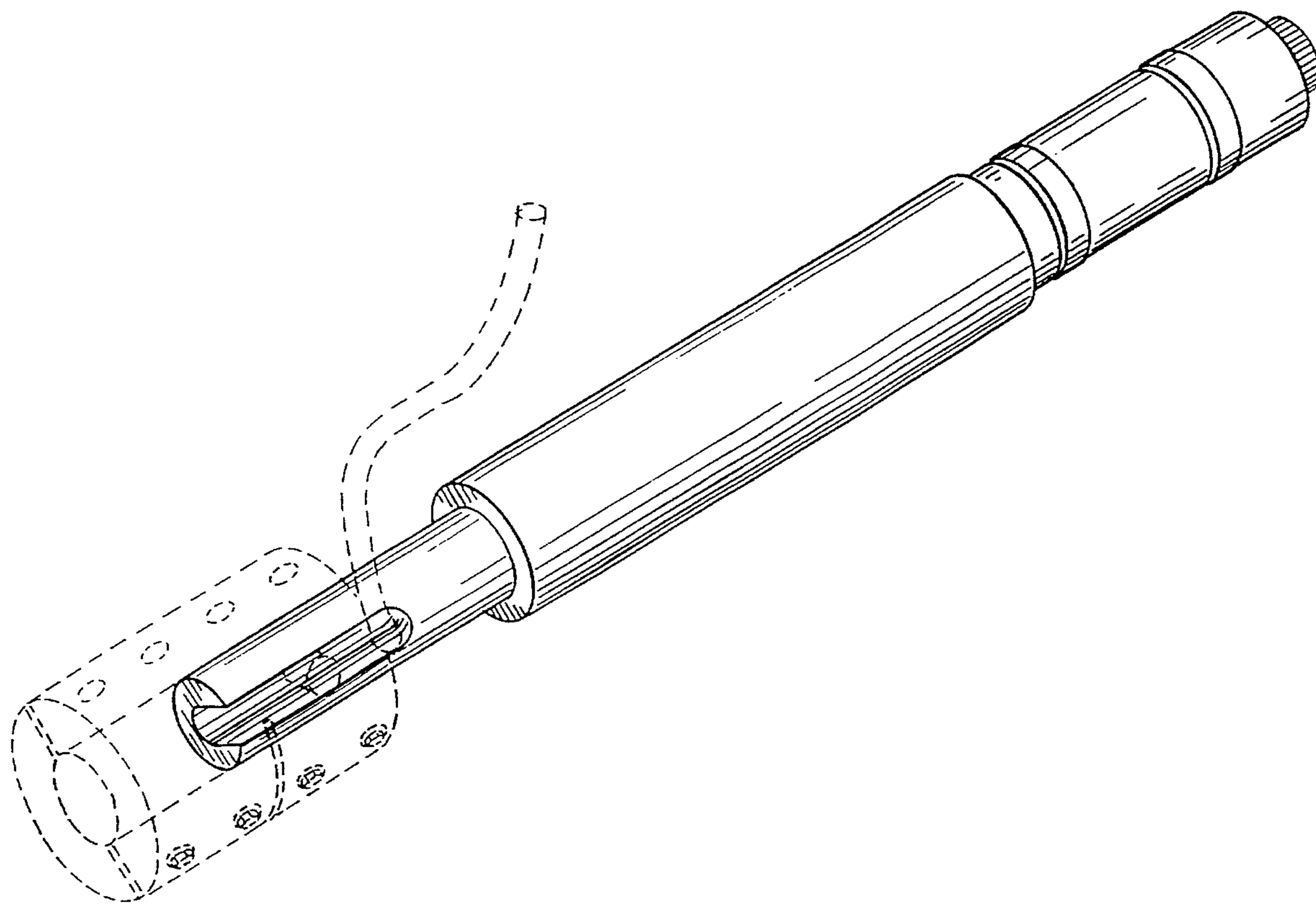


FIG. 1

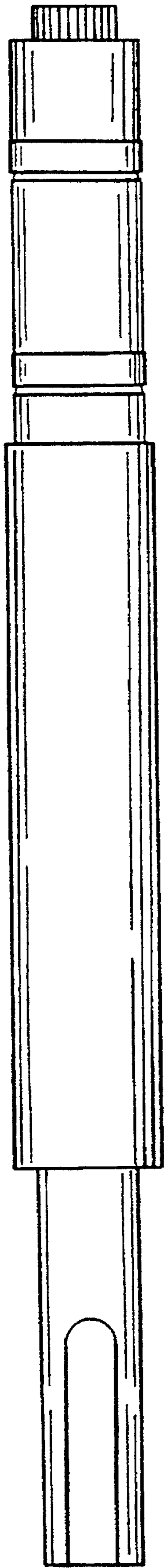


FIG. 4

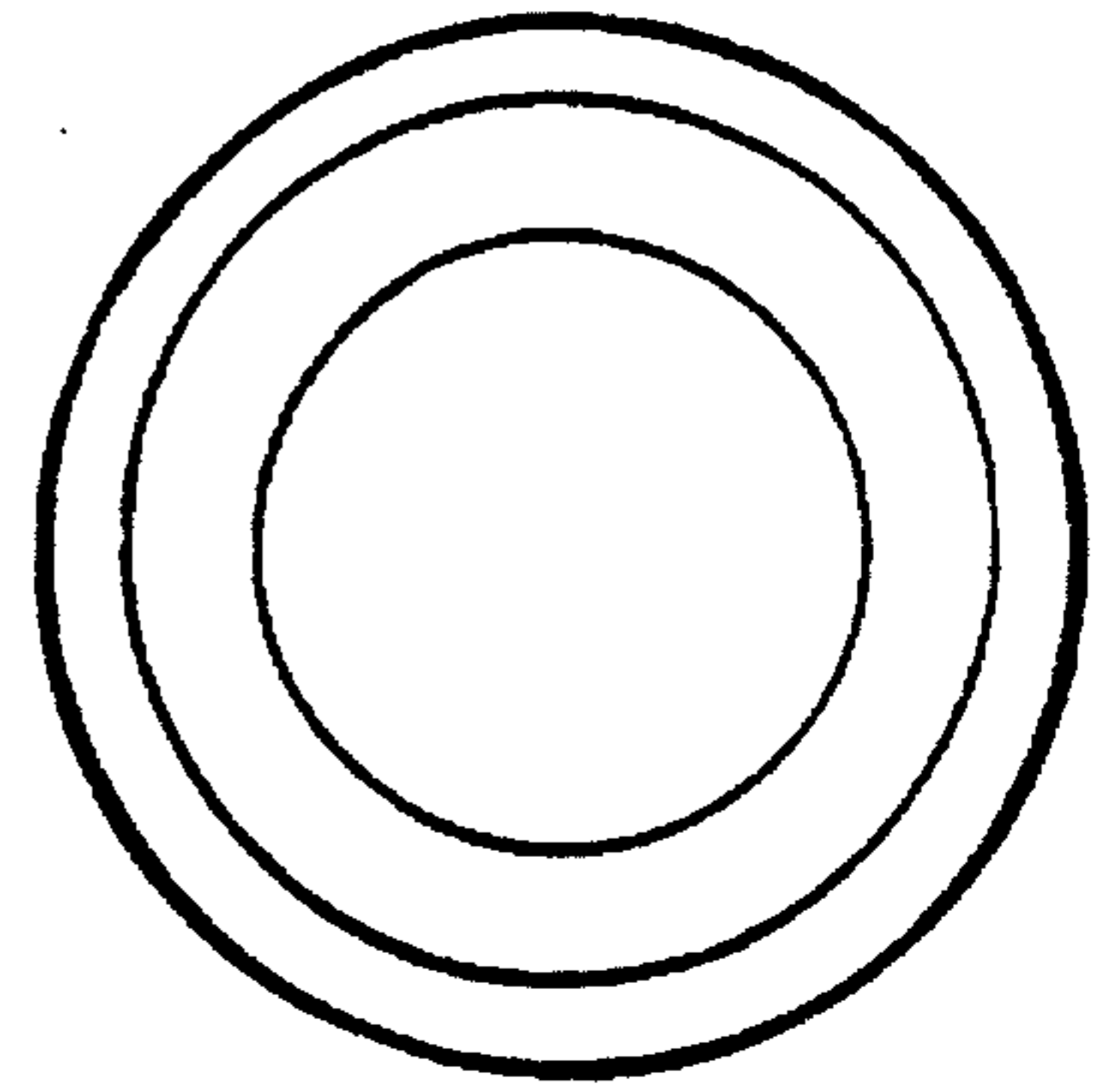
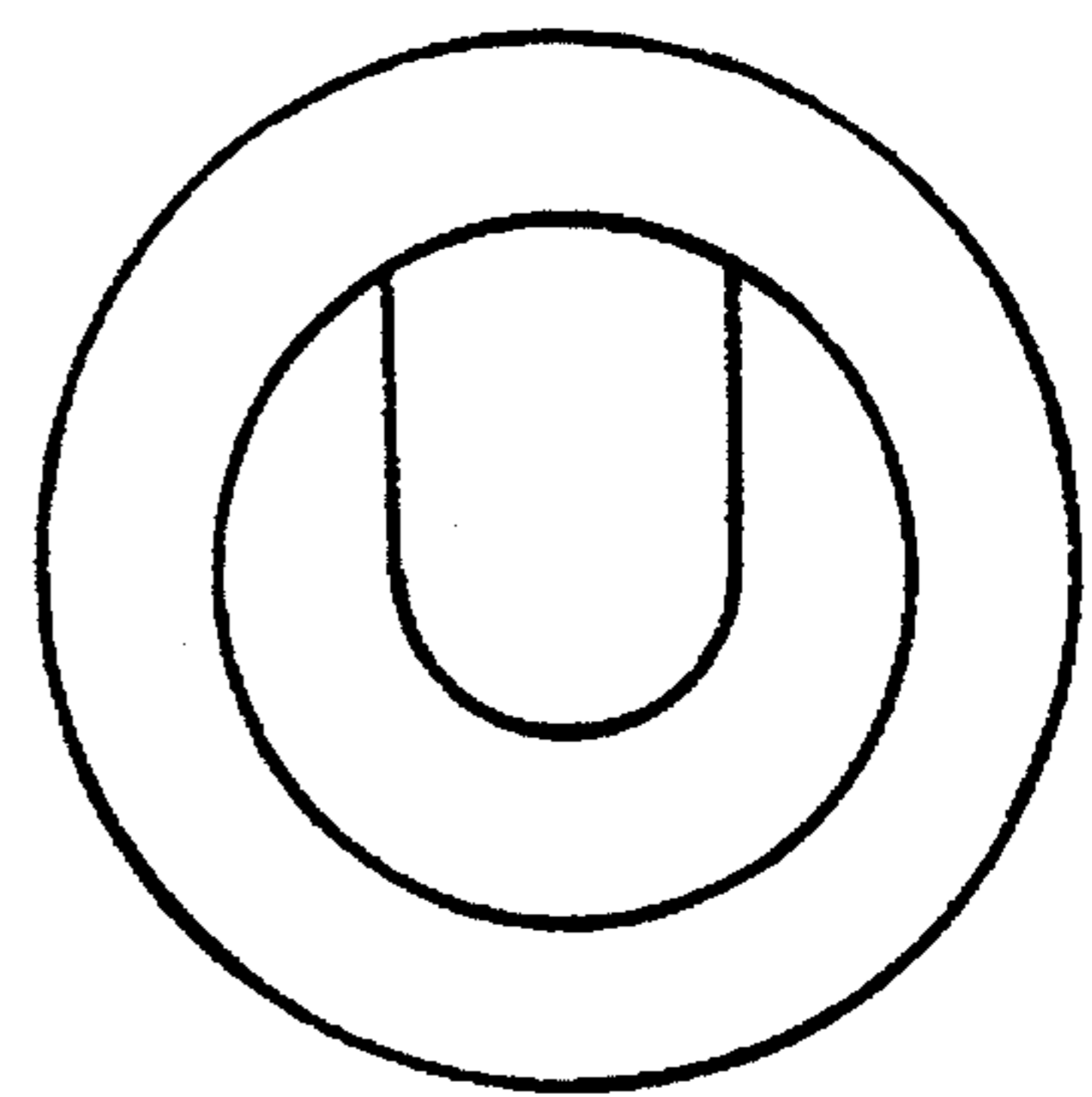


FIG. 3



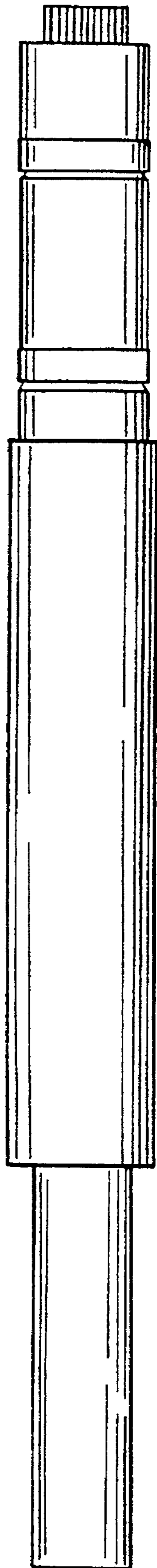


FIG. 2

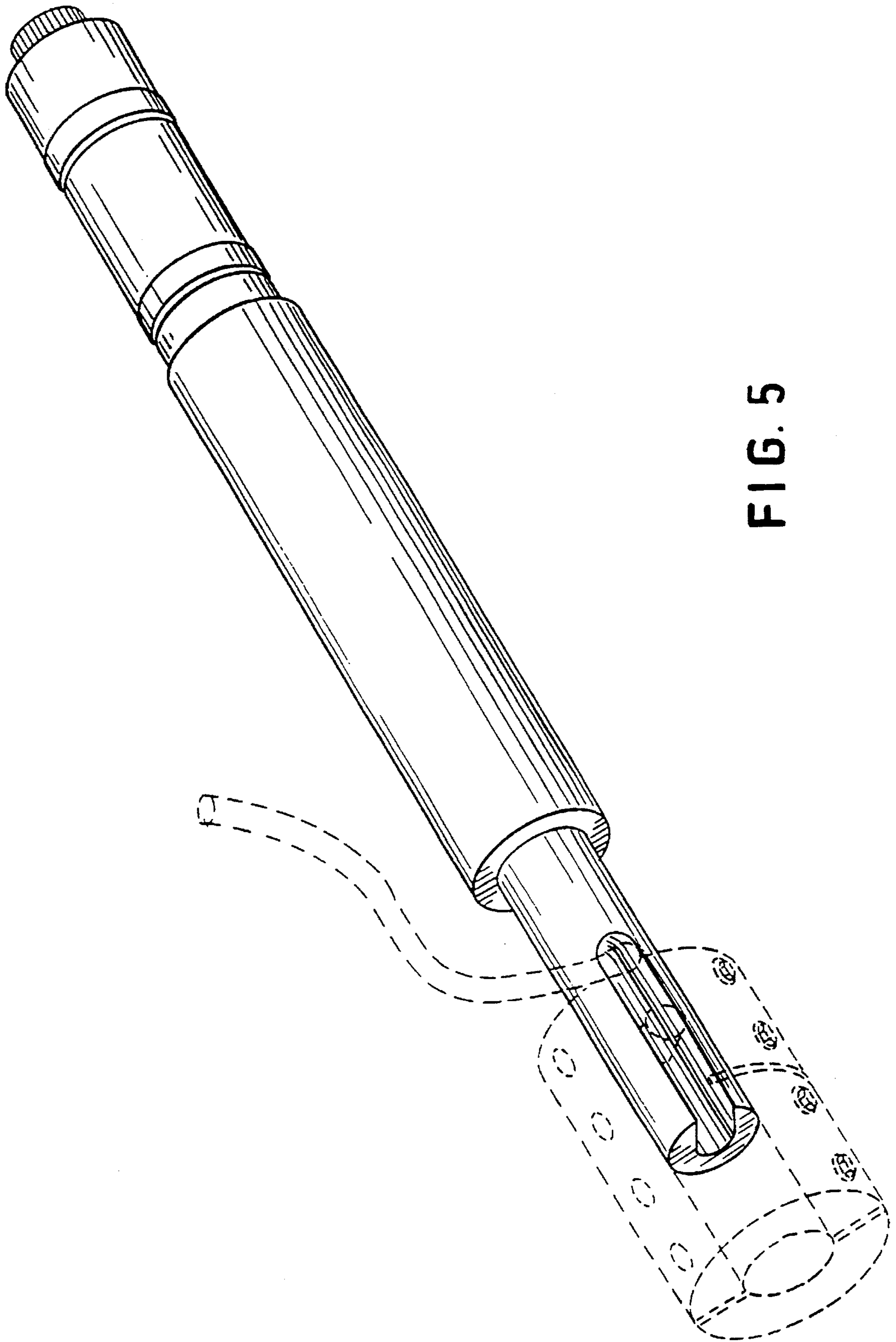


FIG. 5