



US00D370421S

United States Patent [19] Tucker

[11] Patent Number: **Des. 370,421**

[45] Date of Patent: ****Jun. 4, 1996**

[54] **ADJUSTABLE MEASURING SCOOP**

[75] Inventor: **Terence Tucker**, Monarch Beach, Calif.

[73] Assignee: **Calico Industries, Inc.**, San Clemente, Calif.

[**] Term: **14 Years**

[21] Appl. No.: **36,639**

[22] Filed: **Mar. 23, 1995**

[52] U.S. Cl. **D10/46.3; D7/691**

[58] Field of Search **D7/643, 644, 653, D7/691; D10/46.2, 46.3; 73/426-429; 30/324-328; 294/55**

[56] **References Cited**

U.S. PATENT DOCUMENTS

D. 163,681	6/1951	Cottrell	D10/46.3
D. 253,869	1/1980	Wells .	
D. 344,686	3/1994	Waterrings	D10/46.2
2,034,733	3/1936	Wilkins .	
2,389,530	11/1945	Miner	73/426
2,396,943	3/1946	Frank	73/429

2,496,268	2/1950	Chester	73/429
2,555,956	6/1951	Chester	73/429
2,569,703	10/1951	Weiland	73/429
2,626,526	1/1953	Chester	73/429
2,697,353	12/1954	Setecka	73/429
2,854,849	10/1958	Setecka	73/429
3,690,182	9/1972	Rodriguez	73/429
3,798,975	3/1974	Horst	73/429
5,325,717	7/1994	Robbins et al.	73/429

FOREIGN PATENT DOCUMENTS

649068 1/1951 United Kingdom .

Primary Examiner—Terry A. Wallace

Attorney, Agent, or Firm—Stetina Brunda & Buyan

[57] **CLAIM**

The ornamental design for a adjustable measuring scoop, as shown and described.

DESCRIPTION

FIG. 1 is a top, front, right side perspective view of an adjustable measuring scoop showing my new design; and, FIG. 2 is a bottom, rear, left side perspective view thereof.

1 Claim, 1 Drawing Sheet

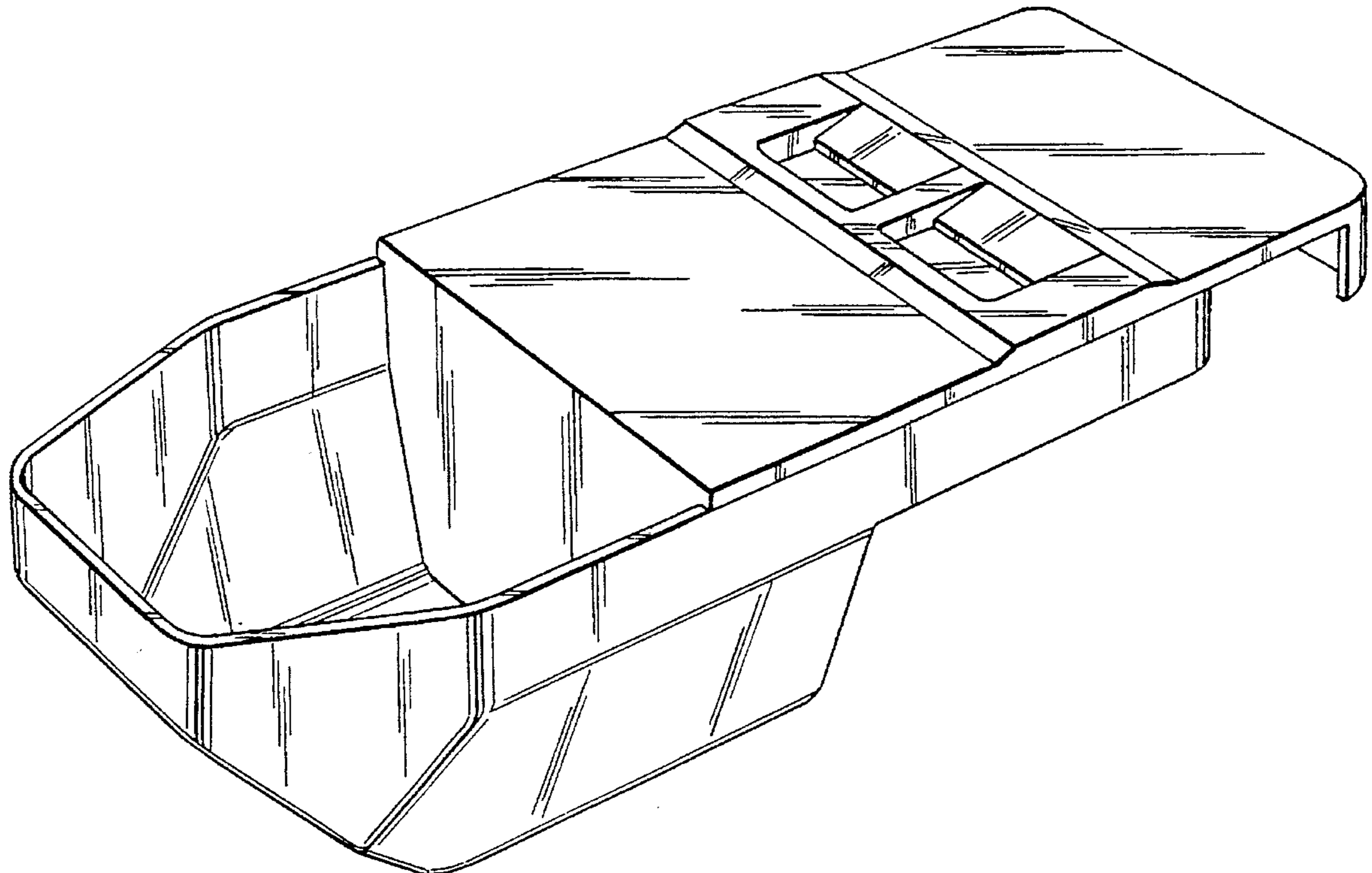


Fig. 1

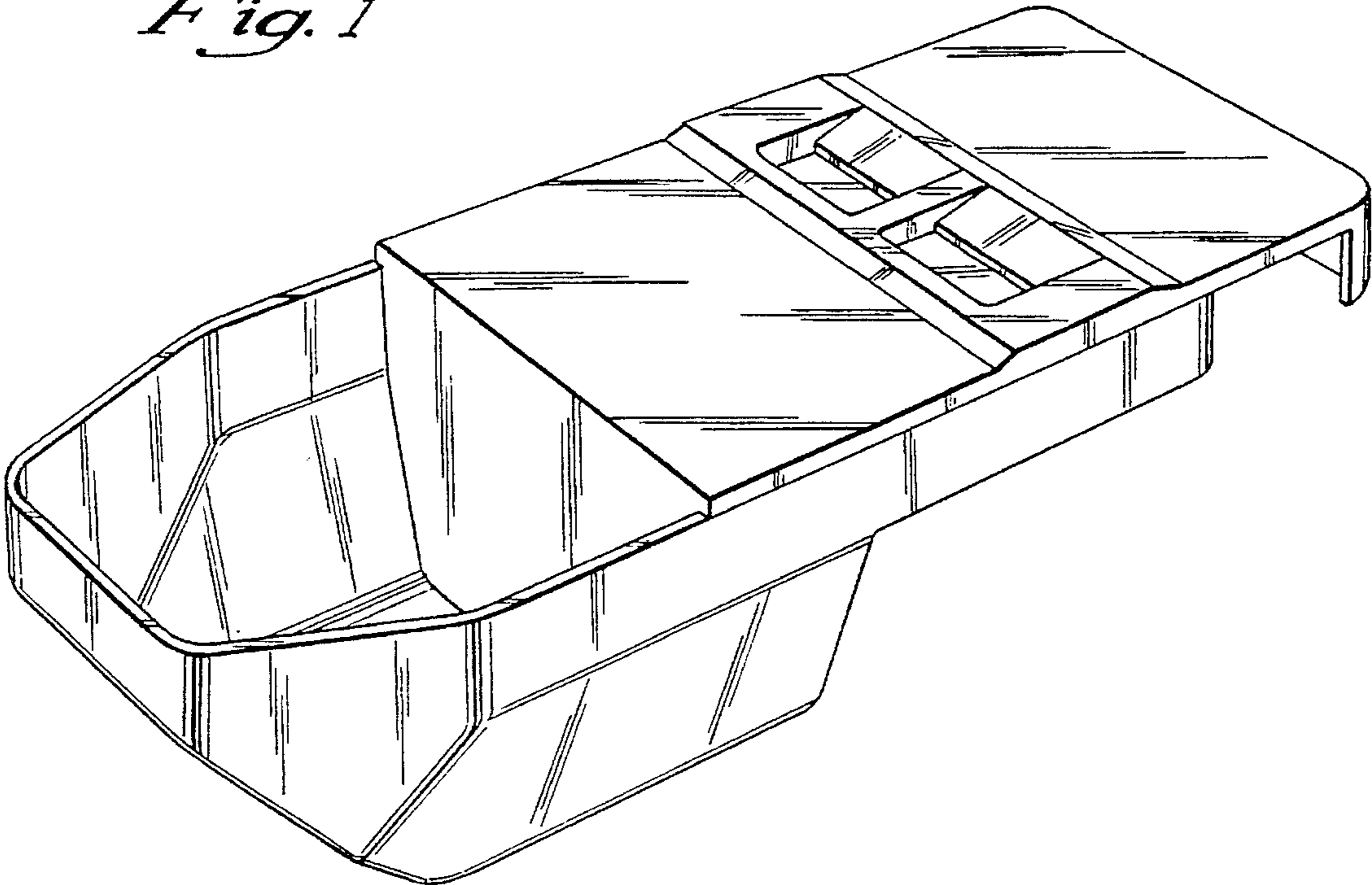


Fig. 2

