



US00D370419S

**United States Patent** [19]  
**Helgesen et al.**

[11] **Patent Number:** **Des. 370,419**  
[45] **Date of Patent:** **\*\*Jun. 4, 1996**

[54] **CLOCK**

D. 354,236 1/1995 Sugano ..... D10/28

[75] Inventors: **John P. Helgesen**, Athens; **Wendell Wilson**, Atlanta, both of Ga.

**OTHER PUBLICATIONS**

*Best Cat.* 1982/1983-p. 275-Clock #13 at center.

[73] Assignee: **GTC Properties, Inc.**, Wilmington, Del.

*Primary Examiner*—Nelson C. Holtje  
*Attorney, Agent, or Firm*—Jones, Day, Reavis & Pogue

[\*\*] Term: **14 Years**

[57] **CLAIM**

The ornamental design for a clock, as shown and described.

[21] Appl. No.: **37,946**

**DESCRIPTION**

[22] Filed: **Apr. 25, 1995**

[52] **U.S. Cl.** ..... **D10/28**

FIG. 1 is a perspective view of a clock showing my new design;

[58] **Field of Search** ..... D10/1-40, 122-132;  
368/276-277, 285, 316-317

FIG. 2 is a top plan view thereof;

FIG. 3 is a front elevational view thereof;

FIG. 4 is a rear elevational view thereof; and,

FIG. 5 is a left side elevational view thereof, the right side view being a mirror image thereto.

The bottom of the clock is flat and unornamented.

[56] **References Cited**

**U.S. PATENT DOCUMENTS**

- D. 92,677 7/1934 Rainbault ..... D10/28 X
- D. 107,039 11/1937 Green ..... D10/28
- D. 323,467 1/1992 Takashima ..... D10/28

**1 Claim, 3 Drawing Sheets**

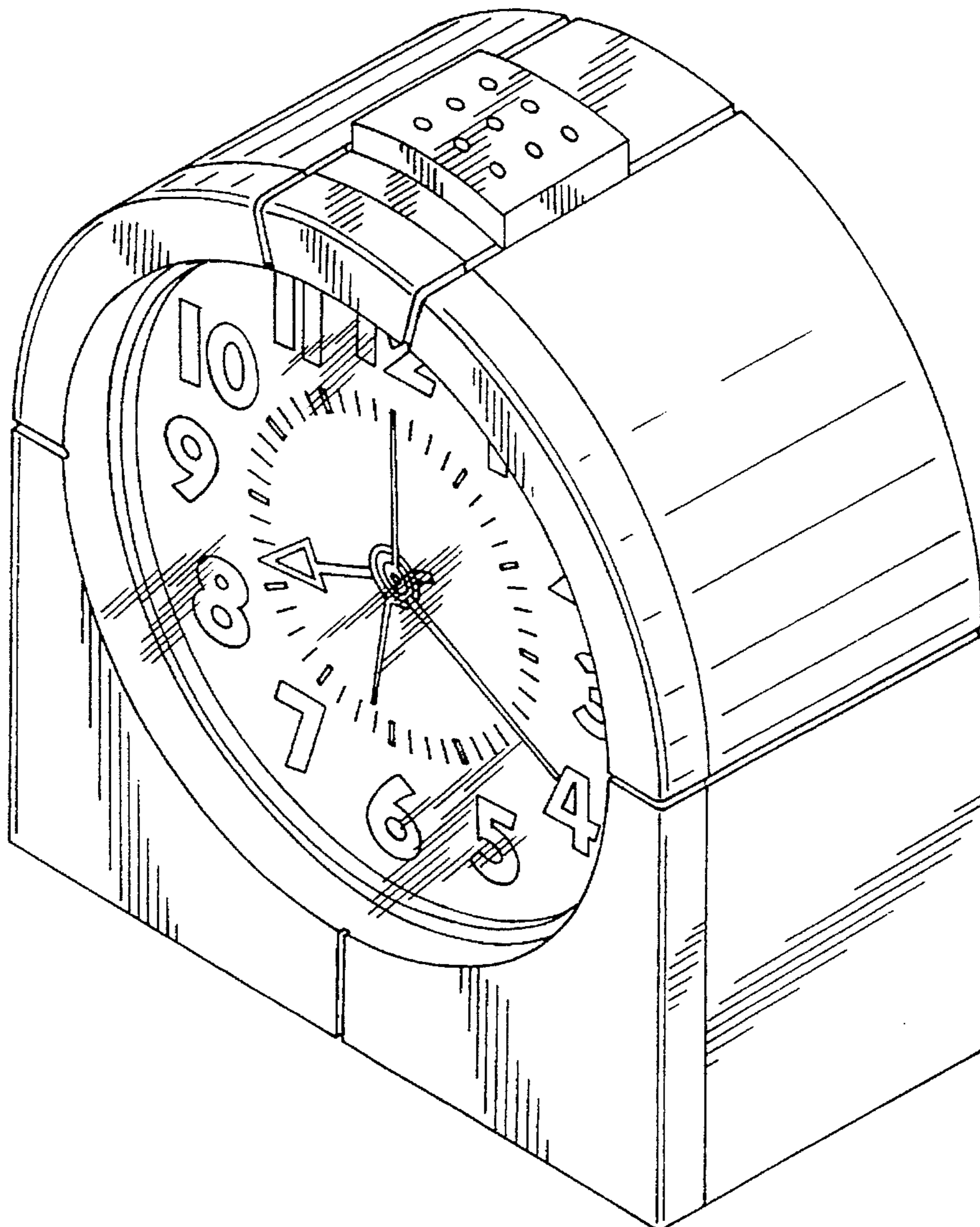


FIG. 1

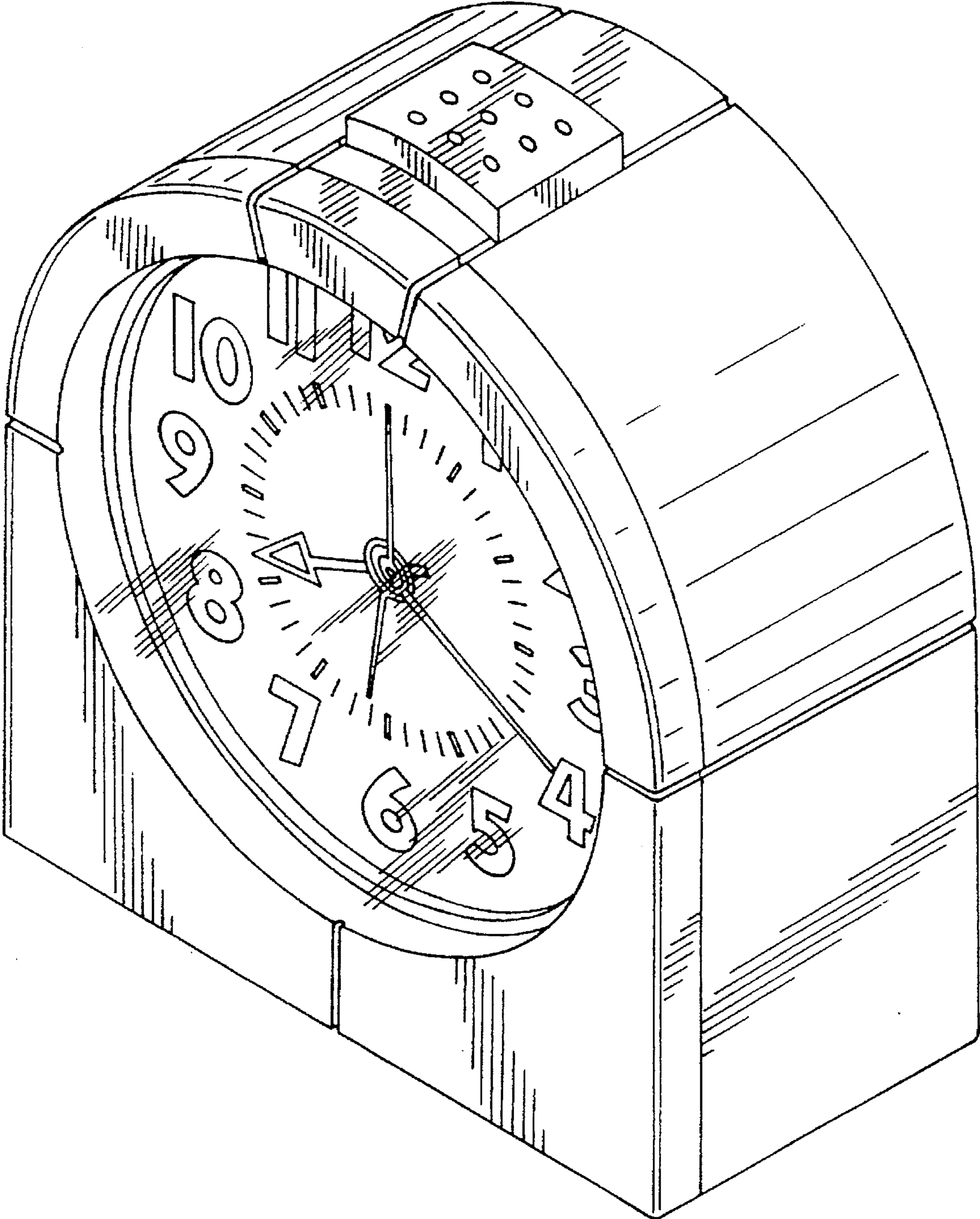


FIG. 2

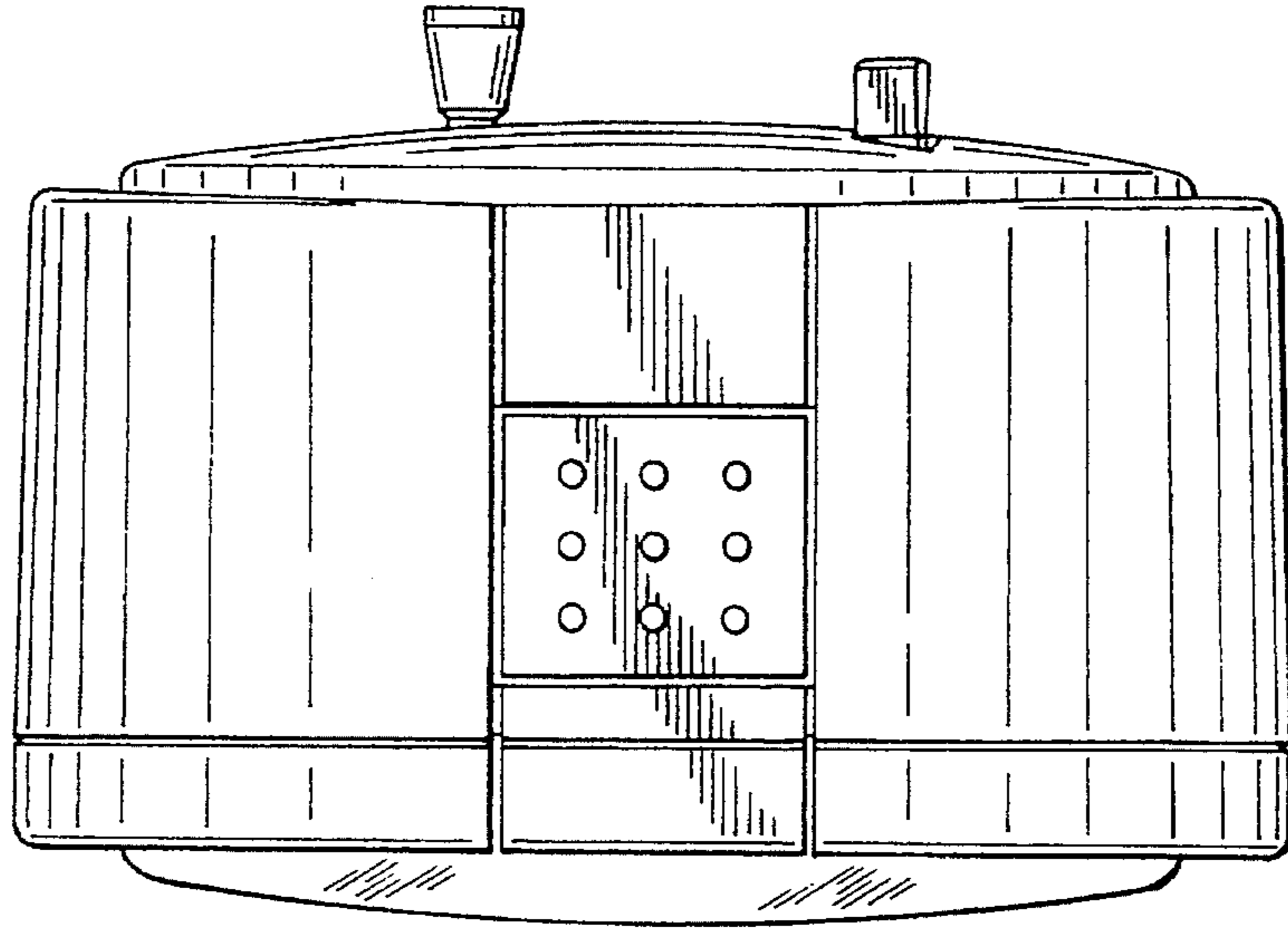


FIG. 3

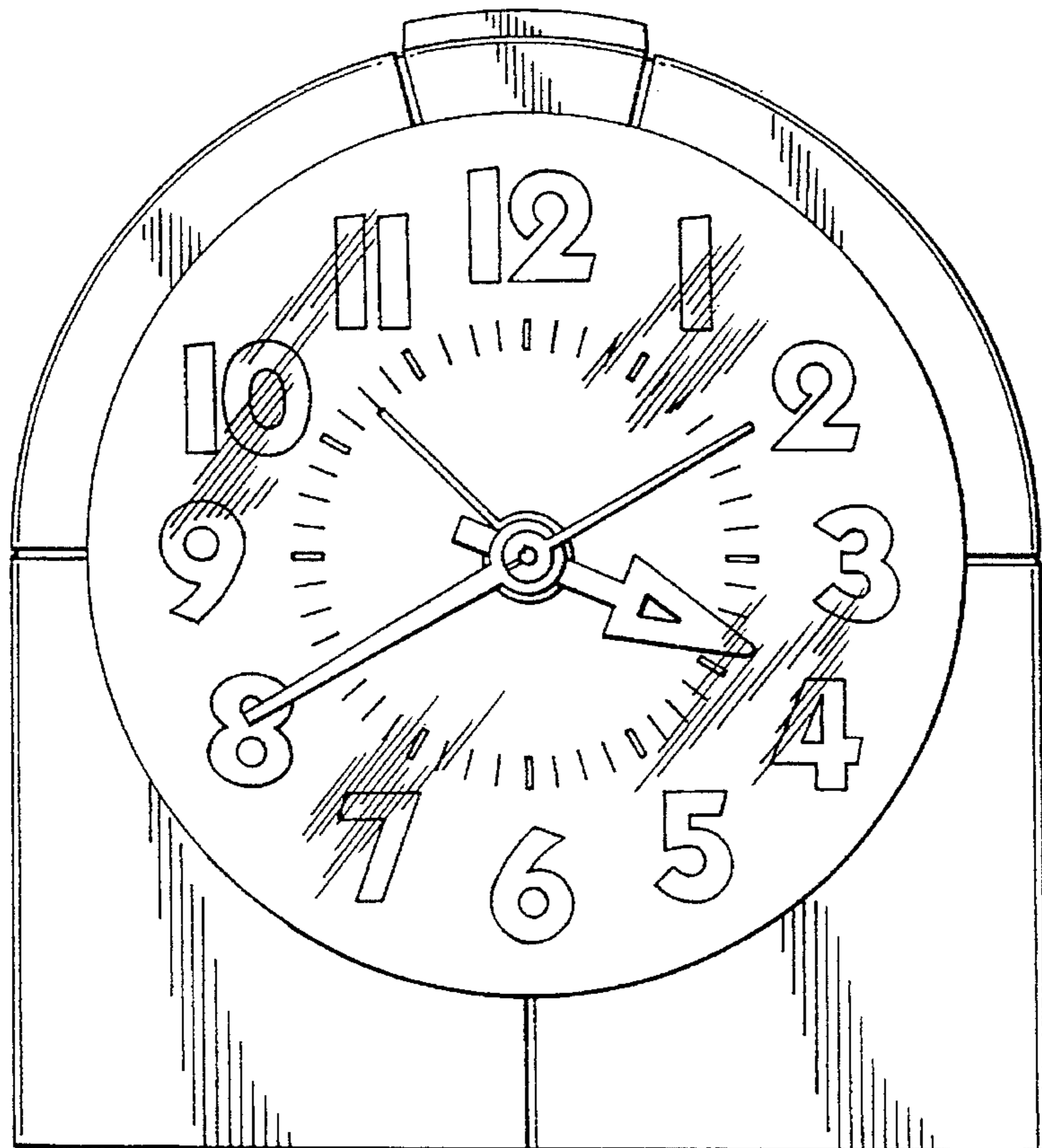


FIG. 4

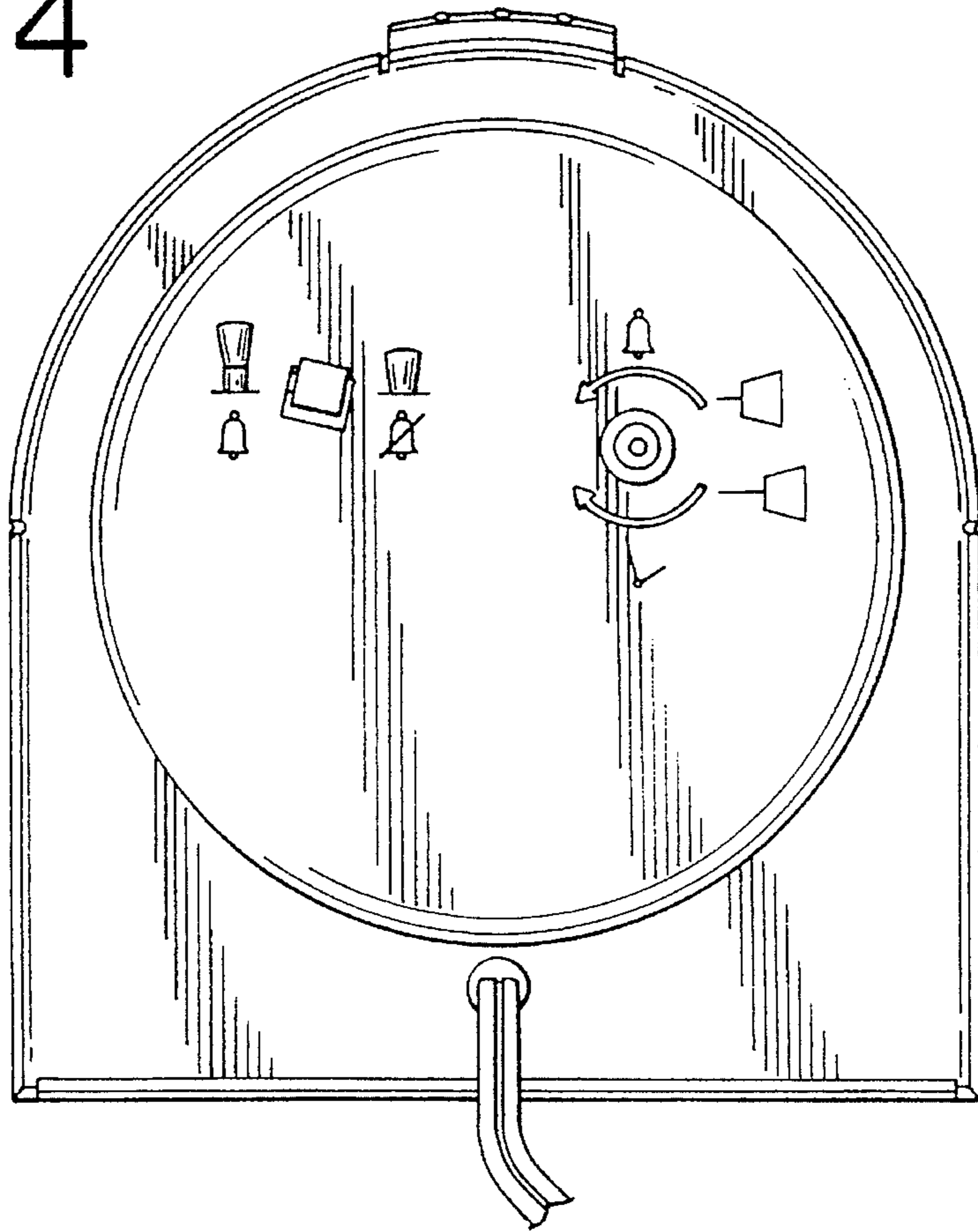


FIG. 5

